

CAT ALOGUE

DISec
DEFENDS THE FUTURE

SISTEMI DI SICUREZZA PER CASA E AUTOMOTIVE // HOME AND AUTOMOTIVE SECURITY SYSTEMS

VEDI CATALOGO DISECTRONIC
SEE DISECTRONIC CATALOG

MOTORLOCK

ENTRA IN CASA CON UN **CLICK** PROTEGGITI CON **MOTORLOCK**

la nuova motorizzazione brushless
per serrature a cilindro europeo

ENTER THE HOUSE WITH A **CLICK** PROTECT YOURSELF WITH **MOTORLOCK**

the new brushless motor
for the European cylinder lock



motorizzazione controllabile con
motorization controllable with

smartphone | tastiera | keyfob | bridge | sistemi di terze parti / third party systems





● VLOCK



● KEYBOX



● MOTORCLICK



● FINGERPRINT



● KEYPAD



● GLOCK

3
 3G, 74-76, 78, 80, 217, 220
 3G2EB, 77
 3G2EBF, 79
 3G2F25, 78
 3G2K25D1, 145
 3G2M, 77
 3G2M25, 75
 3G2MB, 77
 3G2MB25, 75
 3G2MF, 79
 3G2MM, 77
 3G2MMB, 77
 3G2MMF, 79
 3G2Q, 77
 3G2Q25, 143
 3G2QB, 77
 3G2QB25, 143
 3G2QF, 79
 3G2ST, 77
 3G2STB, 77
 3G2STF, 79
 3G2T, 77
 3G2TB, 77
 3G2TF, 79
 3G2W, 77
 3G2W25, 144
 3G2W25D1, 145
 3G2WB, 77
 3G2WB25, 144
 3G2WF, 79
 3G2Z, 80-81
 3G2Z30, 80
 3G2ZK, 80
 3G2ZW, 80
 3G3EB, 77
 3G3EBF, 79
 3G3F25, 78
 3G3K25D1, 145
 3G3M, 75, 77
 3G3MB, 75, 77, 89
 3G3MF, 79
 3G3MM, 77
 3G3MMB, 77
 3G3MMF, 79
 3G3Q, 77
 3G3Q25, 143
 3G3QB, 77
 3G3QB25, 143
 3G3QF, 79
 3G3ST, 77
 3G3STB, 77
 3G3STF, 79
 3G3T, 77
 3G3TB, 77
 3G3TF, 79
 3G3W, 77
 3G3W25, 144
 3G3W25D1, 145
 3G3WB, 77
 3G3WB25, 144
 3G3WF, 79
 3G3Z, 81
 3G3Z30, 80
 3G3ZK, 81
 3G3ZW, 81
 3G8EB, 77
 3G8EBF, 79
 3G8F25, 78
 3G8M, 77
 3G8MB, 77
 3G8MF, 79
 3G8MM, 77
 3G8MMB, 77
 3G8MMF, 79
 3G8Q, 77
 3G8Q2001, 143
 3G8QB, 77
 3G8QB2001, 143
 3G8QF, 79
 3G8ST, 77
 3G8STB, 77
 3G8STF, 79
 3G8T, 77
 3G8TB, 77
 3G8TF, 79
 3G8W, 77
 3G8W2001, 144
 3G8WB, 77
 3G8WB2001, 144

3G8WF, 79
 3G85ST, 220
 3G216D1QR, 250
 3G216D1R, 250
 3G220, 76, 187, 191, 197, 201, 210-211
 3G225, 76, 187, 191, 197, 201, 210-211
 3G235, 76, 187, 191, 197, 201, 210-211
 3G320, 76, 195, 199
 3G325, 76, 195, 199
 3G335, 76, 195, 199
 3G820, 76, 191, 197, 201
 3GDM15, 232
 3GDM15P, 232
 3GDM15ST, 233

4
 4GN, 70-72, 80, 121, 248
 4GN2EB, 73
 4GN2K25D1, 145
 4GN2M, 73
 4GN2M25, 71
 4GN2MB, 71, 73
 4GN2MB25, 71
 4GN2MM, 73
 4GN2MMB, 73
 4GN2Q, 73
 4GN2Q25, 143
 4GN2QB, 73
 4GN2QB25, 143
 4GN2ST, 73
 4GN2STB, 73
 4GN2STB8, 73
 4GN2T, 73
 4GN2TB, 73
 4GN2W, 73
 4GN2W25, 144
 4GN2W25D1, 145
 4GN2WB, 73
 4GN2WB25, 144
 4GN2Z, 80-81
 4GN2Z35, 80
 4GN2ZK, 80
 4GN2ZW, 80
 4GN3EB, 73
 4GN3K25D1, 145
 4GN3M, 73
 4GN3M25, 71
 4GN3MB, 73
 4GN3MB25, 71
 4GN3MM, 73
 4GN3MMB, 73
 4GN3Q, 73
 4GN3Q25, 143
 4GN3QB, 73
 4GN3QB25, 143
 4GN3ST, 73
 4GN3STB, 73
 4GN3T, 73
 4GN3TB, 73
 4GN3W, 73
 4GN3W25, 144
 4GN3W25D1, 145
 4GN3WB, 73
 4GN3WB25, 144
 4GN3Z, 81
 4GN3Z35, 80
 4GN3ZK, 81
 4GN3ZW, 81
 4GN8EB, 73
 4GN8M, 73
 4GN8MB, 73
 4GN8MM, 73
 4GN8MMB, 73
 4GN8Q, 73
 4GN8QB, 73
 4GN8ST, 73
 4GN8STB, 73
 4GN8T, 73
 4GN8TB, 73
 4GN8W, 73
 4GN8WB, 73
 4GN220, 72, 187, 191, 197, 201, 210-211
 4GN225, 72, 187, 191, 197, 201, 210-211
 4GN235, 72, 187, 197, 201, 210-211
 4GN320, 72, 195, 199
 4GN325, 72, 195, 199
 4GN335, 72, 195, 199
 4GN825, 72, 191, 197, 201
 4GN2355, 191

A
 A3FRG, 311
 A0011, 275
 A0035, 143-149, 151-152, 171, 255, 264, 275
 A0036, 183, 285, 289-290, 292-295, 393
 A0045, 183, 285, 289-290, 292-295, 393
 A0049, 146, 171, 264
 A0056, 396
 A0059, 163, 259
 A0123, 317
 A0126, 396
 A0128, 396
 A0210, 332-333
 A0211, 308, 313
 A0212, 308, 312
 A0231, 159
 A0241, 395
 A0243, 119
 A0257, 216-217
 A0258, 333
 A0260, 314
 A0261, 315
 A0284, 285-286, 289-290, 292-295, 393
 A0285, 285-286, 289-290, 292-295, 393
 A0326, 171, 264
 A0341, 171, 264
 A0344, 396
 A0353, 97, 171, 251, 264
 A0376, 312
 A0377, 332
 A0378, 313
 A0397, 26, 46, 52, 58, 159
 A0402, 317
 A0409, 319
 A0410, 160
 A0412, 56-57, 213
 A0412L, 57
 A0444, 315
 A0454, 396
 A0455, 171, 264
 A0456, 246
 A0457, 97, 171, 251, 264
 A0464, 395
 A0488, 308, 314
 A0511, 396
 A0512, 396
 A0535, 202-203, 268, 275
 A0542, 396
 A0545, 66
 A0553, 317
 A0554, 268
 A0591, 152, 213
 A0592, 152, 213
 A0660, 165
 A0668, 316
 A0707, 305, 395
 A0709, 305, 395
 A0716, 214
 A0717, 161
 A0718, 159
 A0766, 393
 A0779, 160
 A0795, 66
 A0796, 66
 A0811, 395
 A0874, 160
 A0875, 160
 A0877, 167
 A0924, 61
 A0940, 394
 A0984, 393
 A0985, 393
 A0986, 61
 A1009, 118, 269, 394
 A1045, 164, 166
 A1046, 122-129, 131-134, 136, 159-161, 164-168
 A1056, 57, 214
 A1063, 57, 213
 A1067, 61
 A1103, 165
 A1104, 160
 A1105, 259
 A1106, 259
 A1120, 365
 A1133, 225, 242-244
 A1154, 394
 A1158, 165
 A1159, 164
 A1183, 393

A1184, 165
 A1186, 160
 A1187, 119
 A1188, 305, 395
 A1243, 164, 225-226
 A1244, 146, 171, 264
 A1253, 171, 264
 A1257, 61
 A1261, 225, 242-244
 A1267, 164
 A1276, 164, 173
 A1323, 276
 A1324, 276
 A1350, 276
 A1351, 276
 A1353, 137, 238, 241, 282-283, 290, 299
 A1354, 137, 238, 241, 282-283, 290, 299
 A1360, 276
 A1361, 276
 A1383, 165
 A1384, 165
 A1387, 66
 A1396, 66
 A1397, 66
 A1423, 365
 A1424, 393
 A1432, 66
 A1446, 394
 A1453, 165
 A1454, 165
 A1472, 182
 A1475, 166
 A1489, 395
 A1502, 305, 395
 A1503, 123, 134, 159
 A1504, 159
 A1519, 119, 305, 395
 A1526, 108
 A1534, 106-117, 394
 A1535, 106-117, 394
 A1537, 171, 264
 A1538, 164
 A1539, 164
 A1540, 164
 A1541, 164
 A1559, 10, 18, 30, 40, 62, 72, 76, 84, 90, 134
 A1561, 18, 20, 22, 24, 30, 32, 34, 36, 40, 138
 A1565, 155, 213
 A1566, 213-215
 A1586, 305
 A1594, 204
 A1595, 204
 A1596, 204
 A1597, 204
 A1601, 160
 A1602, 160
 A1603, 165
 A1608, 180
 A1609, 165
 A1612, 10, 18, 30, 62, 72, 76, 84, 90
 A1612TK, 10, 20, 22, 24, 32, 34, 36, 78, 92
 A1634, 161
 A1635, 161
 A1663, 54, 58, 160
 A1699, 143-145, 147-149, 151-152, 255
 A1700, 161
 A1701, 167
 A1719, 55
 A1741, 275
 A1750, 348
 A1751, 348
 A1758, 182
 A1766, 316
 A1767, 316
 A1768, 316
 A1774, 228
 A1801, 341-343
 A1804, 341-343
 A1813, 122, 124-129, 131-133, 136, 161
 A1850, 119
 A1870, 161
 A1872, 161
 A1873, 341-342
 A1876, 138
 A1877, 138
 A1880, 138
 A1889, 186, 194-197
 A1893, 181
 A1894, 181
 A1899, 173
 A1901, 176

A1902, 176	A2303, 191	A2757, 64	A3302, 209
A1903, 174, 177	A2304, 176, 191	A2758, 64	A3326, 119, 305, 395
A1906, 160	A2326, 188, 199, 201	A2763, 213	A3353, 131-132
A1911, 181	A2350, 166	A2766, 66	A3354, 131-132
A1912, 173	A2351, 166	A2776, 179	A3355, 131
A1914, 173	A2359, 174	A2777, 179	A3358, 103
A1915, 173	A2360, 174	A2778, 179	A3359, 103
A1916, 173	A2363, 176, 191	A2779, 179	A3375, 63, 213
A1933, 169	A2383, 175, 201	A2782, 193	A3396, 130
A1934, 169	A2385, 176	A2783, 174, 193	A3397, 130
A1935, 226	A2392, 184	A2786, 66	A3398, 130
A1936, 10, 18, 30, 62, 72, 76, 84, 90	A2393, 184	A2795, 209	A3441, 119
A1936TK, 10,20,22,24,32,34,36,78,92	A2407, 184	A2796, 209	A3442, 305
A1938, 167	A2408, 184	A2801, 111, 174, 193	A3465, 174, 187
A1940, 173	A2409, 185	A2815, 10, 20, 22, 24, 32, 34, 36, 40, 63,	A3509, 172
A1944, 174	A2414, 191, 201	78, 92	A3510, 172
A1962, 184	A2418, 202-203	A2816, 10, 20, 22, 24, 32, 34, 36, 40, 63,	A3511, 187
A1964, 180	A2419, 203	78, 92	A3513, 309
A1982, 395	A2420, 202	A2820, 174, 187	A3517, 67
A1983, 185	A2422, 175	A2827, 262	A3542, 174, 187
A1984, 185	A2424, 261	A2831, 231	A3549, 143-145, 147-149, 151-152
A1985, 185	A2425, 261	A2886, 216	A3559, 123, 134, 168
A1989, 119	A2426, 261	A2889, 119	A3560, 168
A1992, 173	A2427, 163	A2891, 230	A3561, 168
A2007, 367	A2427N, 214	A2898, 106-109	A3564, 127-129
A2016, 181	A2429, 261	A2899, 106-109	A3565, 122, 124-129, 131-132, 136
A2032, 137	A2441, 185	A2900, 111, 114-117	A3579, 310
A2033, 174	A2442, 184	A2901, 111, 114-117	A3580, 310
A2035, 182	A2446, 166	A2902, 110, 112	A3583, 124-129
A2036, 182	A2449, 169	A2903, 110, 112	A3584, 124-129
A2037, 242	A2450, 216	A2917, 262	A3616, 99
A2038, 242-244	A2451, 166	A2930, 106-107, 110-112, 114-116	A3619, 341-343
A2040, 61	A2453, 316	A2931, 106, 109	A3657, 345
A2042, 161	A2454, 263	A2933, 126-127	A3657S, 345
A2069, 182	A2455, 176	A2934, 124, 128	A3658, 345
A2073, 10, 163	A2463, 176	A2935, 124-126	A3658S, 345
A2076, 180	A2464, 176	A2950, 179	A3659, 345
A2077, 182	A2465, 309, 311	A2951, 179	A3659S, 345
A2082, 10, 18, 30, 40, 62, 72, 76, 84, 90,	A2466, 309	A2957, 122	A3660, 345
122-126, 131-132, 134, 136	A2467, 176	A2958, 122	A3660S, 345
A2086, 225, 227, 237-238	A2472, 172	A2963, 119	A3661, 345
A2087, 227	A2479, 309	A3010, 67	A3661S, 345
A2089, 216	A2483, 175	A3011, 67	A3676, 122
A2090, 174	A2493, 181	A3017, 119	A3687, 125, 129
A2107, 56, 160	A2499, 180	A3018, 67, 119	A3726, 65
A2111, 169	A2500, 180	A3022, 107-109, 112, 114-115, 117	A3727, 65
A2112, 169	A2501, 180	A3029, 106-107, 110-112, 114-116	A3735, 65
A2114, 166, 169, 182	A2502, 180	A3030, 106, 109	A3737, 64
A2115, 174, 177, 188, 199, 201	A2503, 180	A3032, 122-126, 131-132, 134, 136	A3738, 65
A2117, 174	A2504, 180	A3043, 132, 136	A3740, 322
A2118, 175	A2505, 184	A3052, 66	A3749, 176
A2132, 175	A2508, 176	A3055, 176	A3750, 176
A2134, 175	A2509, 176	A3060, 11, 18, 30, 62, 72, 76, 84, 90	A3751, 176
A2135, 175	A2510, 161	A3060TK, 11, 20, 22, 24, 32, 34, 36, 63,	A3752, 174
A2136, 183, 263	A2511, 176	78, 92	A3769, 136
A2137, 183	A2519, 184	A3087, 268	A3770, 136
A2138, 183, 263	A2562, 212	A3088, 216	A3771P, 178
A2139, 183	A2563, 212	A3091, 184	A3772P, 178
A2140, 169	A2564, 212	A3092, 286	A3773P, 178
A2148, 183	A2565, 212	A3093, 286	A3774P, 178
A2160, 183	A2566, 212	A3094, 167	A3775P, 178
A2168, 238-239	A2572, 238, 304	A3095, 167	A3776P, 178
A2199, 11, 18, 30, 62, 72, 76, 84, 90	A2573, 238, 297, 304	A3101, 123	A3777P, 178
A2199TK, 11,20,22,24,32,34,36,78,92	A2578, 213, 215	A3103, 262	A3778P, 178
A2201, 171, 264	A2584, 309	A3118, 124-126	A3779P, 178
A2209, 30, 32, 40, 60	A2621, 176	A3171, 11, 18, 30, 62, 72, 76, 84, 90	A3784, 66
A2220, 137	A2622, 176	A3171TK, 11, 20, 22, 24, 32, 34, 36, 63,	A3788, 223, 235
A2221, 137	A2624, 309	78, 92	A3796, 143-145, 147-149, 151-152
A2234, 160	A2625, 309	A3185, 213	A3796, 143-145, 147-149, 151-152
A2235, 181	A2626, 309	A3195, 220, 232-233	A3798, 143-145, 147-149, 151-152
A2236, 184	A2627, 309, 311	A3213, 134	A3800, 211
A2237, 185	A2628, 309, 311	A3225, 134	A3801, 211
A2248, 173	A2629, 210	A3238, 175	A3802, 178
A2250, 180	A2630, 210	A3250, 119	A3803P, 178
A2261, 174	A2633, 213	A3251, 176	A3805, 211
A2262, 174	A2637, 353	A3252, 176	A3806, 211
A2263, 174	A2638, 353	A3254, 309	A3807, 211
A2264, 61	A2641, 166	A3264, 66	A3808, 211
A2266, 55	A2658, 123	A3265, 309	A3994P, 178
A2271, 174, 199, 201	A2660, 184	A3274, 291	A3995P, 178
A2272, 174	A2673, 173	A3275, 291	A3996P, 178
A2273, 174	A2695, 323	A3276, 291	A3997P, 178
A2277, 175	A2698, 10	A3277, 119	A4002, 162
A2283, 182	A2703, 166	A3281, 285-286, 289, 292-293	A4089, 67
A2284, 182	A2705, 176	A3292, 60	A4136, 67
A2285, 175	A2727, 10	A3293, 60	A4141, 67
A2286, 175	A2748, 224	A3295, 60	A4143, 162
A2287, 174	A2750, 205, 207	A3297, 167	A4144, 162
A2289, 175	A2752, 66	A3299, 167	A4151, 317
A2298, 175	A2755, 213	A3300, 167	A4248, 330
A2299, 174	A2756, 213	A3301, 167	A4251, 171, 264

A4279, 101
A4318, 330
A4319, 330
A4320, 330
A4321, 330
A4326, 101-102
A4329, 225
A4440, 67
A4441, 67
A4474, 310
A4479, 67
A4500, 326
A4501, 326
A4528, 135
A4529, 135
A4536, 67
A4595, 119
A4663, 64
A4667, 185
A4668, 185
A4699, 179
A4700, 179
A4743, 262
A4819, 211
A4906, 311
A4913, 173
AOP44, 271
AOP52, 271
AOP54, 271
AOP55, 271
AS2326A, 188
AS2326B, 188
AS2414A, 192
AS2414B, 192
AS2439A, 189
AS2439B, 189
AS2782A, 193
AS2782B, 193

B

BASIC, 50
BCRE01, 340
BD01, 258
BD16, 53
BD16RST, 261
BD28, 60
BD28AN, 31
BD28C, 60
BD28F, 60
BD28Q, 60
BD35, 57
BD36, 61
BD38AN, 31
BD54, 258
BD55, 55
BD57, 55
BD57K, 55
BD57W, 55
BD64, 259
BD64SK, 259
BD68, 50, 53
BD81, 55
BD81K, 55
BD81W, 55
BD87, 57
BD89, 61
BD92, 61
BD96, 57
BD99, 281, 296
BD99C, 296
BD100, 281, 296
BD100C, 296
BD120, 49
BD130, 49
BD131, 49
BD200, 41
BD200N, 29, 33
BD201, 41
BD201N, 33
BD201N25, 29
BD250, 39, 41
BD250N, 29, 31
BD250N25, 29
BD250Q, 31
BD250QN, 31
BD250W, 41
BD250WN, 31
BD251, 41
BD251N, 31
BD251N25, 29
BD251Q, 31
BD251QN, 31
BD251W, 31, 41
BD251WN, 31
BD260N, 31
BD261N, 31
BD270N, 31
BD271N, 31
BD290N, 31
BD291N, 31
BD300, 39, 41
BD300N, 29, 33
BD301, 39, 41
BD301N, 29, 33
BD320M, 37
BD320N, 37
BD320Q, 37
BD320ST, 37
BD320T, 37
BD320W, 37
BD321E, 37
BD321M, 37
BD321N, 37
BD321Q, 37
BD321ST, 37
BD321T, 37
BD321W, 37
BD350, 39, 41
BD350N, 29, 31
BD350Q, 31
BD350QN, 31
BD350W, 41
BD350WN, 31
BD351, 39, 41
BD351N, 29, 31
BD351Q, 31
BD351QN, 31
BD351W, 31, 41
BD351WN, 31
BD360N, 31
BD361N, 31
BD370N, 31
BD371N, 31
BD390N, 31
BD391N, 31
BD1625, 50
BD8932, 61
BD10800A, 62
BD10800B, 62
BD10800E, 62
BD10800MA, 62
BD10800MB, 62
BD10800QA, 62
BD10800QB, 62
BD10800STA, 62
BD10800STB, 62
BD10800TA, 62
BD10800TB, 62
BD10800WA, 62
BD10800WB, 62
BD12025, 49
BD12125, 49
BD20025, 39
BD20125, 39
BD25025, 39
BD25125, 39
BDF200, 41
BDF250W, 41
BDF300, 41
BDF350W, 41
BDF10800A, 63
BDF10800B, 63
BDF10800QA, 63
BDF10800QB, 63
BDF10800WA, 63
BDF10800WB, 63
BDS16, 51, 53
BDS35, 56
BDS57, 55
BDS57K, 55
BDS57W, 55
BDS61, 53
BDS68, 51, 53
BDS74, 57
BDS80, 55
BDS80K, 55
BDS80W, 55
BDS1625, 51
BDT28AN, 33
BDT38AN, 33
BDT210N, 33

BDT211N, 33
BDT250Q, 33
BDT250QN, 33
BDT250W, 41
BDT250WN, 33
BDT251QN, 33
BDT251W, 33, 41
BDT251WN, 33
BDT270N, 33
BDT271N, 33
BDT290N, 33
BDT291N, 33
BDT310N, 33
BDT311N, 33
BDT350Q, 33
BDT350QN, 33
BDT350W, 41
BDT350WN, 33
BDT351QN, 33
BDT351W, 41
BDT351WN, 33
BDT370N, 33
BDT371N, 33
BDT390N, 33
BDT391N, 33
BF200, 35
BF300, 35
BFE200, 42
BFE300, 42
BFE20025, 42
BFT28A, 35
BFT38A, 35
BFT210, 35
BFT250Q, 35
BFT250W, 35
BFT270, 35
BFT290, 35
BFT295, 43
BFT310, 35
BFT350Q, 35
BFT350W, 35
BFT370, 35
BFT390, 35
BFT395, 43
BFT29525, 43
BG84, 259
BG1000, 260
BG2100, 304
BG5800, 260
BG6400, 302
BG8000, 302
BG21006, 304
BG21008, 304
BG210010, 304
BG210012, 304
BG210014, 304
BG640010, 302
BG640012, 302
BG640014, 302
BG800006, 302
BG800008, 302
BG800010, 302
BG800012, 302
BG800014, 302
BK320, 25
BK320M, 25
BK320Q, 25
BK320ST, 25
BK320T, 25
BK320W, 25
BK321, 25
BK321E, 25
BK321M, 25
BK321Q, 25
BK321ST, 25
BK321T, 25
BK321W, 25
BKD28A, 19
BKD38A, 19
BKD250, 17, 19
BKD250Q, 19
BKD250W, 19
BKD251, 19
BKD251Q, 19
BKD251W, 19
BKD260, 19
BKD261, 19
BKD270, 19
BKD271, 19
BKD290, 19
BKD291, 19
BKD350, 17, 19
BKD350Q, 19
BKD350W, 19
BKD351, 17, 19
BKD351Q, 19
BKD351W, 19
BKD360, 19
BKD361, 19
BKD370, 19
BKD371, 19
BKD390, 19
BKD391, 19
BKD25025, 17
BKD25125, 17
BKEY02, 221
BKF28AD, 23
BKF38AD, 23
BKF200D, 23
BKF210D, 23
BKF250QD, 23
BKF250WD, 23
BKF270D, 23
BKF290D, 23
BKF300D, 23
BKF310D, 23
BKF350QD, 23
BKF350WD, 23
BKF370D, 23
BKF390D, 23
BKT28AD, 21
BKT38AD, 21
BKT200D, 21
BKT200D25, 17
BKT201D, 21
BKT201D25, 17
BKT210D, 21
BKT211D, 21
BKT250QD, 21
BKT250WD, 21
BKT251QD, 21
BKT251WD, 21
BKT270D, 21
BKT271D, 21
BKT290D, 21
BKT291D, 21
BKT300D, 17, 21
BKT301D, 17, 21
BKT310D, 21
BKT311D, 21
BKT350QD, 21
BKT350WD, 21
BKT351QD, 21
BKT351WD, 21
BKT370D, 21
BKT371D, 21
BKT390D, 21
BKT391D, 21
BMAR01, 341
BMAR01A18, 341
BMAR01B18, 341
BMAR02, 342
BMAR02A18, 342
BMAR02B18, 342
BMAR03, 343
BMAR03A18, 343
BMAR03B18, 343
BMAR05, 346
BMAR06, 349
BMAR08, 344-345

C

CD2000, 64
CD2008, 64
CD2100, 65
CD2108, 65
CD3000, 64
CD3100, 65
CLS5, 12, 14-15
CLS5B, 15
CLSA5, 15
CLSA5B, 15
CONTR0DEF, 64-65

D

DF01, 133
DF03, 16, 28, 38, 42-44, 48, 217
DF03MTL, 217
DF03XL, 217
DF07, 217

DF10, 217	Ki2289P, 175	KS2271B, 199, 201	KT2703, 166
DF11, 74, 82, 88, 217	Ki2304P, 176	KS2304A, 191	KT2744, 205-206
DF15, 216	Ki2359P, 174	KS2304B, 191	KT2745, 205-206
DF21, 70, 216	Ki2361A, 174	KS2363A, 191	KT2784, 207-208
DF22, 14, 131-132, 134, 136, 217	Ki2363P, 176	KS2363B, 191	KT2785, 207-208
DF25, 217	Ki2383P, 175	KS2383A, 201	KT2896, 10, 18, 30, 62, 72, 76, 84, 90
DFDM15, 218	Ki2385P, 176	KS2383B, 201	KT2896TK, 10,20,22,24,32,34,36,78,92
DFDM20, 218	Ki2415A, 174	KS2415A, 192	KT2897, 10, 18, 30, 62, 72, 76, 84, 90
DFDM30, 218	Ki2422P, 175	KS2415B, 192	KT2897TK, 10,20,22,24,32,34,36,78,92
DIGIMAG, 244	Ki2455A, 176	KS2440A, 189	KT3094, 167
DN1C00, 317	Ki2483P, 175	KS2440B, 189	KT3297, 167
DN1M00, 317	Ki2509A, 176	KS2783A, 193	KT3299, 167
DN12C00, 306, 317	Ki2511A, 176	KS2783B, 193	KT3300, 167
DN13P, 306, 315	Ki2619A, 176	KS3465A, 187	KT3301, 167
DN14P, 333	Ki2620A, 176	KS3465B, 187	KT3319, 66
DN19P, 306, 314	Ki2744, 205-206	KT002, 60,143-145,147-149,151-152,255	KT3320, 66
DN20P, 306, 315	Ki2745, 205-20	KT003, 160	KT3333, 67
DN22P, 306, 308, 310-311, 314	Ki2774, 206, 208	KT003P, 160	KT3334, 67
DN23P, 306, 315	Ki2775, 206, 208	KT004P, 159	KT3339, 67
DN24P, 333	Ki2783P, 174	KT006, 160	KT3481, 11, 18, 30, 40, 62, 72, 76, 84, 90
DN26P, 306, 312	Ki2784, 207-208	KT006P, 160	KT3481TK, 11, 20, 22, 24, 32, 34, 36, 40, 63, 78, 92
DN27P, 332	Ki2785, 207-208	KT012, 182	KT3482, 11, 18, 30, 40, 62, 72, 76, 84, 90
DN28P, 306, 313	Ki2820P, 174, 187	KT018, 308, 310-317, 320-321, 333	KT3482TK, 11, 20, 22, 24, 32, 34, 36, 40, 63, 78, 92
DN32P, 306, 314	Ki3055P, 176	KT029, 53, 60, 146, 171, 237, 252-254, 256-258, 264	KT3483, 170
DN33P, 306, 315	Ki3238P, 175	KT032, 160	KT3484, 170
DN34P, 333	Ki3251P, 176	KT033, 160	KT3485, 11, 97, 170, 251
DN36P, 306, 312	Ki3252P, 176	KT034, 159	KT3502, 11, 54, 170
DN37P, 332	Ki3465P, 174, 187	KT035, 171, 264	KT3512, 167
DN38P, 306, 313	Ki3749P, 176	KT036, 165	KT3515, 66
DN42P, 306, 314	Ki3750P, 176	KT037, 164	KT3548, 170
DN50P, 306, 316	Ki3751P, 176	KT038, 146,171,237,252-254,256-258,264	KT3549, 143-145, 147-149, 151-152, 170
DN52P, 306, 316	Ki3752P, 174	KT039, 171, 264	KT3559, 123, 134, 135, 168
DN54P, 316	Ki3771P, 17	KT040, 165	KT3560, 168
DN60P, 306, 316	Ki3772P, 178	KT041, 164	KT3561, 168
DN61P, 306, 316	Ki3773P, 178	KT042, 254-255	KT3562, 66
DN65P, 317	Ki3774P, 178	KT043, 254	KT3611, 170
DN129P, 306, 308, 310-312	Ki3775P, 178	KT044, 165	KT3613, 170
DN130P, 306, 308, 310-311, 313	Ki3776P, 178	KT054, 166	KT3614, 170
DN170P, 332	Ki3777P, 178	KT056, 11,97,123,134-135,159,232,251	KT3681, 66
	Ki3779P, 178	KT058, 165	KT3701, 66
F	Ki3803P, 178	KT059, 164	KT3702, 66
FK25, 262	Ki3994P, 178	KT060, 164	KT3729, 67
FR01, 216	Ki3995P, 178	KT061, 171, 264	KT3733, 66
FR02, 216	Ki3996P, 178	KT065, 165	KT3766, 170
FR03, 216	Ki3997P, 178	KT066, 161	KT3767, 67
FR27, 216	Ki4399, 173	KT067, 11, 54, 160	KT3768, 67
	Ki4627, 177	KT068, 164	KT3794, 11, 97, 135, 170, 251
G	Ki4628, 177	KT069, 164	KT3795, 11, 54, 170
GB01ADX, 350	KMOP3G, 74, 121, 143-145, 248	KT071, 137, 238, 241, 282-283, 299	KT3796, 143-145, 147-149, 151-152, 170
GB01ASX, 350	KMOP20, 121, 248, 355, 386-387	KT072, 122,124-129,131-133,136,161,259	KT3797, 170
GB01DX, 350	KMOP24, 121, 248	KT073, 160	KT3816, 170
GB01SX, 350	KMOP25, 121, 248	KT075, 182	KT3822, 168
GB02DX, 350	KMOP40, 120, 247	KT076, 226	KT3823, 170
GB02SX, 350	KMOP42, 82, 120, 143-145, 247	KT077, 225, 227	KT3824, 170
GG0200, 301	KMOP46, 120, 247	KT083, 255	KT3825, 170
GG0600, 281	KMOP47, 120, 143-145, 247	KT086, 11, 56, 160	KT3826, 170
GG2500, 301	KMOP49, 70, 121, 142, 248	KT087, 237-239	KT3837, 168
GG3000, 301	KMOP55, 101, 103, 120, 235, 247	KT088, 166	KT3838, 168
GG3500, 301	KMOP60, 121, 248	KT089, 166	KT3839, 168
GG4844, 301	KMOP66, 96-97, 251	KT090, 166	KT3905, 168
GG060005, 301	KMOP70, 120, 240, 247, 298	KT091, 267	KT4003, 170
GG060010, 301	KMOP85, 105, 120, 142, 247, 319-321, 323, 328, 331	KT092, 238, 297, 304	KT4004, 170
GG060015, 301	KMOP86, 121, 142, 248	KT200, 172	KT4006, 67
GLC70, 356	KMOP86A, 142	KT218, 196	KT4199, 67
GLE70, 356	KMOP87, 142	KT218ATR, 194	KT4200, 67
GLM70, 356	KMOP87A, 142	KT225, 196	KT4211, 67
	KMOP88, 121, 142, 248	KT225ATR, 194	KT4251, 171, 264
K	KMOP90, 120, 247	KT235, 196	KT4271, 167
KEYBOX, 366-367	KMOP96, 88, 121, 143-145, 248	KT235ATR, 194	KT4370, 67
KEYCAP, 142	KM0006, 120, 247	KT457, 97, 251	KT4482, 67
Ki1741, 275	KM0019, 120, 247	KT500, 56	KT4483, 67
Ki1901P, 176	KM0023, 120, 247	KT525, 202-203	KT4606, 170
Ki1902P, 176	KM0025, 121, 240, 248, 298	KT627, 210	KT4607, 170
Ki1903AQ, 177	KM0026, 121, 248	KT800, 209	KT4608, 170
Ki1903P, 174	KM0027, 120, 247	KT0457, 171, 245, 264	KT4609, 170
Ki1944P, 174	KM4220, 142	KT1243, 166	KTA212, 200
Ki2033P, 174	KM4221, 142	KT1594, 204	KTA212C, 200
Ki2115AQ, 177	KM4222, 142	KT1934, 169	KTA212DM, 200
Ki2115P, 174	KM4223, 142	KT2001, 10, 18, 30, 62, 72, 76, 84, 90	KTA325, 198
Ki2134P, 175	KM4224, 142	KT2001TK, 10,20,22,24,32,34,36,78,92	KTA325C, 198
Ki2135P, 175	KM4225, 142	KT2002, 10, 18, 30, 62, 72, 76, 84, 90	KTA425, 189
Ki2262P, 174	KM4226, 142	KT2002TK, 10,20,22,24,32,34,36,78,92	KTA712, 192
Ki2271P, 174	KM4502, 142	KT2108, 186	KTA722, 193
Ki2272P, 174	KM4503, 142	KT2112, 169	KTA725, 190
Ki2273P, 174	KM4504, 142	KT2113, 169	KTA725DM, 190
Ki2277P, 175	KM4553, 142	KT2131, 169	KTA10800, 188
Ki2286P, 175	KS2115A, 188, 199, 201	KT2140, 169	KTB212, 200
Ki2287P, 174	KS2115B, 199, 201	KT2278, 175	KTB212C, 200
	KS2115B6, 188	KT2283, 182	KTB212DM, 200
	KS2271A, 199, 201	KT2288, 175	

KTB325, 198
 KTB325C, 198
 KTB425, 189
 KTB712, 192
 KTB722, 193
 KTB725, 190
 KTB725DM, 190
 KTB10800, 188
 KTN500, 347
 KTN500MG, 347
 KTXP3G, 121, 248
 KTXP4GN, 121, 248
 KTXP20, 121, 248
 KTXP24, 121, 248
 KTXP25, 121, 248
 KTXP40, 120, 247
 KTXP42, 120, 247
 KTXP46, 120, 247
 KTXP47, 120, 247
 KTXP51, 121, 248
 KTXP55, 120, 247
 KTXP70, 120, 247
 KTXP85, 120, 247
 KTXP86, 121, 248
 KTXP88, 121, 248
 KTXP90, 120, 247
 KTXP96, 121, 248

L

LG13, 304
 LG22, 304
 LG80, 348
 LGKBA0464, 137
 LGKBA0811, 137

M

M630, 386
 M630CY, 386
 M650, 387
 M650CY, 387
 MA1563, 192
 MA1927, 40, 187, 191, 197, 201, 210-211
 MA1928, 40, 195, 199
 MA2051, 32
 MA2053, 40
 MA2054, 40
 MA2055, 32
 MA2365, 40
 MA2366, 32
 MA2367, 40
 MA2371, 40, 187, 191, 197, 201, 210-211
 MA2372, 40, 195, 199
 MA2665, 40, 187, 191, 197, 201, 210-211
 MA2685, 40
 MA2702, 40, 187, 191, 197, 201, 210-211
 MA2730, 40
 MA2731, 40, 195, 199
 MA2871, 40
 MA3086, 62, 186, 188
 MA3520, 34
 MA3521, 34
 MA3523, 32
 MA3524, 32
 MA3526, 30, 195, 199
 MA3527, 30, 187, 191, 197, 201, 210-211
 MA3529, 22
 MA3530, 22
 MA3532, 20
 MA3533, 20
 MA3535, 18, 195, 199
 MA3536, 18, 187, 191, 197, 201, 210-211
 MA3591, 99
 MA3592, 99
 MA3625, 30, 195, 199
 MA3626, 30, 187, 191, 197, 201, 210-211
 MA3627, 30, 195, 199
 MA3628, 30, 187, 191, 197, 201, 210-211
 MA3629, 32
 MA3630, 32
 MA3631, 32
 MA3632, 32
 MA3633, 30, 187, 191, 197, 201, 210-211
 MA3634, 30, 195, 199
 MA3635, 32
 MA3636, 32
 MA3645, 63
 MA3647, 24
 MA3648, 36
 MA3817, 40

MA3818, 40
 MA4088, 102
 MA4095, 102
 MAG3G, 68, 187, 191, 195, 197, 199, 201, 210-211
 MAG4GN, 68, 187, 191, 195, 197, 199, 201, 210-211
 MB70, 361
 MB045, 325
 MB045M, 324
 MB045PLA, 326
 MB051, 365
 MB051CH, 358
 MB051CHAL, 358
 MB051MR, 365
 MB052, 365
 MB052CH, 360
 MB052CHAL, 360
 MB052KB, 361
 MB052MR, 365
 MB061CH, 362
 MB061CHAL, 362
 MB062CH, 364
 MB062CHAL, 364
 MB062KB, 361
 MB082, 367
 MB701CH, 358
 MB701CHAL, 358
 MB703CH, 362
 MB703CHAL, 362
 MBMG051CH, 359
 MBMG051CHAL, 359
 MBMG061CH, 363
 MBMG061CHAL, 363
 MG013, 121, 248, 266
 MG030, 121, 240, 248, 280, 298, 393
 MG033, 240-241, 298-299
 MG033B, 240-241, 298-299
 MG060BC, 242
 MG095K, 366
 MG100, 393
 MG110, 238-239, 393
 MG110R, 236, 393
 MG210ARCU, 230
 MG210MCM, 231
 MG220, 224, 226-227, 393
 MG300, 393
 MG310, 224, 237, 393
 MG320, 393
 MG340, 393
 MG349, 99
 MG351, 69, 98, 393
 MG351N, 393
 MG351NW, 69, 98
 MG351OKP, 104
 MG388, 330
 MG388C, 330
 MG410, 224-225, 243, 393
 MG410N, 393
 MG422, 245
 MG440DM, 228
 MG440F, 394
 MG440G, 394
 MG445, 278
 MG520G, 394
 MG525, 278
 MG540DM, 228
 MG540F, 394
 MG540G, 394
 MG545, 278
 MG550F, 394
 MG550G, 394
 MG555, 278
 MG560F, 394
 MG560G, 394
 MG571F, 118, 269, 394
 MG577, 394
 MG581F, 118, 269, 394
 MG591F, 118, 269, 394
 MG600, 355
 MG610, 121, 248, 386
 MG620, 355, 387
 MG640DM, 228
 MG700, 323
 MG700CO, 323
 MG710, 328
 MG710CO, 328
 MG740, 331
 MG810, 320
 MG812, 321
 MG815, 319

MG830, 370, 381
 MG830PRX, 381
 MG831, 382, 384
 MG835, 327, 371, 375, 382, 384
 MG845, 371, 379
 MG845M, 371, 379
 MG850, 121, 248, 371, 374, 382, 384
 MG850S, 371, 374
 MG855, 371, 377, 382, 384
 MG860, 371, 378, 382, 384
 MG860CMP, 371, 384-385
 MG860CMP01, 385
 MG860CMP02, 385
 MG860CMP03, 385
 MG860CMP04, 385
 MG900, 69, 106
 MG900DF, 394
 MG901, 107
 MG901DF, 394
 MG902, 108
 MG902DF, 394
 MG903, 109
 MG910, 110
 MG910DF, 394
 MG915, 111
 MG915DF, 394
 MG920, 112
 MG920DF, 394
 MG924CIR, 113
 MG925, 114
 MG925DF, 394
 MG930, 115
 MG930DF, 394
 MG935, 116
 MG940, 117
 MG960IDF, 394
 MG1300, 154-155
 MG1300BM, 154-155
 MG1330, 153
 MG1330BM, 153
 MG3105W, 237
 MG3105WR, 237
 MG3105WZ, 237
 MG3551, 69, 100-103, 120, 247
 MG3551ATR, 103
 MG3551DM, 223
 MG3551OMG, 103
 MG3551YA, 235
 MG4105W, 243
 MG35513M, 103
 MGB44, 272
 MGB44F, 270
 MGB52, 272
 MGB54, 272
 MGB54F, 270
 MGB55, 272
 MGB55F, 270
 MGB520SK, 274
 MGB540SK, 274
 MGB550SK, 274
 MGCMP01, 383
 MGCMP02, 383
 MGCMP03, 383
 MGCMP04, 383
 MGDN129P, 308, 310-311
 MGDN130P, 308, 310-311
 MGKEY30, 142
 MGKT042, 254-255
 MGKTN300, 322
 MGOG01, 304
 MGOG03, 304
 MGOR01, 253
 MGOR02, 253
 MGOR09, 256
 MGOR09R, 256
 MGOR10, 257
 MGOR10R, 257
 MGOR13, 252
 MGOR13R, 252
 MGOR16, 254
 MGOR26, 255
 MGSG15, 281, 292
 MGSG18, 281, 295
 MGSG33, 281, 297
 MGSG33C, 297
 MGSG77, 280, 283-284
 MGSG77S, 280, 283-284
 MGYACO4, 229
 MP01CL, 391
 MP02E, 391
 MP03, 392

MR01DM, 121, 248
 MR17F25, 92
 MR107, 95
 MR108, 87
 MR127, 94-95
 MR127F25, 92
 MR129, 86-87
 MR137, 95
 MR137F25, 92
 MR139, 87
 MR12720, 90, 94, 187, 191, 197, 201, 210-211
 MR12725, 90, 94, 187, 191, 197, 201, 210-211
 MR12735, 90, 94, 187, 191, 197, 201, 210-211
 MR12745, 90, 94, 187, 191, 197, 201, 210-211
 MR12920, 84, 86, 187, 191, 197, 201, 210-211
 MR12925, 84, 86, 187, 191, 197, 201, 210-211
 MR12935, 84, 86, 187, 191, 197, 201, 210-211
 MR12945, 84, 86, 187, 191, 197, 201, 210-211
 MR13720, 90, 94, 195, 199
 MR13725, 90, 94, 195, 199
 MR13735, 90, 94, 195, 199
 MR13920, 84, 86, 195, 199
 MR13925, 84, 86, 195, 199
 MR13935, 84, 86, 195, 199
 MR27820, 90, 94, 191, 197, 201
 MR27825, 90, 94, 191, 197, 201
 MR29820, 84, 86, 191, 197, 201
 MR29825, 84, 86, 191, 197, 201
 MRE17F, 93
 MRE107, 91
 MRK107, 95
 MRK108, 87, 145
 MRK127, 94, 145
 MRK129, 86, 145
 MRK137, 95, 145
 MRK139, 87, 145
 MRM17AF, 93
 MRM17BF, 93
 MRM17MAF, 93
 MRM17MBF, 93
 MRM23, 120, 247
 MRM25, 68, 121, 248
 MRM27, 68, 88-89, 91, 121, 187, 191, 195, 197, 199, 201, 210-211, 248
 MRM27B, 91
 MRM27B25, 89
 MRM27CH, 96
 MRM27CH25, 96
 MRM27CHB25, 96
 MRM27CHX, 97, 251
 MRM27F, 93
 MRM27MA, 91
 MRM27MAF, 93
 MRM27MB, 91
 MRM29, 68, 82-83, 85, 120, 247
 MRM29B, 83, 85
 MRM29B25, 83
 MRM29E, 85
 MRM29MA, 85
 MRM29MB, 85
 MRM37, 89, 91
 MRM37B, 89, 91
 MRM37F, 93
 MRM37MA, 91
 MRM37MAF, 93
 MRM37MB, 91
 MRM39, 83, 85
 MRM39B, 83, 85
 MRM39E, 85
 MRM39MA, 85
 MRM39MB, 85
 MRM107A, 91
 MRM107B, 91
 MRM107MA, 91
 MRM107MB, 91
 MRM108A, 85
 MRM108B, 85
 MRM108E, 85
 MRM108MA, 85
 MRM108MB, 85
 MRM2725, 89
 MRM2925, 83
 MRME27, 91

MRME27F, 93
 MRME37, 91
 MRME37F, 93
 MRQA27, 91
 MRQA29, 85
 MRQA37, 91
 MRQA39, 85
 MRQA107, 91
 MRQA108, 85
 MRQA2725, 143
 MRQA2925, 143
 MRQA3725, 143
 MRQA3925, 143
 MRQA1032501, 143
 MRQA1082501, 143
 MRQAF17, 93
 MRQB27, 91
 MRQB29, 85
 MRQB37, 91
 MRQB39, 85
 MRQB107, 91
 MRQB108, 85
 MRQB2725, 143
 MRQB2925, 143
 MRQB3725, 143
 MRQB3925, 143
 MRQB1032501, 143
 MRQB1082501, 143
 MRQBF17, 93
 MRQBF27, 93
 MRQBF37, 93
 MRSTA27, 91
 MRSTA29, 85
 MRSTA37, 91
 MRSTA39, 85
 MRSTA107, 91
 MRSTA108, 85
 MRSTAF17, 93
 MRSTAF27, 93
 MRSTAF37, 93
 MRSTB27, 91
 MRSTB29, 85
 MRSTB37, 91
 MRSTB39, 85
 MRSTB107, 91
 MRSTB108, 85
 MRSTBF17, 93
 MRTA27, 91
 MRTA29, 85
 MRTA37, 91
 MRTA39, 85
 MRTA107, 91
 MRTA108, 85
 MRTAF17, 93
 MRTAF27, 93
 MRTAF37, 93
 MRTB27, 91
 MRTB29, 85
 MRTB37, 91
 MRTB39, 85
 MRTB107, 91
 MRTB108, 85
 MRTBF17, 93
 MRW107, 95
 MRW108, 87, 145
 MRW127, 94, 145
 MRW129, 86, 145
 MRW137, 95, 145
 MRW139, 87, 145
 MRWA27, 91
 MRWA29, 85
 MRWA37, 91
 MRWA39, 85
 MRWA107, 91
 MRWA108, 85
 MRWA2725, 144
 MRWA2925, 144
 MRWA3725, 144
 MRWA3925, 144
 MRWA1082501, 144
 MRWAF17, 93
 MRWB27, 91
 MRWB29, 85
 MRWB37, 91
 MRWB39, 85
 MRWB107, 91
 MRWB108, 85
 MRWB2725, 144
 MRWB2925, 144
 MRWB3725, 144
 MRWB3925, 144

MRWB1082501, 144
 MRWBF17, 93
 MRWBF27, 93
 MRWBF37, 93
 MRZ27, 94-95
 MRZ29, 86-87
 MRZ37, 95
 MRZ39, 87
 MRZ2730, 94
 MRZ2930, 86
 MRZ3730, 94
 MRZ3930, 86
 MRZK27, 94
 MRZK29, 86
 MRZK37, 95
 MRZK39, 87
 MRZW27, 94
 MRZW29, 86
 MRZW37, 95
 MRZW39, 87
 MT85595, 210

N

NX2F, 148
 NX2G, 148
 NX2H, 148
 NX2Q, 147
 NX2R, 146
 NX8Q, 147
 NX8R, 146
 NX12Q, 147
 NX12R, 146
 NX444, 152
 NX4408, 150
 NX4443, 150
 NX4446, 150
 NX4448, 150
 NXPL24, 149
 NXPL44, 149

O

OBD02, 388-389
 OBD03, 388-389
 OBD04, 388-389
 OBD05, 388-389
 OBD06, 388-389
 OBD07, 388-389
 OG01, 304
 OG03, 304
 OP29, 277
 OP31, 277
 OP32, 277
 OP34, 276
 OP35, 277
 OP36, 277
 OP44, 273
 OP52, 273
 OP54, 273
 OP55, 273
 OP63, 276
 OP63L, 276
 OP64, 267
 OP65, 267
 OR01, 253
 OR01RST, 261
 OR02, 253
 OR05, 256
 OR06, 257
 OR09, 256
 OR09R, 256
 OR10, 257
 OR10R, 257
 OR13, 252
 OR13R, 252
 OR14, 183, 192, 263
 OR16, 254
 OR26, 255

P

PLOKAMI, 390-391, 392
 PS0500, 319
 PS0600, 319
 PSMSL, 318

R

RB42, 59
 RB42K, 59

RB42W, 59
 RB48, 59
 RB48K, 59
 RB48W, 59
 RBS42, 59
 RBS42K, 59
 RBS42W, 59
 RBS48, 59
 RBS48K, 59
 RBS48W, 59
 RIF01, 352
 RIF02, 353
 RIF04CF / RIF05CF, 354
 RIF06, 329
 RIF70, 370, 380
 RIF031, 327, 370, 376
 RIF035, 370, 372
 RIF040, 370, 373
 RKD16, 26-27
 RKD16K, 27
 RKD16W, 27
 RKD42, 26-27
 RKD42K, 27
 RKD42W, 27
 RKD48, 26-27
 RKD48K, 27
 RKD48W, 27
 RKD68, 26-27
 RKD68K, 27
 RKD68W, 27
 RWS16, 45, 47
 RWS16K, 47
 RWS16W, 47
 RWS42, 47
 RWS42K, 47
 RWS42W, 47
 RWS48, 47
 RWS48K, 47
 RWS48W, 47
 RWS68, 45, 47
 RWS68K, 47
 RWS68W, 47
 RX51, 303

S

SCB05, 339
 SCB10, 339
 SERVICE KIT, 214-215
 SG02, 280, 285
 SG04, 280, 286
 SG08, 280, 289, 393
 SG08RST, 261
 SG10, 280, 287, 393
 SG10SK, 280, 288
 SG15, 281, 293
 SG18, 281, 294
 SG19, 281, 291
 SG31, 281, 290
 SG33, 281, 297
 SG33C, 297
 SG35, 281, 300
 SG77, 280, 282, 284
 SG77RST, 261
 SG77S, 280, 282, 284
 SP01, 336-337
 SP03, 338

T

TF001i, 268
 TF002i, 268
 TF003i, 268

V

VAN LOCK, 368-385
 VD14, 61
 VD15, 61
 VD20A, 61

X

XE500, 139
 XE503, 139
 XE510, 122
 XE511, 122
 XE550, 139
 XE553, 139
 XE601, 124
 XE602, 126

XE603, 130
 XE604, 130
 XE605, 127
 XE606, 128
 XE607, 124
 XE608, 126
 XE609, 125
 XE610, 125
 XE611, 129
 XE620, 131
 XE630, 131
 XE640, 132
 XE641W, 133
 XE650, 132
 XE651W, 133
 XE660, 136
 XE670, 136
 XE720LB, 134
 XE730LB, 134
 XE4528, 135
 XE4529, 135
 XE2000018, 138
 XE2000025, 138
 XE2500018, 138
 XE2500025, 138
 XE3000018, 138
 XE3000025, 138
 XE3500018, 138
 XE3500025, 138

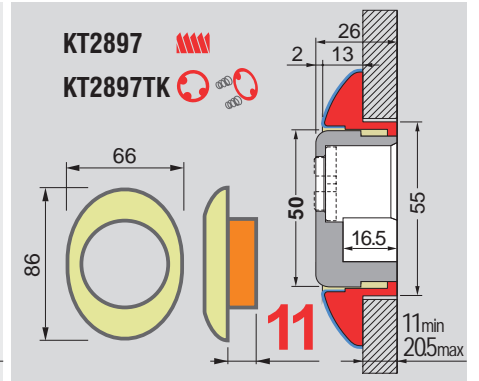
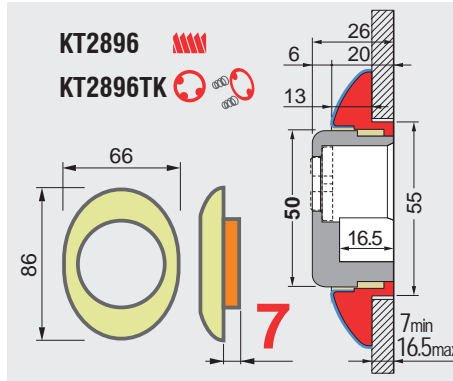
Z

ZA0581, 52
 ZA0814, 52
 ZA1598, 56
 ZA1714, 54
 ZA1717, 54
 ZA1874, 52
 ZA1986, 58
 ZA1987, 58
 ZA1988, 58
 ZA2126, 58
 ZA2127, 58
 ZA2166, 56
 ZA2254, 56
 ZA2311, 52
 ZA2313, 52
 ZA2315, 52
 ZA2316, 52
 ZA2317, 52
 ZA2318, 52
 ZA2365, 60
 ZA2384, 58
 ZA2458, 58
 ZA2490, 56
 ZA2632, 58
 ZA2771, 54
 ZA2946, 58
 ZA2947, 58
 ZA2948, 58
 ZA2990, 58
 ZA3261, 54
 ZA3266, 54
 ZA3538, 46
 ZA3540, 46
 ZA3649, 46
 ZA3650, 46
 ZA3651, 26
 ZA3652, 26
 ZA3678, 54
 ZA3696, 46
 ZA3697, 46
 ZA3746, 46
 ZA3747, 46
 ZA3782, 26
 ZA3783, 26
 ZA3976, 58

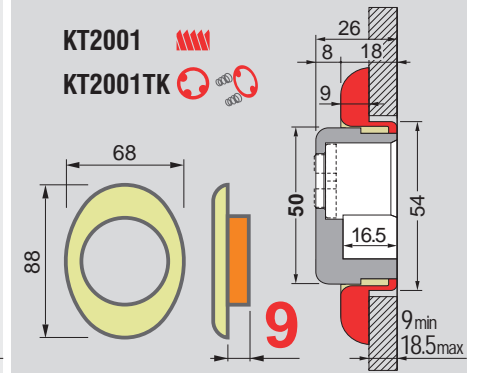
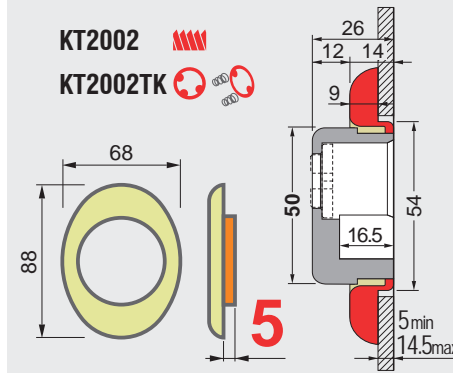


SUPER TOP

ISTRUZIONI DI MONTAGGIO
Fitting Instructions

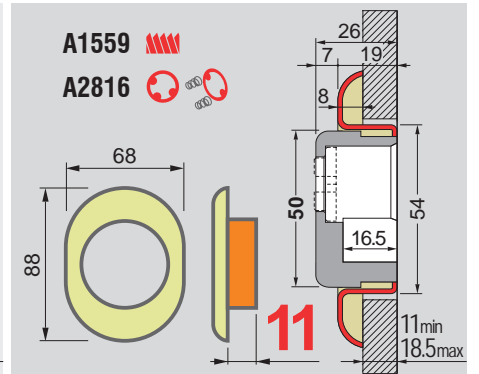
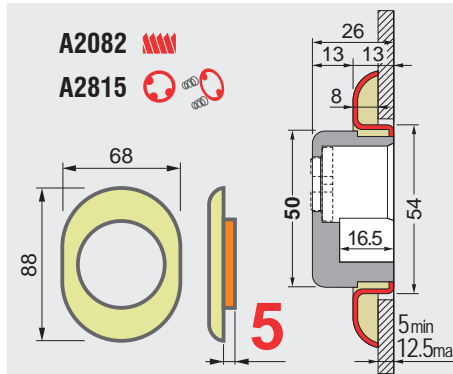


TOP

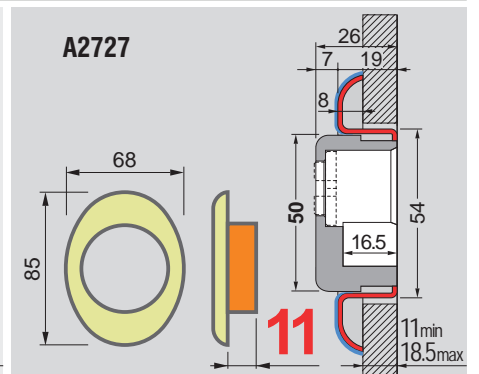
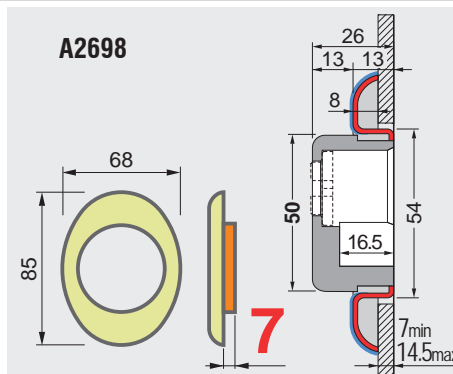


MONOLITO

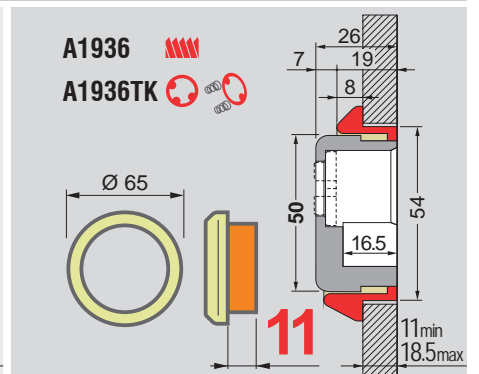
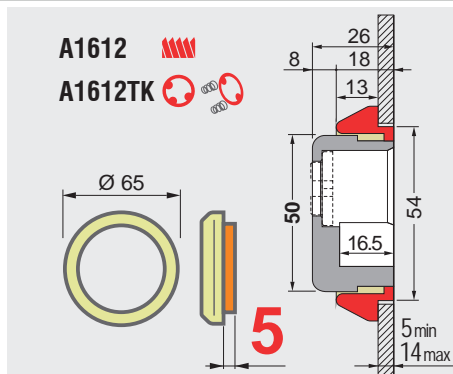
OPTIONAL
A2073
SPESSORE 5mm
SPACER 5mm
 PAG



STONE



MILANO

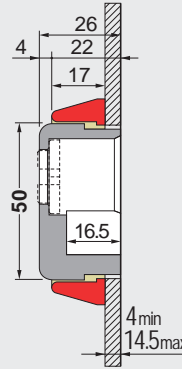
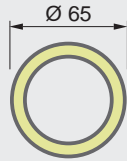




MONOLITO E



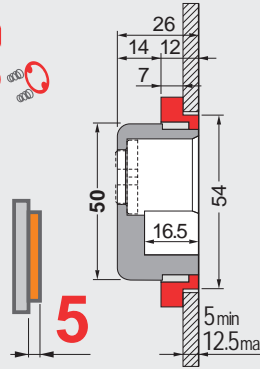
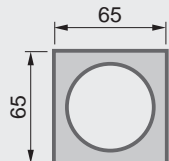
A2199
A2199TK



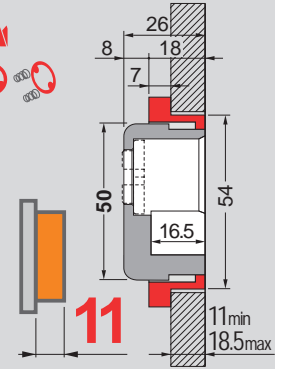
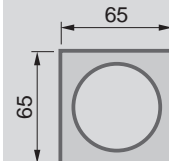
QUADRA



A3171
A3171TK



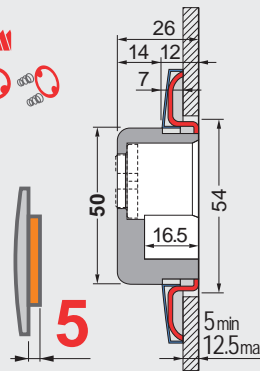
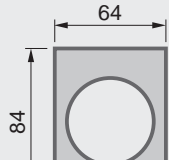
A3060
A3060TK



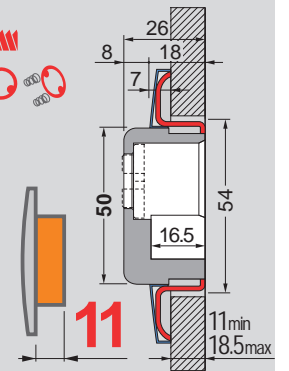
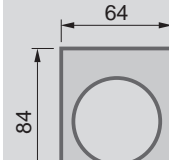
QUADRY



KT3481
KT3481TK

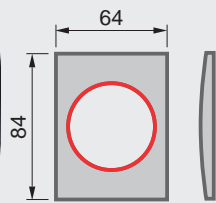


KT3482
KT3482TK



QUADRY P

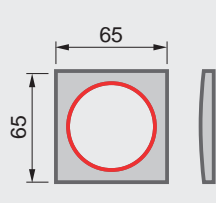
KT3502 Ø46
KT3485 Ø50



KUBO

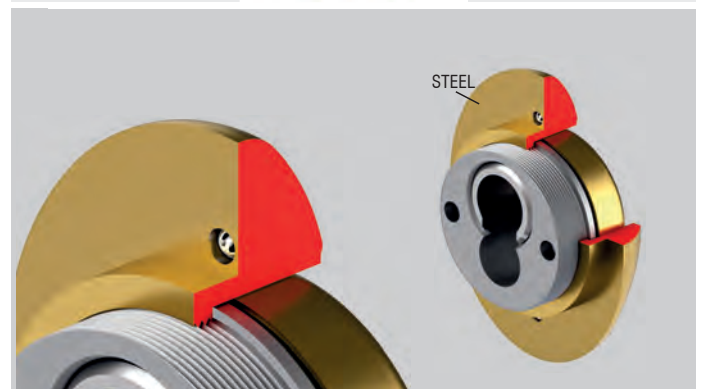
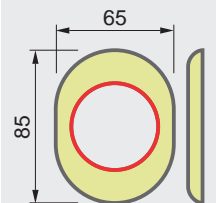


KT3795 Ø46
KT3794 Ø50



STANDARD

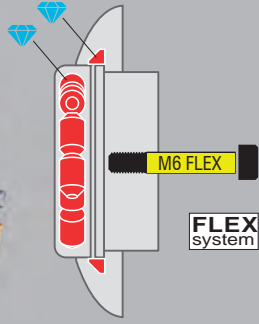
KT086 Ø42
KT067 Ø46
KT056 Ø50



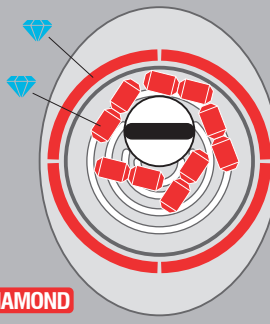
CLS5



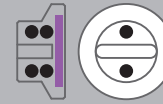
GRADO 5



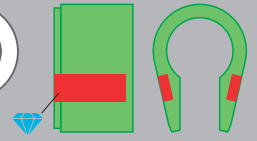
FLEX system



DIAMOND



Mn CARBIDE



ANTISKETTING system

DIAMOND

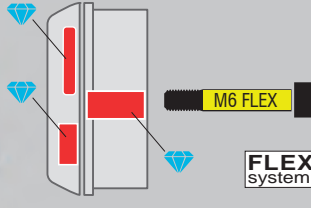
★★★★★★

DIAMOND

ROK SFERIK
PAT. PEND.



GRADO 4



FLEX system

DIAMOND

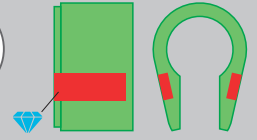


DIAMOND CARBIDE



OPTIONAL memory system

Mn CARBIDE



ANTISKETTING system

DIAMOND

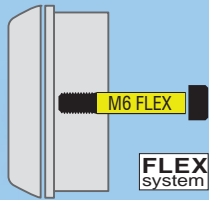
★★★★★★

MONOLITO KRIPTON

ROK SFERIK
PAT. PEND.



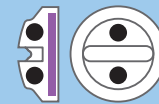
GRADO 4



FLEX system



CARBIDE



OPTIONAL memory system

Mn CARBIDE



ANTISKETTING system

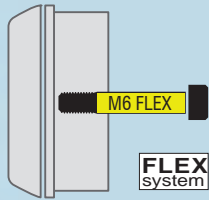
★★★★★

MONOLITO

ROK SFERIK
PAT. PEND.



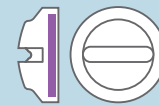
GRADO 4



FLEX system



HSS CARBIDE



OPTIONAL memory system

Mn



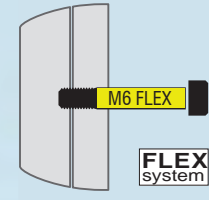
★★★★★

RWS

ROK SFERIK
PAT. PEND.



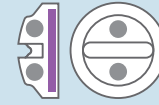
GRADO 4



FLEX system



CARBIDE



OPTIONAL memory system

Mn HSS



ANTISKETTING system

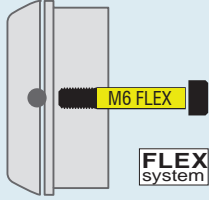
★★★★★

STONE / BDS

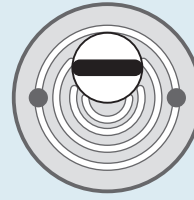
ROK SFERIK
PAT. PEND.



GRADO 4



FLEX system



OPTIONAL memory system



★★★

CLASS 5 / DIAMOND



1

MONOLITO KRIPTON



2

MONOLITO



3

RWS



4

STONE / BDS / CONTRODEF / Ω



5

MAG ROUND



6

ELECTRONIC CYLINDER PROTECTION
Electronic cylinder guards



7

NX LINE



8

PLACCHE E ACCESSORI
Escutcheon and accessories



9

PROTEZIONI MAGNETICHE
Magnetic guards



10

PROTEZIONI DA APPOGGIO
Surface mounted guards



11

PLACCHE
Handle plates



12

PROFILI STRETTI
Narrow profiles



13

GARAGES



14

FINESTRE
Windows



15

ACCESSORI SERRATURE
Lock accessories



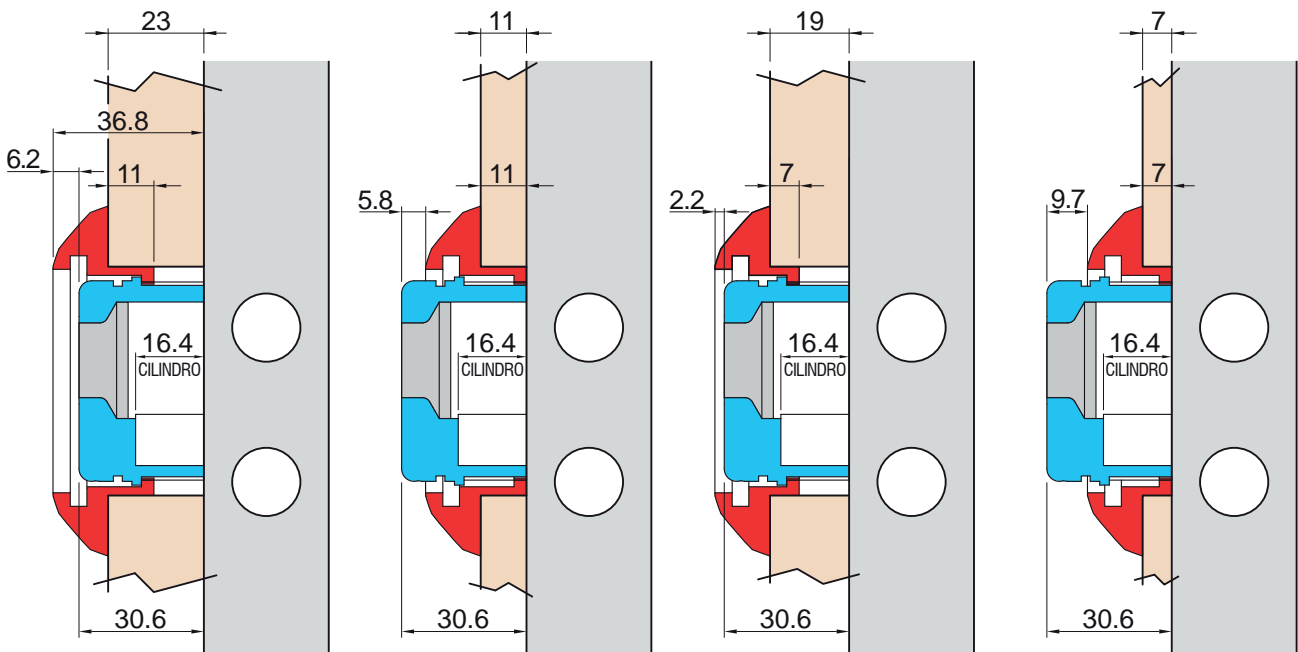
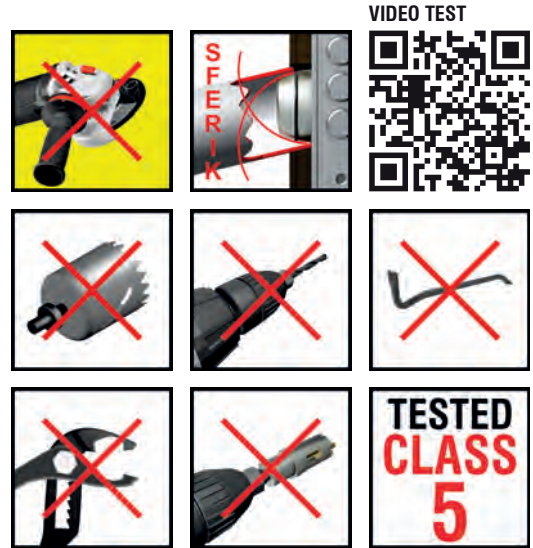
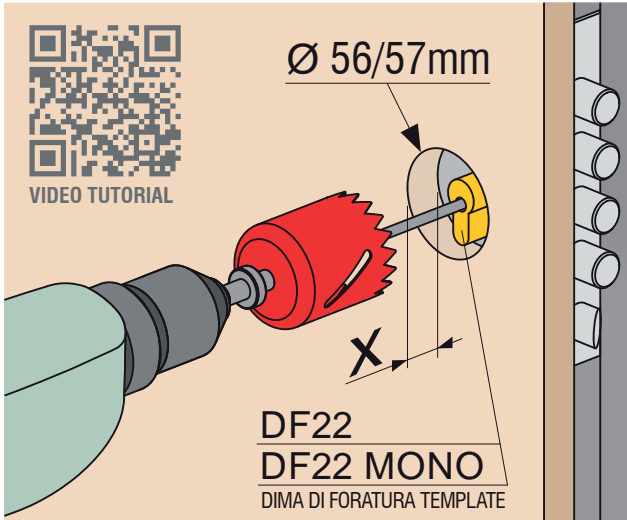
16

AUTOMOTIVE - VAN LOCK



17

CLS5

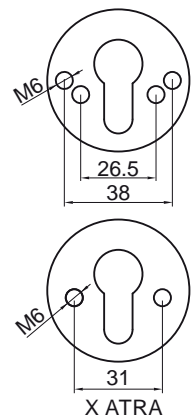
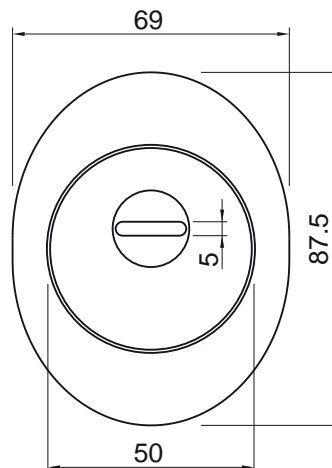
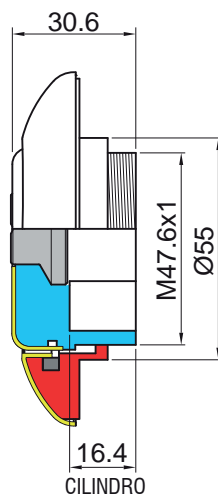
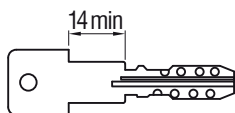


FLEX SYSTEM



5 VOLTE PIU' RESISTENTE DELLE VITI TRADIZIONALI 12.9

VIDEO TEST





CLS5B-30D1..
X ATRA: **CLSA5B-30D1..**



CLS5-30D1..
X ATRA: **CLSA5-30D1..**



CLS5

NEW REFERENCE TESTED

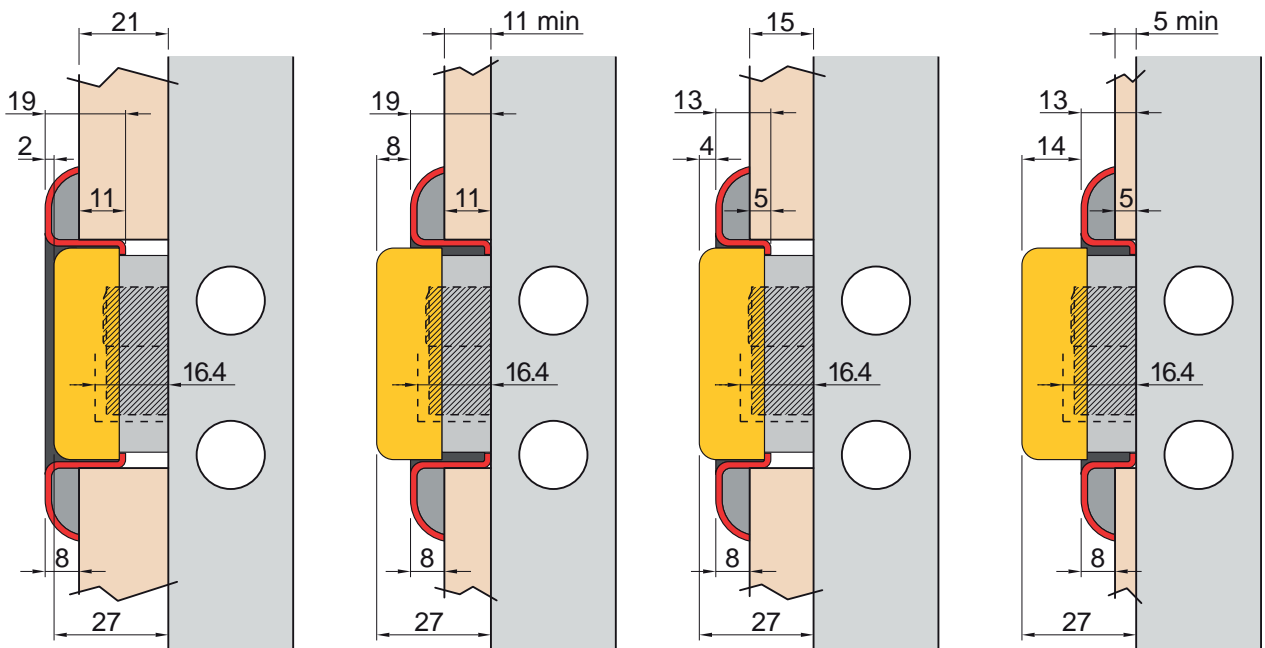
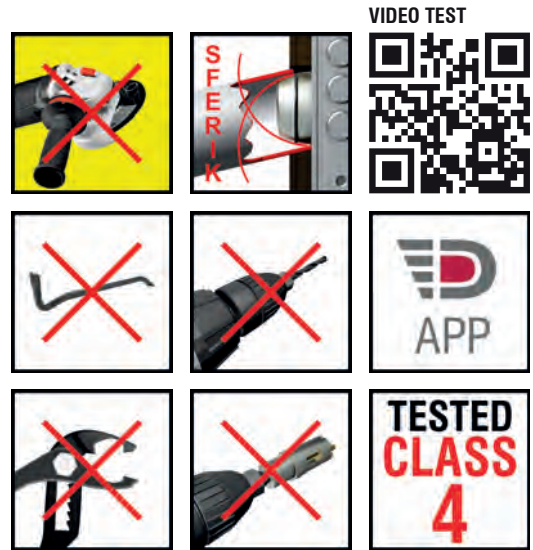
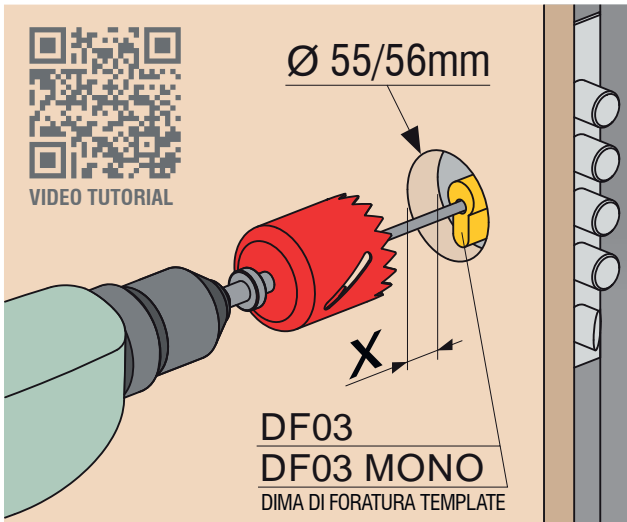
CLASS 5



- | | |
|---|----------------------------------|
| C Cromo lucido
Bright Chrome | B Bronzo
Bronze |
| T Cromo satinato
Satin Chrome | 2 PVD Ottone
PVD Brass |



 **DIAMOND**

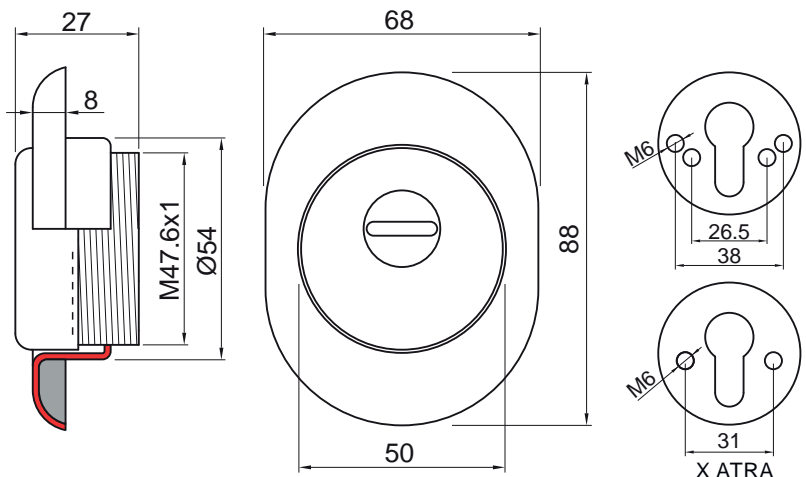


FLEX SYSTEM



5 VOLTE PIU' RESISTENTE DELLE VITI TRADIZIONALI 12.9

VIDEO TEST





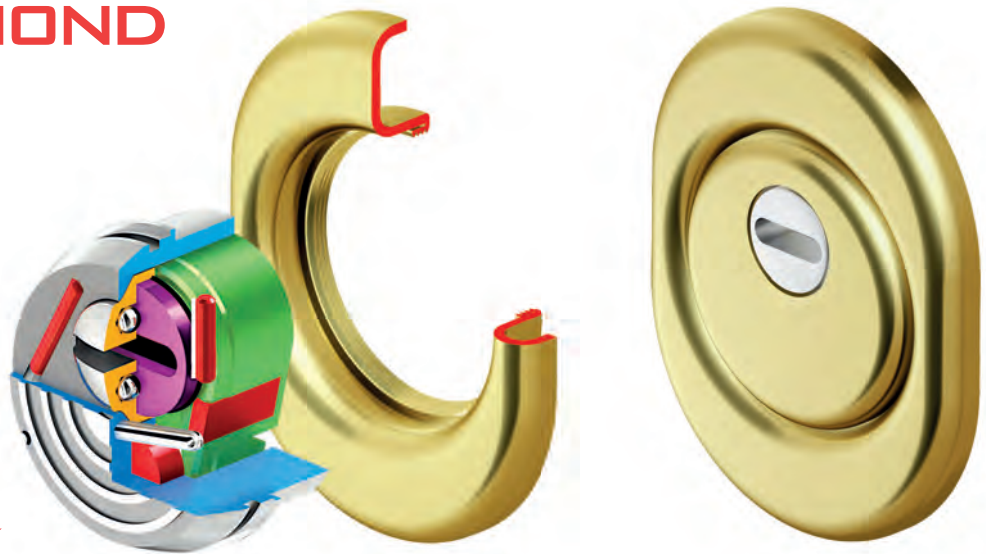
 **DIAMOND**

ROK SFERIK

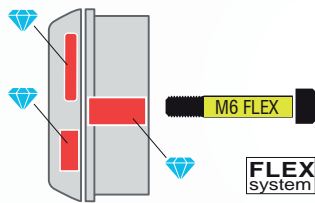
PAT. PEND.



GRADO 4



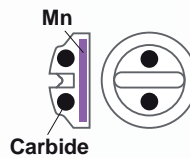
VIDEO:



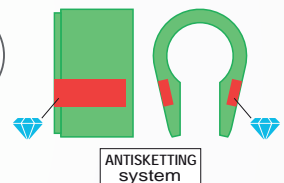
DIAMOND



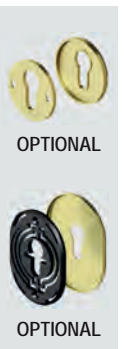
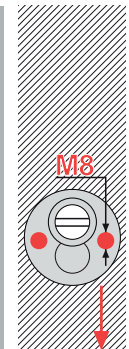
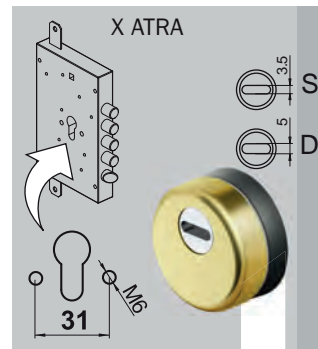
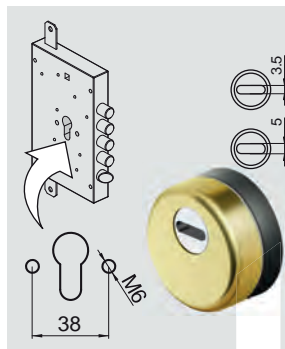
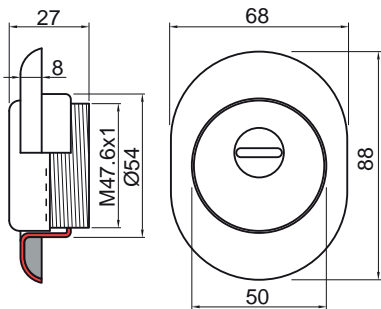
DIAMOND CARBIDE



Mn CARBIDE




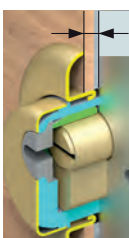



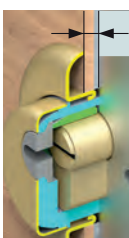


DIAMOND



OPTIONAL

OPTIONAL

		5 min	BKD251 25 ..	BKD351 25 ..	BKD250 8 25 ESEMPIO CODICE	<p>ESEMPIO DI CODICE PER VITI M8 EXAMPLE OF CODE FOR FIXING M8</p> <p>Cromo lucido Bright Chrome Cromo satinato Satin Chrome Bronzo Bronze PVD Ottone PVD Brass Bronzo satinato Satin Bronze Inox satinato Satin S.Steel Nero Black</p>
		5 min	BKD250 25 ..	BKD350 25 ..	<p>ESEMPIO DI CODICE PER VITI M8 EXAMPLE OF CODE FOR FIXING M8</p>	
		11 min	BKT201D 25 ..	BKT301D 25 ..		
		11 min	BKT200D 25 ..	BKT300D 25 ..		

ESEMPIO CODICE / EXAMPLE CODE:

XXXXX  H D1/S1  C T 2

FINITURE

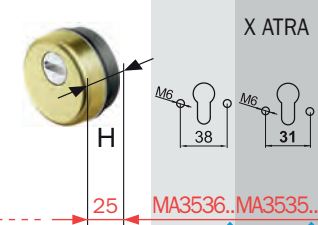
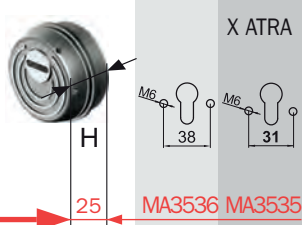


PAT. PEND.

FILETTATO



Ø50



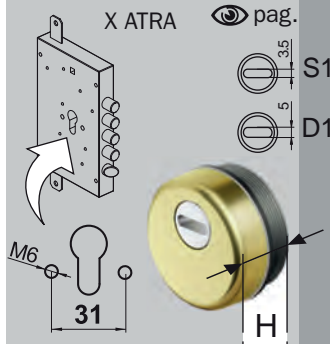
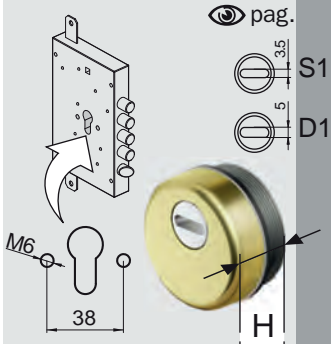
FINITURE FINISHES

- A1561..**
- C Cromo lucido / Bright Chrome
 - T Cromo satinato / Satin Chrome
 - B Bronzo / Bronze
 - 2 PVD Ottone / PVD Brass
 - TT Ottone satinato / Satin Brass
 - BS Bronzo satinato / Satin Bronze
 - IT Inox satinato / Satin S.Steel
 - N Nero / Black

<p>SUPER TOP 86x66</p>	
<p>TOP 88x68</p>	
<p>MONOLITO 88x68</p>	
<p>MILANO Ø 65</p>	
<p>MONOLITO E Ø 65</p>	
<p>QUADRA 65x65</p>	
<p>QUADRY 84x64</p>	

<p>7 min</p>
<p>11 min</p>
<p>5 min</p>
<p>9 min</p>
<p>5 min</p>
<p>11 min</p>
<p>5 min</p>
<p>11 min</p>
<p>5 min</p>
<p>11 min</p>
<p>5 min</p>
<p>11 min</p>
<p>5 min</p>
<p>11 min</p>

FILETTATO



FINITURE FINISHES

- C** Cromo lucido / Bright Chrome
- T** Cromo satinato / Satin Chrome
- B** Bronzo / Bronze
- 2** PVD Ottone / PVD Brass
- TT** Ottone satinato / Satin Brass
- BS** Bronzo satinato / Satin Bronze
- IT** Inox satinato / Satin S.Steel
- N** Nero / Black



BKD291 25 ..

BKD391 25 ..

BKD291 8 25..
ESEMPIO CODICE



BKD290 25 ..

BKD390 25 ..



BKD271 25 ..

BKD371 25 ..



BKD270 25 ..

BKD370 25 ..



BKD251 25 ..

BKD351 25 ..



BKD250 25 ..

BKD350 25 ..



BKD261 25 ..

BKD361 25 ..



BKD260 25 ..

BKD360 25 ..



BKD28A 25 ..

BKD38A 25 ..



BKD251Q 25 ..

BKD351Q 25 ..



BKD250Q 25 ..

BKD350Q 25 ..



BKD251W 25 ..

BKD351W 25 ..



BKD250W 25 ..

BKD350W 25 ..

ESEMPIO DI CODICE PER VITI M8

ESEMPIO DI CODICE PER VITI M8



pag.

- C** Cromo lucido / Bright Chrome
- T** Cromo satinato / Satin Chrome
- 2** PVD Ottone / PVD Brass
- BS** Bronzo satinato / Satin Bronze
- IT** Inox satinato / Satin S.Steel
- N** Nero / Black

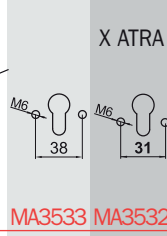
- C** Cromo lucido / Bright Chrome
- T** Cromo satinato / Satin Chrome
- B** Bronzo / Bronze
- 2** PVD Ottone / PVD Brass
- BS** Bronzo satinato / Satin Bronze
- IT** Inox satinato / Satin S.Steel
- N** Nero / Black



PAT. PEND.



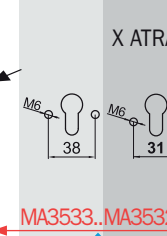
25



25



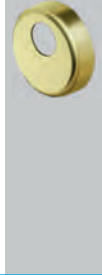
25



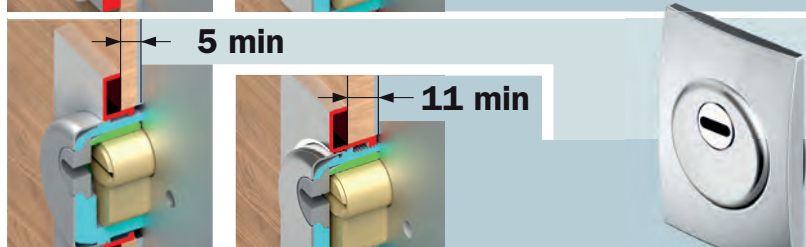
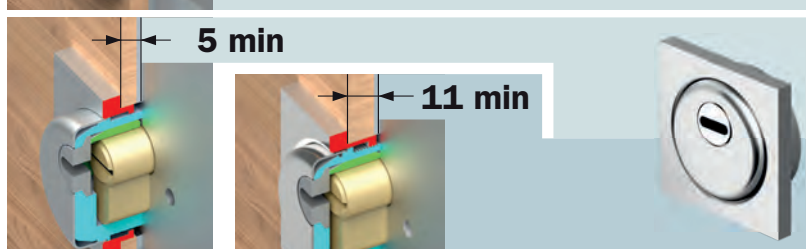
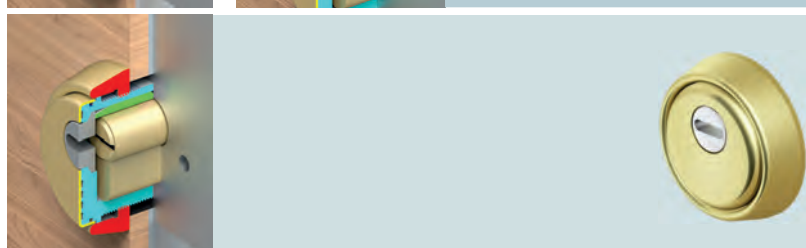
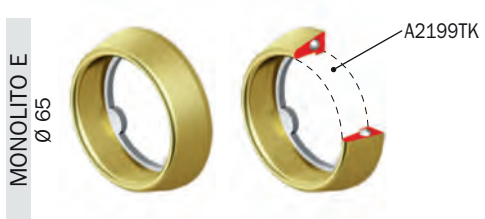
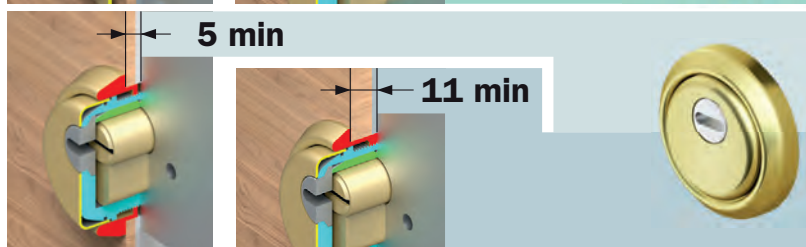
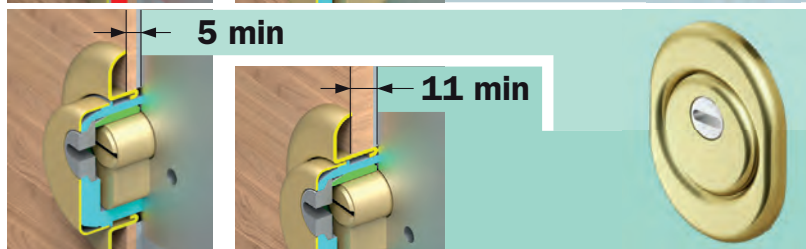
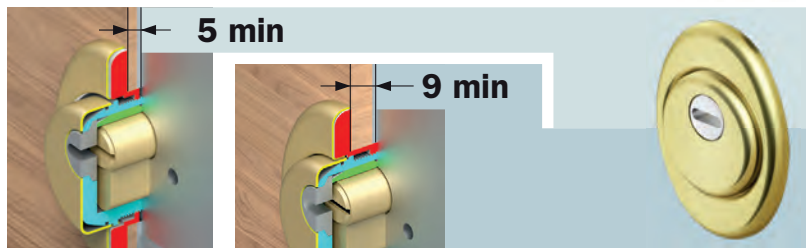
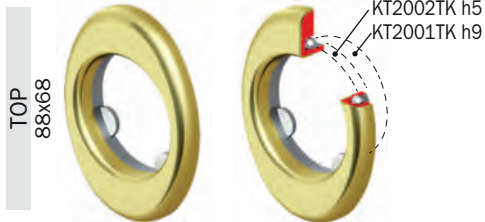
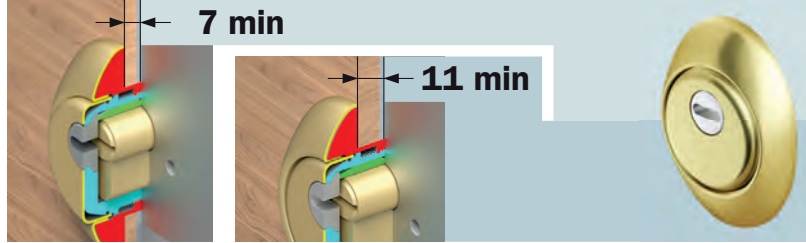
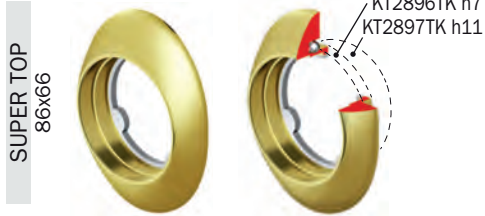
25

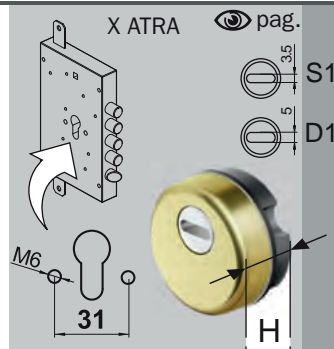
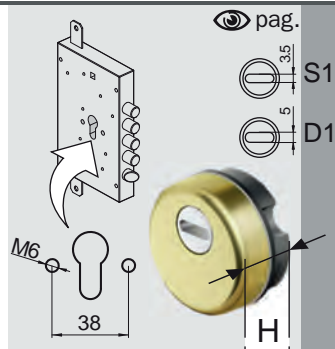
FINITURE FINISHES

A1561..



- C Cromo lucido
- T Bright Chrome
- B Cromo satinato
- 2 Satin Chrome
- TT Bronzo
- BS PVD Ottone
- IT Satin Brass
- N Ottone satinato
- BS Satin Brass
- IT Bronzo satinato
- N Satin Bronze
- IT Inox satinato
- N Satin S.Steel
- N Nero
- N Black





**FINITURE
FINISHES**

- C** Cromo lucido / Bright Chrome
- T** Cromo satinato / Satin Chrome
- B** Bronzo / Bronze
- 2** PVD Ottone / PVD Brass
- IT** Ottone satinato / Satin Brass
- BS** Bronzo satinato / Satin Bronze
- IT** Inox satinato / Satin S.Steel
- N** Nero / Black



BKT291D 25 ..

BKT391D 25 ..



BKT290D 25 ..

BKT390D 25 ..



BKT271D 25 ..

BKT371D 25 ..



BKT270D 25 ..

BKT370D 25 ..



BKT201D 25 ..

BKT301D 25 ..



BKT200D 25 ..

BKT300D 25 ..



BKT211D 25 ..

BKT311D 25 ..



BKT210D 25 ..

BKT310D 25 ..



BKT28AD 25 ..

BKT38AD 25 ..



BKT251QD 25 ..

BKT351QD 25 ..



BKT250QD 25 ..

BKT350QD 25 ..



- C** Cromo lucido / Bright Chrome
- T** Cromo satinato / Satin Chrome
- 2** PVD Ottone / PVD Brass
- BS** Bronzo satinato / Satin Bronze
- IT** Inox satinato / Satin S.Steel
- N** Nero / Black



BKT251WD 25 ..

BKT351WD 25 ..



BKT250WD 25 ..

BKT350WD 25 ..


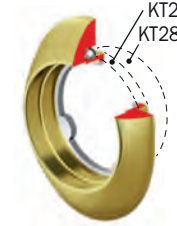

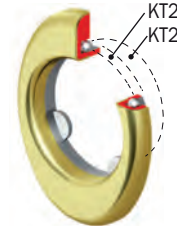

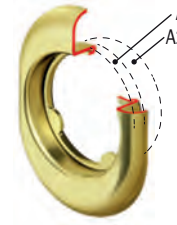



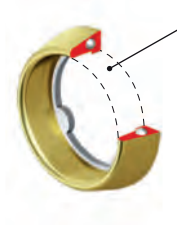

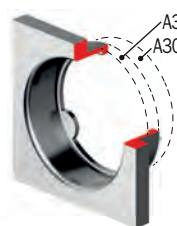

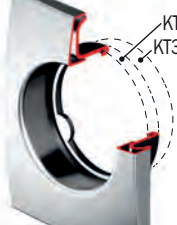
pag.

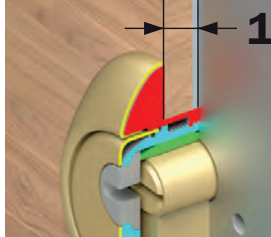

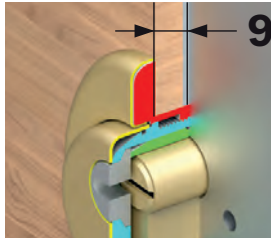

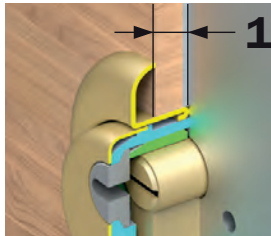

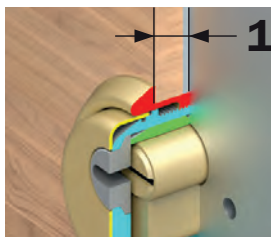

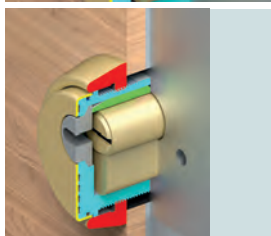

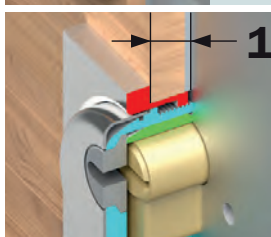

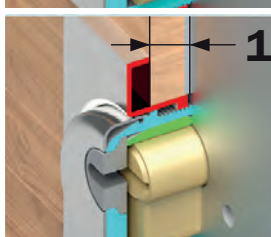



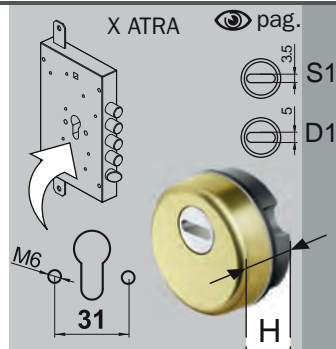
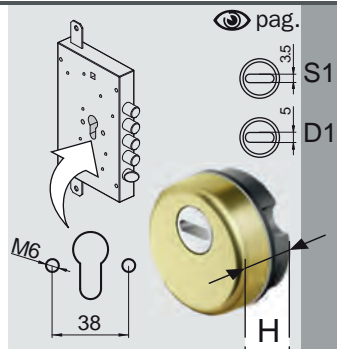
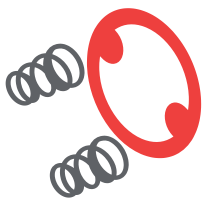
- C** Cromo lucido / Bright Chrome
- T** Cromo satinato / Satin Chrome
- B** Bronzo / Bronze
- 2** PVD Ottone / PVD Brass
- BS** Bronzo satinato / Satin Bronze
- IT** Inox satinato / Satin S.Steel
- N** Nero / Black



- A1561..**
- C** Cromo lucido
 - T** Bright Chrome
 - B** Cromo satinato
 - 2** Satin Chrome
 - T** Bronzo
 - BS** Bronzo satinato
 - T** Satin Bronze
 - N** Nero
 - Black**

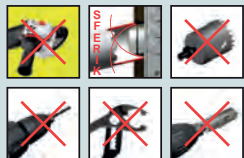
<p>SUPER TOP 86x66</p>	  <p>KT2896TK h7 KT2897TK h11</p>
<p>TOP 88x68</p>	  <p>KT2002TK h5 KT2001TK h9</p>
<p>MONOLITO 88x68</p>	  <p>A2815 h5 A2816 h11</p>
<p>MILANO Ø 65</p>	  <p>A1612TK h5 A1936TK h11</p>
<p>MONOLITO E Ø 65</p>	  <p>A2199TK</p>
<p>QUADRA 65x65</p>	  <p>A3171TK h5 A3060TK h11</p>
<p>QUADRY 84x64</p>	  <p>KT3481TK h5 KT3482TK h11</p>

 <p>11 min</p>	
 <p>9 min</p>	
 <p>11 min</p>	
 <p>11 min</p>	
 <p>11 min</p>	
 <p>11 min</p>	
 <p>11 min</p>	



**FINITURE
FINISHES**

- C** Cromo lucido
Bright Chrome
- T** Cromo satinato
Satin Chrome
- B** Bronzo
Bronze
- 2** PVD Ottone
PVD Brass
- TT** Ottone satinato
Satin Brass
- BS** Bronzo satinato
Satin Bronze
- IT** Inox satinato
Satin S.Steel
- N** Nero
Black



BKF290D 25 ..



BKF390D 25 ..

..

..



BKF270D 25 ..



BKF370D 25 ..

..

..



BKF200D 25 ..



BKF300D 25 ..

..

..



BKF210D 25 ..



BKF310D 25 ..

..

..



BKF28AD 25 ..



BKF38AD 25 ..

..

..



BKF250QD 25 ..



BKF350QD 25 ..



- C** Cromo lucido
Bright Chrome
- T** Cromo satinato
Satin Chrome
- 2** PVD Ottone
PVD Brass
- BS** Bronzo satinato
Satin Bronze
- IT** Inox satinato
Satin S.Steel
- N** Nero
Black



BKF250WD 25 ..

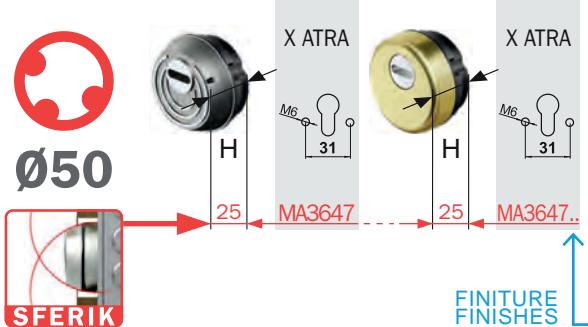
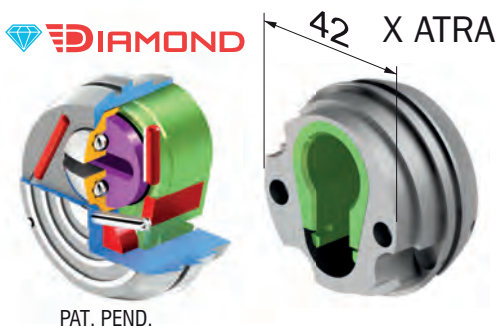


BKF350WD 25 ..

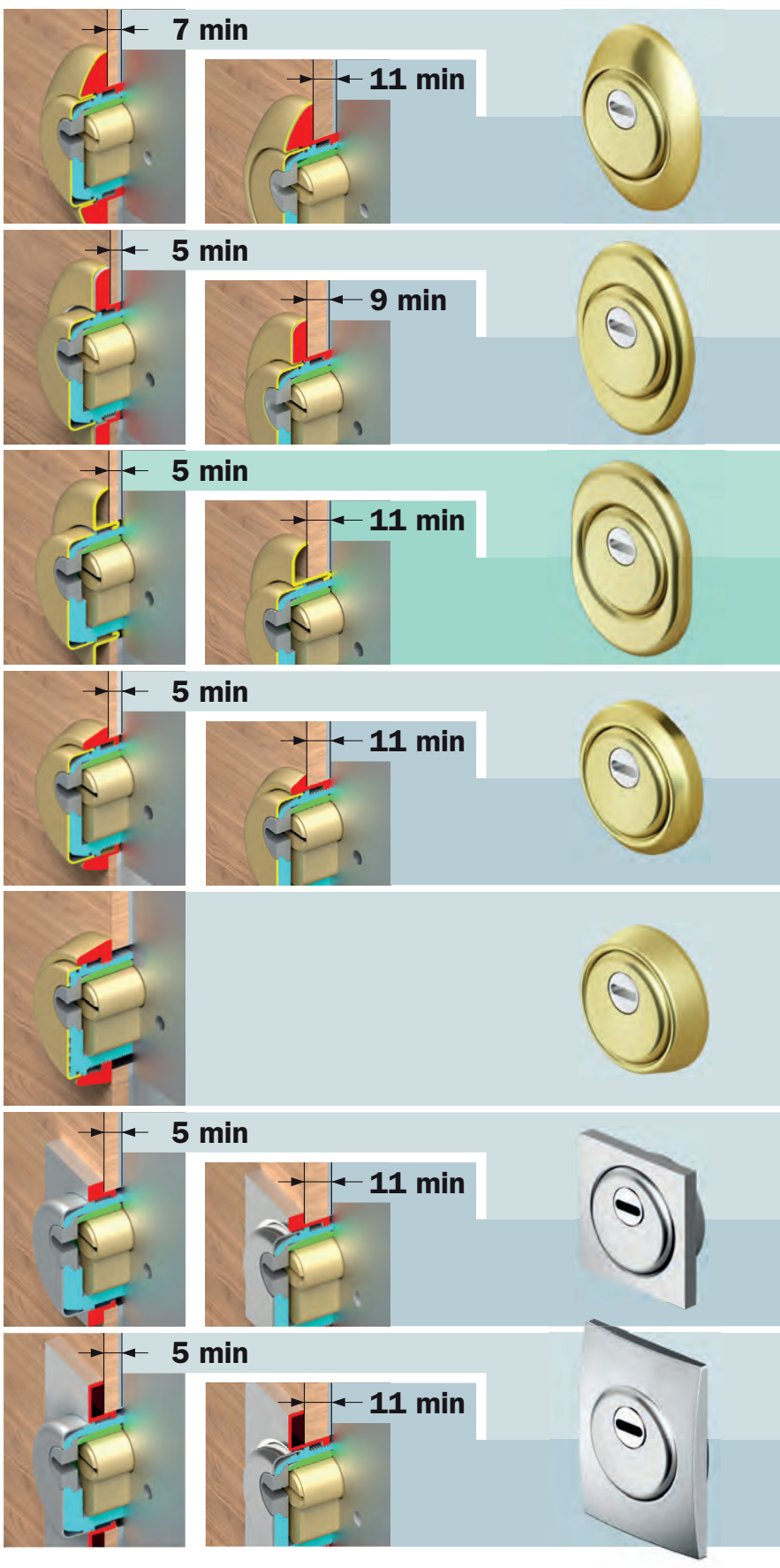
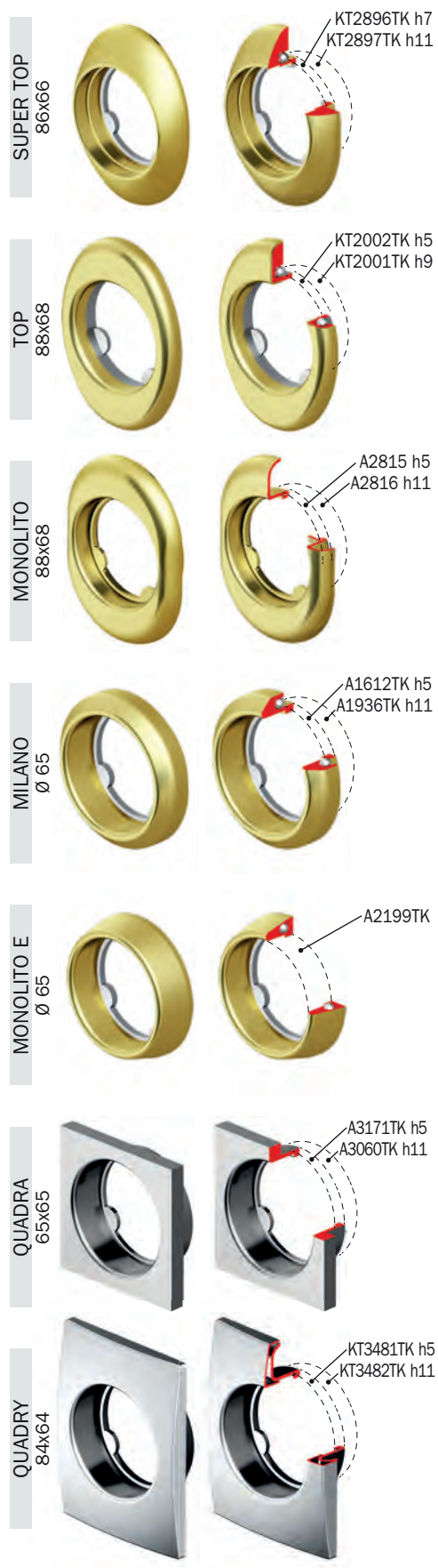
pag.

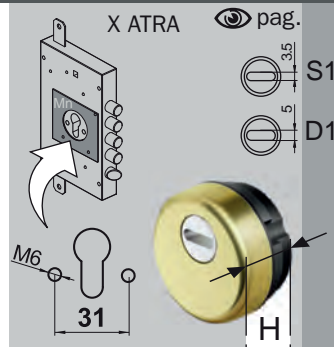
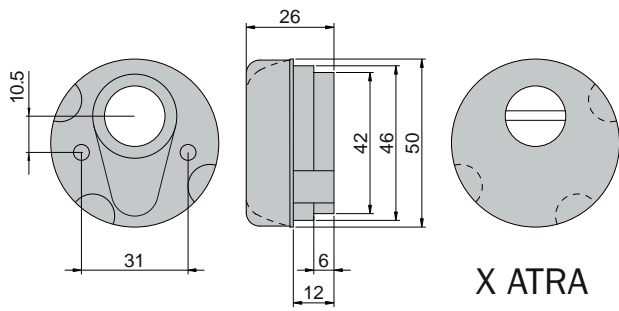


- C** Cromo lucido
Bright Chrome
- T** Cromo satinato
Satin Chrome
- B** Bronzo
Bronze
- 2** PVD Ottone
PVD Brass
- BS** Bronzo satinato
Satin Bronze
- IT** Inox satinato
Satin S.Steel
- N** Nero
Black



- A1561..**
- C Cromo lucido
 - T Bright Chrome
 - B Cromo satinato
 - S Satin Chrome
 - 2 Bronzo
 - P PVD Ottone
 - T Satin Brass
 - BS Ottone satinato
 - S Satin Brass
 - T Bronzo satinato
 - S Satin Bronze
 - T Inox satinato
 - S Satin S.Steel
 - N Nero
 - Black





- FINITURE FINISHES**
- C** Cromo lucido / Bright Chrome
 - T** Cromo satinato / Satin Chrome
 - B** Bronzo / Bronze
 - 2** PVD Ottone / PVD Brass
 - IT** Ottone satinato / Satin Brass
 - BS** Bronzo satinato / Satin Bronze
 - IT** Inox satinato / Satin S.Steel
 - N** Nero / Black



BK321ST 25

BK320ST 25



BK321T 25

BK320T 25



BK321 25

BK320 25



BK321M 25

BK320M 25



BK321E 25



BK321Q 25 ..

BK320Q 25 ..



- C** Cromo lucido / Bright Chrome
- T** Cromo satinato / Satin Chrome
- 2** PVD Ottone / PVD Brass
- BS** Bronzo satinato / Satin Bronze
- IT** Inox satinato / Satin S.Steel
- N** Nero / Black



BK321W 25 ..

BK320W 25 ..



- C** Cromo lucido / Bright Chrome
- T** Cromo satinato / Satin Chrome
- B** Bronzo / Bronze
- 2** PVD Ottone / PVD Brass
- BS** Bronzo satinato / Satin Bronze
- IT** Inox satinato / Satin S.Steel
- N** Nero / Black



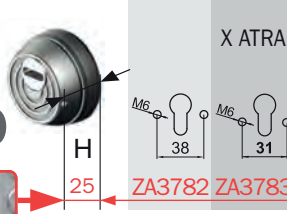
DIAMOND



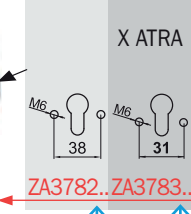
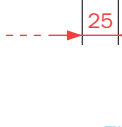
PAT. PEND.



Ø50



Ø50



FINITURE FINISHES

A0397..



- C Cromo lucido / Bright Chrome
- T Cromo satinato / Satin Chrome
- B Bronzo
- 2 PVD Ottone / PVD Brass
- TT Ottone satinato / Satin Brass
- BS Bronzo satinato / Satin Bronze
- IT Inox satinato / Satin S.Steel
- N Nero / Black



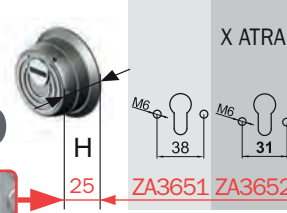
DIAMOND



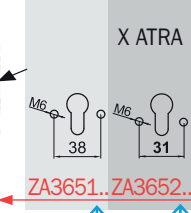
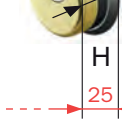
PAT. PEND.



Ø50



Ø50



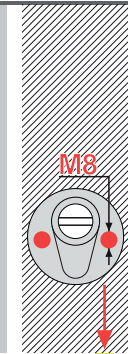
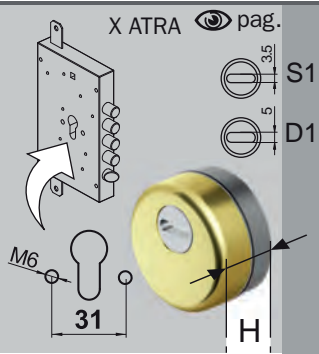
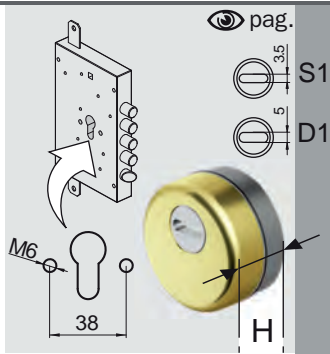
FINITURE FINISHES

A0397..



- C Cromo lucido / Bright Chrome
- T Cromo satinato / Satin Chrome
- B Bronzo
- 2 PVD Ottone / PVD Brass
- TT Ottone satinato / Satin Brass
- BS Bronzo satinato / Satin Bronze
- IT Inox satinato / Satin S.Steel
- N Nero / Black





FINITURE FINISHES

- C** Cromo lucido / Bright Chrome
- T** Cromo satinato / Satin Chrome
- B** Bronzo / Bronze
- 2** PVD Ottone / PVD Brass
- TT** Ottone satinato / Satin Brass
- BS** Bronzo satinato / Satin Bronze
- IT** Inox satinato / Satin S.Steel
- N** Nero / Black



RKD16 25 .. P

RKD68 25 .. P

RKD16 8 25..
ESEMPIO CODICE



RKD16W 25 .. P

RKD68W 25 .. P

ESEMPIO DI CODICE PER VITI M8
EXAMPLE OF CODE FOR FIXING M8

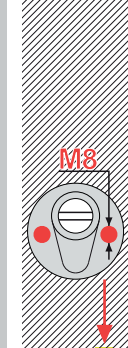
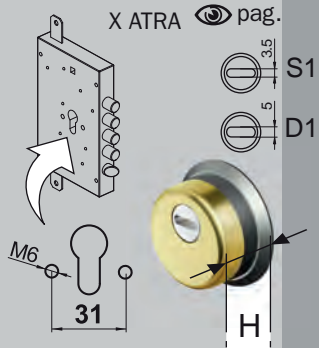
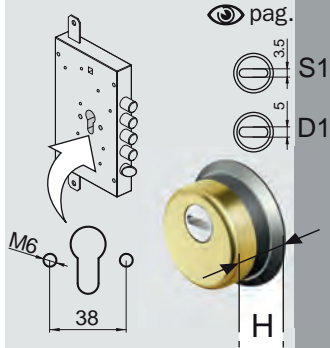
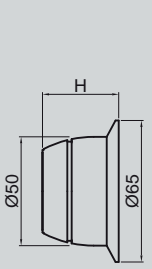


- C** Cromo lucido / Bright Chrome
- T** Cromo satinato / Satin Chrome
- B** Bronzo / Bronze
- 2** PVD Ottone / PVD Brass
- BS** Bronzo satinato / Satin Bronze
- IT** Inox satinato / Satin S.Steel
- N** Nero / Black



RKD16K 25 .. P

RKD68K 25 .. P



FINITURE FINISHES

- C** Cromo lucido / Bright Chrome
- T** Cromo satinato / Satin Chrome
- B** Bronzo / Bronze
- 2** PVD Ottone / PVD Brass
- TT** Ottone satinato / Satin Brass
- BS** Bronzo satinato / Satin Bronze
- IT** Inox satinato / Satin S.Steel
- N** Nero / Black



RKD42 25 .. P

RKD48 25 .. P

RKD42 8 25..
ESEMPIO CODICE



RKD42W 25 .. P

RKD48W 25 .. P

ESEMPIO DI CODICE PER VITI M8
EXAMPLE OF CODE FOR FIXING M8



- C** Cromo lucido / Bright Chrome
- T** Cromo satinato / Satin Chrome
- B** Bronzo / Bronze
- 2** PVD Ottone / PVD Brass
- BS** Bronzo satinato / Satin Bronze
- IT** Inox satinato / Satin S.Steel
- N** Nero / Black

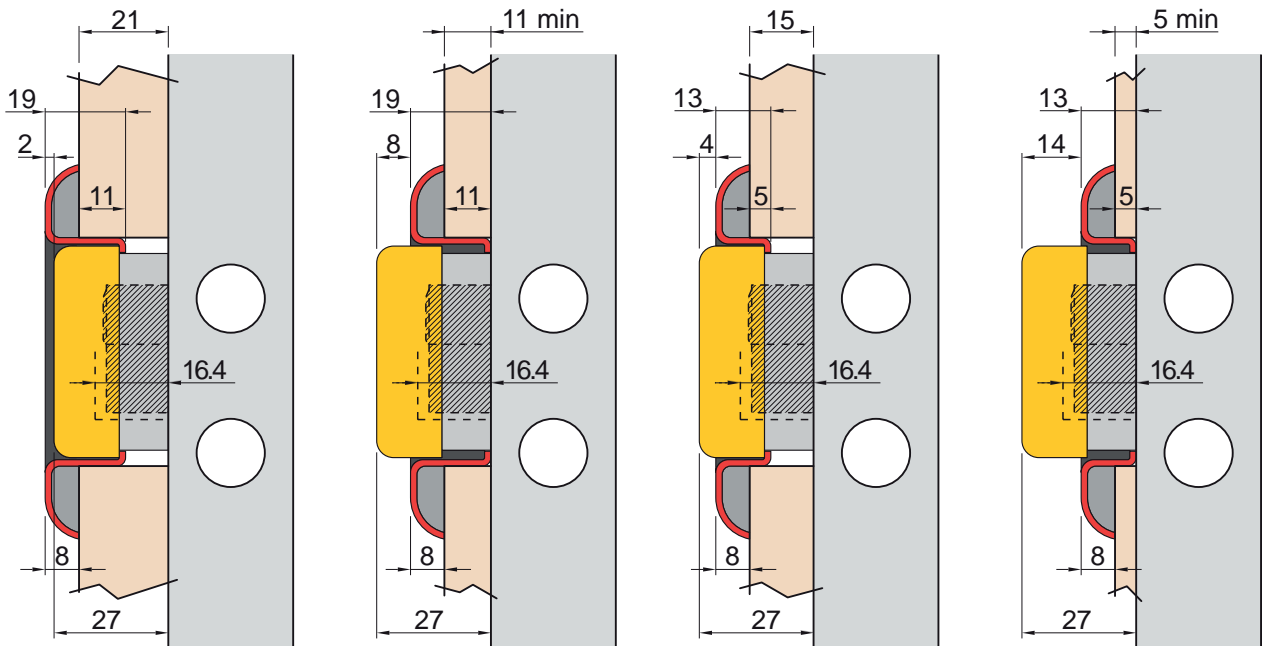
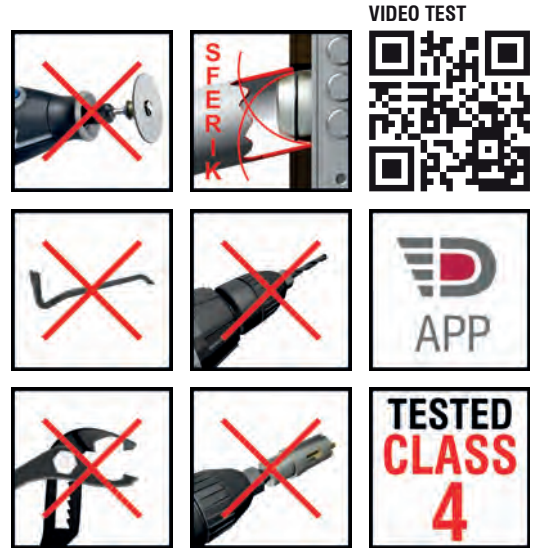
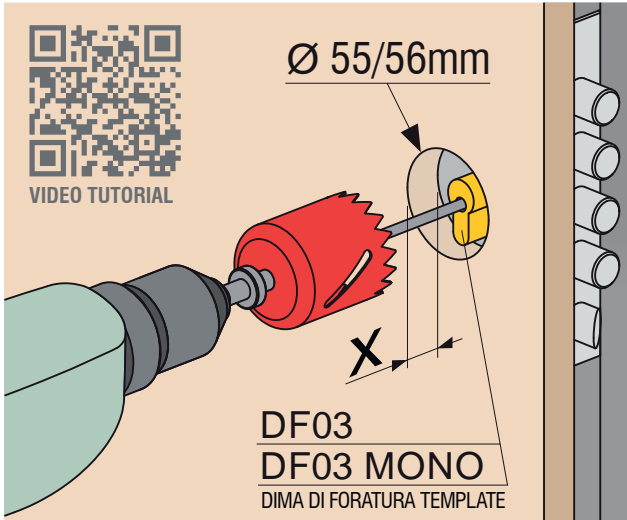


RKD42K 25 .. P

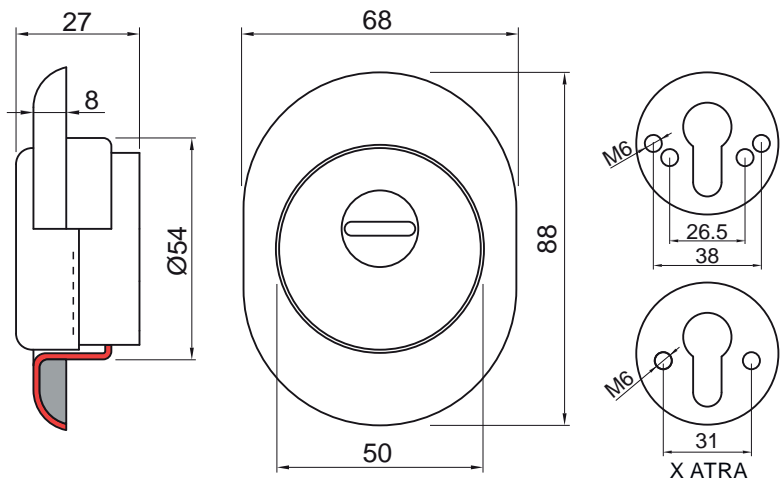
RKD48K 25 .. P



KRIPTON ROK SFERIK



VIDEO TEST



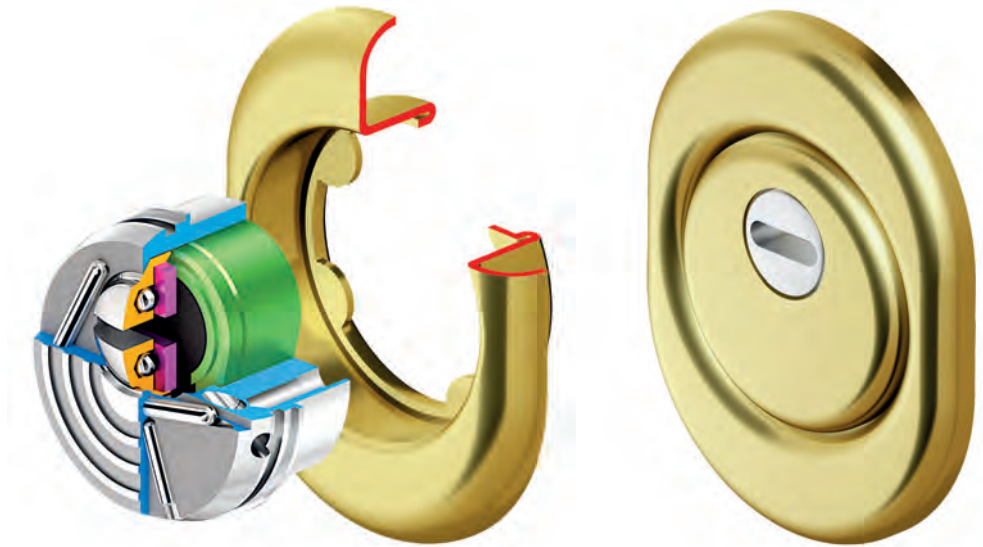
KRIPTON

ROK SFERIK

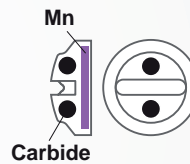
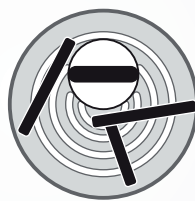
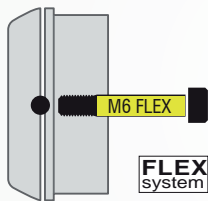
PAT. PEND.



GRADO 4



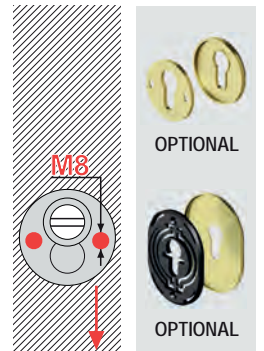
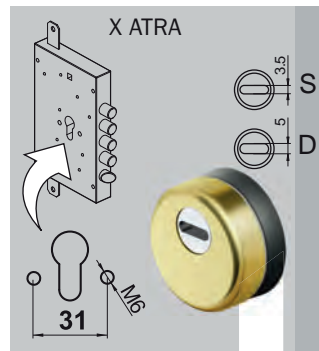
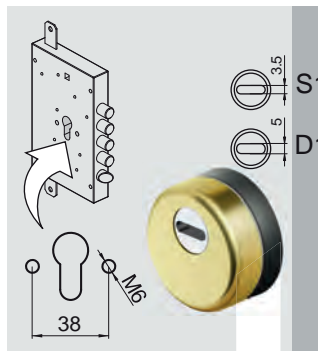
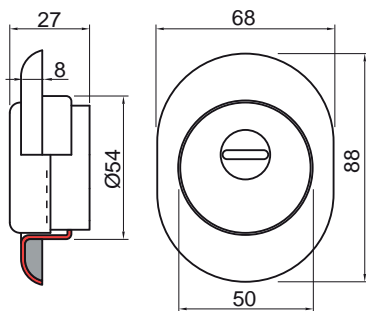
VIDEO:



CARBIDE

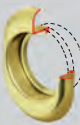







Mn CARBIDE








ANTISKETTING system



OPTIONAL

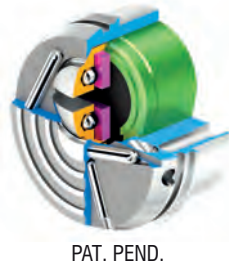
OPTIONAL

		5 min	BD251N 25 ..	BD351N 25 ..	BD250N 8 25 ESEMPIO CODICE
		11 min	BD250N 25 ..	BD350N 25 ..	ESEMPIO DI CODICE PER VITI M8 EXAMPLE OF CODE FOR FIXING M8
		5 min	BD201N 25 ..	BD301N 25 ..	
		11 min	BD200N 25 ..	BD300N 25 ..	

- FINITURE**
-  Cromo lucido / Bright Chrome
 -  Cromo satinato / Satin Chrome
 -  Bronzo / Bronze
 -  PVD Ottone / PVD Brass
 -  Bronzo satinato / Satin Bronze
 -  Inox satinato / Satin S. Steel
 -  Nero / Black

ESEMPIO CODICE / EXAMPLE CODE:

XXXXX  H D1/S1   



PAT. PEND.

FILETTATO



Ø50



H	MA3633	MA3634
20		
25	MA3527	MA3526
35	MA3626	MA3625
45	MA3628	MA3627

X ATRA

H	MA3633..	MA3634..
20		
25	MA3527..	MA3526..
35	MA3626..	MA3625..
45	MA3628..	MA3627..

X ATRA

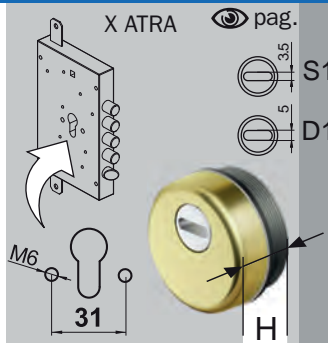
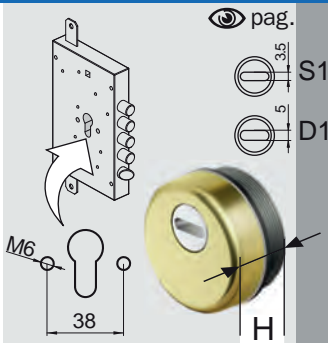
A2209.. H 20
A1561.. H 25/35/45

C	Cromo lucido
T	Bright Chrome
	Cromo satinato
B	Satin Chrome
	Bronzo
	Bronze
2	PVD Ottone
	PVD Brass
TT	Ottone satinato
	Satin Brass
BS	Bronzo satinato
	Satin Bronze
IT	Inox satinato
	Satin S.Steel
N	Nero
	Black

FINITURE FINISHES

SUPER TOP 86x66		 KT2896 h7 KT2897 h11
TOP 88x68		 KT2002 h5 KT2001 h9
MONOLITO 88x68		 A2082 h5 A1559 h11
MILANO Ø 65		 A1612 h5 A1936 h11
MONOLITO E Ø 65		 A2199
QUADRA 65x65		 A3171 h5 A3060 h11
QUADRY 84x64		 KT3481 h5 KT3482 h11

FILETTATO



FINITURE FINISHES

- C** Cromo lucido / Bright Chrome
- T** Cromo satinato / Satin Chrome
- B** Bronzo / Bronze
- 2** PVD Ottone / PVD Brass
- TT** Ottone satinato / Satin Brass
- BS** Bronzo satinato / Satin Bronze
- IT** Inox satinato / Satin S.Steel
- N** Nero / Black



BD291N 20 ..
BD291N 25 ..
 BD291N 35 ..
 BD291N 45 ..
 BD290N 20 ..
BD290N 25 ..
 BD290N 35 ..
 BD290N 45 ..

BD391N 20 ..
BD391N 25 ..
 BD391N 35 ..
 BD391N 45 ..
 BD390N 20 ..
BD390N 25 ..
 BD390N 35 ..
 BD390N 45 ..

BD291N 8 25..
 ESEMPIO CODICE



BD271N 20 ..
BD271N 25 ..
 BD271N 35 ..
 BD271N 45 ..
 BD270N 20 ..
BD270N 25 ..
 BD270N 35 ..
 BD270N 45 ..

BD371N 20 ..
BD371N 25 ..
 BD371N 35 ..
 BD371N 45 ..
 BD370N 20 ..
BD370N 25 ..
 BD370N 35 ..
 BD370N 45 ..

EXAMPLE OF CODE FOR FIXING M8



BD251N 20 ..
BD251N 25 ..
 BD251N 35 ..
 BD251N 45 ..
 BD250N 20 ..
BD250N 25 ..
 BD250N 35 ..
 BD250N 45 ..

BD351N 20 ..
BD351N 25 ..
 BD351N 35 ..
 BD351N 45 ..
 BD350N 20 ..
BD350N 25 ..
 BD350N 35 ..
 BD350N 45 ..



BD261N 20 ..
BD261N 25 ..
 BD261N 35 ..
 BD261N 45 ..
 BD260N 20 ..
BD260N 25 ..
 BD260N 35 ..
 BD260N 45 ..

BD361N 20 ..
BD361N 25 ..
 BD361N 35 ..
 BD361N 45 ..
 BD360N 20 ..
BD360N 25 ..
 BD360N 35 ..
 BD360N 45 ..

ESEMPIO DI CODICE PER VITI M8



BD28AN 20 ..
BD28AN 25 ..
 BD28AN 35 ..
 BD28AN 45 ..

BD38AN 20 ..
BD38AN 25 ..
 BD38AN 35 ..
 BD38AN 45 ..



BD251QN 20 ..
BD251QN 25 ..
 BD251QN 35 ..
 BD251QN 45 ..
 BD250QN 20 ..
BD250QN 25 ..
 BD250QN 35 ..
 BD250QN 45 ..

BD351QN 20 ..
BD351QN 25 ..
 BD351QN 35 ..
 BD351QN 45 ..
 BD350QN 20 ..
BD350QN 25 ..
 BD350QN 35 ..
 BD350QN 45 ..



pag.



BD251WN 20 ..
BD251WN 25 ..
 BD251WN 35 ..
 BD251WN 45 ..
 BD250WN 20 ..
BD250WN 25 ..
 BD250WN 35 ..
 BD250WN 45 ..

BD351WN 20 ..
BD351WN 25 ..
 BD351WN 35 ..
 BD351WN 45 ..
 BD350WN 20 ..
BD350WN 25 ..
 BD350WN 35 ..
 BD350WN 45 ..



- C** Cromo lucido / Bright Chrome
- T** Cromo satinato / Satin Chrome
- 2** PVD Ottone / PVD Brass
- BS** Bronzo satinato / Satin Bronze
- IT** Inox satinato / Satin S.Steel
- N** Nero / Black

- C** Cromo lucido / Bright Chrome
- T** Cromo satinato / Satin Chrome
- B** Bronzo / Bronze
- 2** PVD Ottone / PVD Brass
- BS** Bronzo satinato / Satin Bronze
- IT** Inox satinato / Satin S.Steel
- N** Nero / Black

	X ATRA	X CR		X ATRA	X CR
Ø50	MA3636	MA3635	MA2366	MA3636..	MA3635..
H 20	MA3524	MA3523	MA2051	MA3524..	MA3523..
H 25	MA3630	MA3629	MA2055	MA3630..	MA3629..
H 35	MA3632	MA3631	MONOLITO VERSIONE 2015	MA3632..	MA3631..
H 45					

	X ATRA	X CR
A2209.. H 20	MA3636..	MA3635..
A1561.. H 25/35/45	MA3524..	MA3523..
	MA3630..	MA3629..
	MA3632..	MA3631..

- C** Cromo lucido / Bright Chrome
- T** Cromo satinato / Satin Chrome
- B** Bronzo / Bronze
- 2** PVD Ottone / PVD Brass
- TT** Ottone satinato / Satin Brass
- BS** Bronzo satinato / Satin Bronze
- IT** Inox satinato / Satin S.Steel
- N** Nero / Black

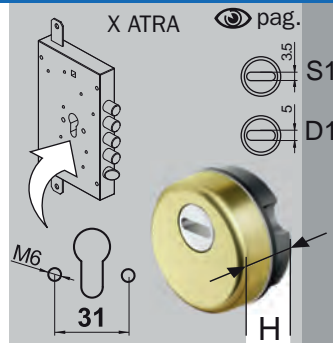
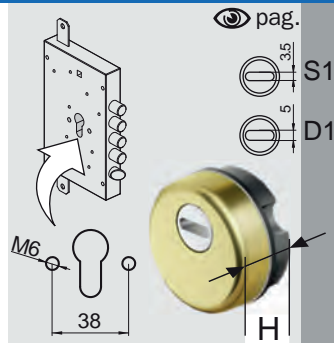
PAT. PEND.

SFERIK

SUPER TOP 86x66		KT2896TK h7 KT2897TK h11
TOP 88x68		KT2002TK h5 KT2001TK h9
MONOLITO 88x68		A2815 h5 A2816 h11
MILANO Ø 65		A1612TK h5 A1936TK h11
MONOLITO E Ø 65		A2199TK
QUADRA 65x65		A3171TK h5 A3060TK h11
QUADRY 84x64		KT3481TK h5 KT3482TK h11

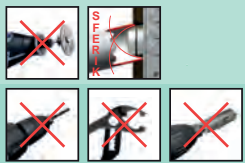
	7 min		11 min	
	5 min		9 min	
	5 min		11 min	
	5 min		11 min	
	5 min		11 min	
	5 min		11 min	
	5 min		11 min	

FINITURE FINISHES



**FINITURE
FINISHES**

- C** Cromo lucido
Bright Chrome
- T** Cromo satinato
Satin Chrome
- B** Bronzo
Bronze
- 2** PVD Ottone
PVD Brass
- TT** Ottone satinato
Satin Brass
- BS** Bronzo satinato
Satin Bronze
- IT** Inox satinato
Satin S.Steel
- N** Nero
Black



BDT291N	20	..
BDT291N	25	..
BDT291N	35	..
BDT291N	45	..
BDT290N	20	..
BDT290N	25	..
BDT290N	35	..
BDT290N	45	..
BDT271N	20	..
BDT271N	25	..
BDT271N	35	..
BDT271N	45	..
BDT270N	20	..
BDT270N	25	..
BDT270N	35	..
BDT270N	45	..
BD201N	20	..
BD201N	25	..
BD201N	35	..
BD201N	45	..
BD200N	20	..
BD200N	25	..
BD200N	35	..
BD200N	45	..
BDT211N	20	..
BDT211N	25	..
BDT211N	35	..
BDT211N	45	..
BDT210N	20	..
BDT210N	25	..
BDT210N	35	..
BDT210N	45	..
BDT28AN	20	..
BDT28AN	25	..
BDT28AN	35	..
BDT28AN	45	..
BDT251QN	20	..
BDT251QN	25	..
BDT251QN	35	..
BDT251QN	45	..
BDT250QN	20	..
BDT250QN	25	..
BDT250QN	35	..
BDT250QN	45	..
BDT251WN	20	..
BDT251WN	25	..
BDT251WN	35	..
BDT251WN	45	..
BDT250WN	20	..
BDT250WN	25	..
BDT250WN	35	..
BDT250WN	45	..

BDT391N	20	..
BDT391N	25	..
BDT391N	35	..
BDT391N	45	..
BDT390N	20	..
BDT390N	25	..
BDT390N	35	..
BDT390N	45	..
BDT371N	20	..
BDT371N	25	..
BDT371N	35	..
BDT371N	45	..
BDT370N	20	..
BDT370N	25	..
BDT370N	35	..
BDT370N	45	..
BD301N	20	..
BD301N	25	..
BD301N	35	..
BD301N	45	..
BD300N	20	..
BD300N	25	..
BD300N	35	..
BD300N	45	..
BDT311N	20	..
BDT311N	25	..
BDT311N	35	..
BDT311N	45	..
BDT310N	20	..
BDT310N	25	..
BDT310N	35	..
BDT310N	45	..
BDT38AN	20	..
BDT38AN	25	..
BDT38AN	35	..
BDT38AN	45	..
BDT351QN	20	..
BDT351QN	25	..
BDT351QN	35	..
BDT351QN	45	..
BDT350QN	20	..
BDT350QN	25	..
BDT350QN	35	..
BDT350QN	45	..
BDT351WN	20	..
BDT351WN	25	..
BDT351WN	35	..
BDT351WN	45	..
BDT350WN	20	..
BDT350WN	25	..
BDT350WN	35	..
BDT350WN	45	..

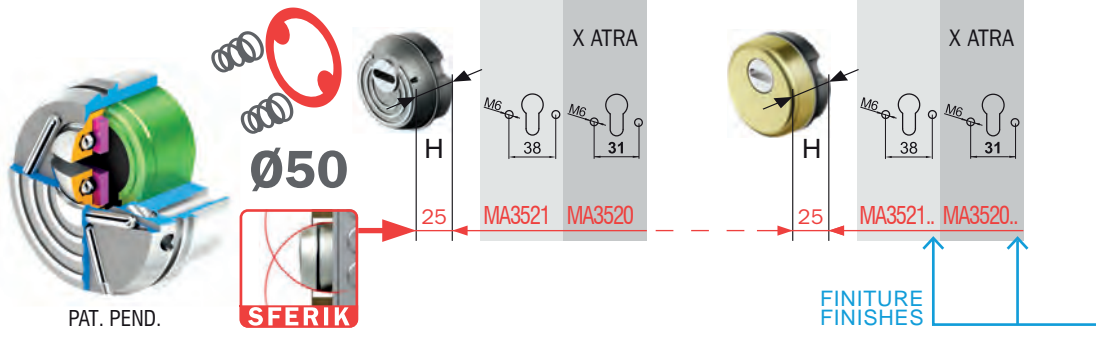


pag.

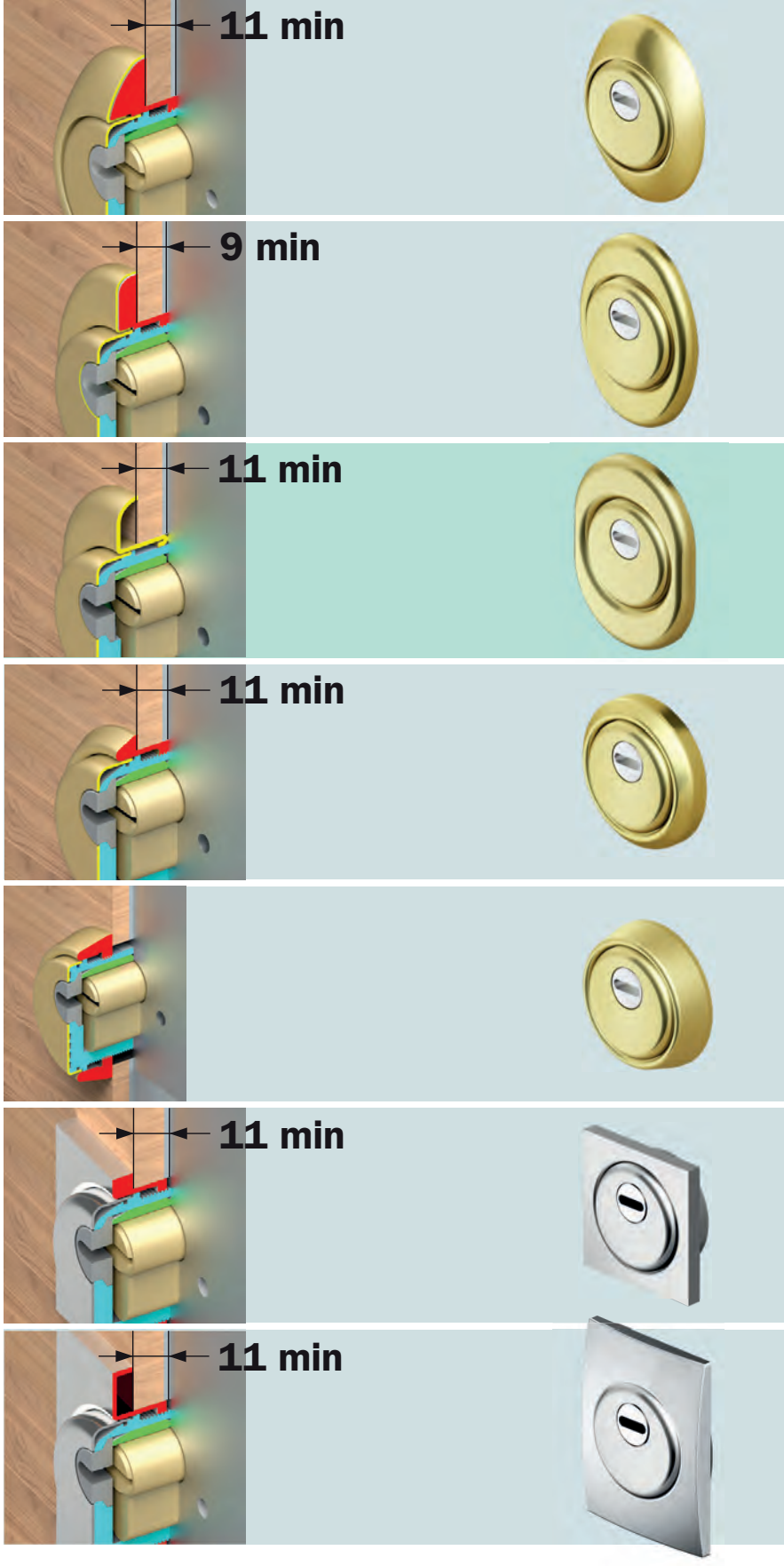
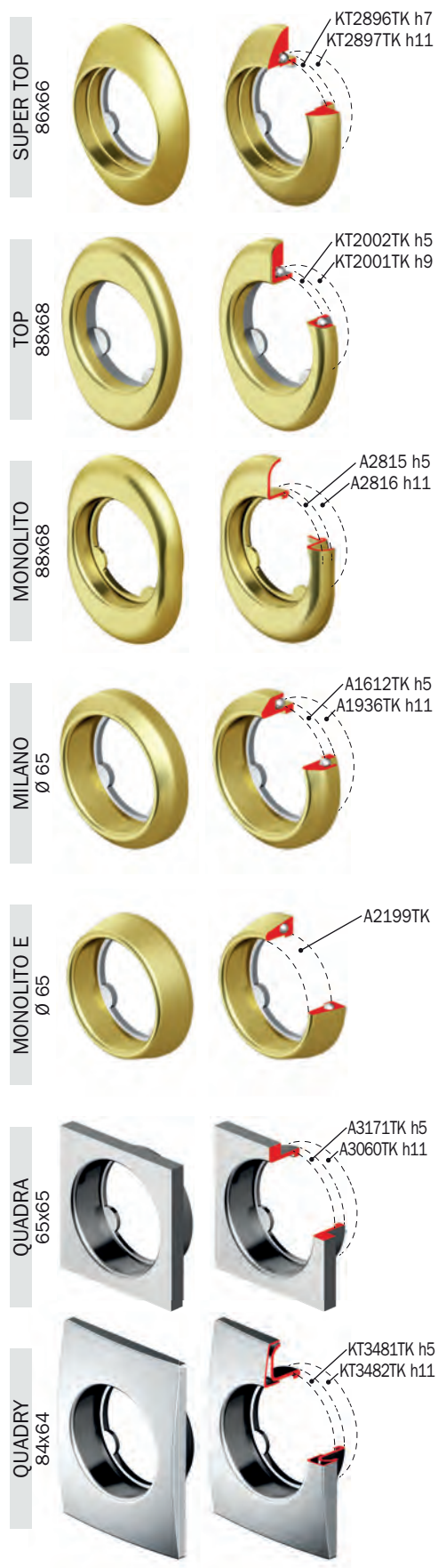


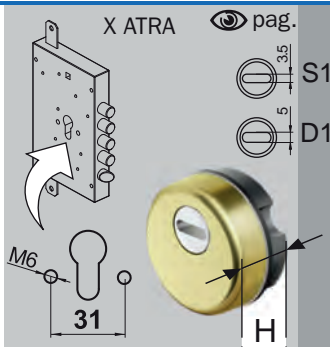
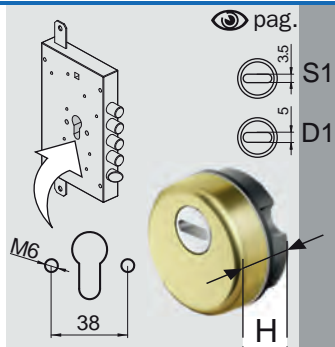
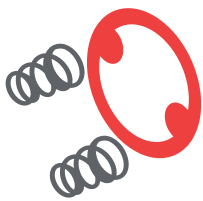
- C** Cromo lucido
Bright Chrome
- T** Cromo satinato
Satin Chrome
- 2** PVD Ottone
PVD Brass
- BS** Bronzo satinato
Satin Bronze
- IT** Inox satinato
Satin S.Steel
- N** Nero
Black

- C** Cromo lucido
Bright Chrome
- T** Cromo satinato
Satin Chrome
- B** Bronzo
Bronze
- 2** PVD Ottone
PVD Brass
- BS** Bronzo satinato
Satin Bronze
- IT** Inox satinato
Satin S.Steel
- N** Nero
Black



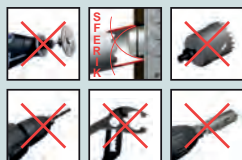
- A1561..**
- C Cromo lucido / Bright Chrome
 - T Cromo satinato / Satin Chrome
 - B Bronzo / Bronze
 - 2 PVD Ottone / PVD Brass
 - TT Ottone satinato / Satin Brass
 - BS Bronzo satinato / Satin Bronze
 - IT Inox satinato / Satin S.Steel
 - N Nero / Black





**FINITURE
FINISHES**

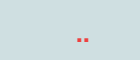
- C** Cromo lucido
Bright Chrome
- T** Cromo satinato
Satin Chrome
- B** Bronzo
Bronze
- 2** PVD Ottone
PVD Brass
- IT** Ottone satinato
Satin Brass
- BS** Bronzo satinato
Satin Bronze
- IT** Inox satinato
Satin S.Steel
- N** Nero
Black



BFT290 25 ..



BFT390 25 ..



BFT270 25 ..



BFT370 25 ..



BF200 25 ..



BF300 25 ..



BFT210 25 ..



BFT310 25 ..



BFT28A 25 ..



BFT38A 25 ..



BFT250Q 25 ..



BFT350Q 25 ..



pag.



BFT250W 25 ..

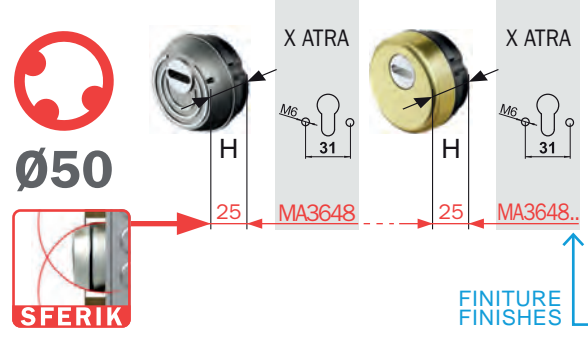
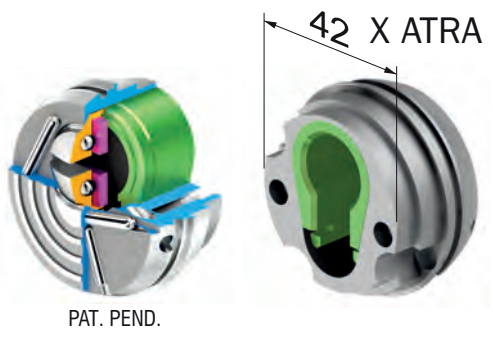


BFT350W 25 ..



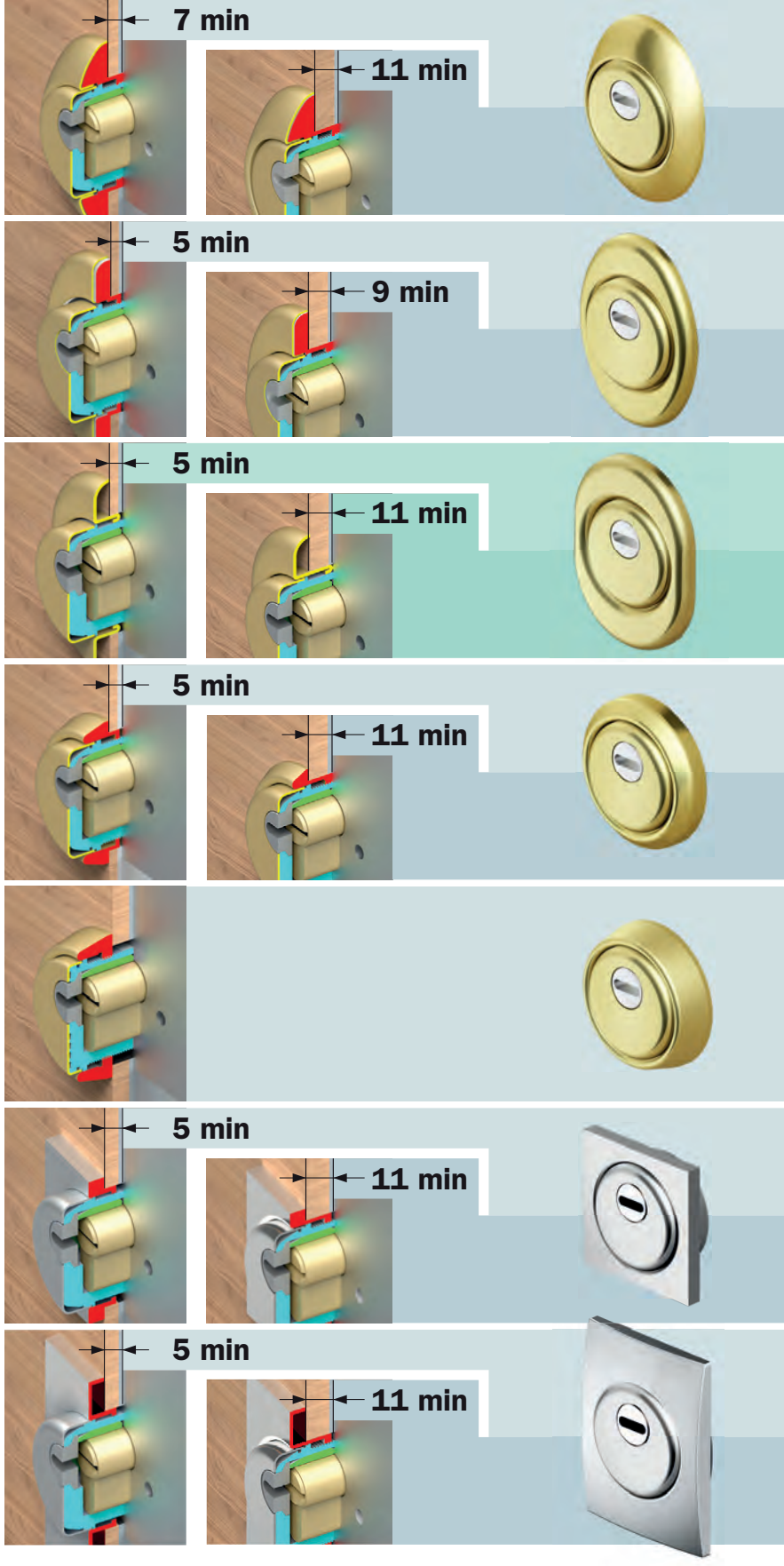
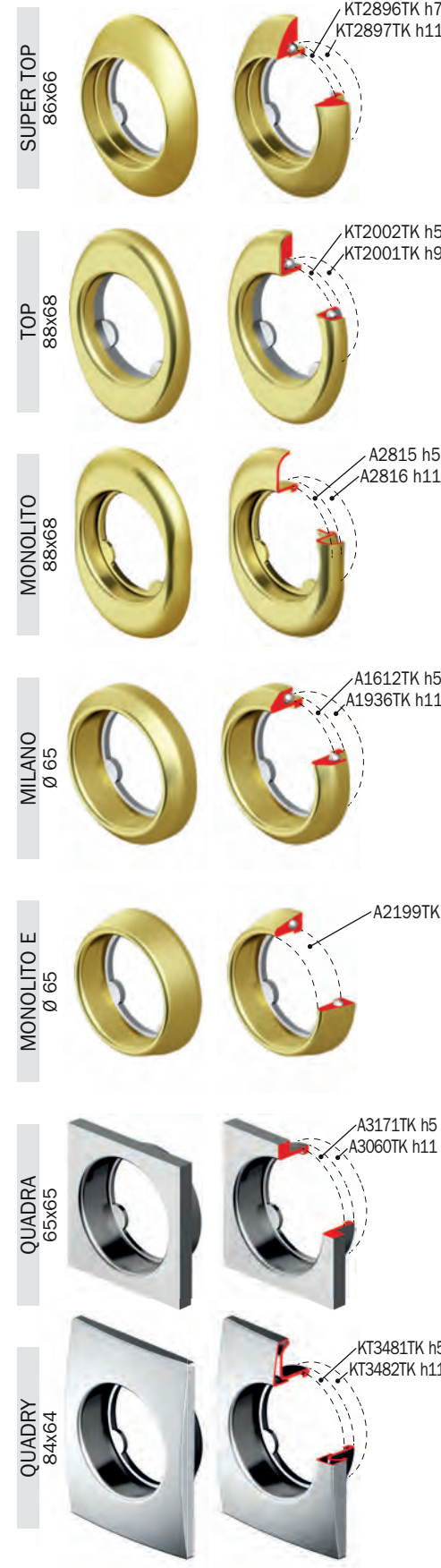
- C** Cromo lucido
Bright Chrome
- T** Cromo satinato
Satin Chrome
- 2** PVD Ottone
PVD Brass
- BS** Bronzo satinato
Satin Bronze
- IT** Inox satinato
Satin S.Steel
- N** Nero
Black

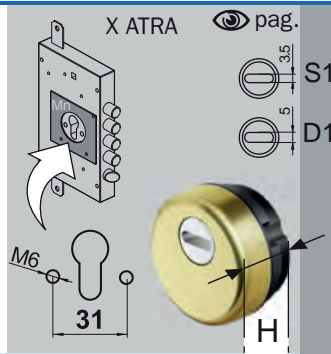
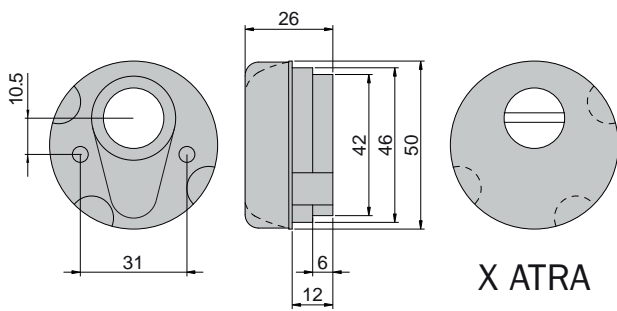
- C** Cromo lucido
Bright Chrome
- T** Cromo satinato
Satin Chrome
- B** Bronzo
Bronze
- 2** PVD Ottone
PVD Brass
- BS** Bronzo satinato
Satin Bronze
- IT** Inox satinato
Satin S.Steel
- N** Nero
Black



A1561..

C	Cromo lucido
	Bright Chrome
T	Cromo satinato
	Satin Chrome
B	Bronzo
	Bronze
2	PVD Ottone
	PVD Brass
TT	Ottone satinato
	Satin Brass
BS	Bronzo satinato
	Satin Bronze
IT	Inox satinato
	Satin S.Steel
N	Nero
	Black





**FINITURE
FINISHES**

- C** Cromo lucido
Bright Chrome
- T** Cromo satinato
Satin Chrome
- B** Bronzo
Bronze
- 2** PVD Ottone
PVD Brass
- TT** Ottone satinato
Satin Brass
- BS** Bronzo satinato
Satin Bronze
- IT** Inox satinato
Satin S.Steel
- N** Nero
Black



BD321ST 25



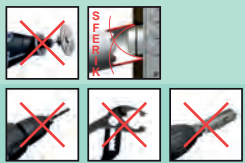
BD320ST 25



BD321T 25



BD320T 25



BD321N 25



BD320N 25



BD321M 25



BD320M 25



BD321E 25



BD321Q 25 ..



BD320Q 25 ..



pag.



BD321W 25 ..



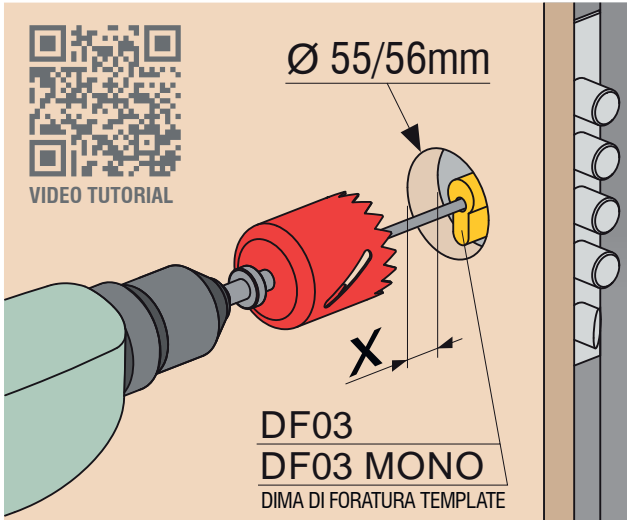
BD320W 25 ..



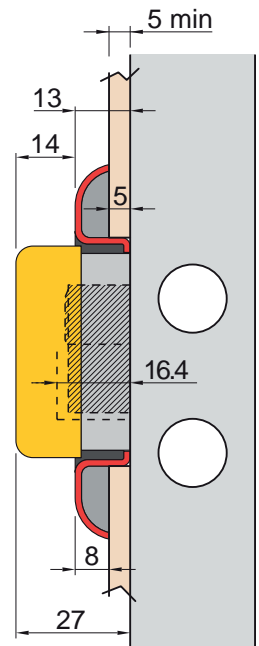
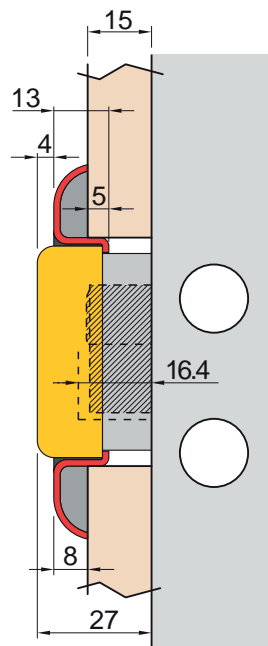
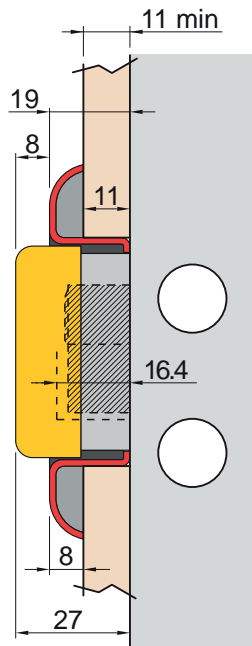
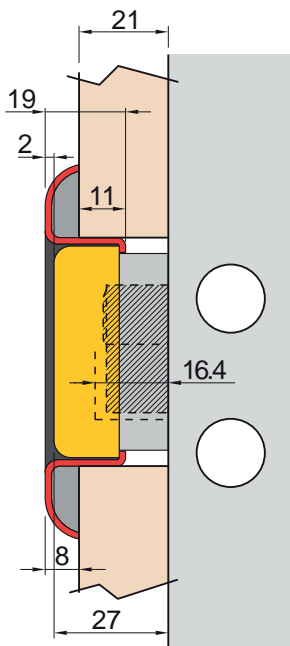
- C** Cromo lucido
Bright Chrome
- T** Cromo satinato
Satin Chrome
- B** Bronzo
Bronze
- 2** PVD Ottone
PVD Brass
- BS** Bronzo satinato
Satin Bronze
- IT** Inox satinato
Satin S.Steel
- N** Nero
Black



MONOLITO ROK SFERIK



VIDEO TEST

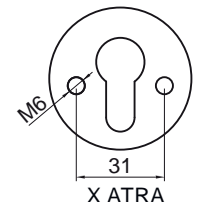
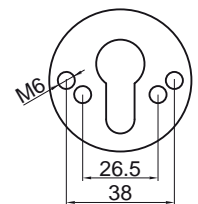
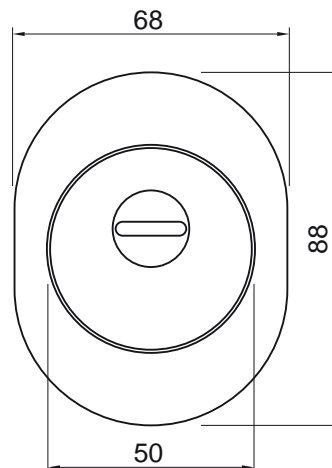
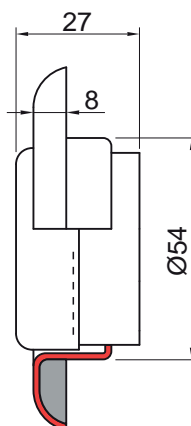


FLEX SYSTEM



5 VOLTE PIU' RESISTENTE DELLE VITI TRADIZIONALI 12.9

VIDEO TEST





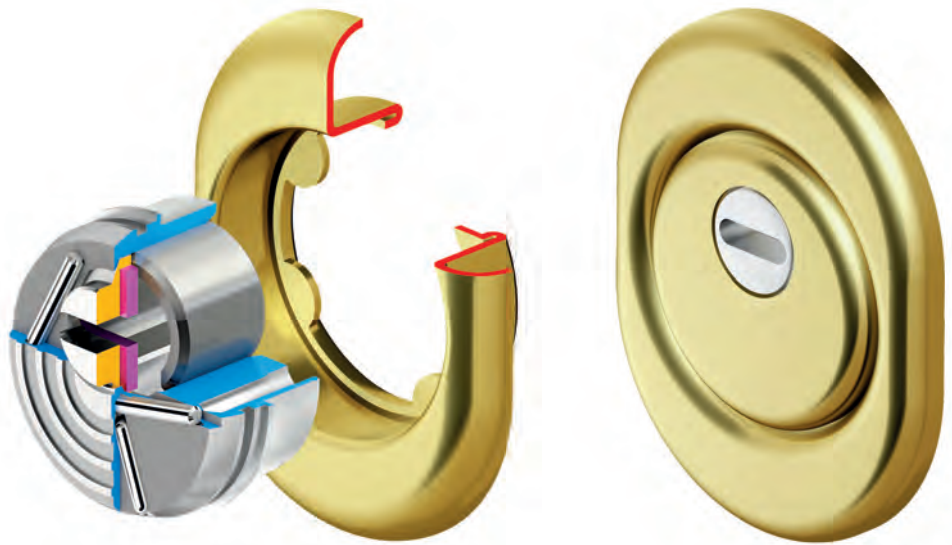
MONOLITO

ROK SFERIK

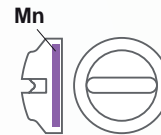
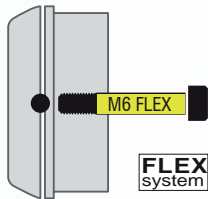
PAT. PEND.



GRADO 4

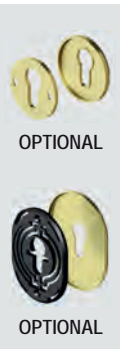
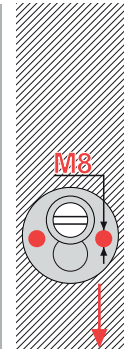
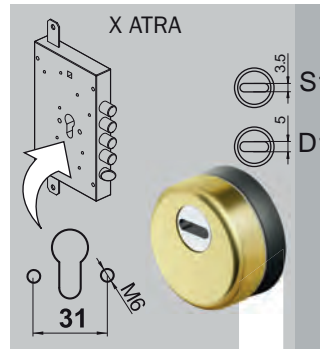
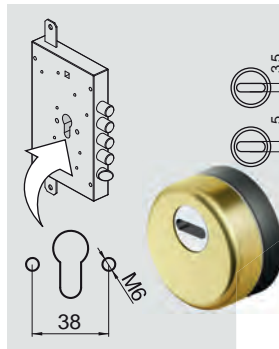
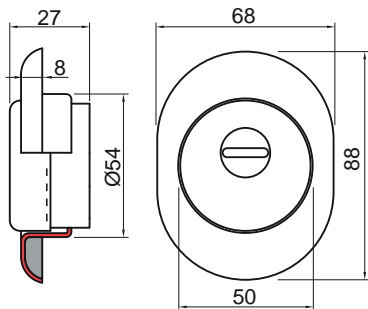


VIDEO:



HS CARBIDE

Mn



		BD251 25 ..	BD351 25 ..	BD250 8 25	ESEMPIO DI CODICE PER VITI M8 EXAMPLE OF CODE FOR FIXING M8	Cromo lucido Bright Chrome Cromo satinato Satin Chrome Bronzo Bronze PVD Ottone PVD Brass Bronzo satinato Satin Bronze Inox satinato Satin S.Steel Nero Black	FINITURE C T 2 BS TT N
		BD250 25 ..	BD350 25 ..	BD250 8 25 ESEMPIO CODICE			
		BD201 25 ..	BD301 25 ..	ESEMPIO DI CODICE PER VITI M8 EXAMPLE OF CODE FOR FIXING M8	Cromo lucido Bright Chrome Cromo satinato Satin Chrome Bronzo Bronze PVD Ottone PVD Brass Bronzo satinato Satin Bronze Inox satinato Satin S.Steel Nero Black	FINITURE C T 2 BS TT N	
		BD200 25 ..	BD300 25 ..				

ESEMPIO CODICE / EXAMPLE CODE:

XXXXX H D1/S1 C T 2

MONOLITO ROK SFERIK



PAT. PEND.

FILETTATO



Ø50



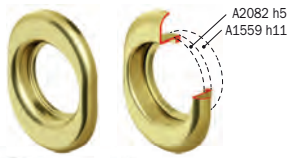
H	X ATRA
20	MA2371 MA2372
25	MA2665 MA2731
35	MA1927 MA1928
45	MA2702

H	X ATRA
20	MA2371.. MA2372..
25	MA2665.. MA2731..
35	MA1927.. MA1928..
45	MA2702..

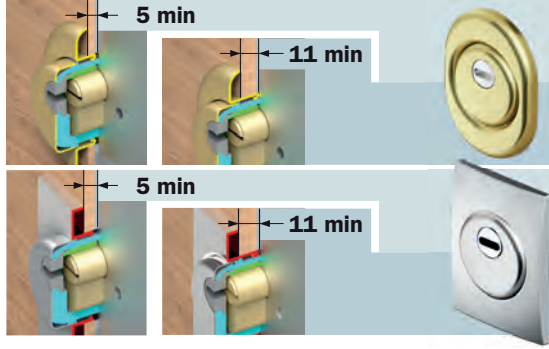
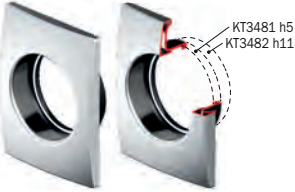
A2209.. H 20
A1561.. H 25/35/45

- C Cromo lucido
- T Bright Chrome
- C Cromo satinato
- T Satin Chrome
- B Bronzo
- B Bronze
- 2 PVD Ottone
- 2 PVD Brass
- TT Ottone satinato
- TT Satin Brass
- BS Bronzo satinato
- BS Satin Bronze
- IT Inox satinato
- IT Satin S.Steel
- N Nero
- N Black

MONOLITO 88x68



QUADRY 84x64



MONOLITO ROK SFERIK



PAT. PEND.

Ø50



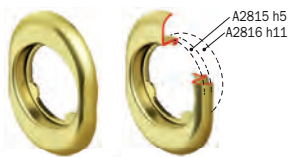
H	X ATRA
20	MA2365 MA2367
25	MA2871 MA2730
35	MA2053 MA2054
45	MA2685

H	X ATRA
20	MA2365.. MA2367..
25	MA2871.. MA2730..
35	MA2053.. MA2054..
45	MA2685..

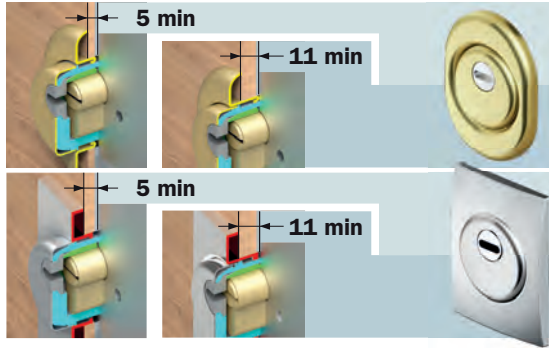
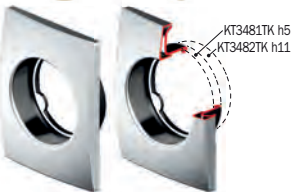
A2209.. H 20
A1561.. H 25/35/45

- C Cromo lucido
- T Bright Chrome
- C Cromo satinato
- T Satin Chrome
- B Bronzo
- B Bronze
- 2 PVD Ottone
- 2 PVD Brass
- TT Ottone satinato
- TT Satin Brass
- BS Bronzo satinato
- BS Satin Bronze
- IT Inox satinato
- IT Satin S.Steel
- N Nero
- N Black

MONOLITO 88x68



QUADRY 84x64



MONOLITO ROK SFERIK



PAT. PEND.

Ø50



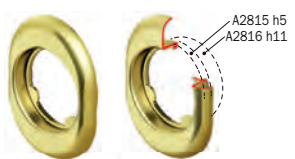
H	X ATRA
25	MA3817 MA3818

H	X ATRA
25	MA3817.. MA3818..

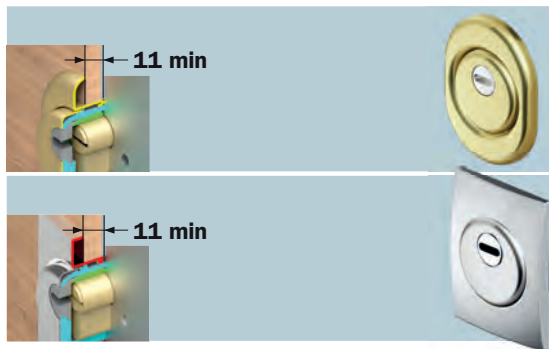
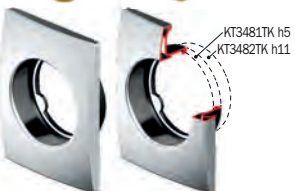
A2209.. H 20
A1561.. H 25/35/45

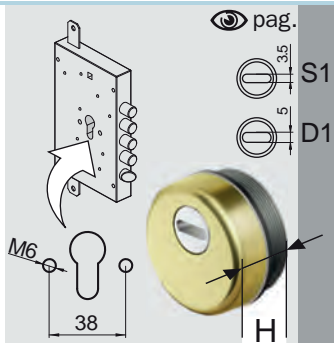
- C Cromo lucido
- T Bright Chrome
- C Cromo satinato
- T Satin Chrome
- B Bronzo
- B Bronze
- 2 PVD Ottone
- 2 PVD Brass
- TT Ottone satinato
- TT Satin Brass
- BS Bronzo satinato
- BS Satin Bronze
- IT Inox satinato
- IT Satin S.Steel
- N Nero
- N Black

MONOLITO 88x68

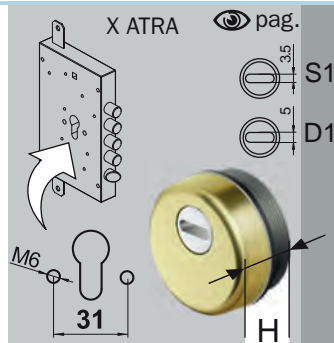


QUADRY 84x64

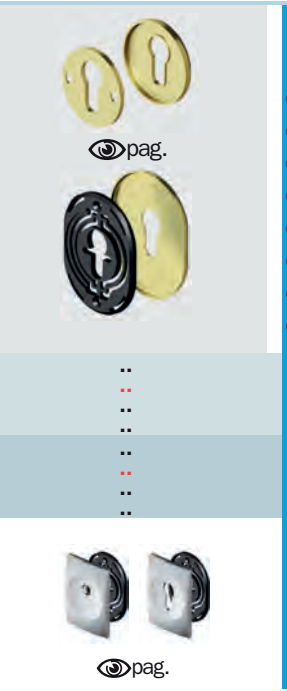
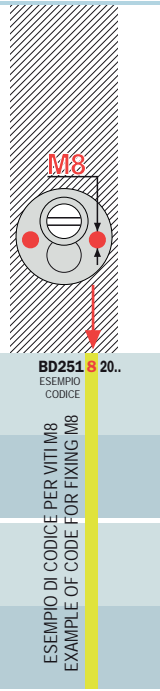




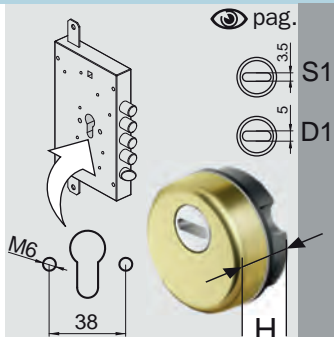
BD251	20	..
BD251	25	..
BD251	35	..
BD251	45	..
BD250	20	..
BD250	25	..
BD250	35	..
BD250	45	..
BD251W	20	..
BD251W	25	..
BD251W	35	..
BD251W	45	..
BD250W	20	..
BD250W	25	..
BD250W	35	..
BD250W	45	..



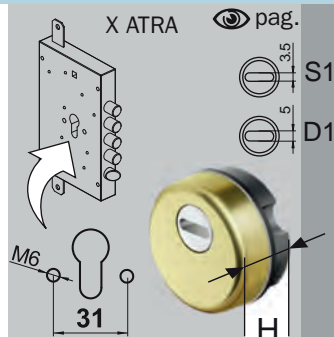
BD351	20	..
BD351	25	..
BD351	35	..
BD350	20	..
BD350	25	..
BD350	35	..
BD351W	20	..
BD351W	25	..
BD351W	35	..
BD350W	20	..
BD350W	25	..
BD350W	35	..



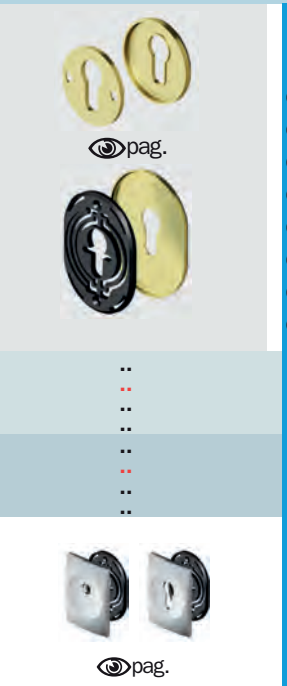
- FINITURE FINISHES**
- C Cromo lucido Bright Chrome
 - T Cromo satinato Satin Chrome
 - B Bronzo Bronze
 - 2 PVD Ottone PVD Brass
 - TT Ottone satinato Satin Brass
 - BS Bronzo satinato Satin Bronze
 - IT Inox satinato Satin S.Steel
 - N Nero Black



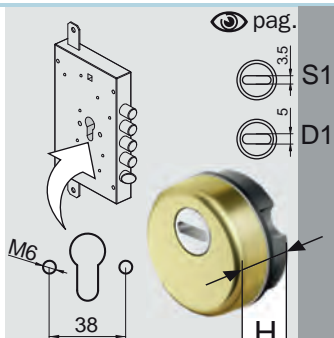
BD201	20	..
BD201	25	..
BD201	35	..
BD201	45	..
BD200	20	..
BD200	25	..
BD200	35	..
BD200	45	..
BDT251W	20	..
BDT251W	25	..
BDT251W	35	..
BDT251W	45	..
BDT250W	20	..
BDT250W	25	..
BDT250W	35	..
BDT250W	45	..



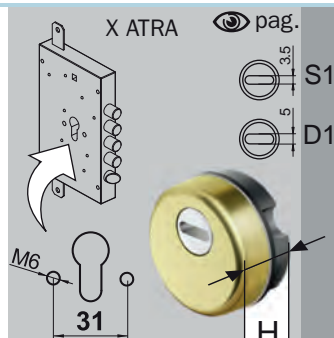
BD301	20	..
BD301	25	..
BD301	35	..
BD300	20	..
BD300	25	..
BD300	35	..
BDT351W	20	..
BDT351W	25	..
BDT351W	35	..
BDT350W	20	..
BDT350W	25	..
BDT350W	35	..



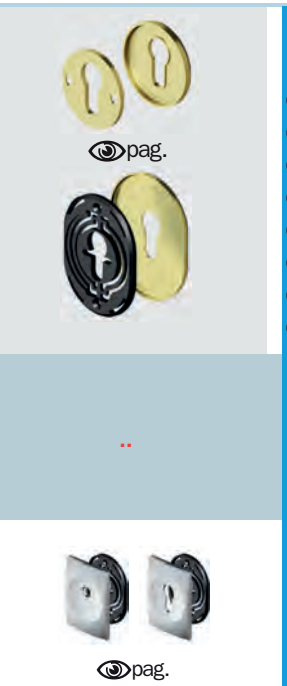
- FINITURE FINISHES**
- C Cromo lucido Bright Chrome
 - T Cromo satinato Satin Chrome
 - B Bronzo Bronze
 - 2 PVD Ottone PVD Brass
 - TT Ottone satinato Satin Brass
 - BS Bronzo satinato Satin Bronze
 - IT Inox satinato Satin S.Steel
 - N Nero Black



BD200	25	..
BD250W	25	..



BD300	25	..
BD350W	25	..



- FINITURE FINISHES**
- C Cromo lucido Bright Chrome
 - T Cromo satinato Satin Chrome
 - B Bronzo Bronze
 - 2 PVD Ottone PVD Brass
 - TT Ottone satinato Satin Brass
 - BS Bronzo satinato Satin Bronze
 - IT Inox satinato Satin S.Steel
 - N Nero Black



BFE.. SPRING ROK SFERIK

PAT. PEND.



GRADO 4



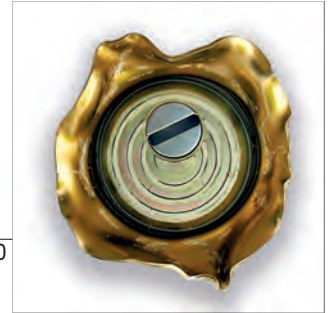
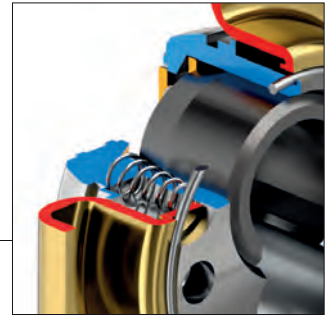
SFERIK

HSS

PROFILO
ROK

HSS

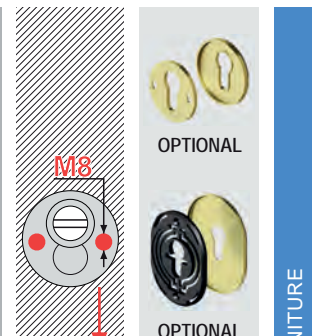
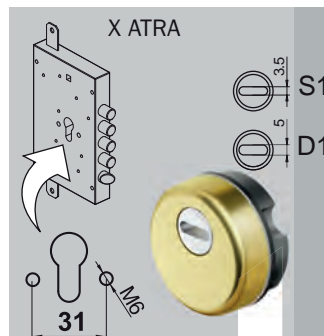
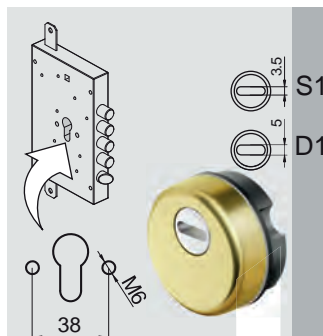
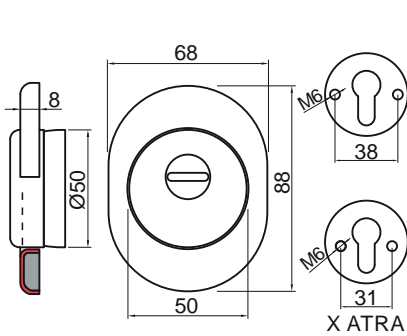
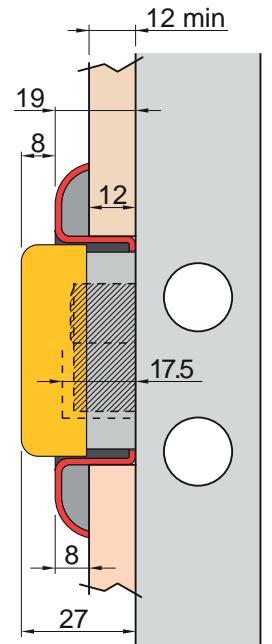
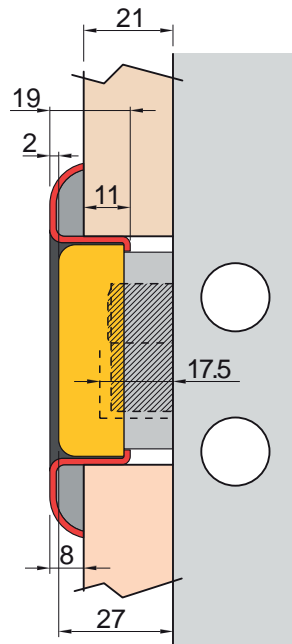
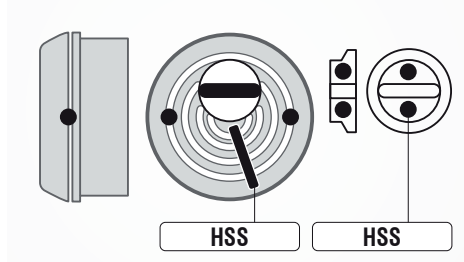
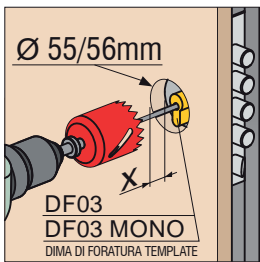
VIDEO TEST



INOX
ANTISTRAPPO



VIDEO
TUTORIAL



BFE200 25 ..

BFE300 25 ..

BFE200 8 25
ESEMPIO
CODICE

Cromo lucido
Bright Chrome
Cromo satinato
Satin Chrome
Bronzo
Bronze
PVD Ottone
PVD Brass
Inox satinato
Satin S.Steel

ESEMPIO CODICE / EXAMPLE CODE:

XXXXX

H

D1/S1

C T 2

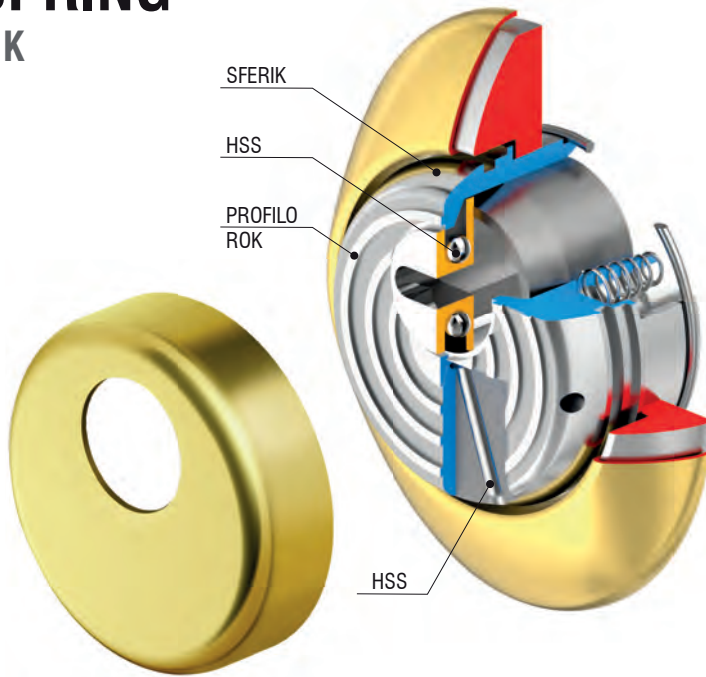
FINITURE



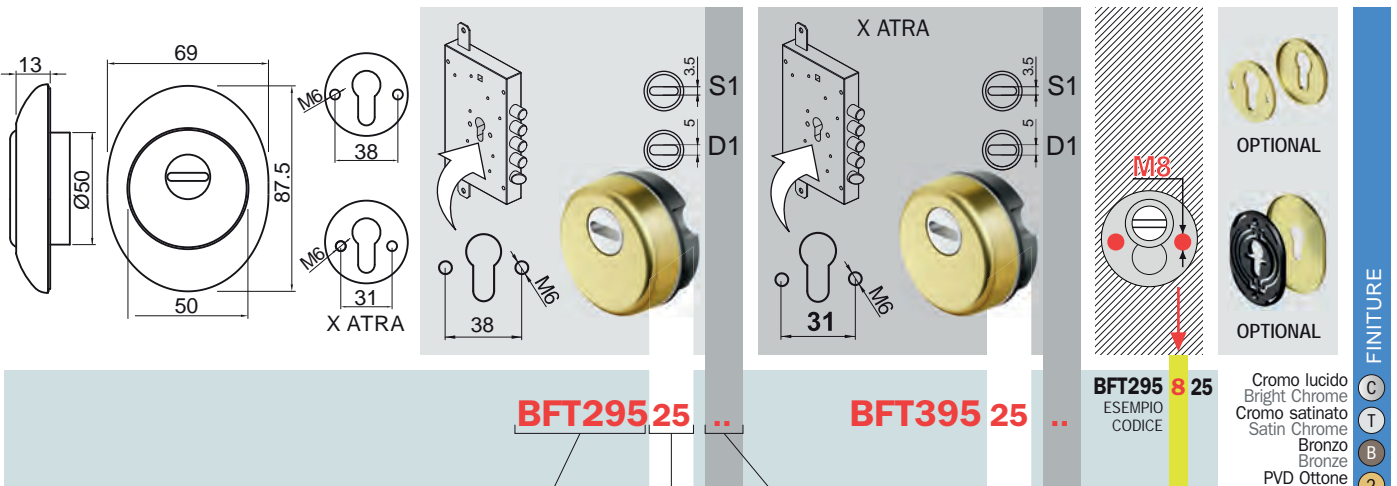
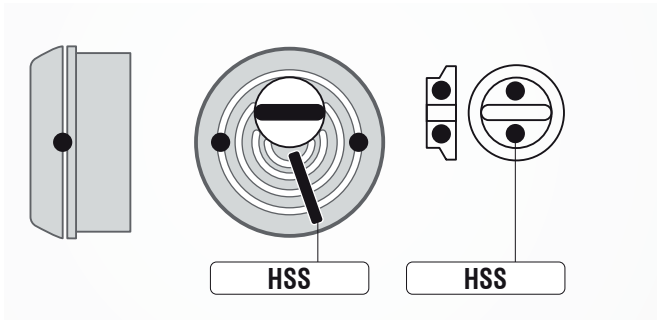
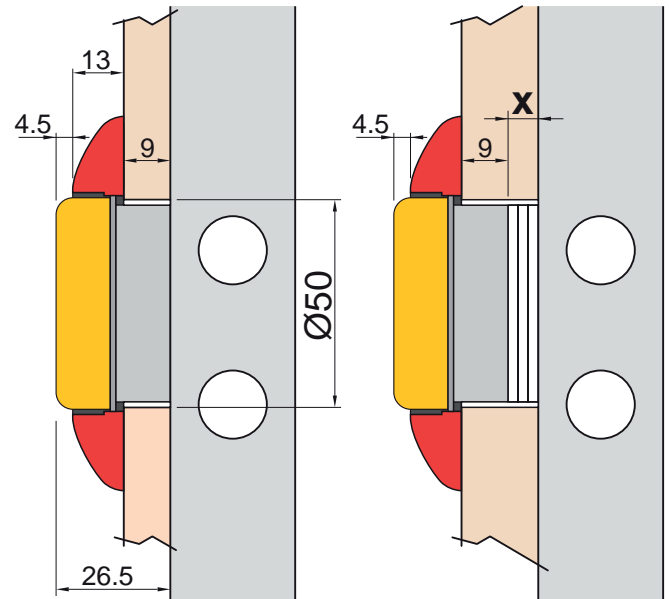
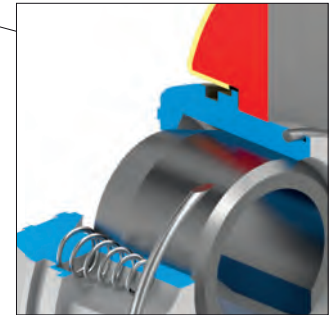
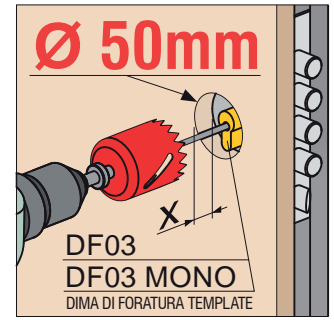
BFT.. SPRING ROK SFERIK

PAT. PEND.

GRADO 4



VIDEO
TUTORIAL



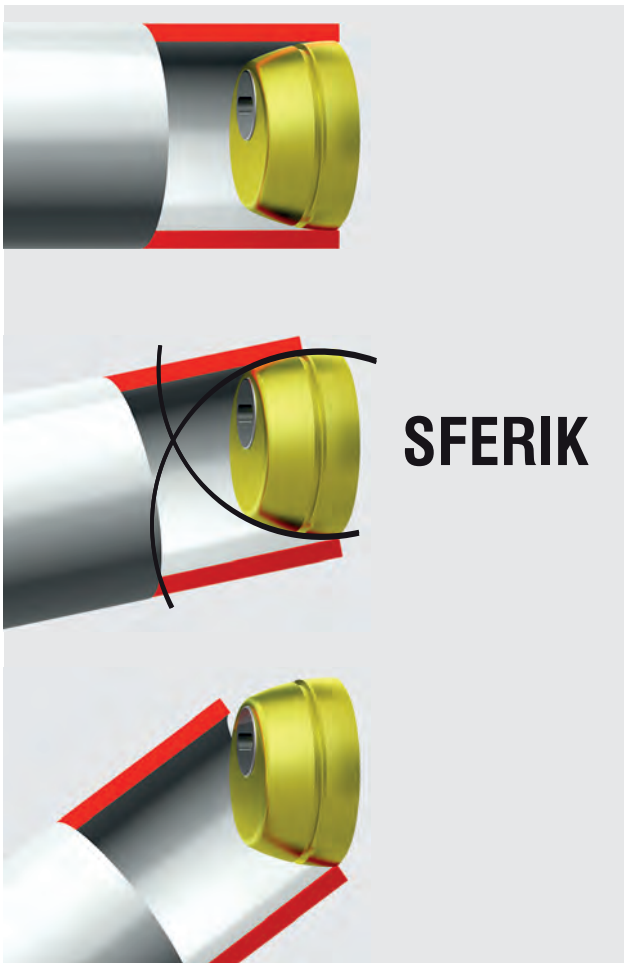
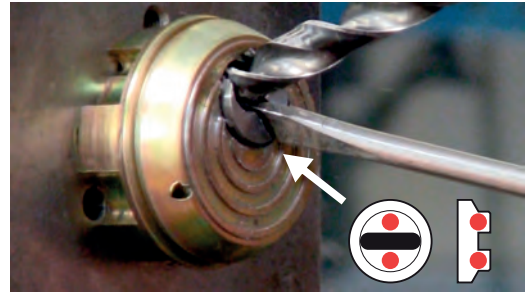
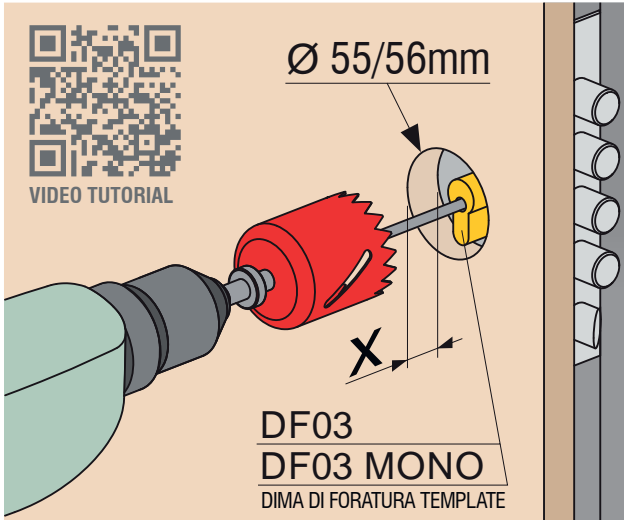
ESEMPIO CODICE / EXAMPLE CODE:

XXXXX H D1/S1

- FINITURE**
- Cromo lucido
 - Cromo satinato
 - Satin Chrome
 - Bronzo
 - PVD Ottone
 - PVD Brass
 - Inox satinato
 - Satin S.Steel



RWS ROK SFERIK



SFERIK





RWS
ROK SFERIK

PAT. PEND.



GRADO 4



FLEX SYSTEM

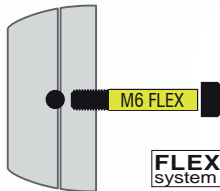


5 VOLTE PIU' RESISTENTE DELLE VITI TRADIZIONALI 12.9

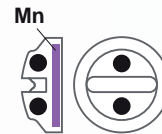
VIDEO TEST



VIDEO:



CARBIDE



Mn HSS



ANTISKETTING system

CILINDRO

RWS16 25 ... P **RWS68 25 .. P**

RWS16 8 25
ESEMPIO CODICE
ESEMPIO DI CODICE PER VITI M8
EXAMPLE OF CODE FOR FIXING M8

Cromo lucido Bright Chrome
Cromo satinato Satin Chrome
Bronzo Bronze
PVD Ottone PVD Brass
Bronzo satinato Satin Bronze
Inox satinato Satin S.Steel
Nero Black

FINITURE
C T 2 BS IT N

ESEMPIO CODICE / EXAMPLE CODE:

XXXXX H D1/S1 C T 2

RWS ROK

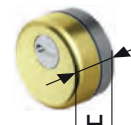


PAT. PEND.

Ø50



H	X ATRA	X ATRA
20	ZA3649	ZA3650
25	ZA3540	ZA3538
35	ZA3746	
45	ZA3747	



H	X ATRA	X ATRA
20	ZA3649..ZA3650..	
25	ZA3540..ZA3538..	
35	ZA3746..	
45	ZA3747..	

FINITURE FINISHES

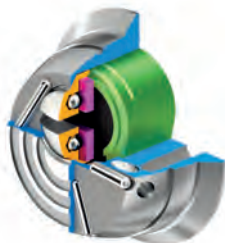
A0397..



- C Cromo lucido / Bright Chrome
- T Cromo satinato / Satin Chrome
- B Bronzo / Bronze
- 2 PVD Ottone / PVD Brass
- TT Ottone satinato / Satin Brass
- BS Bronzo satinato / Satin Bronze
- IT Inox satinato / Satin S.Steel
- N Nero / Black
- L Ottone lucido / Bright Brass



RWS ROK



PAT. PEND.

Ø50



H	X ATRA	X ATRA
25	ZA3696	ZA3697



H	X ATRA	X ATRA
25	ZA3696..ZA3697..	

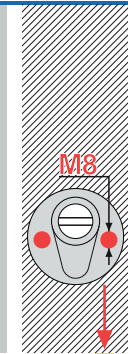
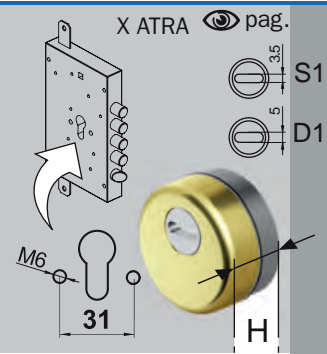
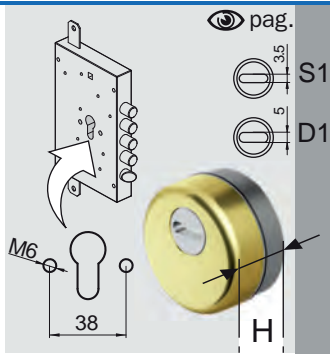
FINITURE FINISHES

A0397..



- C Cromo lucido / Bright Chrome
- T Cromo satinato / Satin Chrome
- B Bronzo / Bronze
- 2 PVD Ottone / PVD Brass
- TT Ottone satinato / Satin Brass
- BS Bronzo satinato / Satin Bronze
- IT Inox satinato / Satin S.Steel
- N Nero / Black
- L Ottone lucido / Bright Brass





- FINITURE FINISHES**
- C** Cromo lucido / Bright Chrome
 - T** Cromo satinato / Satin Chrome
 - B** Bronzo / Bronze
 - 2** PVD Ottone / PVD Brass
 - TT** Ottone satinato / Satin Brass
 - BS** Bronzo satinato / Satin Bronze
 - IT** Inox satinato / Satin S.Steel
 - N** Nero / Black
 - L** Ottone lucido / Bright Brass

RWS16 20 .. P
RWS16 25 .. P
RWS16 35 .. P
RWS16 45 .. P

RWS68 20 .. P
RWS68 25 .. P

RWS16 8 25..
 ESEMPIO CODICE

RWS16W 20 .. P
RWS16W 25 .. P
RWS16W 35 .. P
RWS16W 45 .. P

RWS68W 20 .. P
RWS68W 25 .. P

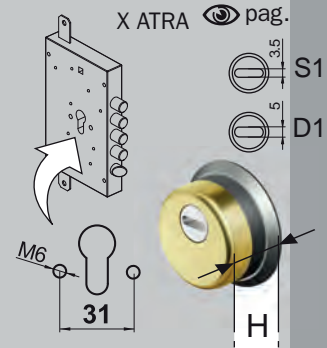
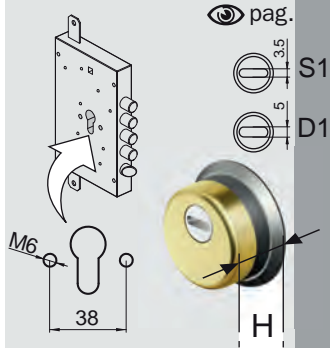
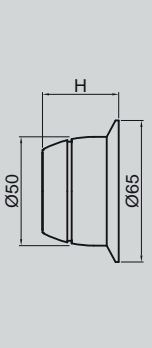
ESEMPIO DI CODICE PER VITI M8
 EXAMPLE OF CODE FOR FIXING M8



- FINITURE FINISHES**
- C** Cromo lucido / Bright Chrome
 - T** Cromo satinato / Satin Chrome
 - B** Bronzo / Bronze
 - 2** PVD Ottone / PVD Brass
 - BS** Bronzo satinato / Satin Bronze
 - IT** Inox satinato / Satin S.Steel
 - N** Nero / Black
 - L** Ottone lucido / Bright Brass

RWS16K 20 .. P
RWS16K 25 .. P
RWS16K 35 .. P
RWS16K 45 .. P

RWS68K 20 .. P
RWS68K 25 .. P



- FINITURE FINISHES**
- C** Cromo lucido / Bright Chrome
 - T** Cromo satinato / Satin Chrome
 - B** Bronzo / Bronze
 - 2** PVD Ottone / PVD Brass
 - TT** Ottone satinato / Satin Brass
 - BS** Bronzo satinato / Satin Bronze
 - IT** Inox satinato / Satin S.Steel
 - N** Nero / Black
 - L** Ottone lucido / Bright Brass

RWS42 25 .. P

RWS48 25 .. P

RWS42 8 25..
 ESEMPIO CODICE

RWS42W 25 .. P

RWS48W 25 .. P

ESEMPIO DI CODICE PER VITI M8
 EXAMPLE OF CODE FOR FIXING M8



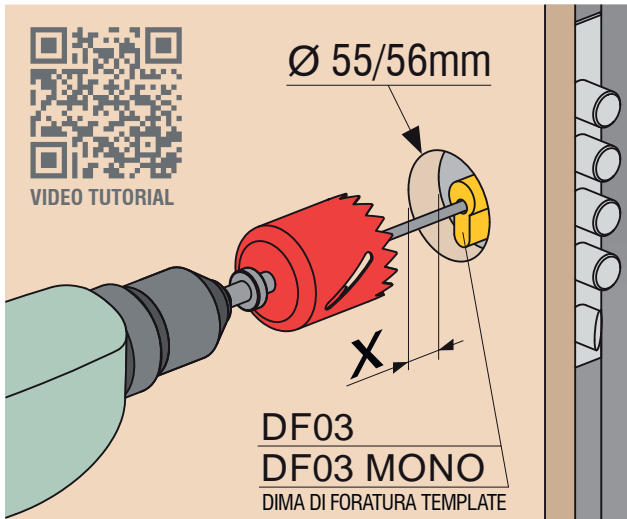
- FINITURE FINISHES**
- C** Cromo lucido / Bright Chrome
 - T** Cromo satinato / Satin Chrome
 - B** Bronzo / Bronze
 - 2** PVD Ottone / PVD Brass
 - BS** Bronzo satinato / Satin Bronze
 - IT** Inox satinato / Satin S.Steel
 - N** Nero / Black
 - L** Ottone lucido / Bright Brass

RWS42K 25 .. P

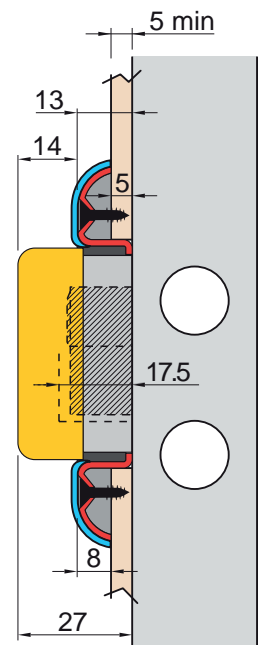
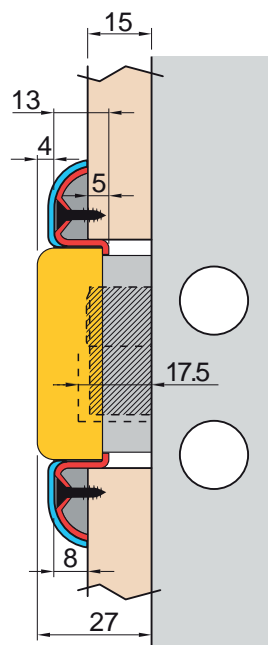
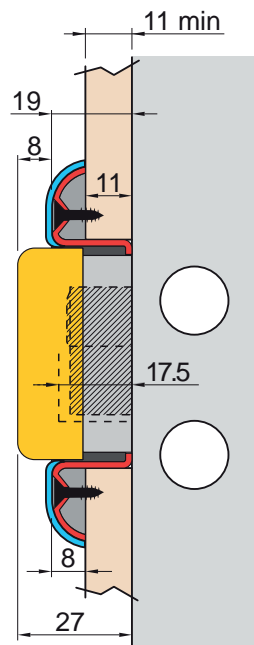
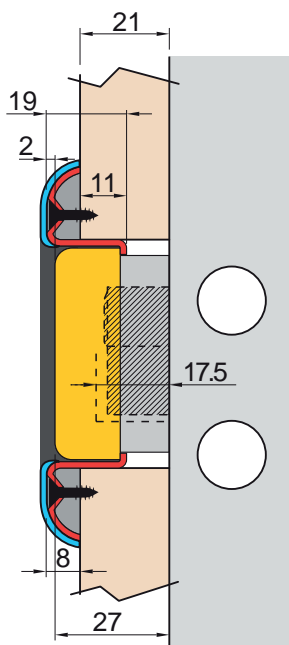
RWS48K 25 .. P



STONE ROK SFERIK



VIDEO TEST



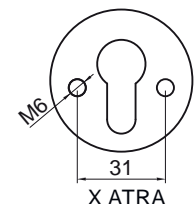
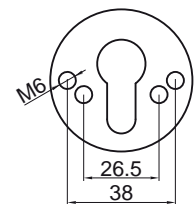
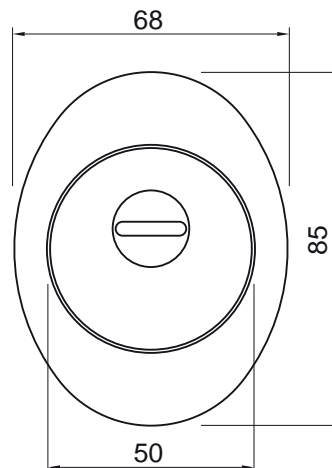
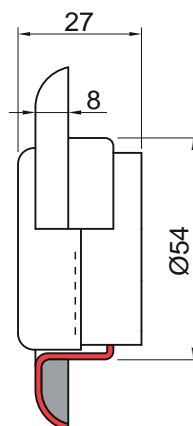
FLEX SYSTEM



5

VOLTE PIU' RESISTENTE DELLE VITI TRADIZIONALI 12.9

VIDEO TEST



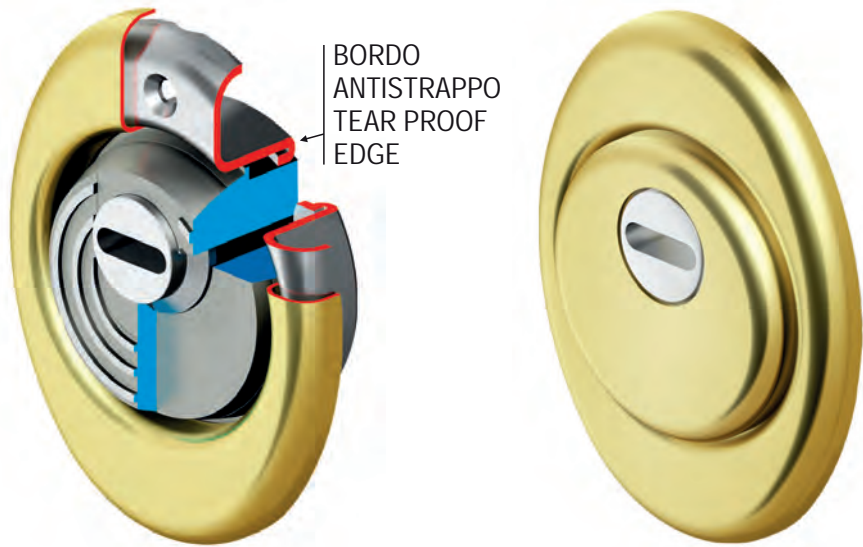


STONE
ROK SFERIK

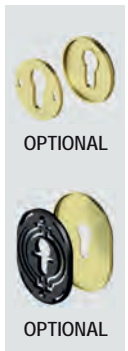
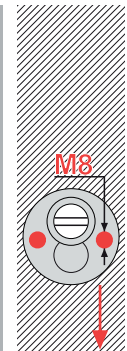
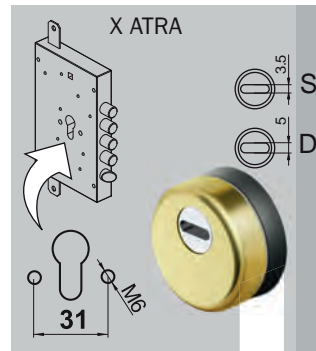
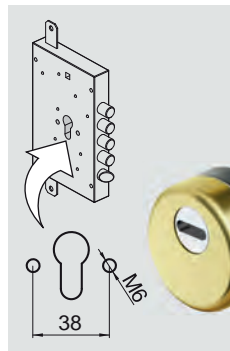
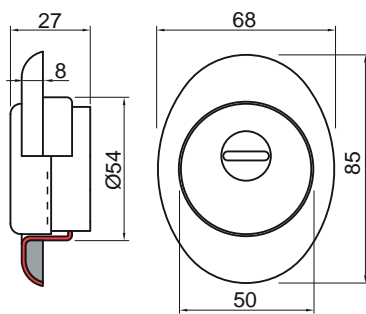
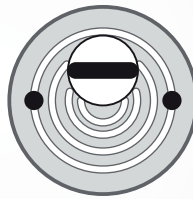
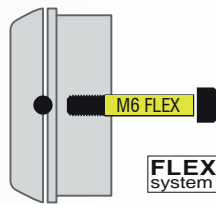
PAT. PEND.



GRADO 4

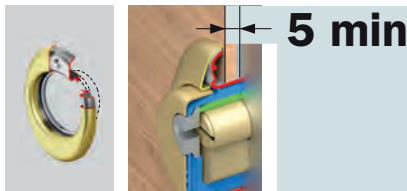


VIDEO:



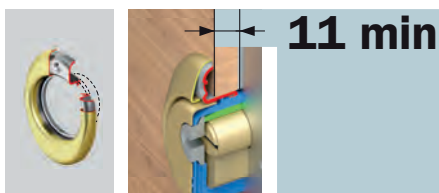
OPTIONAL

OPTIONAL



BD121 25 ..

BD131 25 ..



BD120 25 ..

BD130 25 ..

BD120 8 25
ESEMPIO CODICE

ESEMPIO DI CODICE PER VITI M8
EXAMPLE OF CODE FOR FIXING M8

- Cromo lucido / Bright Chrome (C)
- Cromo satinato / Satin Chrome (T)
- Bronzo / Bronze (B)
- Ottone satinato / Satin Brass (TT)
- Bronzo satinato / Satin Bronze (BS)
- Ottone lucido / Bright Brass (L)

FINITURE

ESEMPIO CODICE / EXAMPLE CODE:

XXXXX



D1/S1





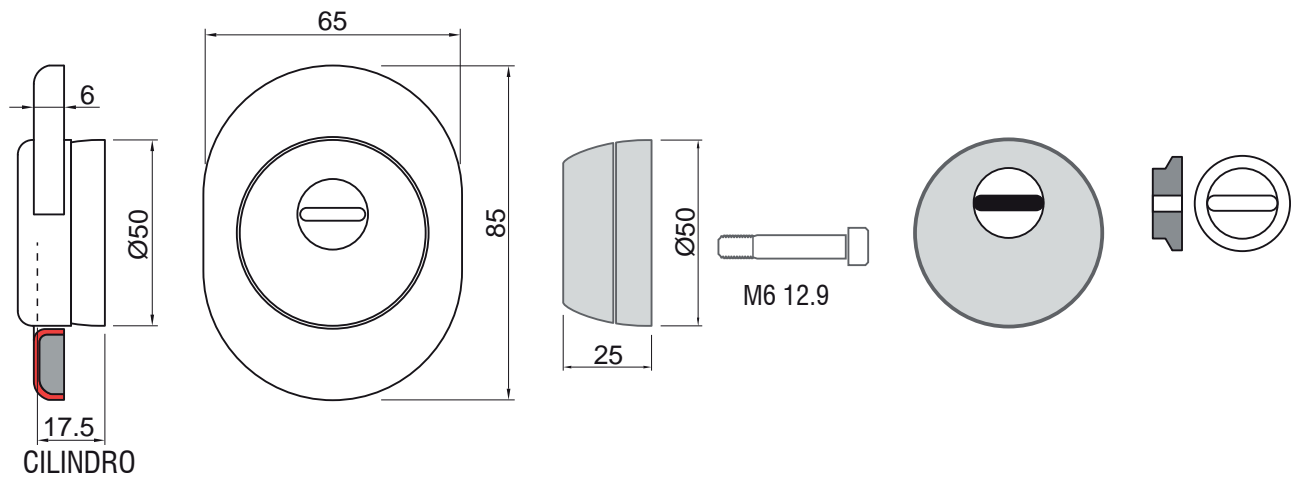
BD

SFERIK

PAT. PEND.



VIDEO TEST



FINITURE

- C Cromo lucido
- T Bright Chrome
- S Cromo satinato
- L Satin Chrome
- B Bronzo
- 2 Bronze
- 6 PVD Ottone
- L PVD Brass
- 6 Argento anodizzato
- L Anodized Silver
- L Ottone lucido
- L Bright Brass
- N Nero
- Black

BD1625 .. P **BD68 25 .. P**

ESEMPIO CODICE / EXAMPLE CODE: **XXXXX** **H** **D1/S1** **C T 2**



BDS
ROK SFERIK

PAT. PEND.



GRADO 4



FLEX SYSTEM

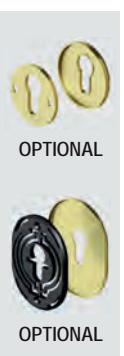
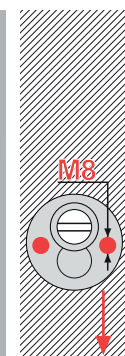
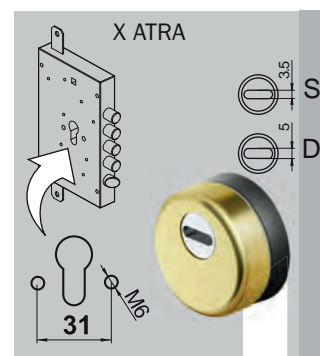
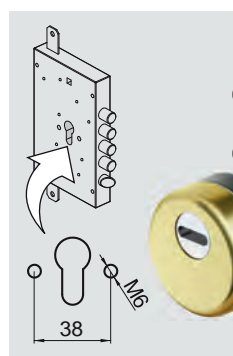
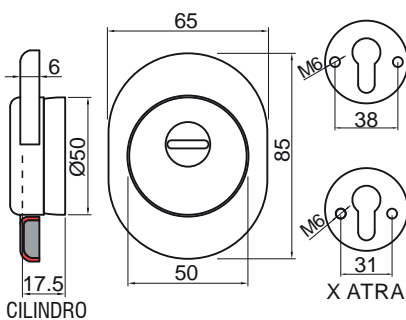
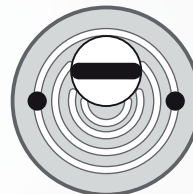
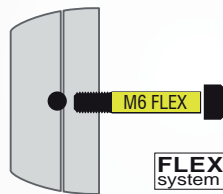


5 VOLTE PIU' RESISTENTE DELLE VITI TRADIZIONALI 12.9

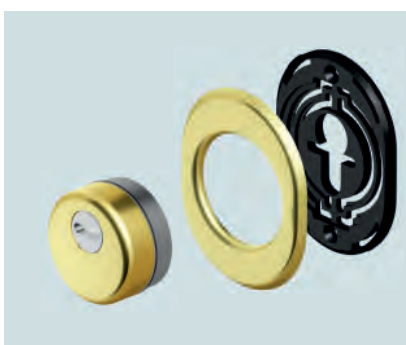
VIDEO TEST



VIDEO:



FINITURE



BDS16 25 .. P

BDS68 25 .. P

BDS16 B 25
ESEMPIO CODICE

ESEMPIO DI CODICE PER VITI M8
EXAMPLE OF CODE FOR FIXING M8

- Cromo lucido
- Bright Chrome
- Cromo satinato
- Satin Chrome
- Bronzo
- Bronze
- PVD Ottonne
- PVD Brass
- Ottonne satinato
- Satin Brass
- Bronzo satinato
- Satin Bronze
- Ottonne lucido
- Bright Brass
- Nero
- Black

ESEMPIO CODICE / EXAMPLE CODE:

XXXXX H D1/S1 C T 2



PAT. PEND.

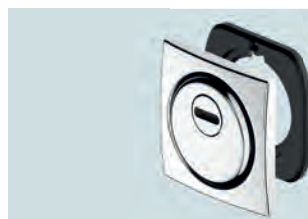
Ø50

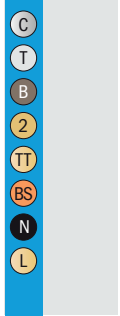
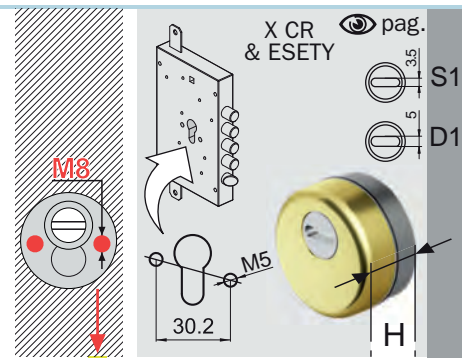
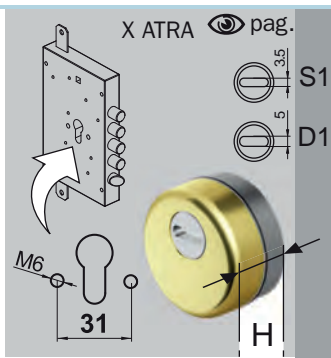
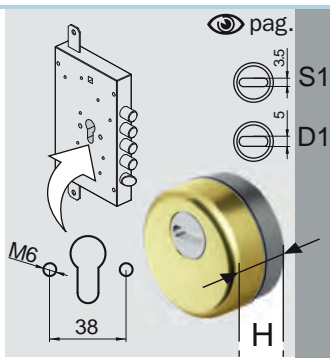


	35 S1 5 D1	35 S1 5 D1	35 S1 5 D1
	M6 38	M6 31	M6 30.2
	X ATRA	X CR & ESEY	
H 20	ZA2316 ..	ZA2317 ..	ZA2318 ..
25	ZA2313 ..	ZA2311 ..	ZA2315 ..
35	ZA0814 ..		
45	ZA0581 ..	ZA1874 ..	

FINITURE FINISHES

- A0397..**
- C Cromo lucido / Bright Chrome
 - T Cromo satinato / Satin Chrome
 - B Bronzo / Bronze
 - 2 PVD Ottone / PVD Brass
 - TT Ottone satinato / Satin Brass
 - BS Bronzo satinato / Satin Bronze
 - IT Inox satinato / Satin S.Steel
 - N Nero / Black
 - L Ottone lucido / Bright Brass



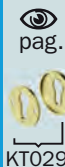


BDS16 20 .. P
 BDS16 25 .. P
 BD16 35 .. P
 BD16 45 .. P

BDS68 20 .. P
 BDS68 25 .. P
 BD68 35 .. P
 BD68 45 .. P

BDS16 8 20..
 ESEMPIO
 CODICE

BDS61 20 .. P
 BDS61 25 .. P



BDS16 20 .. PP
 BDS16 25 .. PP
 BD16 35 .. PP
 BD16 45 .. PP

BDS68 20 .. PP
 BDS68 25 .. PP
 BD68 35 .. PP
 BD68 45 .. PP

EXAMPLE OF CODE FOR FIXING M8

BDS61 20 .. PP
 BDS61 25 .. PP

BDS16 20 ..
 BDS16 25 ..
 BD16 35 ..
 BD16 45 ..

BDS68 20 ..
 BDS68 25 ..
 BD68 35 ..
 BD68 45 ..

BDS61 20 ..
 BDS61 25 ..

BDS16 20 .. M
 BDS16 25 .. M
 BD16 35 .. M
 BD16 45 .. M

BDS68 20 .. M
 BDS68 25 .. M
 BD68 35 .. M
 BD68 45 .. M

BDS61 20 .. M
 BDS61 25 .. M

BDS16 20 .. W
 BDS16 25 .. W
 BD16 35 .. W
 BD16 45 .. W

BDS68 20 .. W
 BDS68 25 .. W
 BD68 35 .. W
 BD68 45 .. W

BDS61 20 .. W
 BDS61 25 .. W



BDS16 20 .. WP
 BDS16 25 .. WP
 BD16 35 .. WP
 BD16 45 .. WP

BDS68 20 .. WP
 BDS68 25 .. WP
 BD68 35 .. WP
 BD68 45 .. WP

BDS61 20 .. WP
 BDS61 25 .. WP

BDS16 20 .. K
 BDS16 25 .. K
 BD16 35 .. K
 BD16 45 .. K

BDS68 20 .. K
 BDS68 25 .. K
 BD68 35 .. K
 BD68 45 .. K

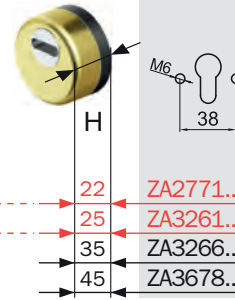
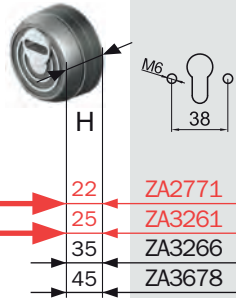
BDS61 20 .. K
 BDS61 25 .. K



X FIAM



Ø46

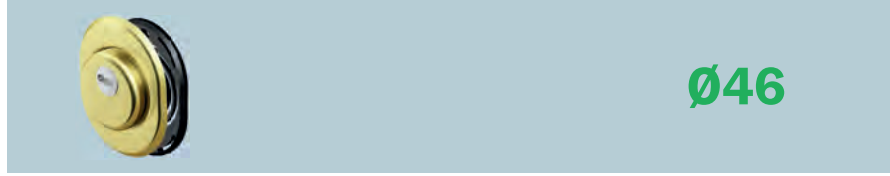


A1663..



- C Cromo lucido
Bright Chrome
- T Cromo satinato
Satin Chrome
- B Bronzo
Bronze
- 2 PVD Ottone
PVD Brass
- IT Inox satinato
Satin S.Steel
- N Nero
Black
- L Ottone lucido
Bright Brass

22	ZA2771	22	ZA2771..
25	ZA3261	25	ZA3261..
35	ZA3266	35	ZA3266..
45	ZA3678	45	ZA3678..



Ø46



Ø46



Ø46



Ø50

X FIAM vecchio tipo

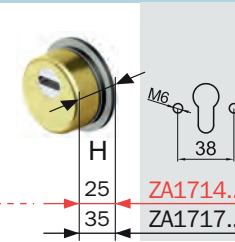
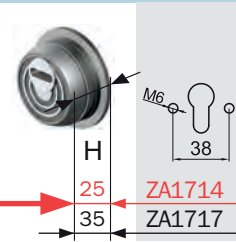


Ø50

X FIAM



Ø46



A1663..



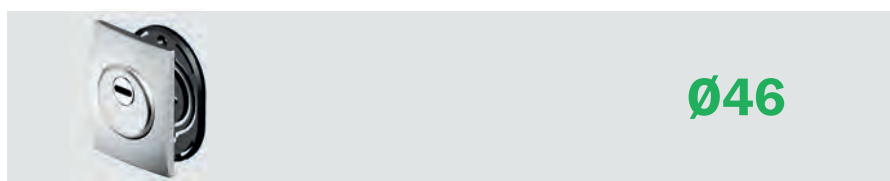
- C Cromo lucido
Bright Chrome
- T Cromo satinato
Satin Chrome
- B Bronzo
Bronze
- 2 PVD Ottone
PVD Brass
- IT Inox satinato
Satin S.Steel
- N Nero
Black
- L Ottone lucido
Bright Brass

25	ZA1714	25	ZA1714..
35	ZA1717	35	ZA1717..

FINITURE FINISHES



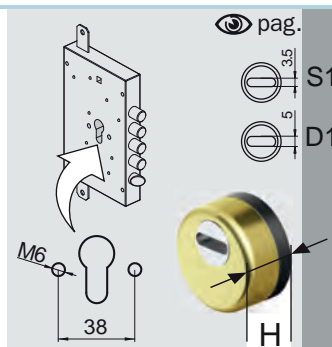
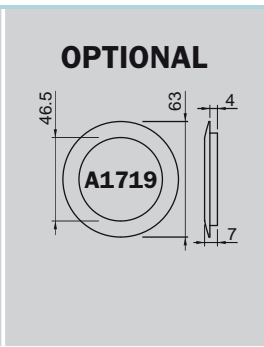
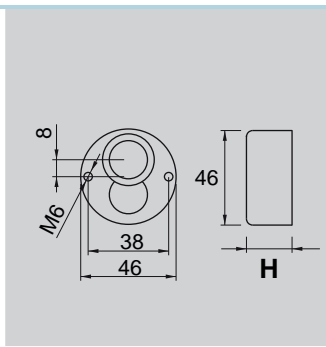
Ø46



Ø46



Ø46



FINITURE FINISHES

- C** Cromo lucido
Bright Chrome
- T** Cromo satinato
Satin Chrome
- B** Bronzo
Bronze
- 2** PVD Ottone
PVD Brass
- IT** Inox satinato
Satin S.Steel
- N** Nero
Black
- L** Ottone lucido
Bright Brass

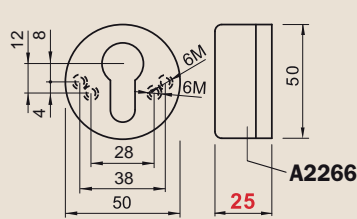
BDS57 22 .. P
BDS57 25 .. P
BD57 35 .. P
BD57 45 .. P

BDS57W 22 ..
BDS57W 25 ..
BD57W 35 ..
BD57W 45 ..

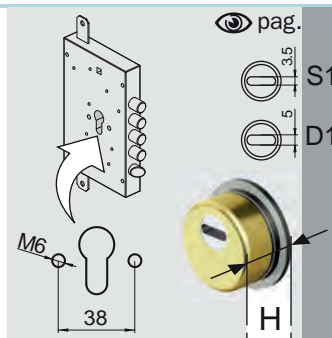
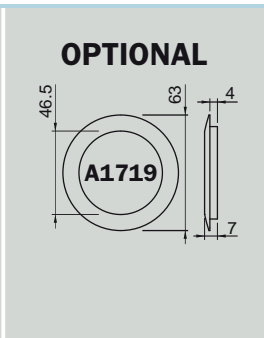
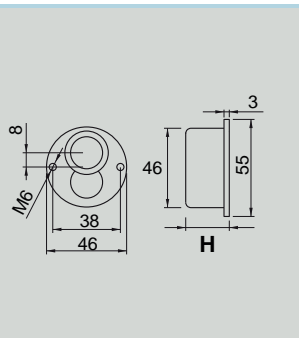
BDS57K 22 ..
BDS57K 25 ..
BD57K 35 ..
BD57K 45 ..



- C** Cromo lucido
Bright Chrome
- T** Cromo satinato
Satin Chrome
- B** Bronzo
Bronze
- 2** PVD Ottone
PVD Brass
- BS** Bronzo satinato
Satin Bronze
- IT** Inox satinato
Satin S.Steel
- N** Nero
Black



BD55 25 ..



FINITURE FINISHES

- C** Cromo lucido
Bright Chrome
- T** Cromo satinato
Satin Chrome
- B** Bronzo
Bronze
- 2** PVD Ottone
PVD Brass
- IT** Inox satinato
Satin S.Steel
- N** Nero
Black
- L** Ottone lucido
Bright Brass

BDS80 25 .. P
BD81 35 .. P

BDS80W 25 ..
BD81W 35 ..

BDS80K 25 ..
BD81K 35 ..



- C** Cromo lucido
Bright Chrome
- T** Cromo satinato
Satin Chrome
- B** Bronzo
Bronze
- 2** PVD Ottone
PVD Brass
- BS** Bronzo satinato
Satin Bronze
- IT** Inox satinato
Satin S.Steel
- N** Nero
Black

Ø42

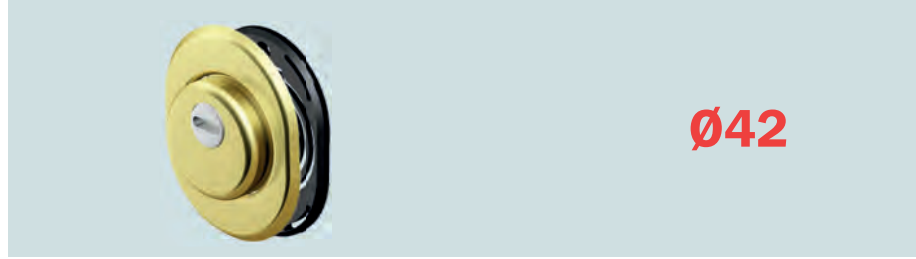
SFERIK

X ATRA	X CR & ESETY	X ESETY	X ATRA	X CR & ESETY	X ESETY
M6	M5	M5	M6	M5	M5
31	30.2	21	31	30.2	21
ZA2166			ZA2166..		
ZA2490			ZA2490..		
ZA2254			ZA2254..		

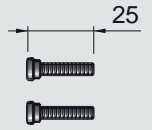
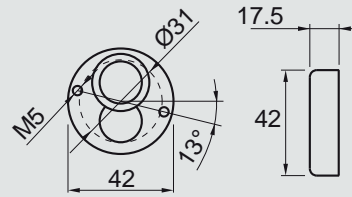
FINITURE FINISHES

A2107..

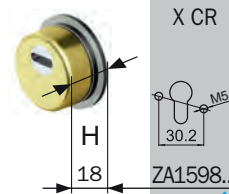
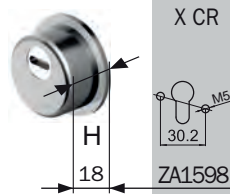
- C Cromo lucido
- T Bright Chrome
- 2 Cromo satinato
- B Satin Chrome
- 3 Bronzo
- 4 PVD Ottone
- 5 PVD Brass
- 6 Ottone satinato
- 7 Satin Brass
- 8 Bronzo satinato
- 9 Satin Bronze
- 10 Inox satinato
- 11 Satin S.Steel
- N Nero
- L Ottone lucido
- Bright Brass



Kit **KT500** (X BDS35..P)



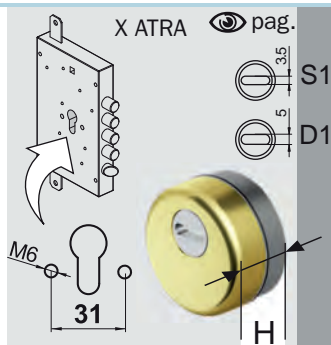
A0412-5025
TOT. 2 PZ



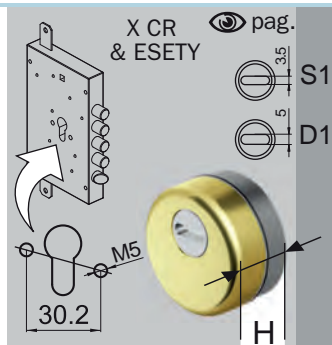
FINITURE FINISHES

- T Cromo satinato
- Satin Chrome
- 2 PVD Ottone
- PVD Brass
- N Nero
- Black
- L Ottone lucido
- Bright Brass

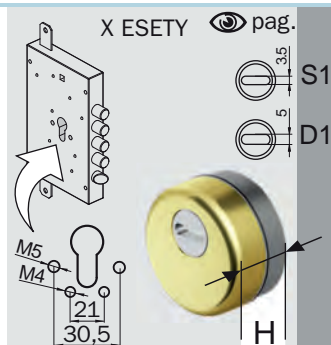




BDS74 25 ..



BD35 18 ..



BD87 22 ..



- FINITURE FINISHES**
- C** Cromo lucido
Bright Chrome
 - T** Cromo satinato
Satin Chrome
 - B** Bronzo
Bronze
 - 2** PVD Ottone
PVD Brass
 - TT** Ottone satinato
Satin Brass
 - BS** Bronzo satinato
Satin Bronze
 - IT** Inox satinato
Satin S.Steel
 - N** Nero
Black
 - L** Ottone lucido
Bright Brass



A1063 1mm
A1056 2mm

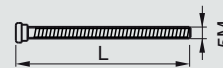


1mm
A1063
TOT. 3 PZ

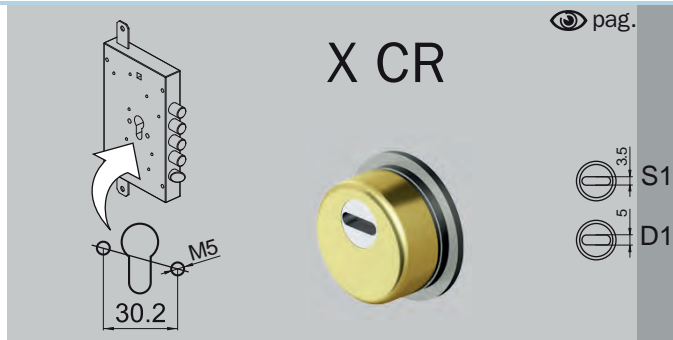


2mm
A1056
TOT. 6 PZ

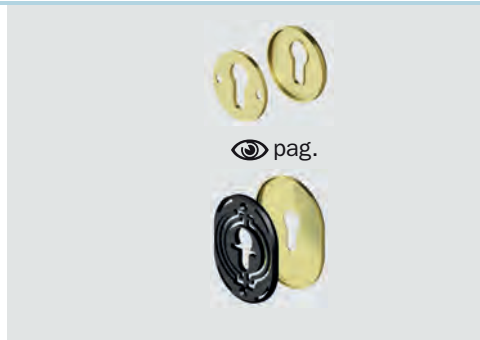
VITI/SCREW
OPTIONAL



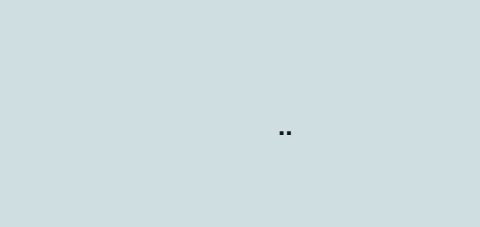
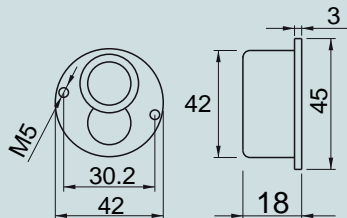
L=16 A0412
L=25 A0412-5025
L=70 A0412-5070
L=100 A0412-50100



BD96 ..



- FINITURE FINISHES**
- C** Cromo lucido
Bright Chrome
 - T** Cromo satinato
Satin Chrome
 - B** Bronzo
Bronze
 - 2** PVD Ottone
PVD Brass
 - TT** Ottone satinato
Satin Brass
 - BS** Bronzo satinato
Satin Bronze
 - IT** Inox satinato
Satin S.Steel
 - N** Nero
Black
 - L** Ottone lucido
Bright Brass



RB ROK



PAT. PEND.

Ø50



	X ATRA	
H	M6 38	M6 31
25	ZA2384	ZA2458
35	ZA2632	ZA2127
45	ZA2126	
55	ZA2946	
65	ZA2947	
70	ZA2948	ZA2990

	X ATRA	
H	M6 38	M6 31
25	ZA2384..	ZA2458..
35	ZA2632..	ZA2127..
45	ZA2126..	
55	ZA2946..	
65	ZA2947..	
70	ZA2948..	ZA2990..

FINITURE FINISHES

A0397..



- C Cromo lucido / Bright Chrome
- T Cromo satinato / Satin Chrome
- B Bronzo / Bronze
- 2 PVD Ottone / PVD Brass
- TT Ottone satinato / Satin Brass
- BS Bronzo satinato / Satin Bronze
- IT Inox satinato / Satin S.Steel
- N Nero / Black
- L Ottone lucido / Bright Brass



RBXPAS



Ø46

H	M6 38
26	ZA3976
38	ZA1986
48	ZA1987
58	ZA1988

H	M6 38
26	ZA3976..
38	ZA1986..
48	ZA1987..
58	ZA1988..

FINITURE FINISHES

A1663..



- C Cromo lucido / Bright Chrome
- T Cromo satinato / Satin Chrome
- B Bronzo / Bronze
- 2 PVD Ottone / PVD Brass
- TT Ottone satinato / Satin Brass
- BS Bronzo satinato / Satin Bronze
- IT Inox satinato / Satin S.Steel
- N Nero / Black
- L Ottone lucido / Bright Brass



pag.

X ATRA pag.

pag.

RBS42	25	..	P	RBS48	25	..	P	RBS42	8 25..
RB42	35	..	P	RB48	35	..	P	ESEMPIO CODICE			
RB42	45	..	P								..
RB42	55	..	P								..
RB42	65	..	P	RB48	70	..	P				..
RB42	70	..	P								..
ESEMPIO DI CODICE PER VITI M8 EXAMPLE OF CODE FOR FIXING M8											
RBS42W	25	..	P	RBS48W	25	..	P				
RB42W	35	..	P	RB48W	35	..	P				
RB42W	45	..	P								
RB42W	55	..	P								
RB42W	65	..	P	RB48W	70	..	P				
RB42W	70	..	P								
RBS42K	25	..	P	RBS48K	25	..	P				
RB42K	35	..	P	RB48K	35	..	P				
RB42K	45	..	P								
RB42K	55	..	P								
RB42K	65	..	P								
RB42K	70	..	P	RB48K	70	..	P				

pag.

pag.

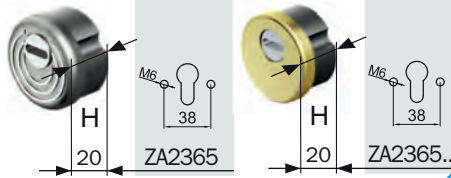
		..	P			..	P		
	PAS	26	..	P							..
	PAS	38	..	P							..
	PAS	48	..	P							..
	PAS	58	..	P							..
ESEMPIO DI CODICE PER VITI M8 EXAMPLE OF CODE FOR FIXING M8											
	PASW	26	..	P							
	PASW	38	..	P							
	PASW	48	..	P							
	PASW	58	..	P							
	PASK	26	..	P							
	PASK	38	..	P							
	PASK	48	..	P							
	PASK	58	..	P							

pag.

- FINITURE FINISHES**
- C** Cromo lucido Bright Chrome
 - T** Cromo satinato Satin Chrome
 - B** Bronzo Bronze
 - 2** PVD Ottone PVD Brass
 - TT** Ottone satinato Satin Brass
 - BS** Bronzo satinato Satin Bronze
 - IT** Inox satinato Satin S.Steel
 - N** Nero Black
 - L** Ottone lucido Bright Brass

- FINITURE FINISHES**
- C** Cromo lucido Bright Chrome
 - T** Cromo satinato Satin Chrome
 - B** Bronzo Bronze
 - 2** PVD Ottone PVD Brass
 - BS** Bronzo satinato Satin Bronze
 - IT** Inox satinato Satin S.Steel
 - N** Nero Black
 - L** Ottone lucido Bright Brass

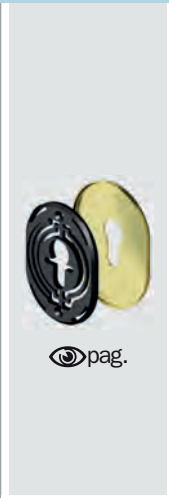
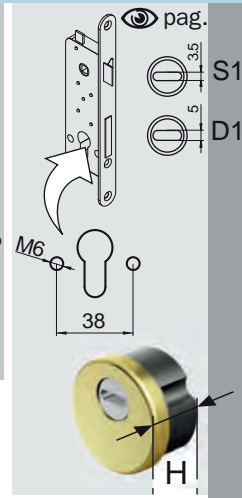
BD28 ROK



A2209..

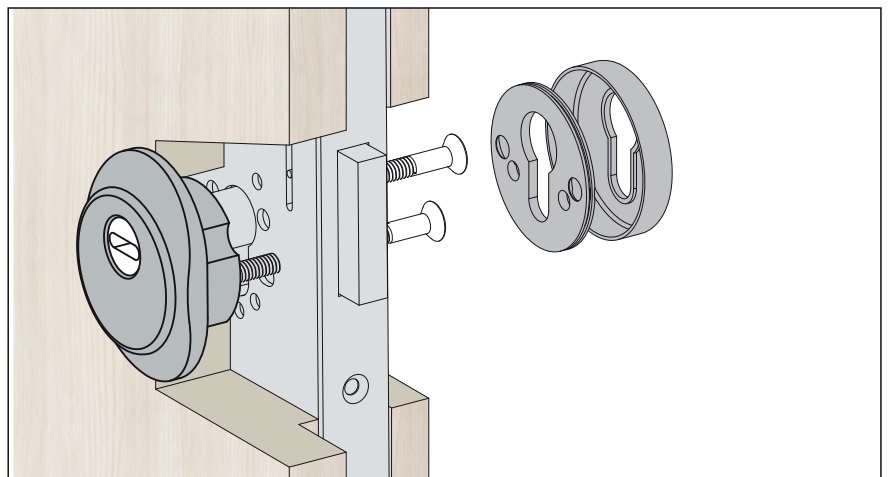
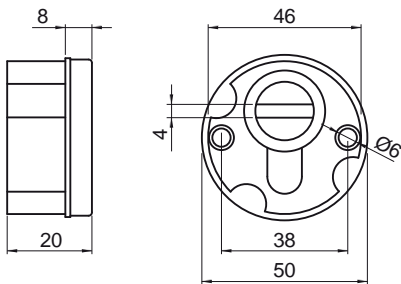
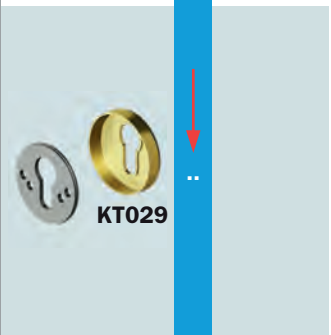
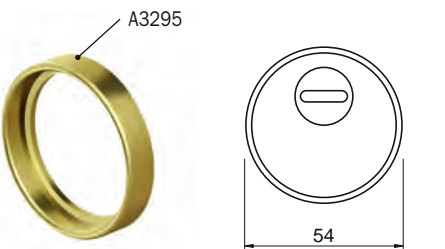
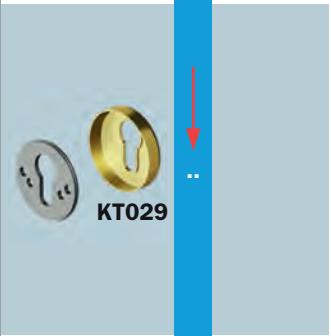
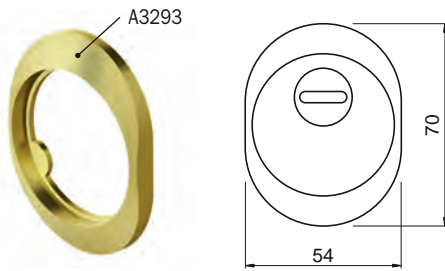
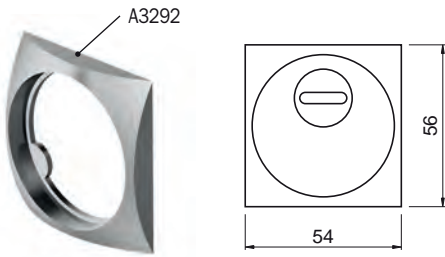
- C Cromo lucido
Bright Chrome
- T Cromo satinato
Satin Chrome
- B Bronzo
Bronze
- 2 PVD Ottone
PVD Brass
- IT Inox satinato
Satin S.Steel


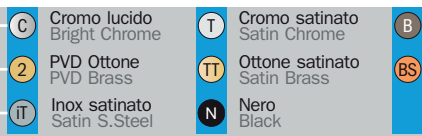

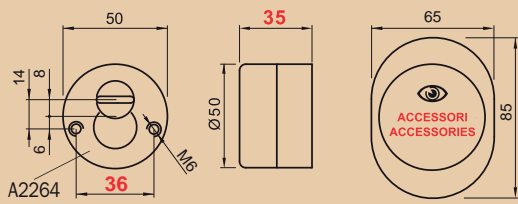

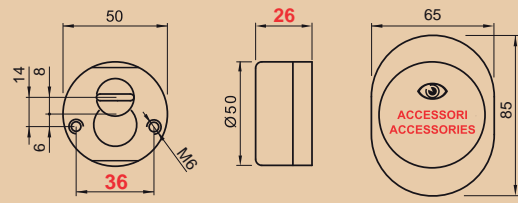

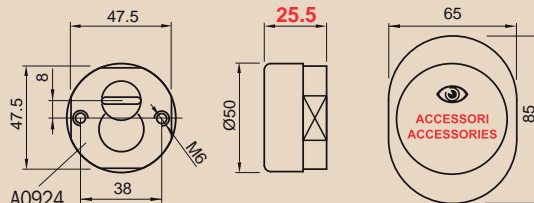

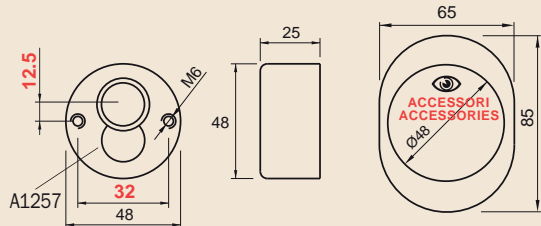

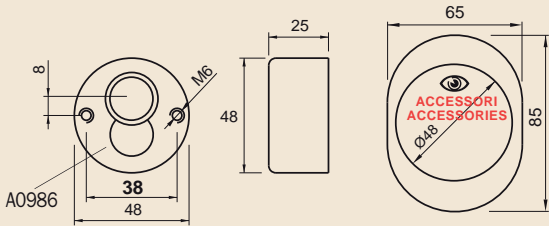

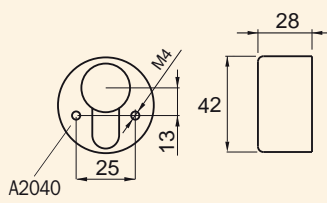

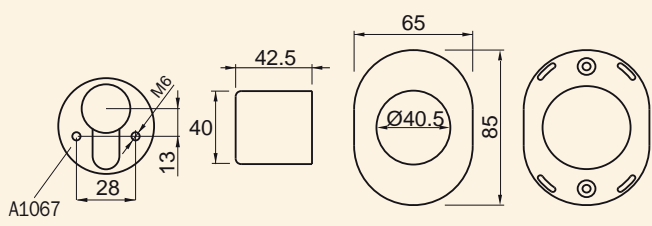
FINITURE FINISHES



FINITURE FINISHES

- C Cromo lucido
Bright Chrome
- T Cromo satinato
Satin Chrome
- B Bronzo
Bronze
- 2 PVD Ottone
PVD Brass
- IT Inox satinato
Satin S.Steel



									
		Cromo lucido Bright Chrome	PVD Ottone PVD Brass	Inox satinato Satin S.Steel	Cromo satinato Satin Chrome	Ottone satinato Satin Brass	Nero Black	Bronzo Bronze	Bronzo satinato Satin Bronze
X VIGHI		VD15		Ø50			
X VIGHI		VD20A		Ø50			
X VIGHI		VD14		Ø50			
X POTENT		BD8932		Ø48			
X POTENT		BD89		Ø48			
X ESETY Multilock		BD36		Ø42			
X ESETY Multilock		BD92		Ø40			



X OMEGA

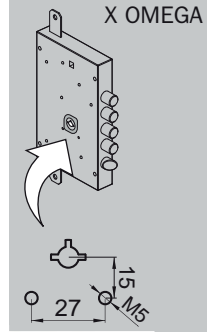
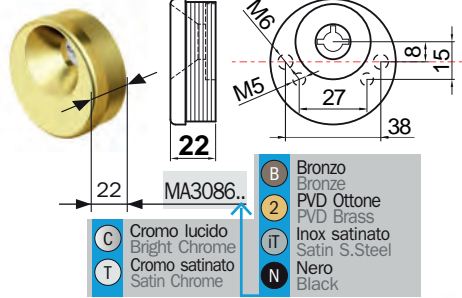


Ω

FILETTATO



Ø50

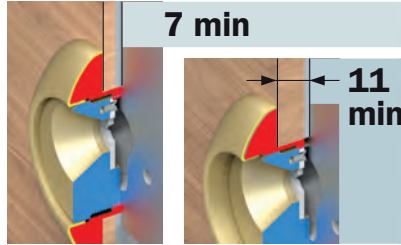
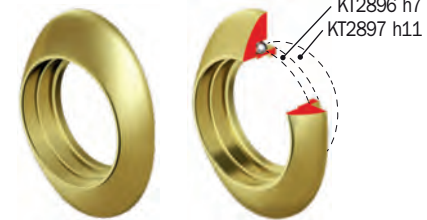


- B** Bronzo
Bronze
- 2** PVD Ottone
PVD Brass
- C** Cromo lucido
Bright Chrome
- T** Cromo satinato
Satin Chrome
- I** Inox satinato
Satin S.Steel
- N** Nero
Black

FINITURE FINISHES

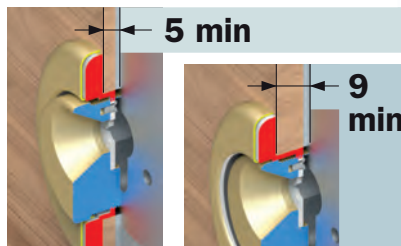
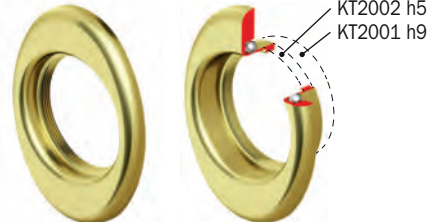
- C** Cromo lucido
Bright Chrome
- T** Cromo satinato
Satin Chrome
- B** Bronzo
Bronze
- 2** PVD Ottone
PVD Brass
- I** Inox satinato
Satin S.Steel
- N** Nero
Black

SUPER TOP
86x66



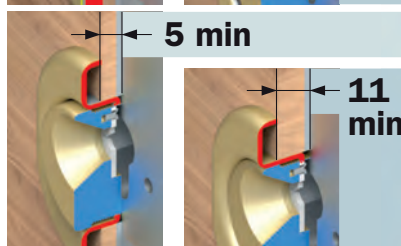
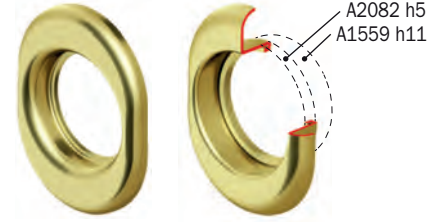
BD10800STB ..
BD10800STA ..

TOP
88x68



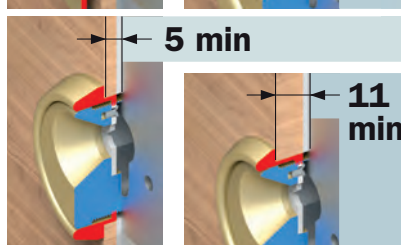
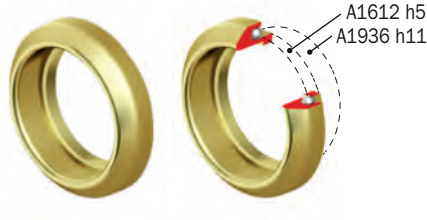
BD10800TB ..
BD10800TA ..

MONOLITO
88x68



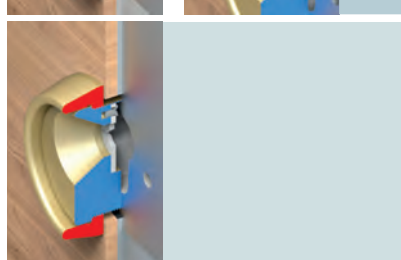
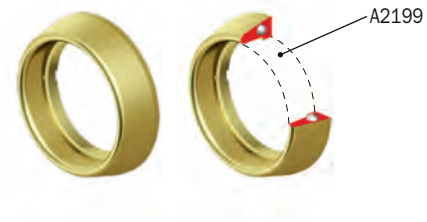
BD10800B ..
BD10800A ..

MILANO
Ø 65



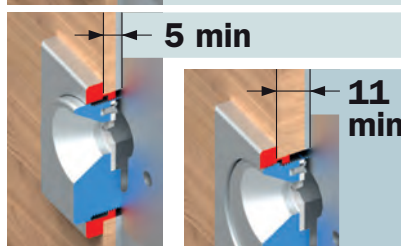
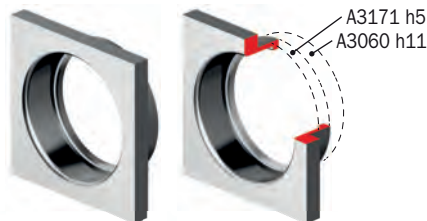
BD10800MB ..
BD10800MA ..

MONOLITO E
Ø 65



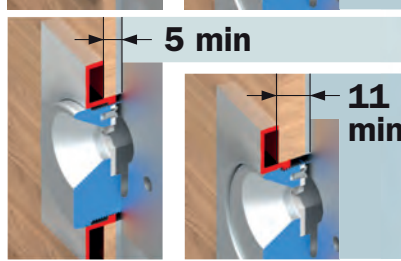
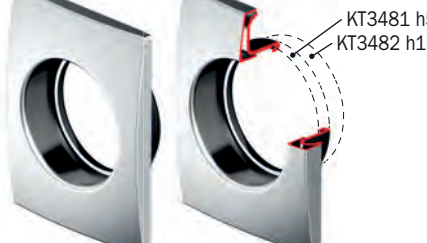
BD10800E ..

QUADRA
65x65



BD10800QB ..
BD10800QA ..

QUADRY
84x64



BD10800WB ..
BD10800WA ..

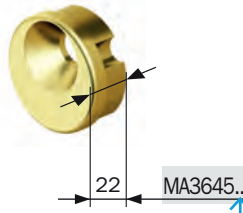


pag.

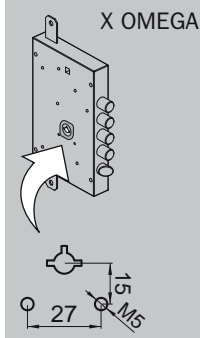


pag.

DISC
DEFENDS THE FUTURE

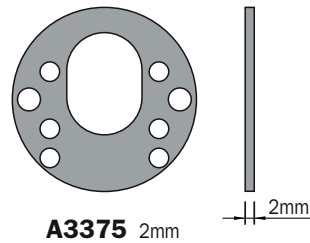
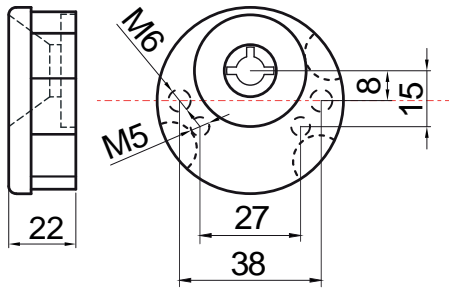


- C** Cromo lucido
Bright Chrome
- T** Cromo satinato
Satin Chrome
- B** Bronzo
Bronze
- 2** PVD Ottone
PVD Brass
- IT** Inox satinato
Satin S.Steel
- N** Nero
Black

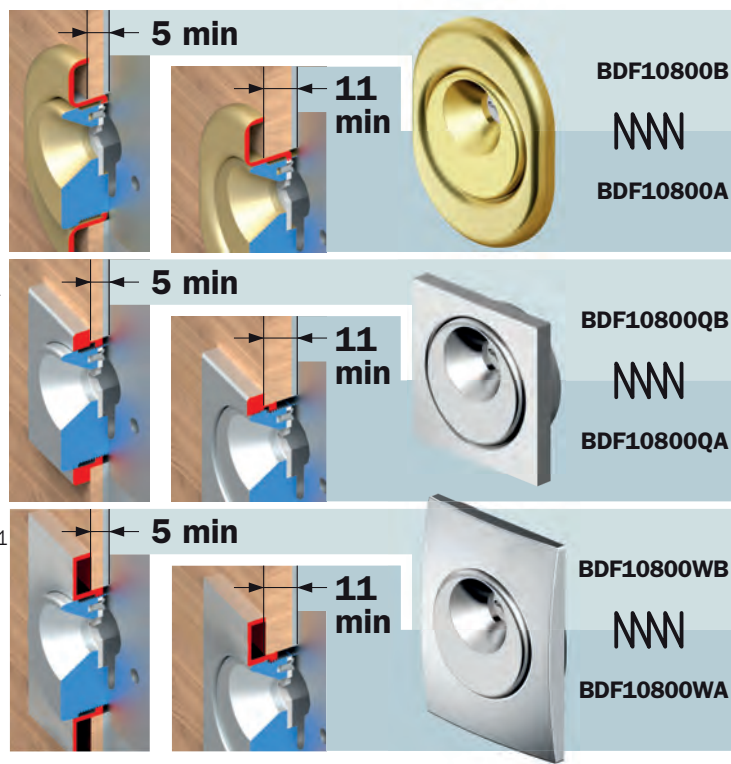
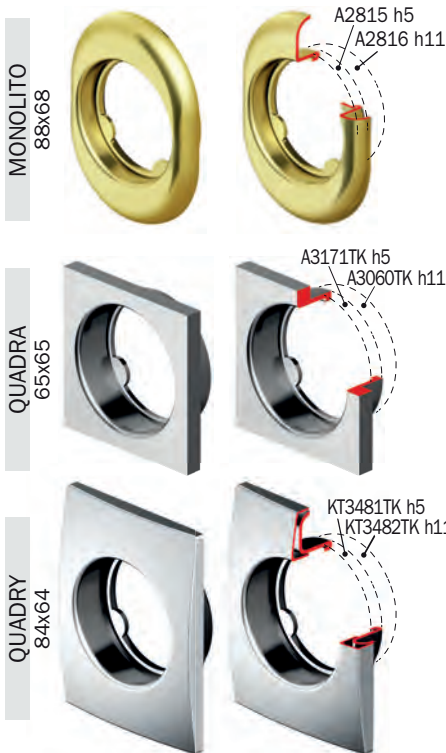
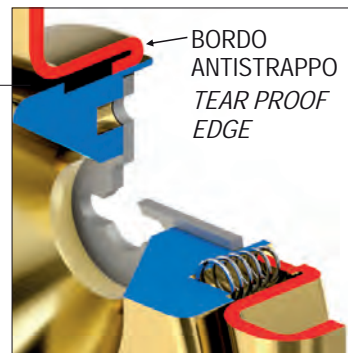
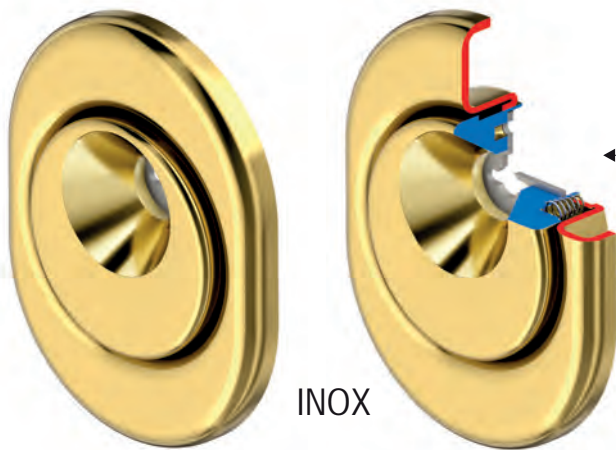


FINITURE FINISHES

- C** Cromo lucido
Bright Chrome
- T** Cromo satinato
Satin Chrome
- B** Bronzo
Bronze
- 2** PVD Ottone
PVD Brass
- IT** Inox satinato
Satin S.Steel
- N** Nero
Black



PER TUTTE LE VERSIONI
FOR ALL VERSIONS



pag.



pag.



DISSEC
DEFENDS THE FUTURE



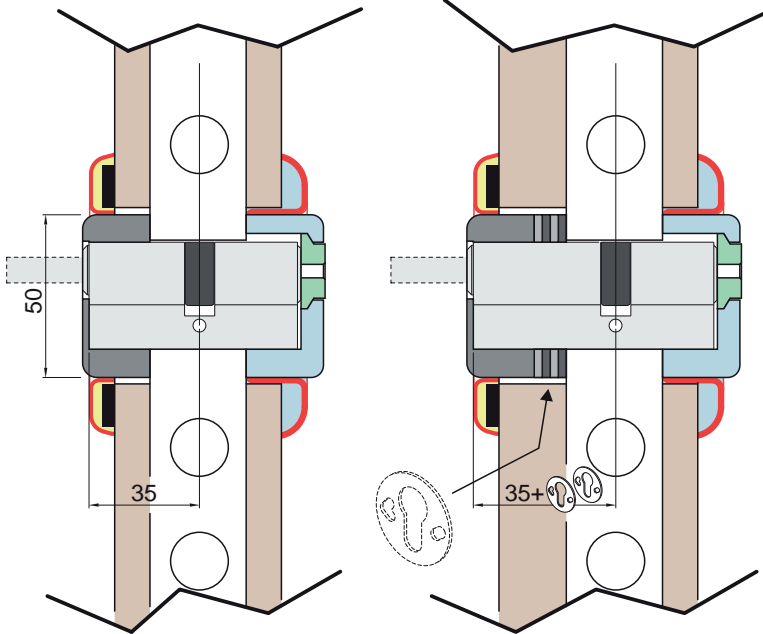
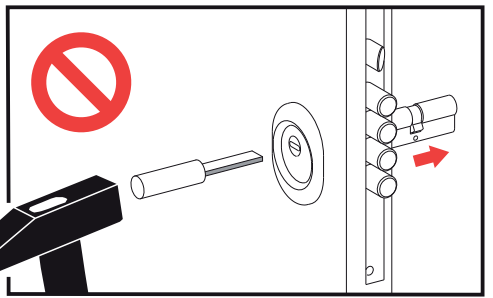
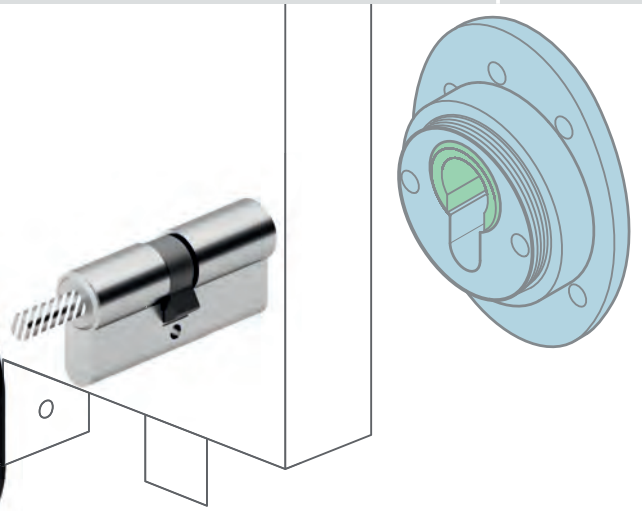
CONTRO DEF



VIDEO



CD2000 (x viti M6)
CD2008 (x viti M8)
CD3000 x ATRA



**SPESSORI
spacers**

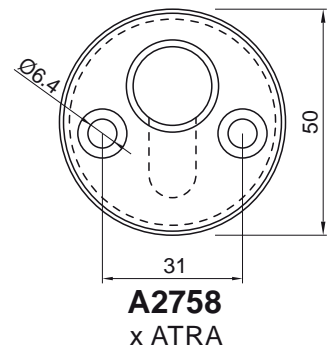
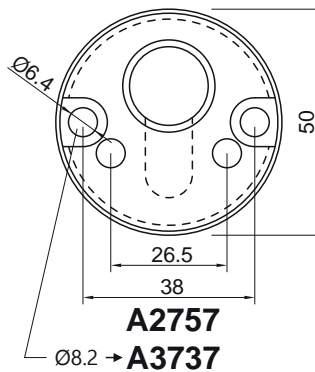
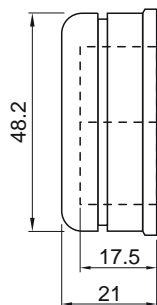
OPTIONAL
A4663

X CR

X MOIA

FINITURE / FINISHES

- | | |
|--|---|
| C Cromo lucido
Bright chrome | B Bronzo
Bronze |
| T Cromo satinato
Satin chrome | BS Bronzo satinato
Satin bronze |
| IT Inox satinato
Satin stainless steel | 2 PVD Ottone
PVD Brass |
| TT Ottone satinato
Satin brass | |



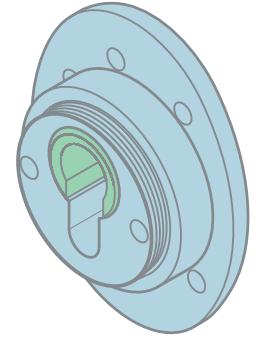


CONTRO DEF

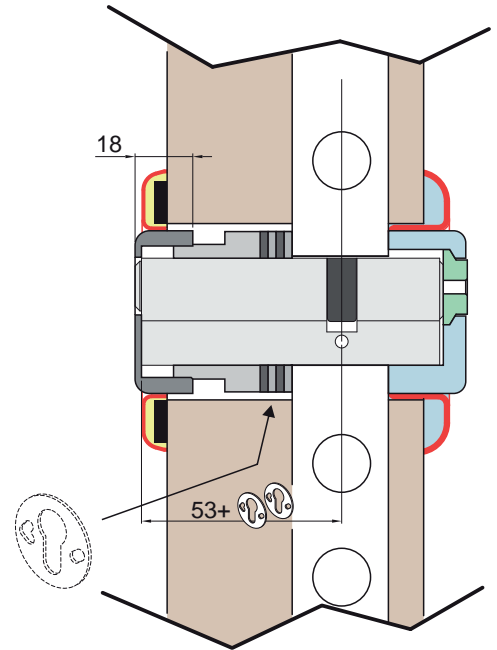
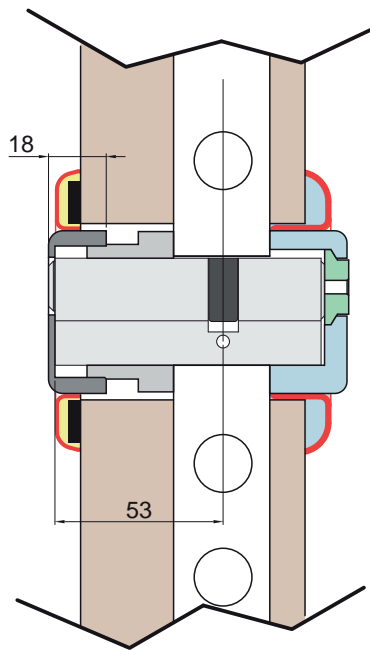
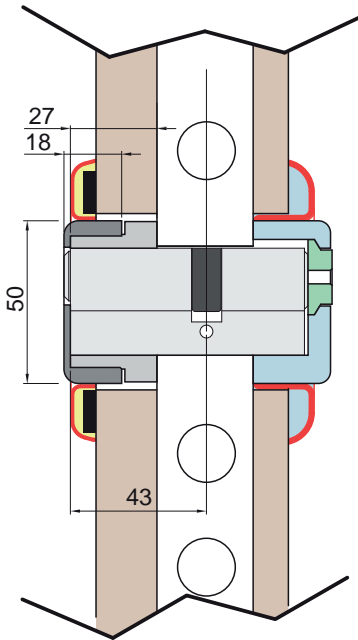
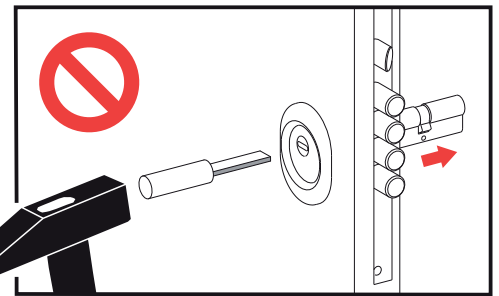


VIDEO

REGOLABILE
Adjustable

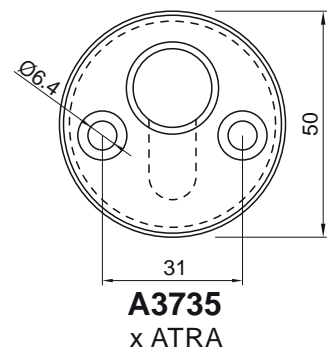
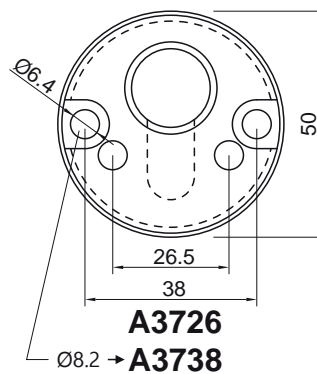
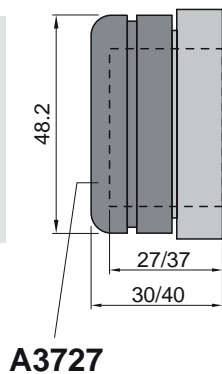


CD2100 (x viti M6)
CD2108 (x viti M8)
CD3100 x ATRA



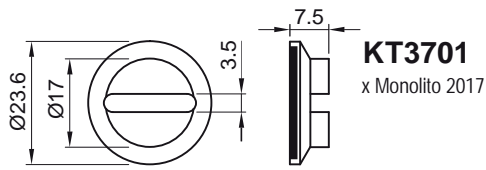
FINITURE / FINISHES

- | | |
|--|---|
| C Cromo lucido
Bright chrome | B Bronzo
Bronze |
| T Cromo satinato
Satin chrome | BS Bronzo satinato
Satin bronze |
| IT Inox satinato
Satin stainless steel | 2 PVD Ottone
PVD Brass |
| TT Ottone satinato
Satin brass | |

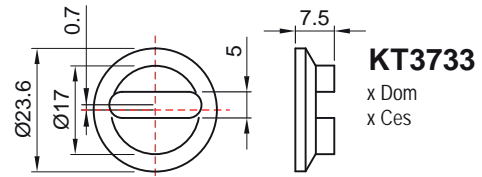




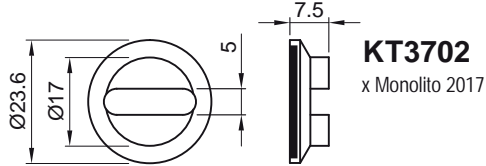
Ø24



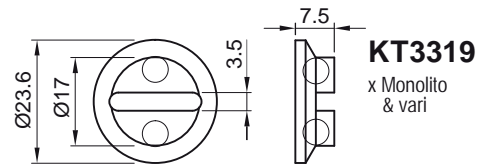
KT3701
x Monolito 2017



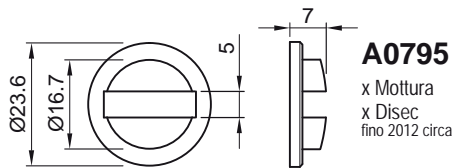
KT3733
x Dom
x Ces



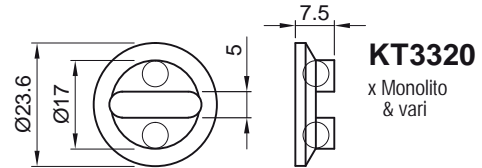
KT3702
x Monolito 2017



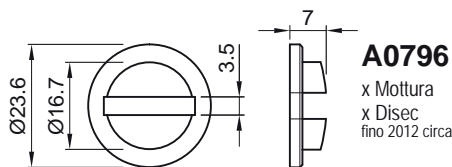
KT3319
x Monolito
& vari



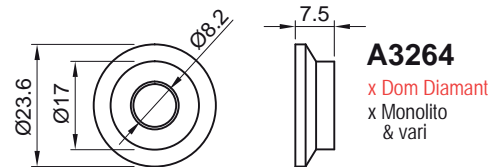
A0795
x Mottura
x Disec
fino 2012 circa



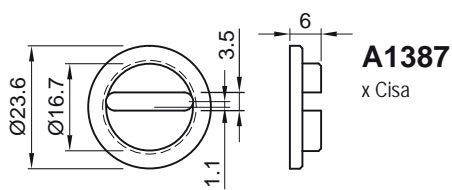
KT3320
x Monolito
& vari



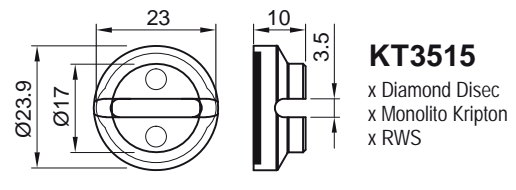
A0796
x Mottura
x Disec
fino 2012 circa



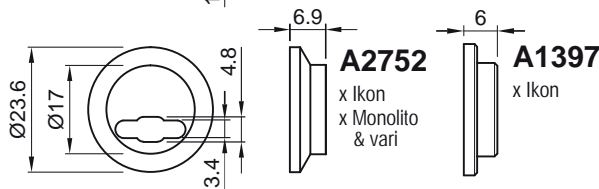
A3264
x Dom Diamant
x Monolito
& vari



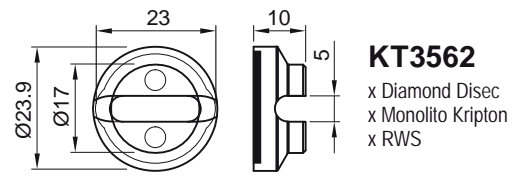
A1387
x Cisa



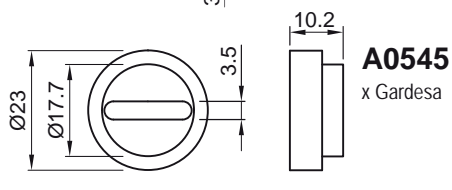
KT3515
x Diamond Disec
x Monolito Krypton
x RWS



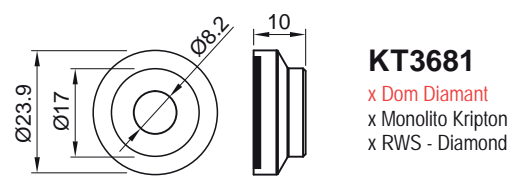
A2752 x Ikon
x Monolito
& vari
A1397 x Ikon



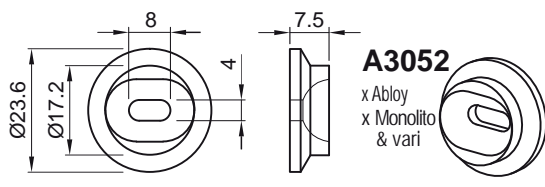
KT3562
x Diamond Disec
x Monolito Krypton
x RWS



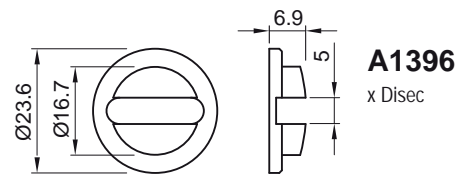
A0545
x Gardesa



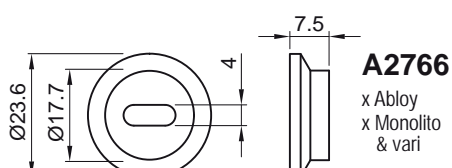
KT3681
x Dom Diamant
x Monolito Krypton
x RWS - Diamond



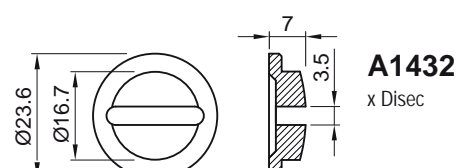
A3052
x Abloy
x Monolito
& vari



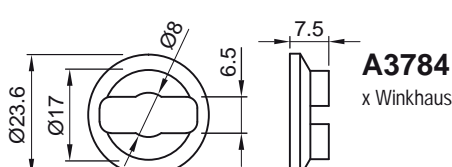
A1396
x Disec



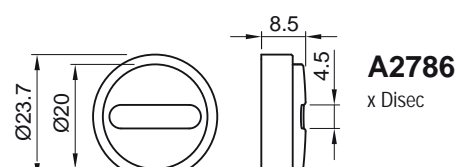
A2766
x Abloy
x Monolito
& vari



A1432
x Disec



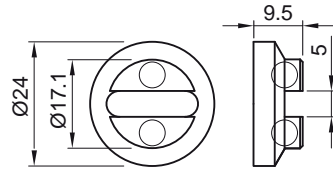
A3784
x Winkhaus



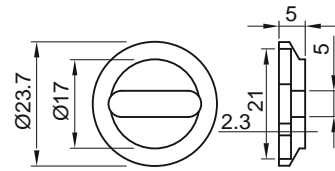
A2786
x Disec



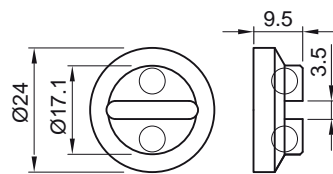
Ø24



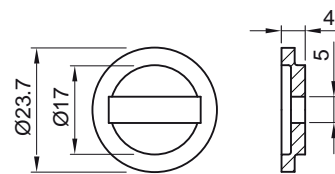
A3010
Antisketting
KONIK



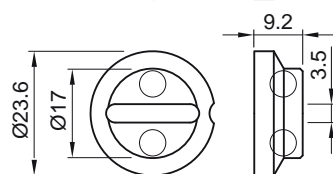
A4089



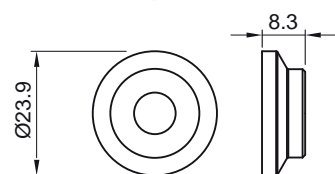
A3011
x Disec
KONIK



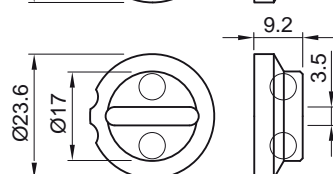
A4136



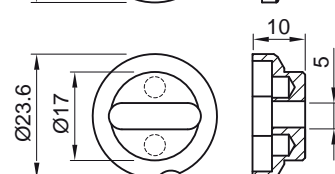
KT3333



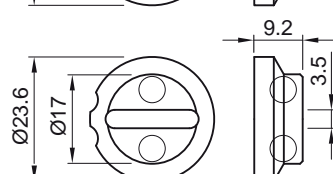
A4141



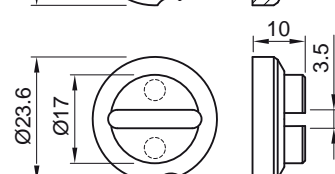
KT3334



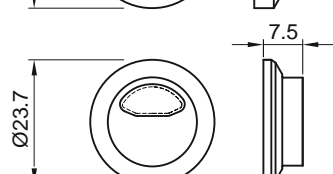
KT4199



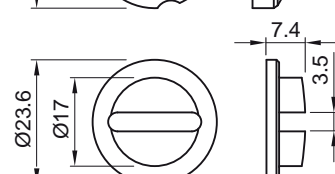
KT3339



KT4200



KT4211
Stealth



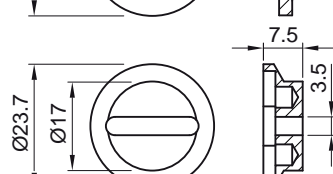
A4440



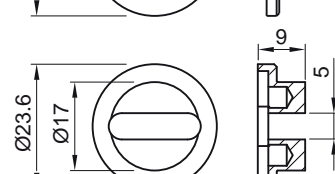
A4479



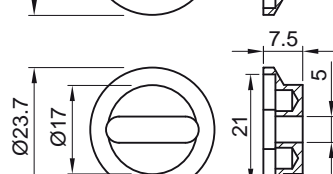
A4441



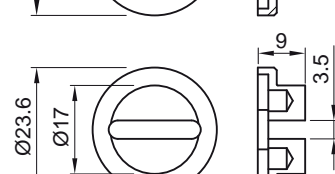
KT3767



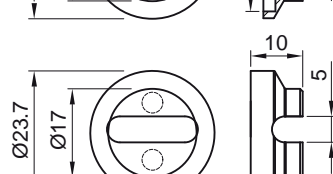
KT4482



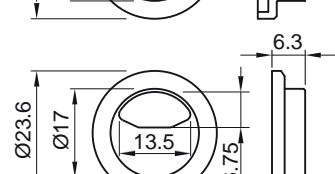
KT3768



KT4483

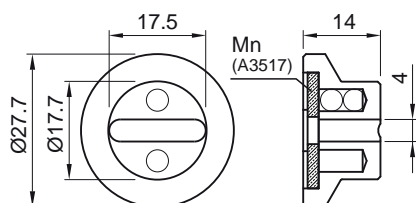


KT4006

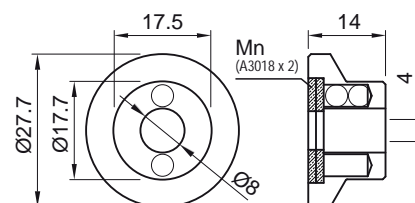


A4536
STEALTH

Ø27



KT3729
CLASSE 5



KT4370
CLASSE 5



MAGNETIC KEY

MAGNETIC LOCK PROTECTION

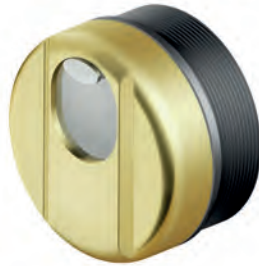
CONTROLLO ACCESSI
Access control



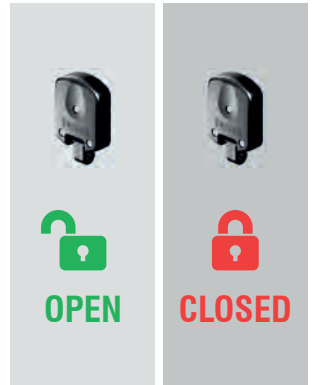
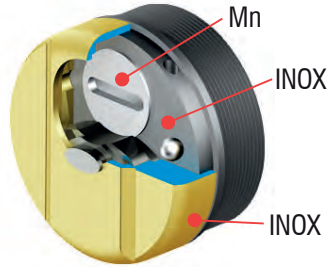
MAG4GN

PAT. PEND.

★★★★★



GRADO 4



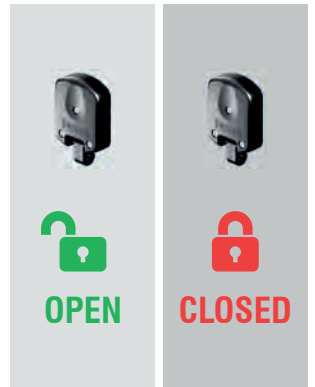
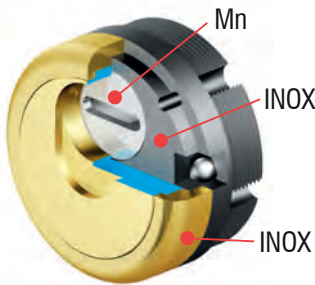
MAG3G

PAT. PEND.

★★★★★



GRADO 4



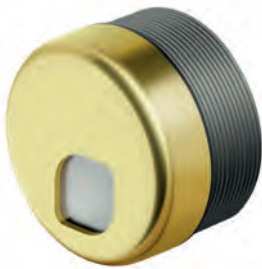
MRM25

PAT. PEND.

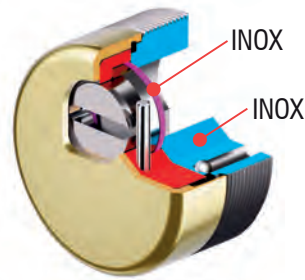
MRM27

PAT. PEND.

★★★★★

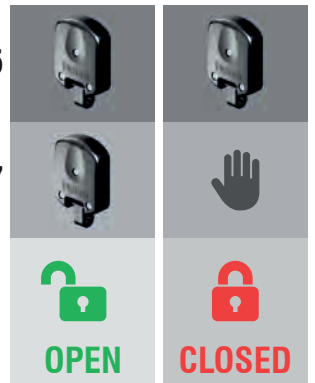


GRADO 4



MRM25

MRM27



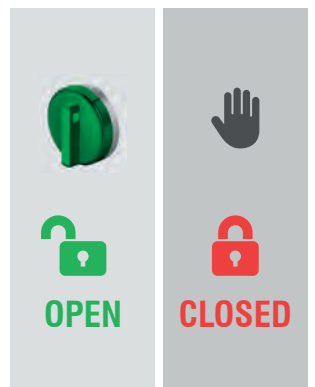
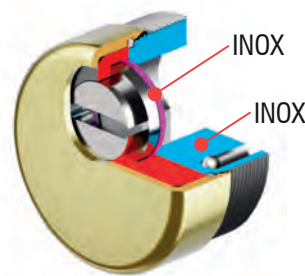
MRM29

PAT. PEND.

★★★



GRADO 4

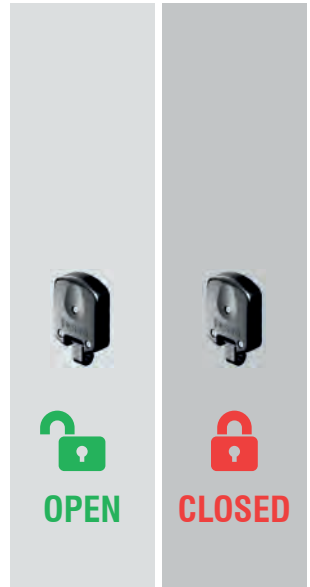




MG3551 EXTEND
MG3551
★★★★★



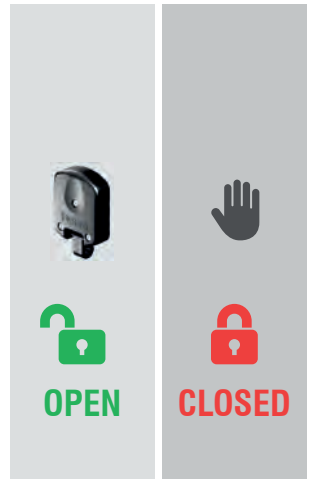
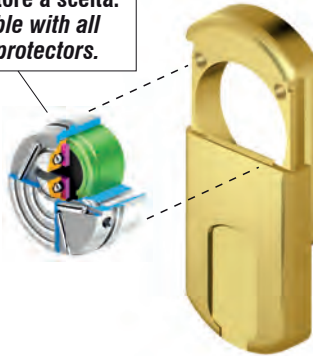
OPTIONAL
Fornibile con versione di protettore a scelta.
Available with all Disec protectors.



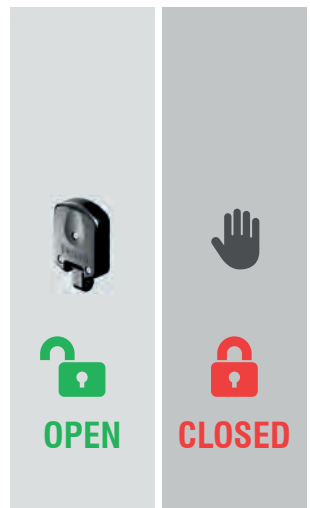
MG351 MINI
MG351 NW
★★★★★



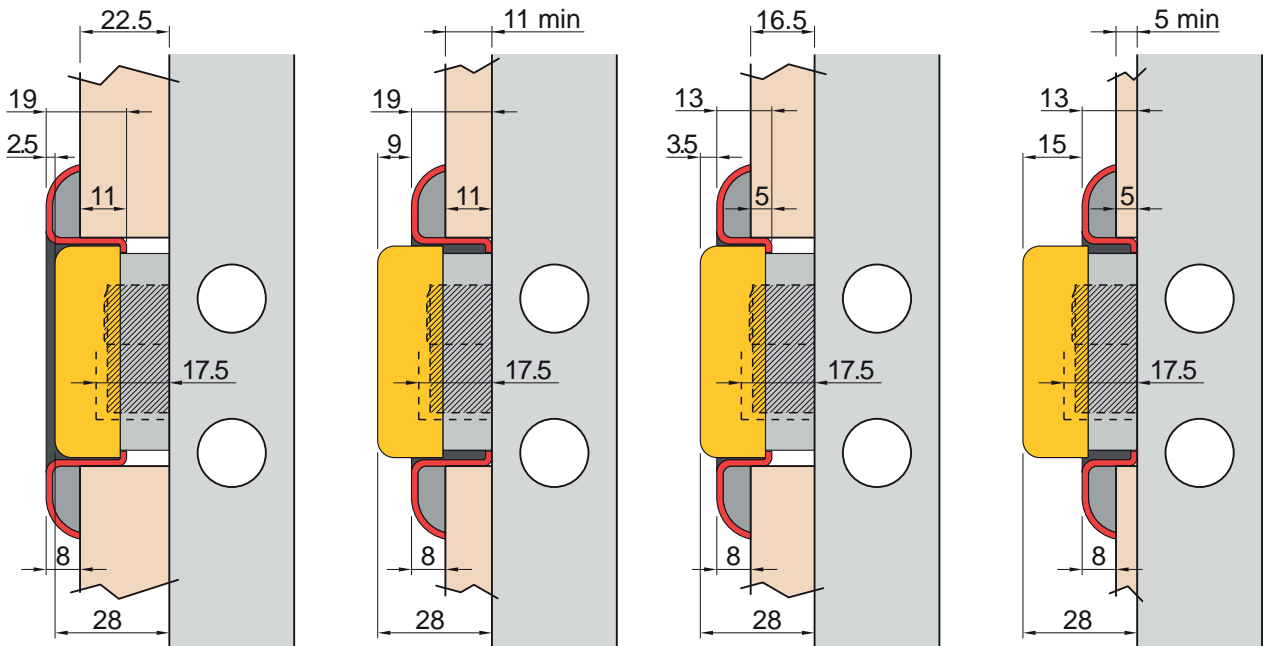
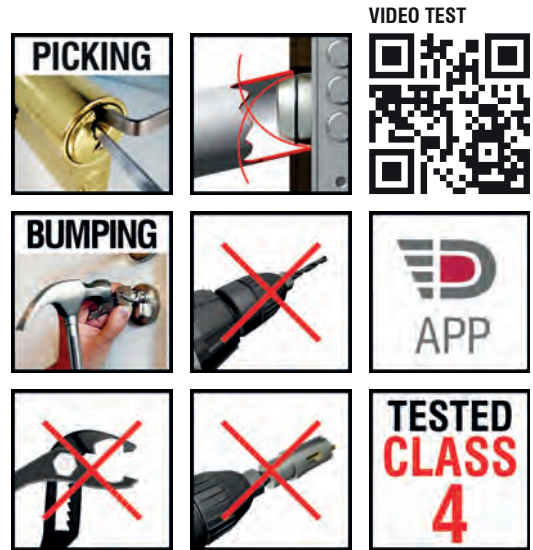
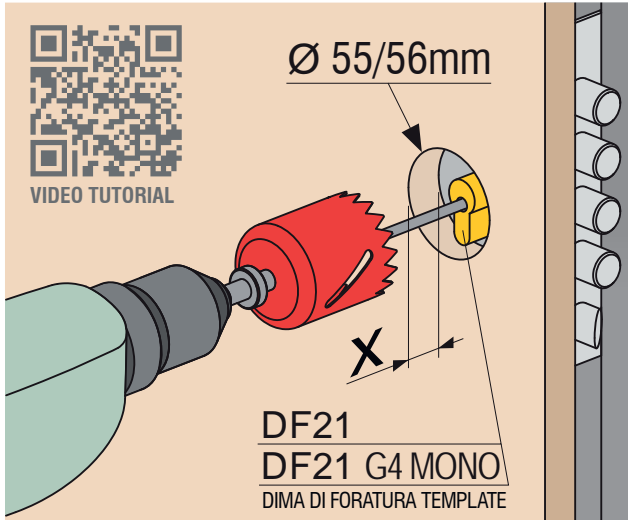
OPTIONAL
Fornibile con versione di protettore a scelta.
Available with all Disec protectors.



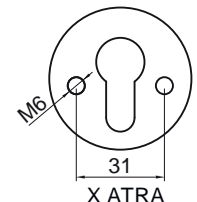
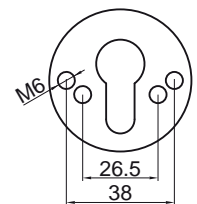
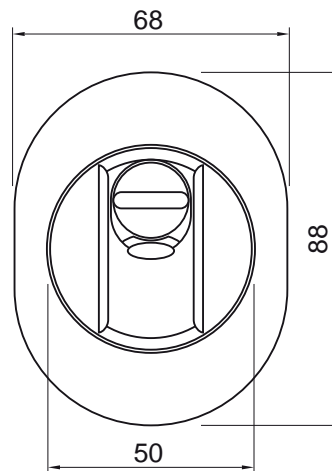
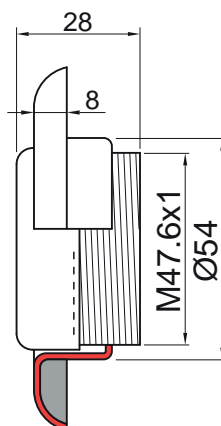
MG900
★★★★★



MAG 4GN
PAT. PEND.



KMOP49
CHIAVE MAGNETICA
MAGNETIC KEY



MAG 4GN
PAT. PEND.

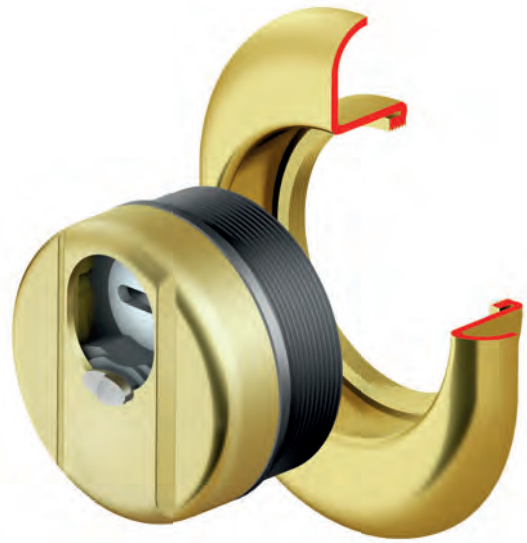


MAGNETIC KEY

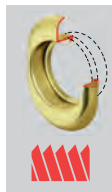
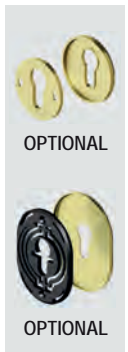
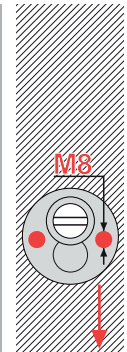
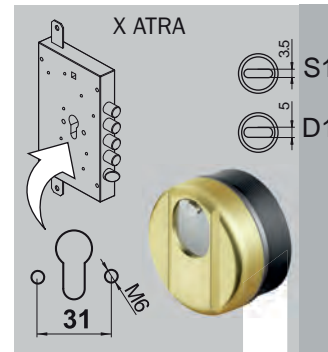
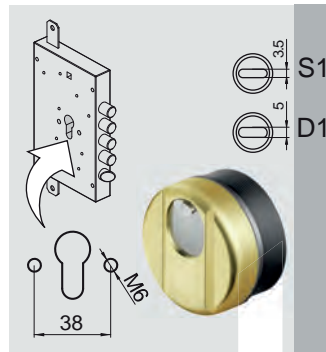
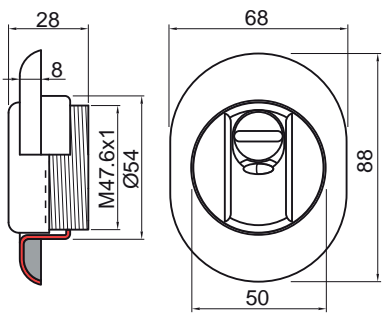
KEY CAP (OPTIONAL)

LA CHIAVE MAGNETICA PUO' ESSERE ACCOPIATA ALLA CHIAVE MECCANICA
COMPATIBILE CON LA MAGGIOR PARTE DELLE CHIAVI IN COMMERCIO
THE MAGNETIC HEAD CAN BE ATTACHED TO THE KEY OF THE CYLINDER
IT IS COMPATIBLE WITH MOST KEYS IN THE MARKET

VIDEO:



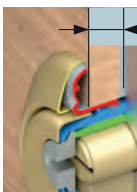
CONTROLLO ACCESSI
Access control



5 min

4GN2MB 25 ..

4GN3MB 25 ..



11 min

4GN2M 25 ..

4GN3M 25 ..

4GN2MB 8 25
ESEMPIO CODICE
ESEMPIO DI CODICE PER VITI M8
EXAMPLE OF CODE FOR FIXING M8

Cromo lucido
Bright Chrome
Cromo satinato
Satin Chrome
PVD Ottone
PVD Brass

FINITURE



ESEMPIO CODICE / EXAMPLE CODE:

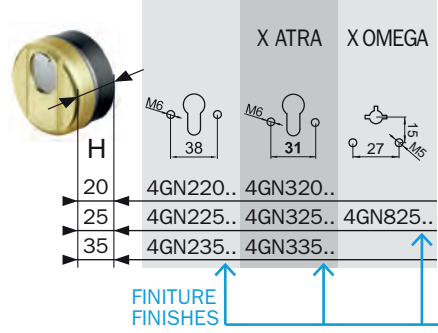
XXXXX H D1/S1

MONOLITO MAG 4GN

4GN

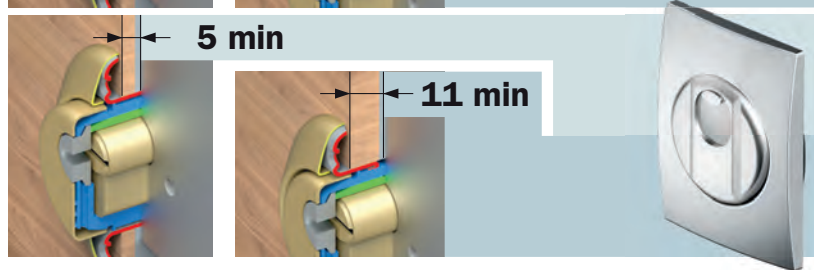
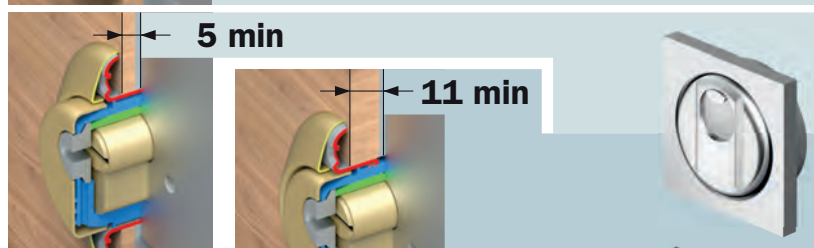
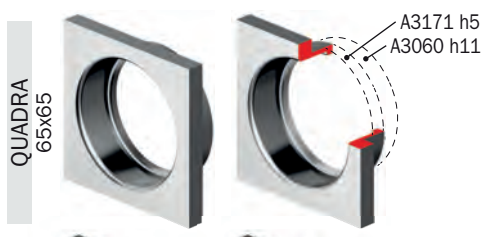
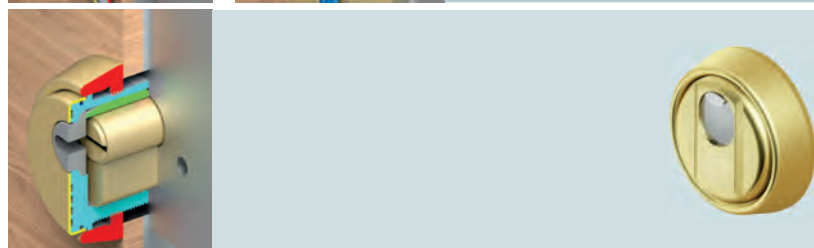
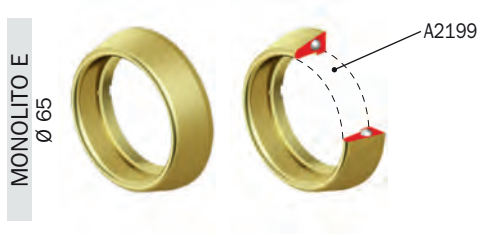
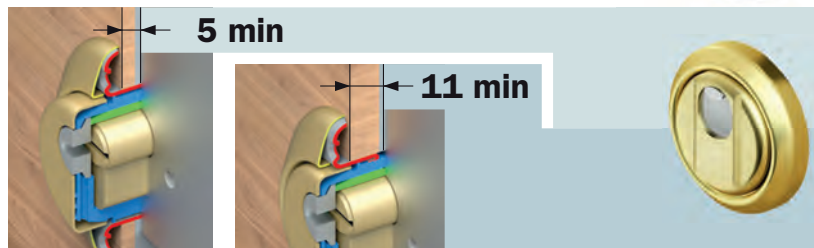
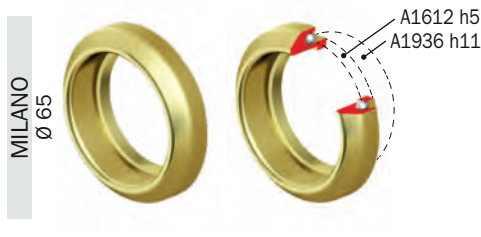
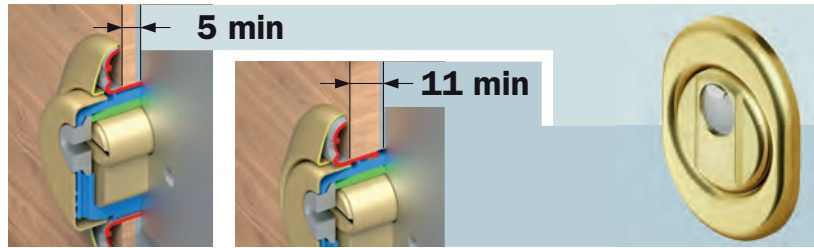
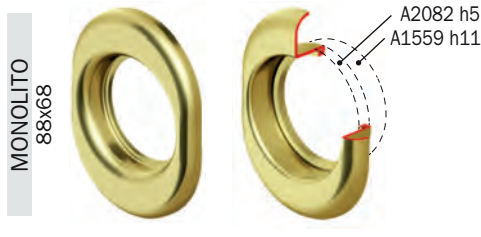
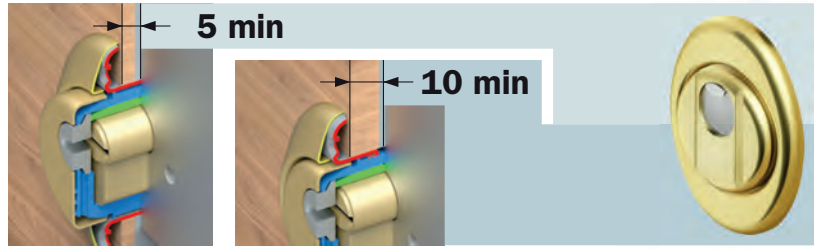
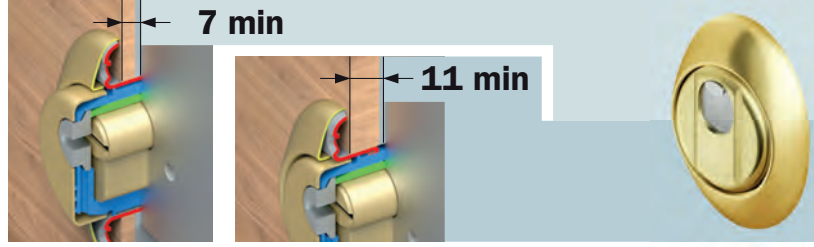


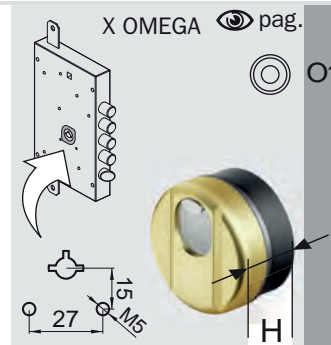
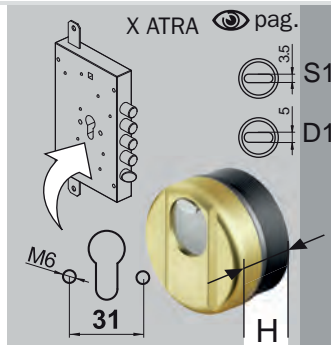
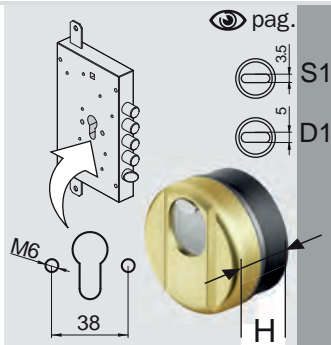
FILETTATO
Ø50



FINITURE FINISHES

- C Cromo lucido
Bright Chrome
- T Cromo satinato
Satin Chrome
- 2 PVD Ottone
PVD Brass
- II Inox satinato
Satin S.Steel





4GN2STB 20 ..
4GN2STB 25 ..
4GN2STB 35 ..

4GN3STB 20 ..
4GN3STB 25 ..
4GN3STB 35 ..

4GN2STB 8 20..
ESEMPIO CODICE

4GN8STB 25 O1 ..

4GN2ST 20 ..
4GN2ST 25 ..
4GN2ST 35 ..

4GN3ST 20 ..
4GN3ST 25 ..
4GN3ST 35 ..

4GN8ST 25 O1 ..

4GN2TB 20 ..
4GN2TB 25 ..
4GN2TB 35 ..

4GN3TB 20 ..
4GN3TB 25 ..
4GN3TB 35 ..

4GN8TB 25 O1 ..

4GN2T 20 ..
4GN2T 25 ..
4GN2T 35 ..

4GN3T 20 ..
4GN3T 25 ..
4GN3T 35 ..

4GN8T 25 O1 ..

4GN2MB 20 ..
4GN2MB 25 ..
4GN2MB 35 ..

4GN3MB 20 ..
4GN3MB 25 ..
4GN3MB 35 ..

4GN8MB 25 O1 ..

4GN2M 20 ..
4GN2M 25 ..
4GN2M 35 ..

4GN3M 20 ..
4GN3M 25 ..
4GN3M 35 ..

4GN8M 25 O1 ..

4GN2MMB 20 ..
4GN2MMB 25 ..
4GN2MMB 35 ..

4GN3MMB 20 ..
4GN3MMB 25 ..
4GN3MMB 35 ..

4GN8MMB 25 O1 ..

4GN2MM 20 ..
4GN2MM 25 ..
4GN2MM 35 ..

4GN3MM 20 ..
4GN3MM 25 ..
4GN3MM 35 ..

4GN8MM 25 O1 ..

4GN2EB 20 ..
4GN2EB 25 ..
4GN2EB 35 ..

4GN3EB 20 ..
4GN3EB 25 ..
4GN3EB 35 ..

4GN8EB 25 O1 ..

4GN2QB 20 ..
4GN2QB 25 ..
4GN2QB 35 ..

4GN3QB 20 ..
4GN3QB 25 ..
4GN3QB 35 ..

4GN8QB 25 O1 ..

4GN2Q 20 ..
4GN2Q 25 ..
4GN2Q 35 ..

4GN3Q 20 ..
4GN3Q 25 ..
4GN3Q 35 ..

4GN8Q 25 O1 ..

4GN2WB 20 ..
4GN2WB 25 ..
4GN2WB 35 ..

4GN3WB 20 ..
4GN3WB 25 ..
4GN3WB 35 ..

4GN8WB 25 O1 ..

4GN2W 20 ..
4GN2W 25 ..
4GN2W 35 ..

4GN3W 20 ..
4GN3W 25 ..
4GN3W 35 ..

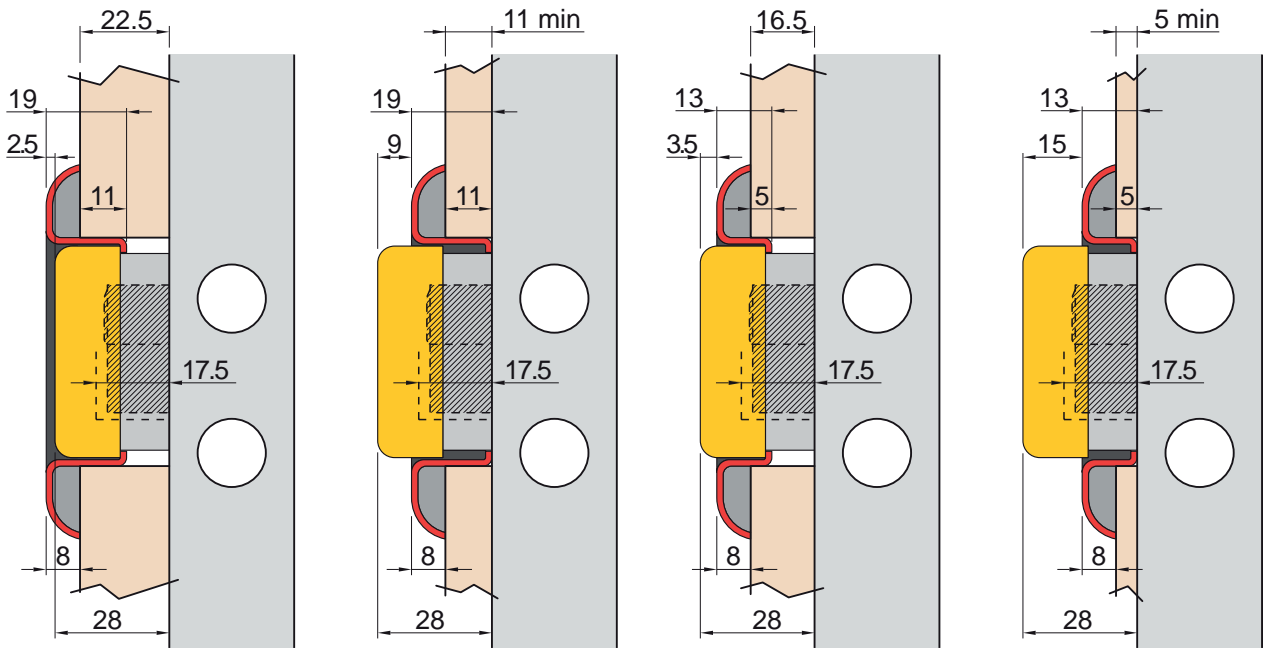
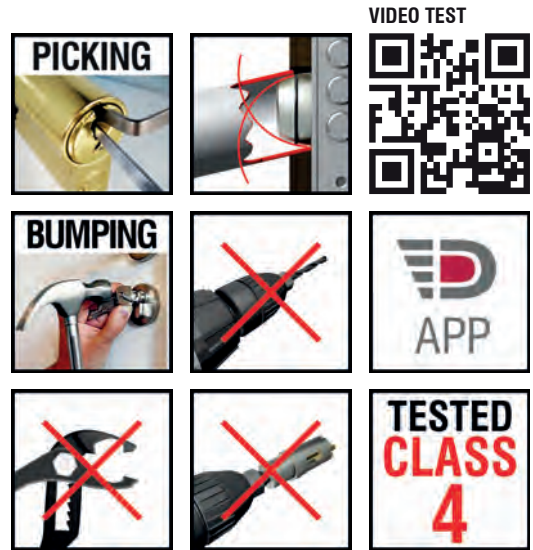
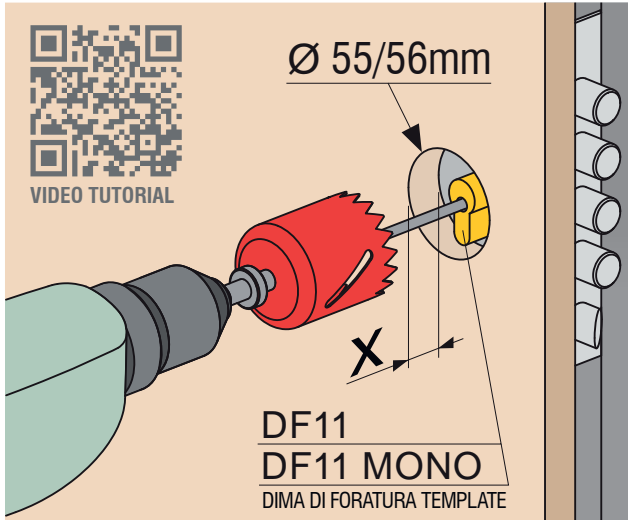
4GN8W 25 O1 ..

ESEMPIO DI CODICE PER VITI M8

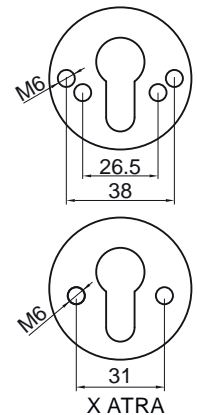
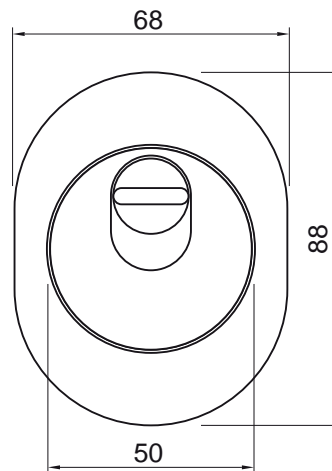
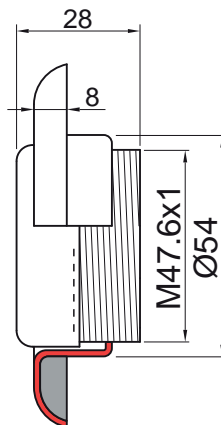
ESEMPIO DI CODICE PER VITI M8

MAG 3G

PAT. PEND.



KMOP3G
CHIAVE MAGNETICA
MAGNETIC KEY



MAG 3G
PAT. PEND.



MAGNETIC KEY



CONTROLLO ACCESSI
Access control

	MAGNETIC KEY CUSTOM PROFILE
	X OMEGA <i>VEDI CATALOGO</i> <i>See catalog</i>
	X MOTTURA 3D <i>VEDI CATALOGO</i> <i>See catalog</i>

VIDEO:



OPTIONAL

OPTIONAL

5 min

3G2MB25 ..

3G3MB 25 ..

3G3MB 8 25
ESEMPIO CODICE

OPTIONAL

11 min

3G2M25 ..

3G3M 25 ..

ESEMPIO DI CODICE PER VITI M8
EXAMPLE OF CODE FOR FIXING M8

OPTIONAL

ESEMPIO CODICE / EXAMPLE CODE: **XXXXX**

D1/S1

C T 2

FINITURE

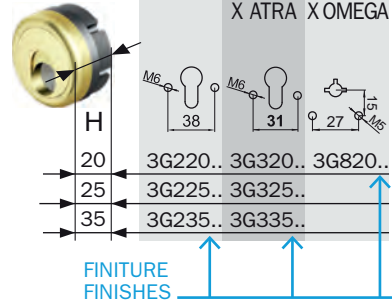
- Cromo lucido
- Cromo satinato
- PVD Ottone
- PVD Brass

MONOLITO MAG 3G

FILETTATO

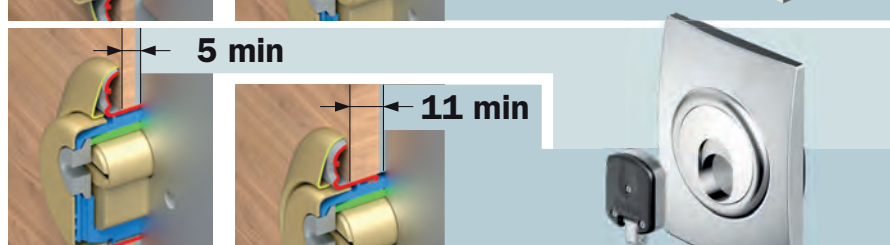
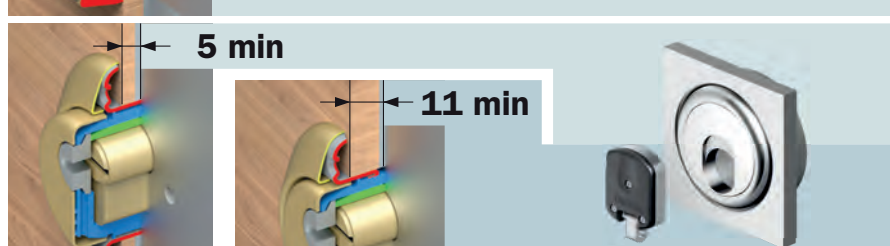
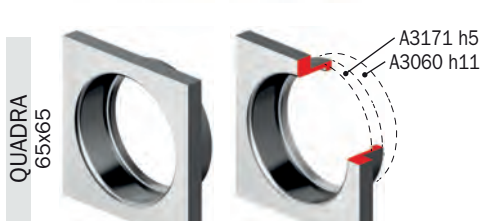
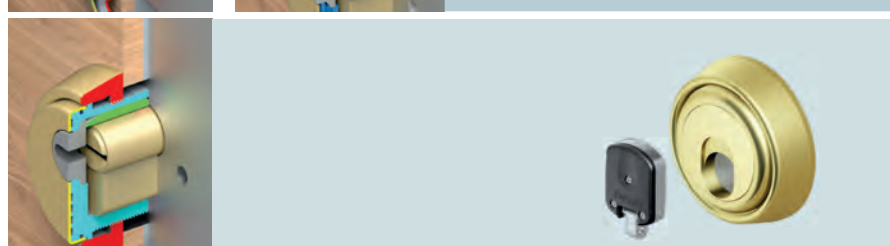
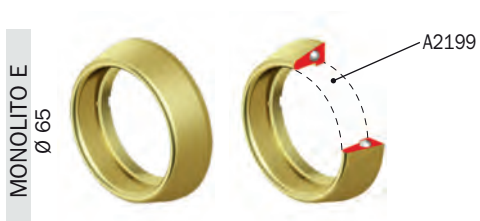
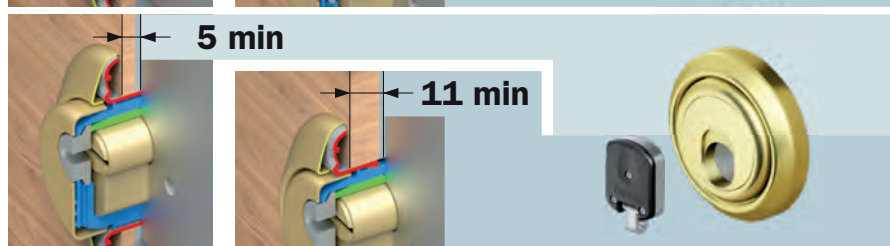
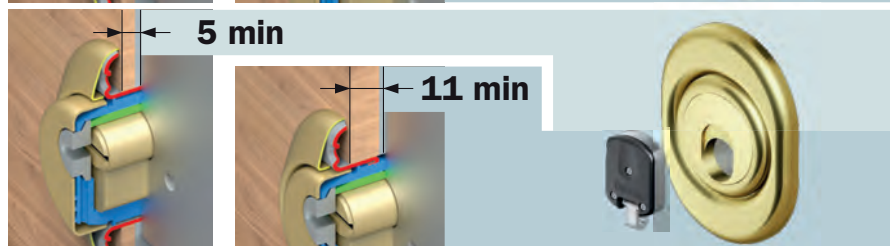
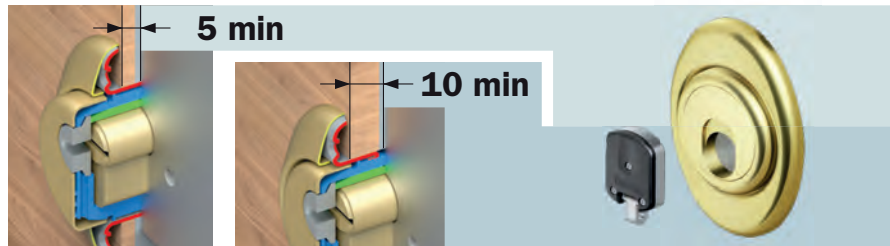
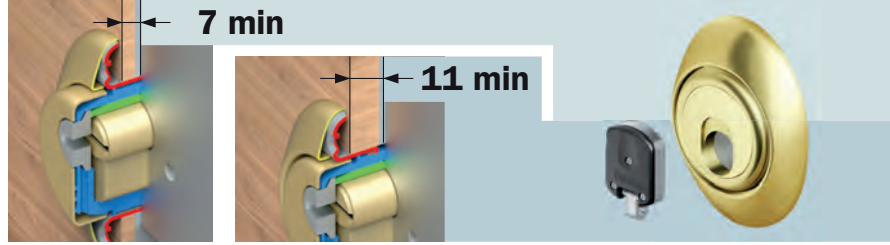


Ø50



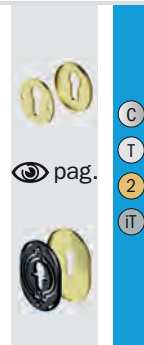
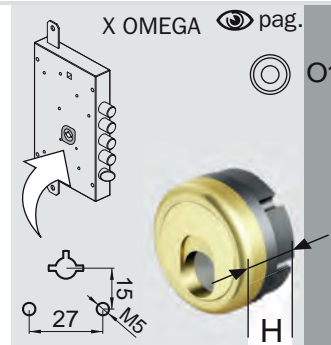
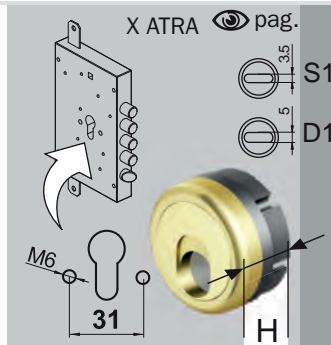
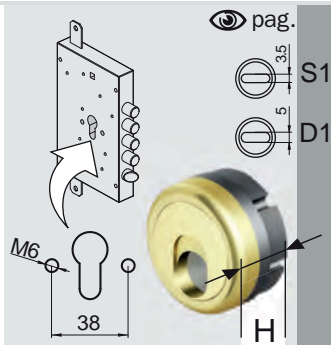
FINITURE FINISHES

- C Cromo lucido
Bright Chrome
- T Cromo satinato
Satin Chrome
- 2 PVD Ottone
PVD Brass
- II Inox satinato
Satin S.Steel



3G

DISEC
DEFENDS THE FUTURE



3G2STB 20 ..
3G2STB 25 ..
3G2STB 35 ..

3G3STB 20 ..
3G3STB 25 ..
3G3STB 35 ..

3G2STB 8 20..
ESEMPIO
CODICE

3G8STB 20 O1 ..

3G2ST 20 ..
3G2ST 25 ..
3G2ST 35 ..

3G3ST 20 ..
3G3ST 25 ..
3G3ST 35 ..

3G8ST 20 O1 ..

3G2TB 20 ..
3G2TB 25 ..
3G2TB 35 ..

3G3TB 20 ..
3G3TB 25 ..
3G3TB 35 ..

3G8TB 20 O1 ..

3G2T 20 ..
3G2T 25 ..
3G2T 35 ..

3G3T 20 ..
3G3T 25 ..
3G3T 35 ..

3G8T 20 O1 ..

3G2MB 20 ..
3G2MB 25 ..
3G2MB 35 ..

3G3MB 20 ..
3G3MB 25 ..
3G3MB 35 ..

3G8MB 20 O1 ..

3G2M 20 ..
3G2M 25 ..
3G2M 35 ..

3G3M 20 ..
3G3M 25 ..
3G3M 35 ..

3G8M 20 O1 ..

3G2MMB 20 ..
3G2MMB 25 ..
3G2MMB 35 ..

3G3MMB 20 ..
3G3MMB 25 ..
3G3MMB 35 ..

3G8MMB 20 O1 ..

3G2MM 20 ..
3G2MM 25 ..
3G2MM 35 ..

3G3MM 20 ..
3G3MM 25 ..
3G3MM 35 ..

3G8MM 20 O1 ..

3G2EB 20 ..
3G2EB 25 ..
3G2EB 35 ..

3G3EB 20 ..
3G3EB 25 ..
3G3EB 35 ..

3G8EB 20 O1 ..

3G2QB 20 ..
3G2QB 25 ..
3G2QB 35 ..

3G3QB 20 ..
3G3QB 25 ..
3G3QB 35 ..

3G8QB 20 O1 ..

3G2Q 20 ..
3G2Q 25 ..
3G2Q 35 ..

3G3Q 20 ..
3G3Q 25 ..
3G3Q 35 ..

3G8Q 20 O1 ..

3G2WB 20 ..
3G2WB 25 ..
3G2WB 35 ..

3G3WB 20 ..
3G3WB 25 ..
3G3WB 35 ..

3G8WB 20 O1 ..

3G2W 20 ..
3G2W 25 ..
3G2W 35 ..

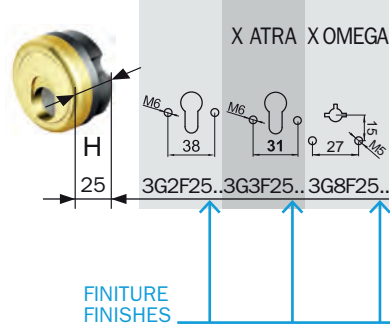
3G3W 20 ..
3G3W 25 ..
3G3W 35 ..

3G8W 20 O1 ..

EXAMPLE OF CODE FOR FIXING M8

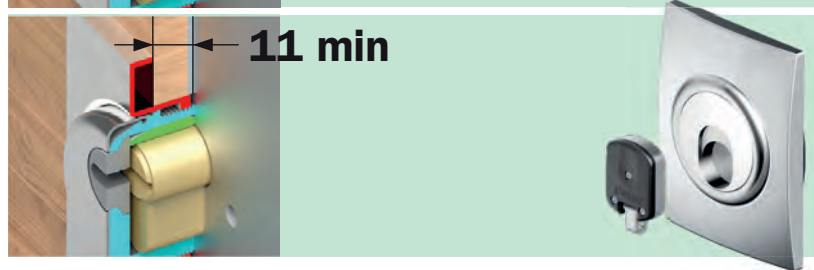
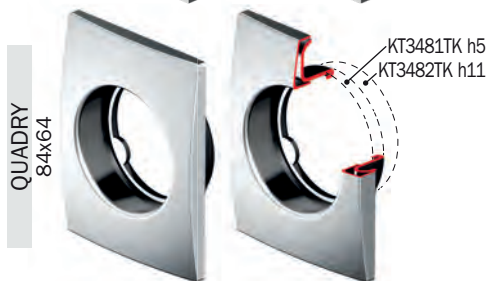
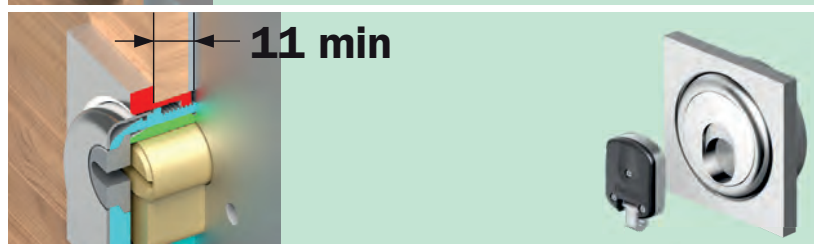
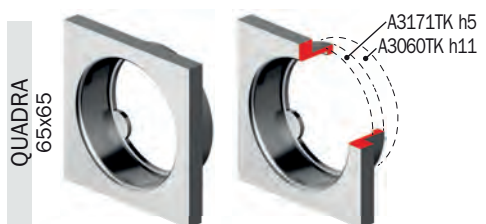
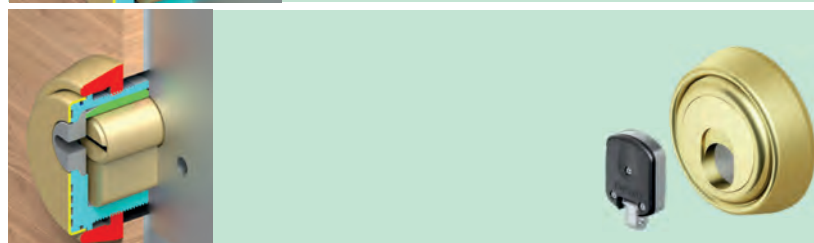
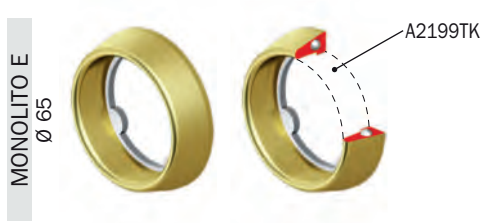
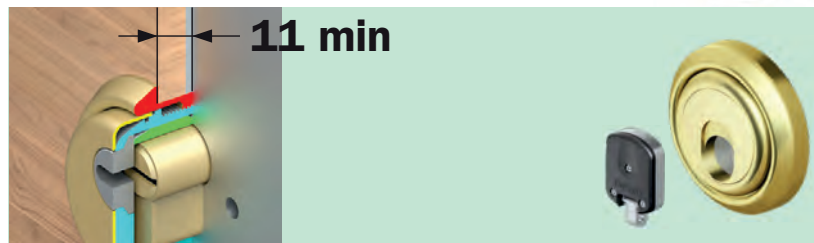
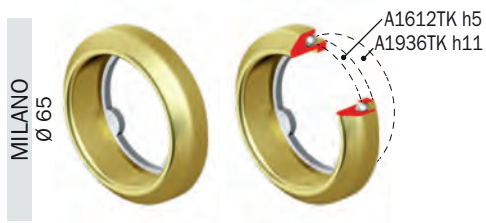
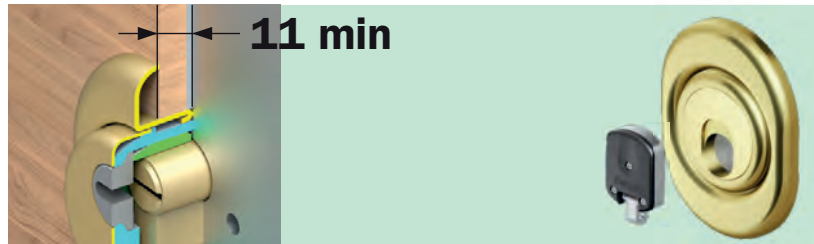
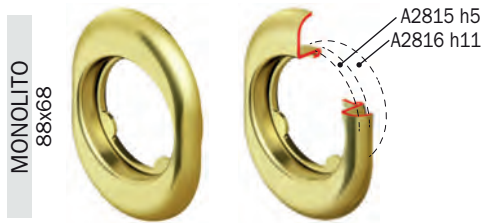
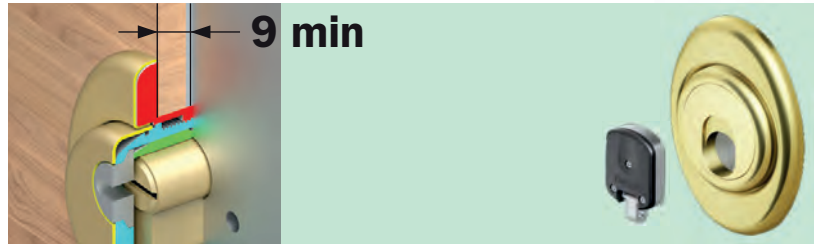
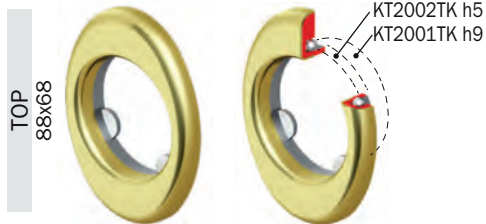
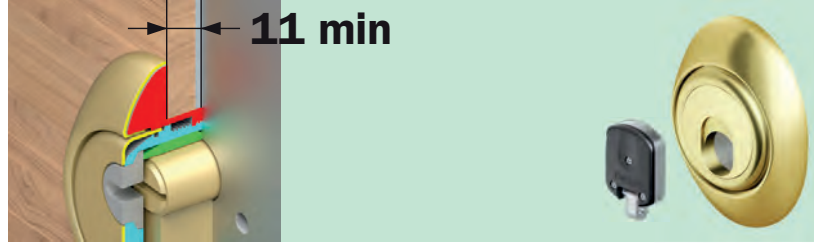
ESEMPIO DI CODICE PER VITI M8

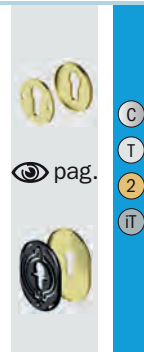
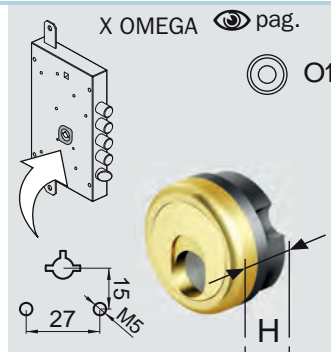
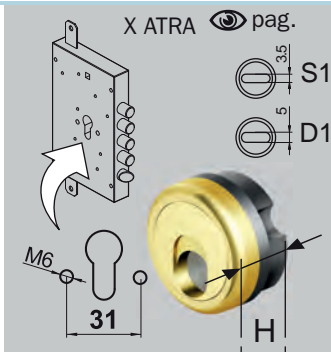
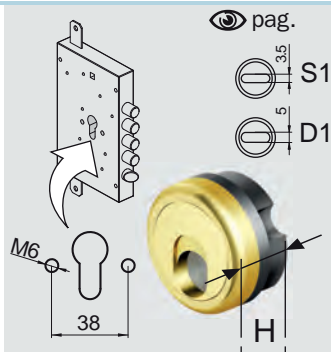




FINITURE FINISHES

- C Cromo lucido Bright Chrome
- T Cromo satinato Satin Chrome
- 2 PVD Ottone PVD Brass
- II Inox satinato Satin S.Steel





3G2STF 25

3G3STF 25

3G8STF 25 O1

3G2TF 25

3G3TF 25

3G8TF 25 O1

3G2MF 25

3G3MF 25

3G8MF 25 O1

3G2MMF 25

3G3MMF 25

3G8MMF 25 O1

3G2EBF 25

3G3EBF 25

3G8EBF 25 O1

3G2QF 25

3G3QF 25

3G8QF 25 O1



3G2WF 25

3G3WF 25

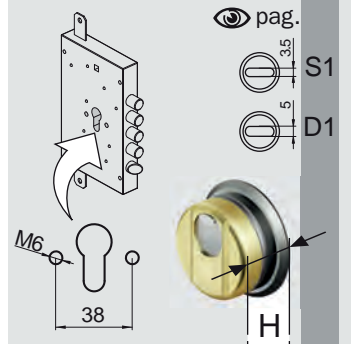
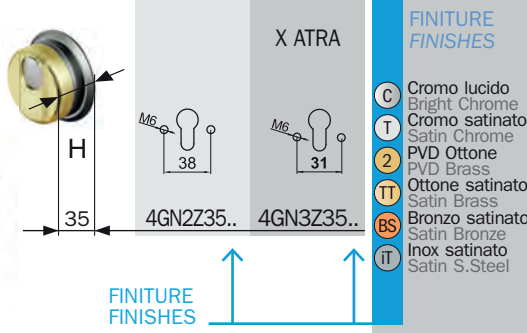
3G8WF 25 O1



C
T
2
IT

MAG 4GN

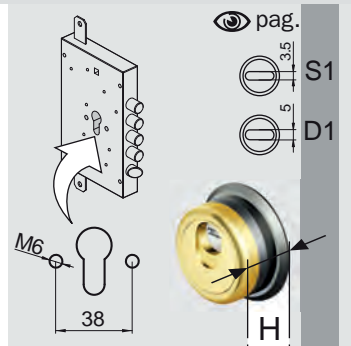
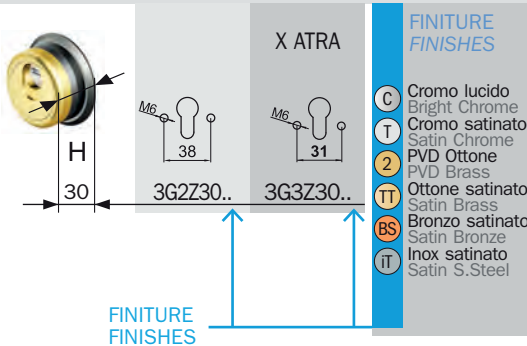
Ø50



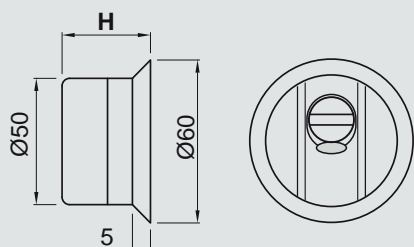
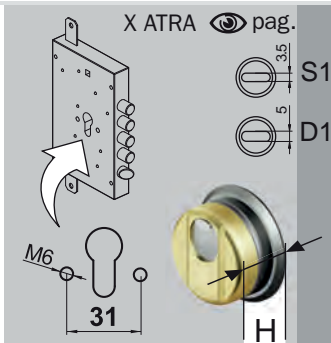
	4GN2Z 35	..	P
	4GN2ZW 35	..	P
	4GN2ZK 35	..	P

MAG 3G

Ø50



	3G2Z 30	..	P
	3G2ZW 30	..	P
	3G2ZK 30	..	P



**FINITURE
FINISHES**

- C Cromo lucido
Bright Chrome
- T Cromo satinato
Satin Chrome
- 2 PVD Ottone
PVD Brass
- TT Ottone satinato
Satin Brass
- BS Bronzo satinato
Satin Bronze
- IT Inox satinato
Satin S.Steel

4GN3Z 35 .. P

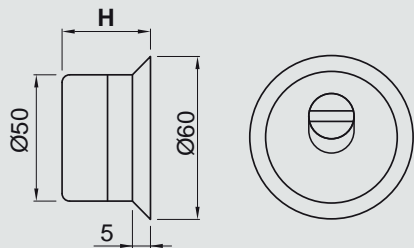
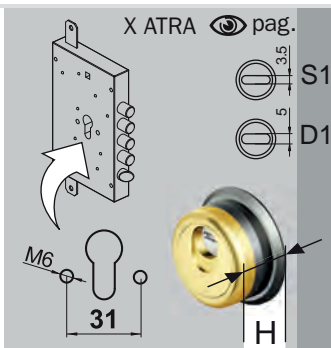
4GN3ZW 35 .. P

4GN3ZK 35 .. P

4GN2Z 8 35..
ESEMPIO
CODICE

ESEMPIO DI CODICE PER VITI M8
EXAMPLE OF CODE FOR FIXING M8

- C Cromo lucido
Bright Chrome
- T Cromo satinato
Satin Chrome
- 2 PVD Ottone
PVD Brass
- IT Inox satinato
Satin S.Steel



3G3Z 30 .. P

3G3ZW 30 .. P

3G3ZK 30 .. P

3G2Z 8 30
ESEMPIO
CODICE

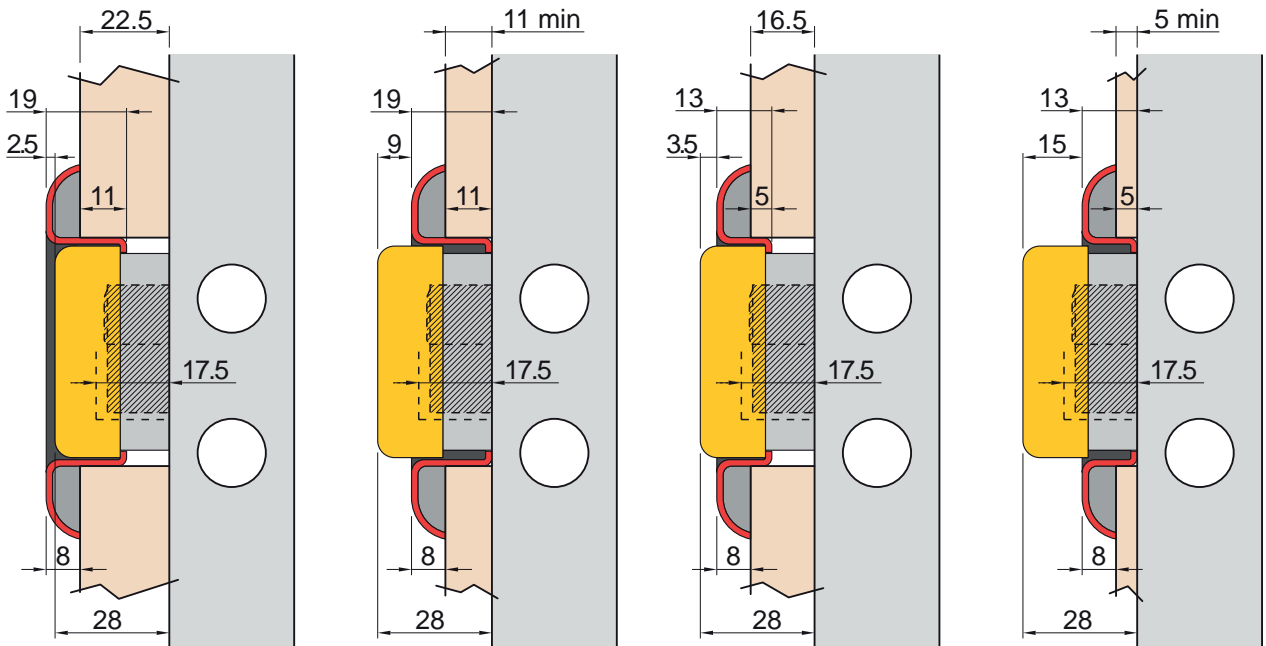
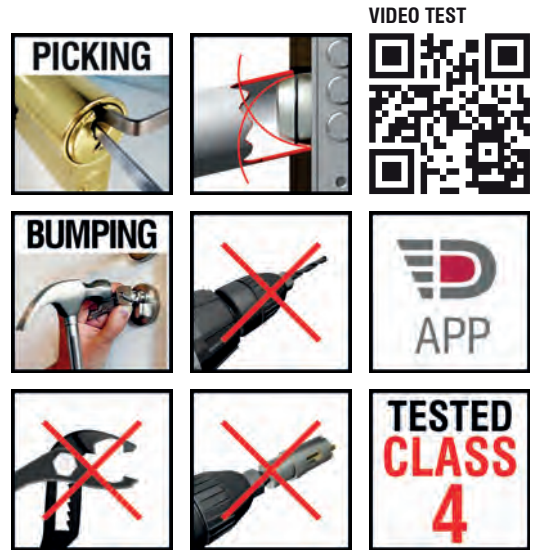
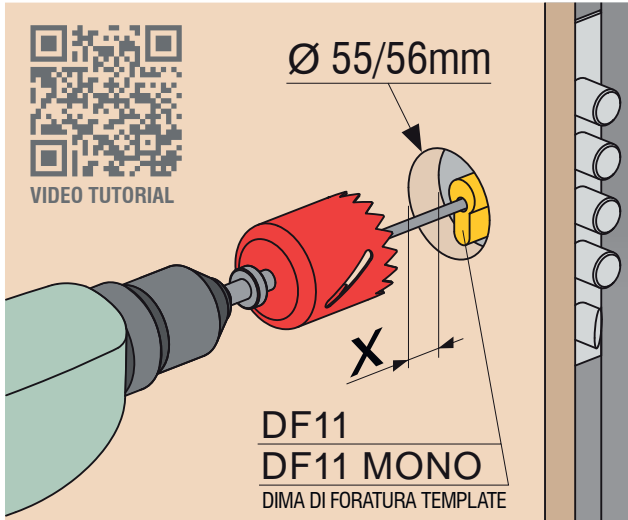
ESEMPIO DI CODICE PER VITI M8
EXAMPLE OF CODE FOR FIXING M8

- C Cromo lucido
Bright Chrome
- T Cromo satinato
Satin Chrome
- 2 PVD Ottone
PVD Brass
- IT Inox satinato
Satin S.Steel

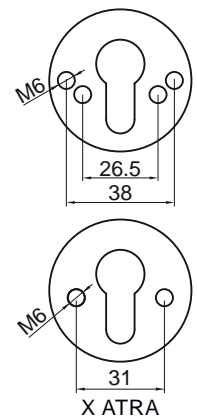
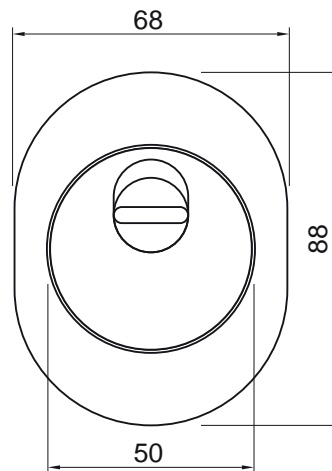
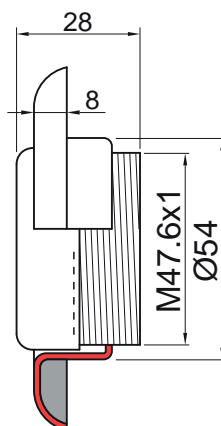


MRM29

PAT. PEND.



KMOP42
CHIAVE MAGNETICA
MAGNETIC KEY



MRM29

PAT. PEND.



MAGNETIC KEY



CONTROLLO ACCESSI
Access control

	MAGNETIC KEY CUSTOM PROFILE
	X OMEGA <i>VEDI CATALOGO</i> <i>See catalog</i>
	X MOTTURA 3D <i>VEDI CATALOGO</i> <i>See catalog</i>

VIDEO:



OPTIONAL

OPTIONAL

5 min

MRM29B25 ..

MRM39B 25 ..

MRM29B 8 25
ESEMPIO CODICE

OPTIONAL

11 min

MRM2925 ..

MRM39 25 ..

ESEMPIO DI CODICE PER VITI M8
EXAMPLE OF CODE FOR FIXING M8

OPTIONAL

ESEMPIO CODICE / EXAMPLE CODE: **XXXXX**

D1/S1

C T 2

FINITURE

- Cromo lucido
- Bright Chrome
- Cromo satinato
- Satin Chrome
- Bronzo
- Bronze
- PVD Ottone
- PVD Brass

MAG ROUND

MR - 29 -

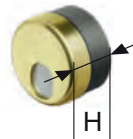


FILETTATO



Ø50

SUPER TOP 86x66		KT2896 h7 KT2897 h11
TOP 88x68		KT2002 h5 KT2001 h9
MONOLITO 88x68		A2082 h5 A1559 h11
MILANO Ø 65		A1612 h5 A1936 h11
MONOLITO E Ø 65		A2199
QUADRA 65x65		A3171 h5 A3060 h11
QUADRY 84x64		KT3481 h5 KT3482 h11



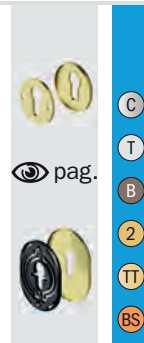
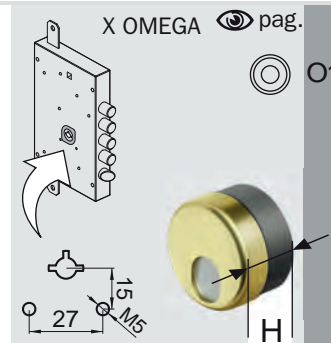
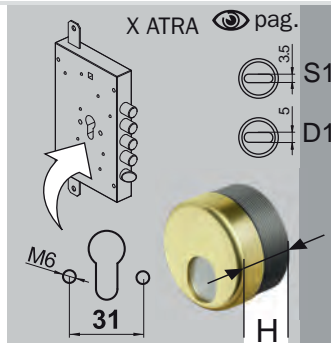
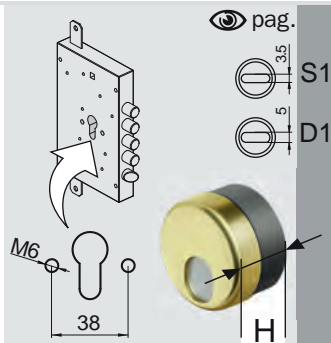
H	X ATRA	X OMEGA
20	MR12920..	MR13920.. MR29820..
25	MR12925..	MR13925.. MR29825..
35	MR12935..	MR13935..
45	MR12945..	

FINITURE FINISHES

FINITURE FINISHES

- C Cromo lucido
- T Bright Chrome
- BS Cromo satinato
- T Satin Chrome
- B Bronzo
- 2 Bronze
- 2 PVD Ottone
- 2 PVD Brass
- TT Ottone satinato
- BS Satin Brass
- BS Bronzo satinato
- II Satin Bronze
- II Inox satinato
- II Satin S.Steel

	7 min		
	11 min		
	5 min	9 min	
	5 min	11 min	
	5 min	11 min	
	5 min	11 min	
	5 min	11 min	



MRSTB29 20 ..
 MRSTB29 25 ..
 MRSTB29 35 ..
 MRSTB29 45 ..
 MRSTA29 20 ..
 MRSTA29 25 ..
 MRSTA29 35 ..
 MRSTA29 45 ..

MRSTB39 20 ..
 MRSTB39 25 ..
 MRSTB39 35 ..
 MRSTA39 20 ..
 MRSTA39 25 ..
 MRSTA39 35 ..

MRSTB29 8 20..
 ESEMPIO
 CODICE

MRSTB108 20 ..
 MRSTB108 25 ..
 MRSTA108 20 ..
 MRSTA108 25 ..

MRTB29 20 ..
 MRTB29 25 ..
 MRTB29 35 ..
 MRTB29 45 ..
 MRTA29 20 ..
 MRTA29 25 ..
 MRTA29 35 ..
 MRTA29 45 ..

MRTB39 20 ..
 MRTB39 25 ..
 MRTB39 35 ..
 MRTA39 20 ..
 MRTA39 25 ..
 MRTA39 35 ..

MRTB108 20 ..
 MRTB108 25 ..
 MRTA108 20 ..
 MRTA108 25 ..

MRM29B 20 ..
 MRM29B 25 ..
 MRM29B 35 ..
 MRM29B 45 ..
 MRM29 20 ..
 MRM29 25 ..
 MRM29 35 ..
 MRM29 45 ..

MRM39B 20 ..
 MRM39B 25 ..
 MRM39B 35 ..
 MRM39 20 ..
 MRM39 25 ..
 MRM39 35 ..

MRM108B 20 ..
 MRM108B 25 ..
 MRM108A 20 ..
 MRM108A 25 ..

MRM29MB 20 ..
 MRM29MB 25 ..
 MRM29MB 35 ..
 MRM29MB 45 ..
 MRM29MA 20 ..
 MRM29MA 25 ..
 MRM29MA 35 ..
 MRM29MA 45 ..

MRM39MB 20 ..
 MRM39MB 25 ..
 MRM39MB 35 ..
 MRM39MA 20 ..
 MRM39MA 25 ..
 MRM39MA 35 ..

MRM108MB 20 ..
 MRM108MB 25 ..
 MRM108MA 20 ..
 MRM108MA 25 ..

MRM29E 20 ..
 MRM29E 25 ..
 MRM29E 35 ..
 MRM29E 45 ..

MRM39E 20 ..
 MRM39E 25 ..
 MRM39E 35 ..

MRM108E 20 ..
 MRM108E 25 ..

MRQA29 20 ..
 MRQA29 25 ..
 MRQA29 35 ..
 MRQA29 45 ..
 MRQB29 20 ..
 MRQB29 25 ..
 MRQB29 35 ..
 MRQB29 45 ..

MRQA39 20 ..
 MRQA39 25 ..
 MRQA39 35 ..
 MRQB39 20 ..
 MRQB39 25 ..
 MRQB39 35 ..

MRQA108 20 ..
 MRQA108 25 ..
 MRQB108 20 ..
 MRQB108 25 ..

MRWA29 20 ..
 MRWA29 25 ..
 MRWA29 35 ..
 MRWA29 45 ..

MRWA39 20 ..
 MRWA39 25 ..
 MRWA39 35 ..

MRWA108 20 ..
 MRWA108 25 ..

MRWB29 20 ..
 MRWB29 25 ..
 MRWB29 35 ..
 MRWB29 45 ..

MRWB39 20 ..
 MRWB39 25 ..
 MRWB39 35 ..

MRWB108 20 ..
 MRWB108 25 ..

EXAMPLE OF CODE FOR FIXING M8

ESEMPIO DI CODICE PER VITI M8

MR - 129 - MAG ROUND

FILETTATO

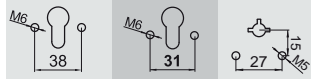


Ø50



FINITURE FINISHES

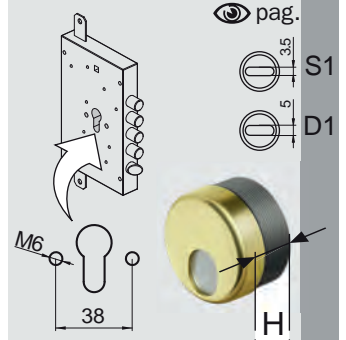
X ATRA X OMEGA



20	MR12920..	MR13920..	MR29820..
25	MR12925..	MR13925..	MR29825..
35	MR12935..	MR13935..	
45	MR12945..		

FINITURE FINISHES

- C Cromo lucido / Bright Chrome
- T Cromo satinato / Satin Chrome
- B Bronzo / Bronze
- 2 PVD Ottone / PVD Brass
- TT Ottone satinato / Satin Brass
- BS Bronzo satinato / Satin Bronze
- IT Inox satinato / Satin S.Steel



MR129	20	..	P
MR129	25	..	P
MR129	35	..	P
MR129	45	..	P



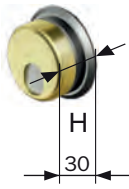
MRW129	20	..	P
MRW129	25	..	P
MRW129	35	..	P
MRW129	45	..	P



MRK129	20	..	P
MRK129	25	..	P
MRK129	35	..	P
MRK129	45	..	P

MRZ - 29 - MAG ROUND

Ø50



FINITURE FINISHES

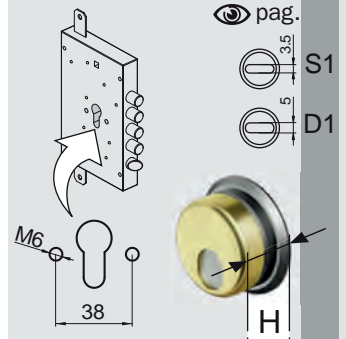
X ATRA



MRZ2930..	MRZ3930..
-----------	-----------

FINITURE FINISHES

- C Cromo lucido / Bright Chrome
- T Cromo satinato / Satin Chrome
- B Bronzo / Bronze
- 2 PVD Ottone / PVD Brass
- TT Ottone satinato / Satin Brass
- BS Bronzo satinato / Satin Bronze
- IT Inox satinato / Satin S.Steel



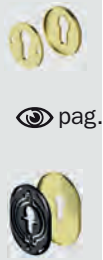
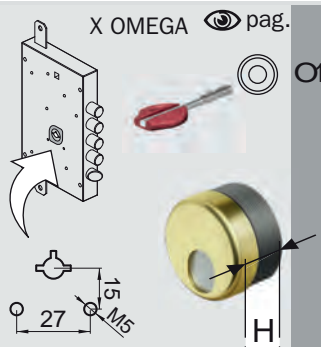
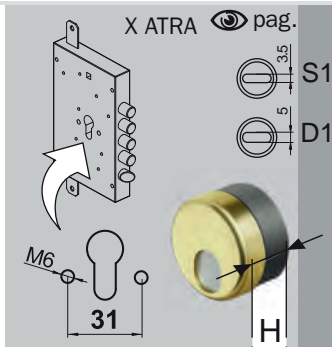
MRZ29	30	..	P
-------	----	----	---



MRZW29	30	..	P
--------	----	----	---



MRZK29	30	..	P
--------	----	----	---



FINITURE FINISHES

- C Cromo lucido
Bright Chrome
- T Cromo satinato
Satin Chrome
- B Bronzo
Bronze
- 2 PVD Ottone
PVD Brass
- TT Ottone satinato
Satin Brass
- BS Bronzo satinato
Satin Bronze
- IT Inox satinato
Satin S.Steel

MR139 20
MR139 25
MR139 35

.. P
.. P
.. P

MR129 8 20..
ESEMPIO CODICE

ESEMPIO DI CODICE PER VITI M8
EXAMPLE OF CODE FOR FIXING M8

MR108 20 O1 P
MR108 25 O1 P

..
..
..
..

..
..
..
..

MRW139 20
MRW139 25
MRW139 35

.. P
.. P
.. P

MRW108 20 O1 P
MRW108 25 O1 P

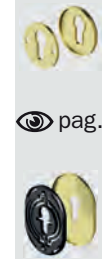
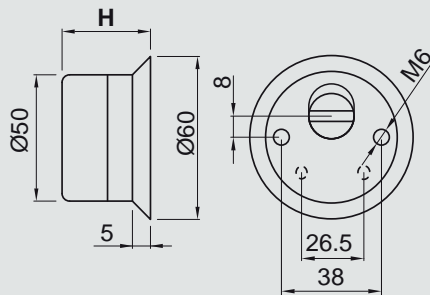
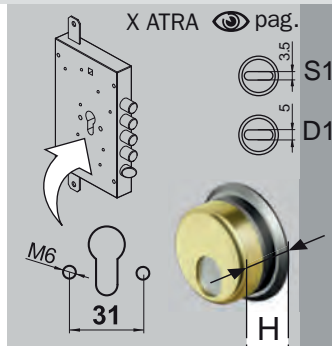


- C Cromo lucido
Bright Chrome
- T Cromo satinato
Satin Chrome
- B Bronzo
Bronze
- 2 PVD Ottone
PVD Brass
- IT Inox satinato
Satin S.Steel

MRK139 20
MRK139 25
MRK139 35

.. P
.. P
.. P

MRK108 20 O1 P
MRK108 25 O1 P



FINITURE FINISHES

- C Cromo lucido
Bright Chrome
- T Cromo satinato
Satin Chrome
- B Bronzo
Bronze
- 2 PVD Ottone
PVD Brass
- TT Ottone satinato
Satin Brass
- BS Bronzo satinato
Satin Bronze
- IT Inox satinato
Satin S.Steel

MRZ39 30

.. P

MRZ29 8 20
ESEMPIO CODICE

ESEMPIO DI CODICE PER VITI M8
EXAMPLE OF CODE FOR FIXING M8

MRZW39 30

.. P



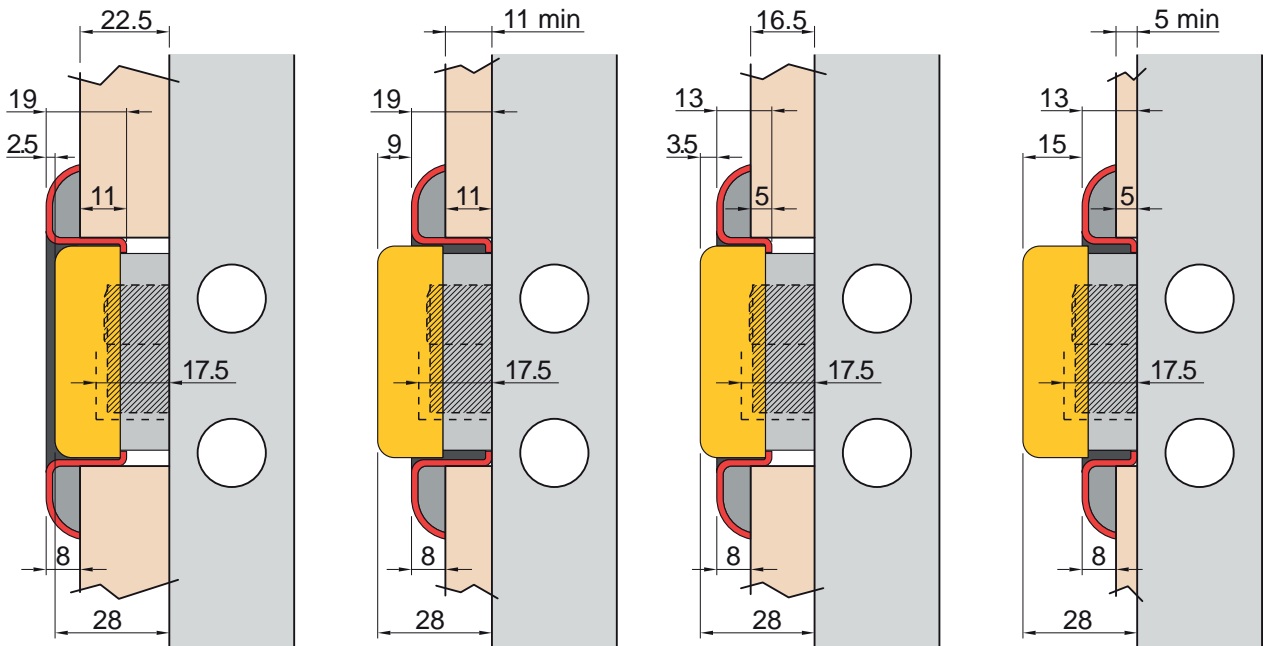
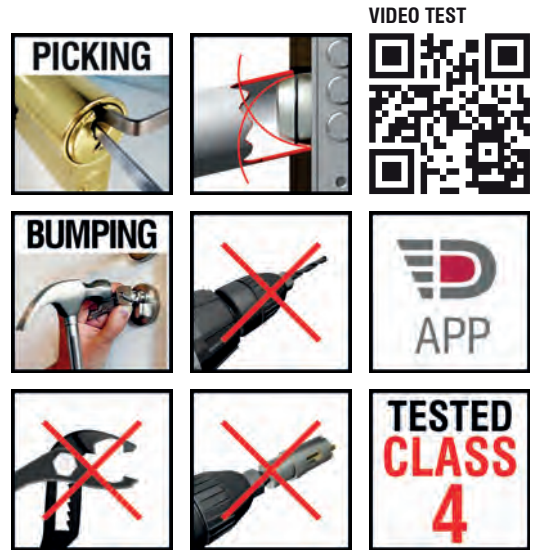
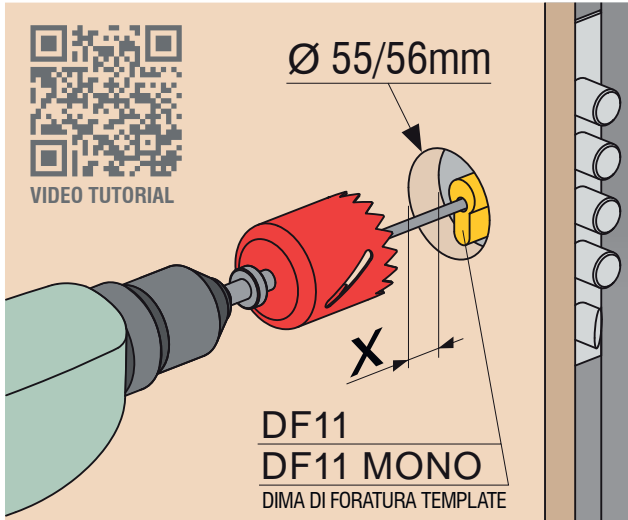
- C Cromo lucido
Bright Chrome
- T Cromo satinato
Satin Chrome
- B Bronzo
Bronze
- 2 PVD Ottone
PVD Brass
- IT Inox satinato
Satin S.Steel

MRZK39 30

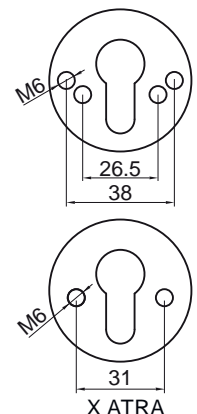
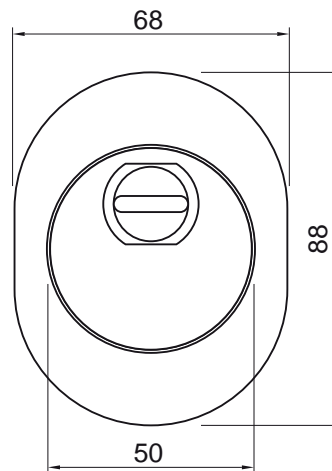
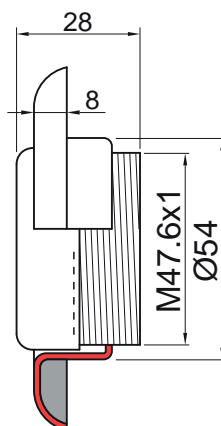
.. P

MRM27

PAT. PEND.



KMOP96
CHIAVE MAGNETICA
MAGNETIC KEY

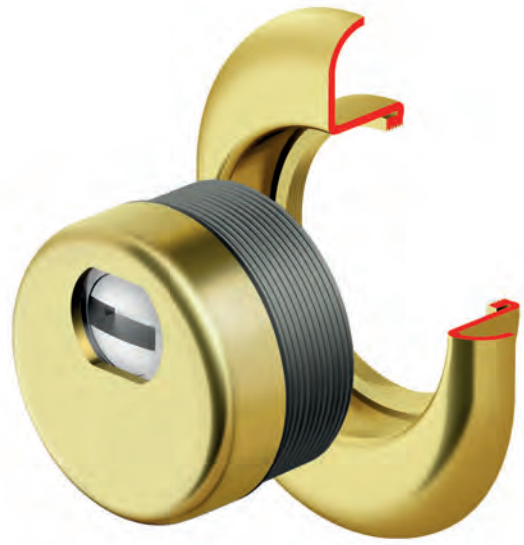


MRM27

PAT. PEND.



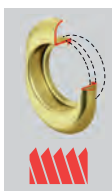
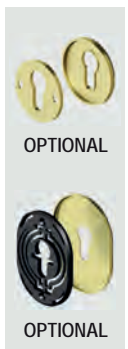
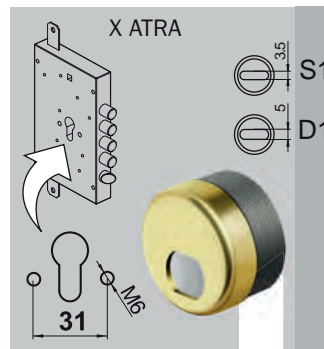
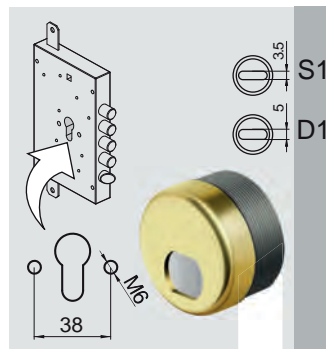
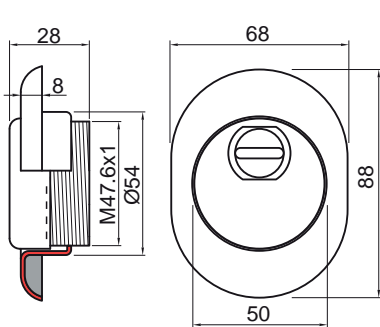
MAGNETIC KEY



CONTROLLO ACCESSI
Access control

	MAGNETIC KEY CUSTOM PROFILE
	X OMEGA <i>VEDI CATALOGO</i> <i>See catalog</i>
	X MOTTURA 3D <i>VEDI CATALOGO</i> <i>See catalog</i>

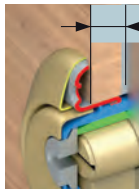
VIDEO:



5 min

MRM27B25 ..

MRM37B 25 ..



11 min

MRM2725 ..

MRM37 25 ..

3G3MB 8 25
ESEMPIO CODICE

ESEMPIO DI CODICE PER VITI M8
EXAMPLE OF CODE FOR FIXING M8

- OPTIONAL
- OPTIONAL
- Cromo lucido
- Bright Chrome
- Cromo satinato
- Satin Chrome
- Bronzo
- Bronze
- PVD Ottone
- PVD Brass

FINITURE

ESEMPIO CODICE / EXAMPLE CODE:

XXXXX

H

D1/S1

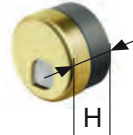
C T 2

MAG ROUND

FILETTATO



Ø50



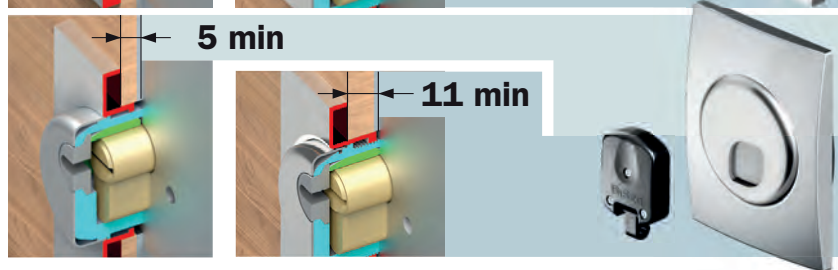
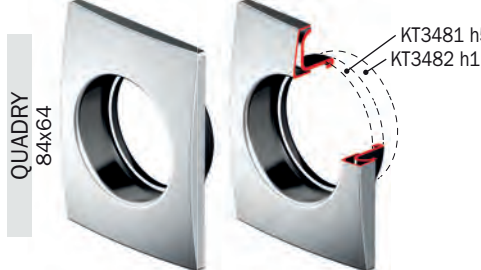
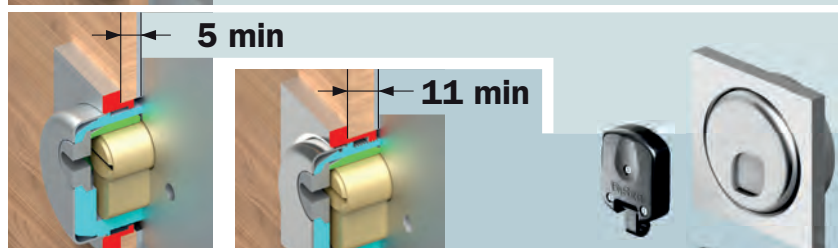
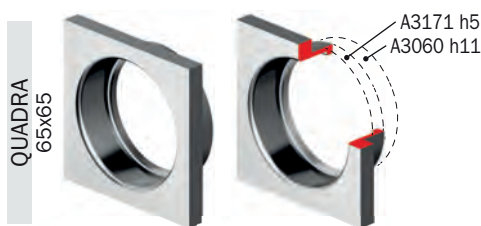
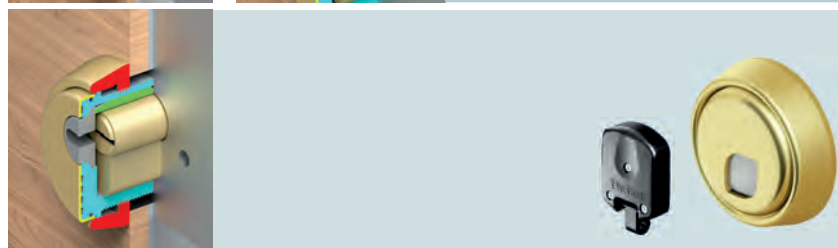
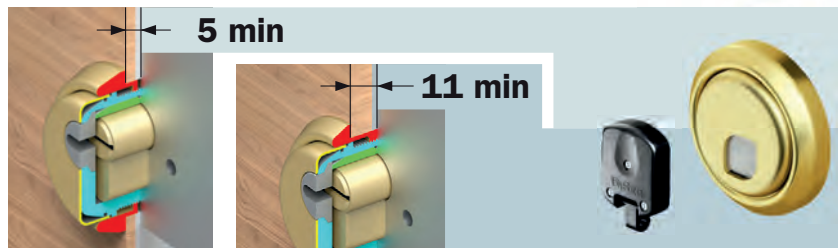
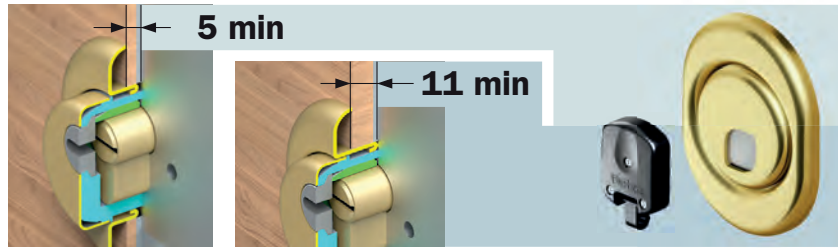
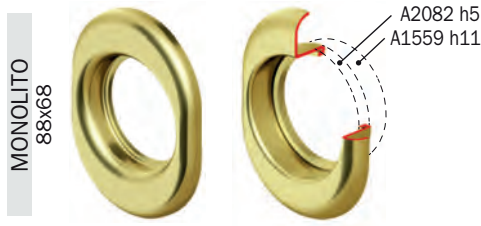
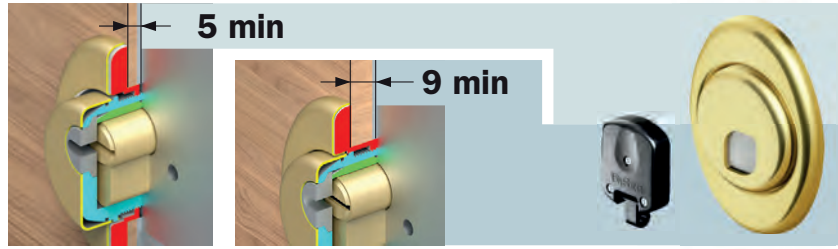
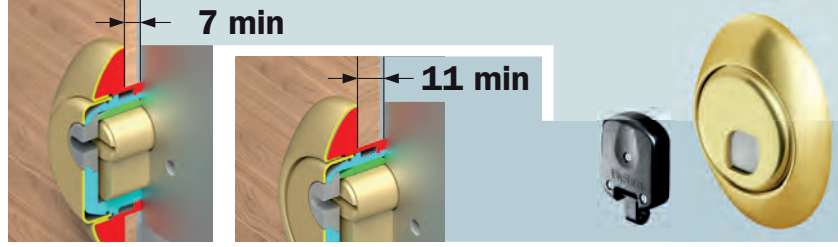
X ATRA X OMEGA

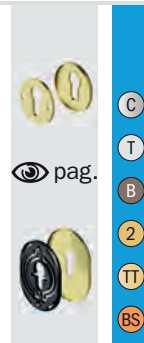
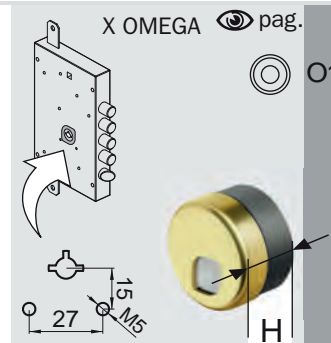
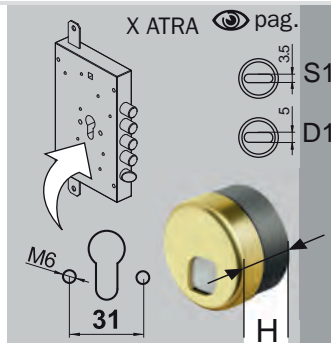
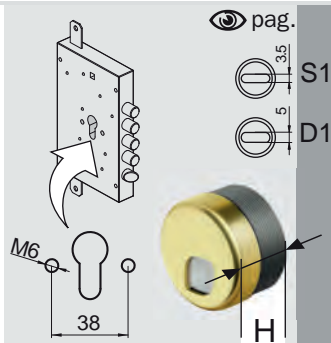
H			
20	MR12720..	MR13720..	MR27820..
25	MR12725..	MR13725..	MR27825..
35	MR12735..	MR13735..	
45	MR12745..		

FINITURE FINISHES

FINITURE FINISHES

- C Cromo lucido
- T Bright Chrome
- BS Cromo satinato
- T Satin Chrome
- B Bronzo
- B Bronze
- 2 PVD Ottono
- 2 PVD Brass
- TT Ottono satinato
- TT Satin Brass
- BS Bronzo satinato
- BS Satin Bronze
- II Inox satinato
- II Satin S.Steel





MRSTB27 20 ..
 MRSTB27 25 ..
 MRSTB27 35 ..
 MRSTB27 45 ..
 MRSTA27 20 ..
 MRSTA27 25 ..
 MRSTA27 35 ..
 MRSTA27 45 ..

MRSTB37 20 ..
 MRSTB37 25 ..
 MRSTB37 35 ..

MRSTB27 8 20..
 ESEMPIO CODICE

MRSTB107 20 ..
 MRSTB107 25 ..

MRTB27 20 ..
 MRTB27 25 ..
 MRTB27 35 ..
 MRTB27 45 ..
 MRTA27 20 ..
 MRTA27 25 ..
 MRTA27 35 ..
 MRTA27 45 ..

MRTB37 20 ..
 MRTB37 25 ..
 MRTB37 35 ..

MRTB107 20 ..
 MRTB107 25 ..

MRM27B 20 ..
 MRM27B 25 ..
 MRM27B 35 ..
 MRM27B 45 ..
 MRM27 20 ..
 MRM27 25 ..
 MRM27 35 ..
 MRM27 45 ..

MRM37B 20 ..
 MRM37B 25 ..
 MRM37B 35 ..

MRM107B 20 ..
 MRM107B 25 ..

MRM27MB 20 ..
 MRM27MB 25 ..
 MRM27MB 35 ..
 MRM27MB 45 ..
 MRM27MA 20 ..
 MRM27MA 25 ..
 MRM27MA 35 ..
 MRM27MA 45 ..

MRM37MB 20 ..
 MRM37MB 25 ..
 MRM37MB 35 ..

MRM107MB 20 ..
 MRM107MB 25 ..

MRME27 20 ..
 MRME27 25 ..
 MRME27 35 ..
 MRME27 45 ..

MRME37 20 ..
 MRME37 25 ..
 MRME37 35 ..

MRE107 20 ..
 MRE107 25 ..

MRQA27 20 ..
 MRQA27 25 ..
 MRQA27 35 ..
 MRQA27 45 ..

MRQA37 20 ..
 MRQA37 25 ..
 MRQA37 35 ..

MRQA107 20 ..
 MRQA107 25 ..

MRQB27 20 ..
 MRQB27 25 ..
 MRQB27 35 ..
 MRQB27 45 ..

MRQB37 20 ..
 MRQB37 25 ..
 MRQB37 35 ..

MRQB107 20 ..
 MRQB107 25 ..

MRWA27 20 ..
 MRWA27 25 ..
 MRWA27 35 ..
 MRWA27 45 ..

MRWA37 20 ..
 MRWA37 25 ..
 MRWA37 35 ..

MRWA107 20 ..
 MRWA107 25 ..

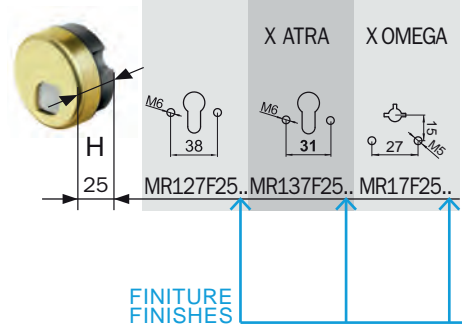
MRWB27 20 ..
 MRWB27 25 ..
 MRWB27 35 ..
 MRWB27 45 ..

MRWB37 20 ..
 MRWB37 25 ..
 MRWB37 35 ..

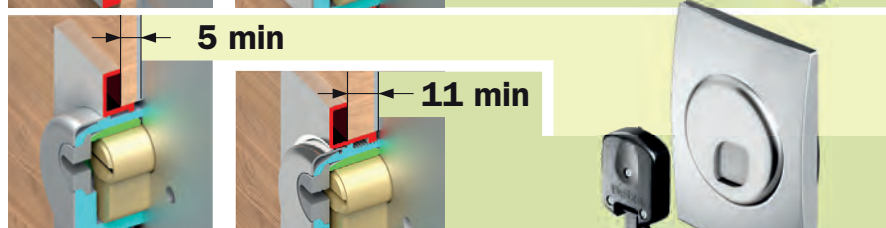
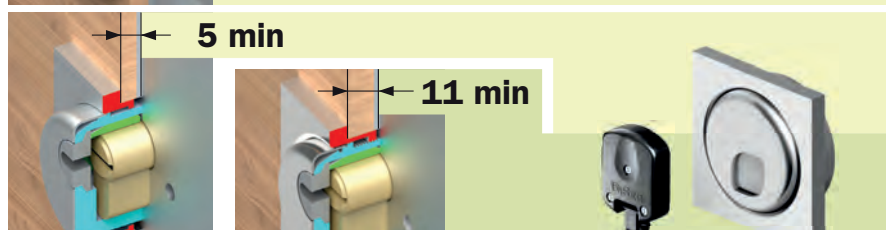
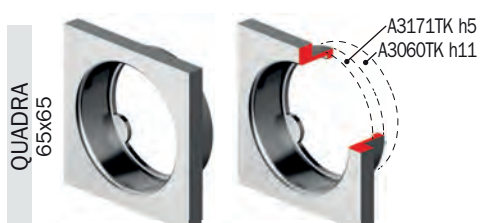
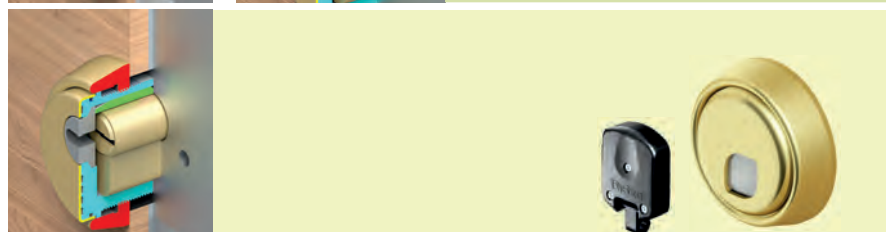
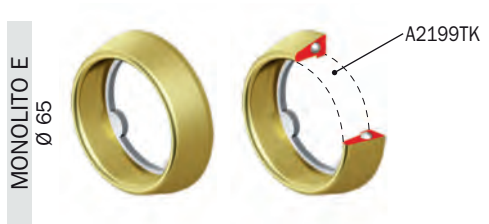
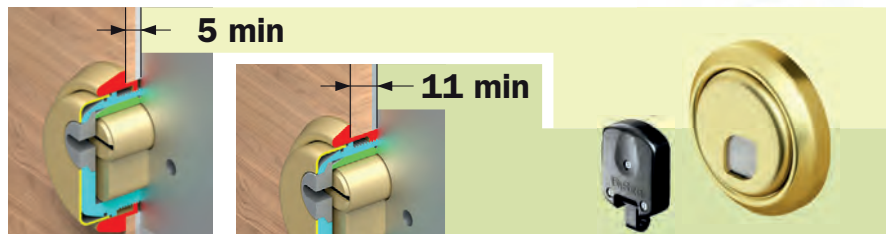
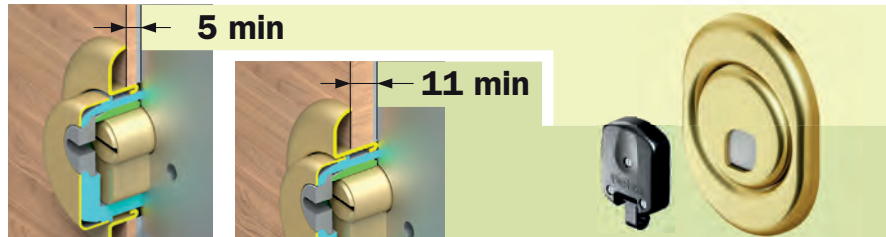
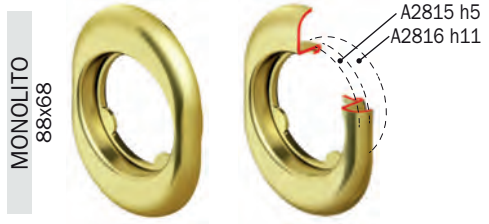
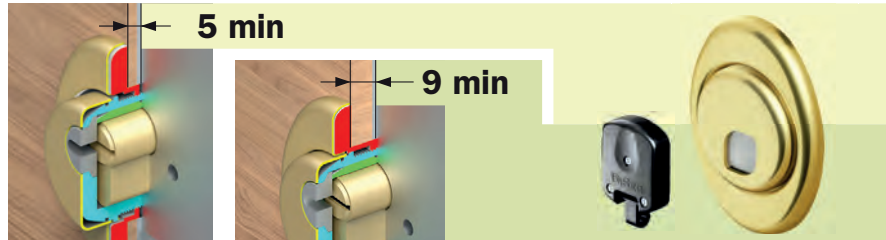
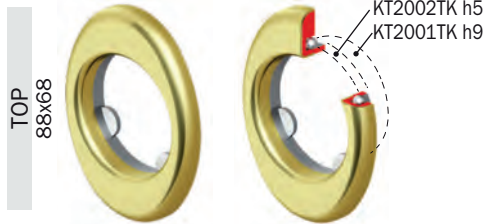
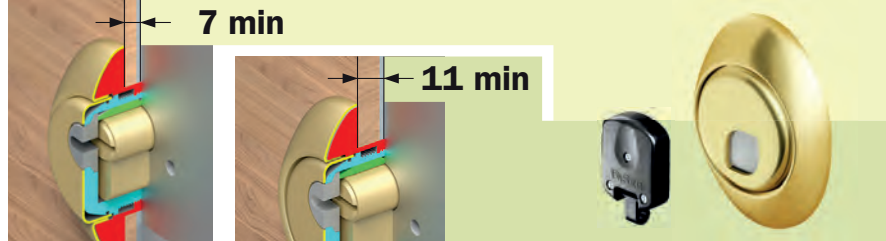
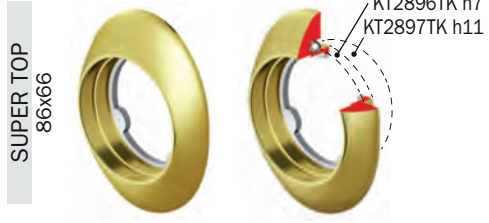
MRWB107 20 ..
 MRWB107 25 ..

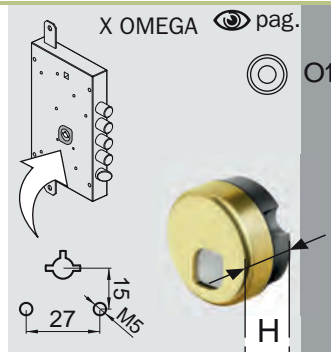
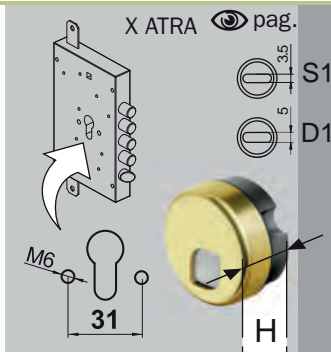
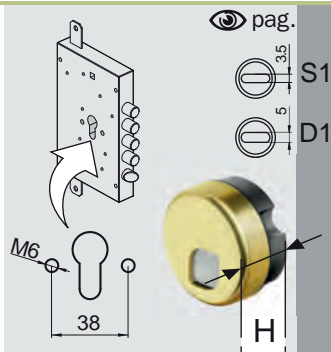
EXAMPLE OF CODE FOR FIXING M8

ESEMPIO DI CODICE PER VITI M8



FINITURE FINISHES	
C	Cromo lucido
T	Bright Chrome
B	Cromo satinato
2	Satin Chrome
TT	Bronzo
BS	Bronze
II	PVD Ottone
	PVD Brass
	Ottone satinato
	Satin Brass
	Bronzo satinato
	Satin Bronze
	Inox satinato
	Satin S.Steel





MRSTAF27	25	..	MRSTAF37	25	..	MRSTBF17	25
MRSTAF17	25	..	MRSTAF17	25	..	MRSTAF17	25
MRTAF27	25	..	MRTAF37	25	..	MRTBF17	25
MRTAF17	25	..	MRTAF17	25	..	MRTAF17	25
MRM27F	25	..	MRM37F	25	..	MRM17BF	25
MRM17AF	25	..	MRM17AF	25	..	MRM17AF	25
MRM27MAF	25	..	MRM37MAF	25	..	MRM17MBF	25
MRM17MAF	25	..	MRM17MAF	25	..	MRM17MAF	25
MRME27F	25	..	MRME37F	25	..	MRE17F	25
MRQBF27	25	..	MRQBF37	25	..	MRQAF17	25
MRQBF17	25	..	MRQBF17	25	..	MRQBF17	25
MRWBF27	25	..	MRWBF37	25	..	MRWAF17	25
MRWBF17	25	..	MRWBF17	25	..	MRWBF17	25

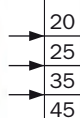
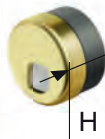
MAG ROUND

MR127

FILETTATO



Ø50



FINITURE FINISHES

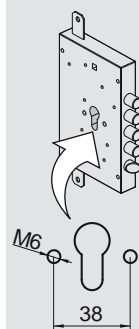
X ATRA X OMEGA



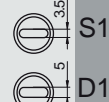
20	MR12720..	MR13720..	MR27820..
25	MR12725..	MR13725..	MR27825..
35	MR12735..	MR13735..	
45	MR12745..		

FINITURE FINISHES

- C Cromo lucido Bright Chrome
- T Cromo satinato Satin Chrome
- B Bronzo Bronze
- 2 PVD Ottone PVD Brass
- TT Ottone satinato Satin Brass
- BS Bronzo satinato Satin Bronze
- IT Inox satinato Satin S.Steel



pag.



		MR127 20	..	P
		MR127 25	..	P
		MR127 35	..	P
		MR127 45	..	P
		MRW127 20	..	P
		MRW127 25	..	P
		MRW127 35	..	P
		MRW127 45	..	P
		MRK127 20	..	P
		MRK127 25	..	P
		MRK127 35	..	P
		MRK127 45	..	P

MRZ - 27 - MAG ROUND

Ø50



X ATRA

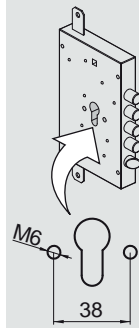


30	MRZ2730..	MRZ3730..
----	-----------	-----------

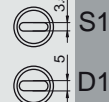
FINITURE FINISHES

FINITURE FINISHES



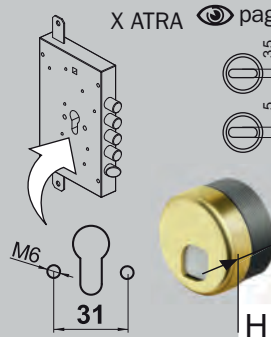
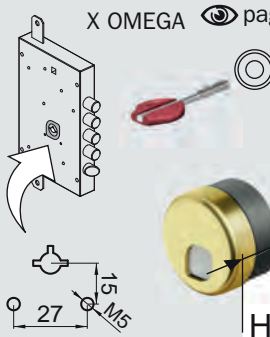
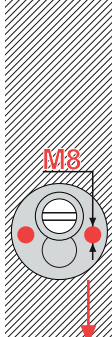

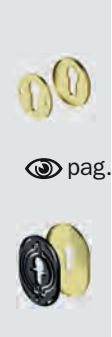
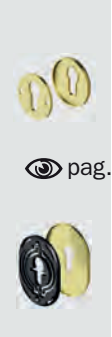
- C Cromo lucido Bright Chrome
- T Cromo satinato Satin Chrome
- B Bronzo Bronze
- 2 PVD Ottone PVD Brass
- TT Ottone satinato Satin Brass
- BS Bronzo satinato Satin Bronze
- IT Inox satinato Satin S.Steel


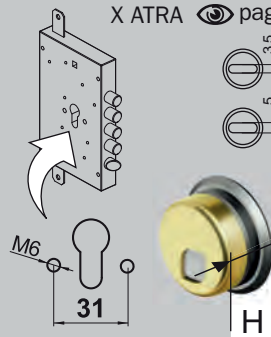
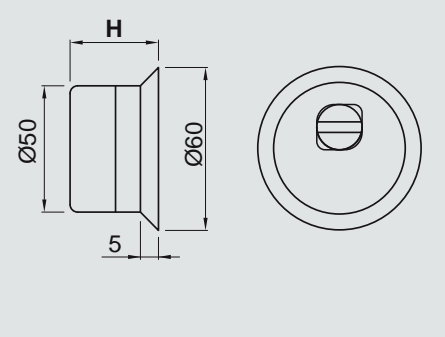
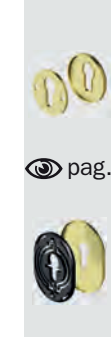
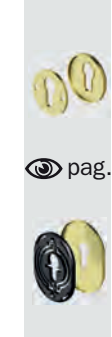


pag.



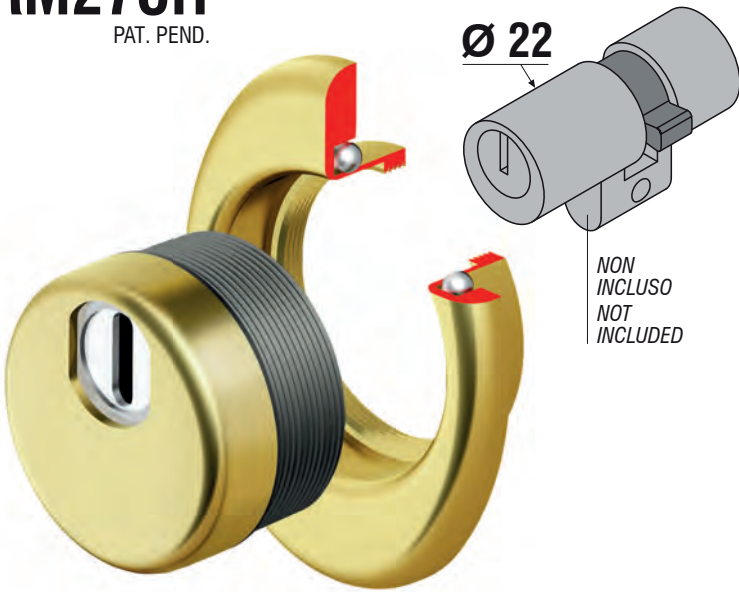
		MRZ27 30	..	P
		MRZW27 30	..	P
		MRZK27 30	..	P

X ATRA  pag.		X OMEGA  pag.		FINITURE FINISHES	
					
MR137 20	MR107 20	MR127 8 20..	MR107 20
MR137 25	MR107 25	ESEMPIO DI CODICE PER VITI M8	MR107 25
MR137 35		EXAMPLE OF CODE FOR FIXING M8	
MRW137 20	MRW107 20		MRW107 20
MRW137 25	MRW107 25		MRW107 25
MRW137 35			
MRK137 20	MRK107 20		MRK107 20
MRK137 25	MRK107 25		MRK107 25
MRK137 35			

X ATRA  pag.		FINITURE FINISHES	
			
MRZ37 30	MRZ27 8 20
MRZW37 30	ESEMPIO DI CODICE PER VITI M8
MRZK37 30	EXAMPLE OF CODE FOR FIXING M8

MRM27CH

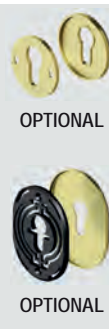
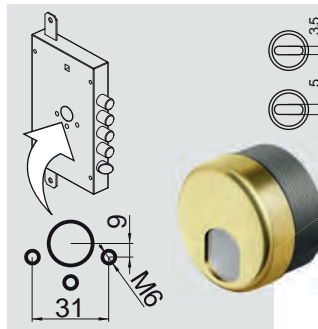
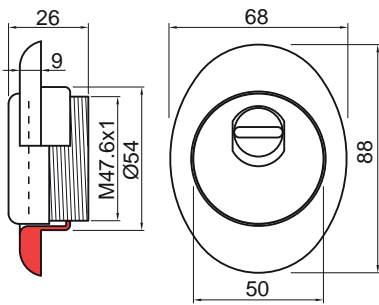
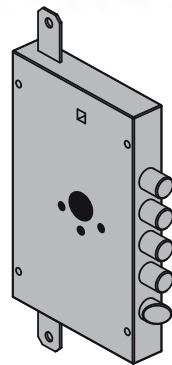
PAT. PEND.



Ø 22

NON
INCLUSO
NOT
INCLUDED

**KMOP66/5
MAGNETIC
KEY**



FINITURE

C

T

B

2

Cromo lucido
Bright Chrome
Cromo satinato
Satin Chrome
Bronzo
Bronze
PVD Ottone
PVD Brass

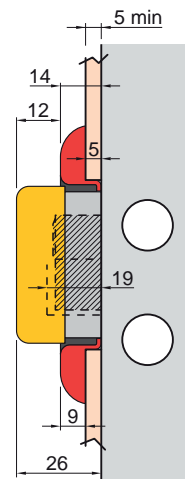
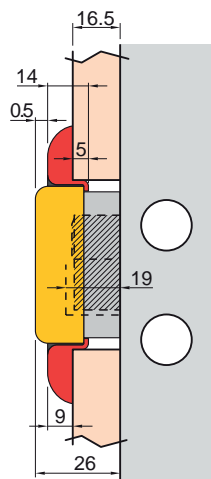
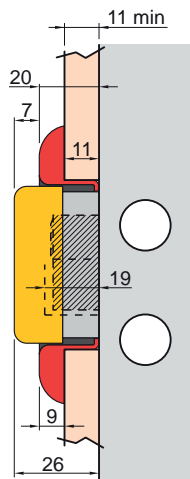
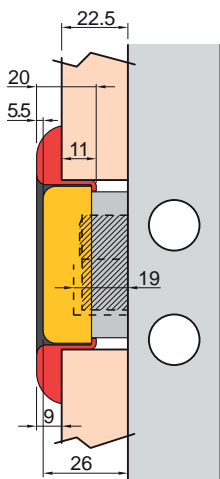


5 min

MRM27CHB25 ..

11 min

MRM27CH25 ..



VIDEO TEST



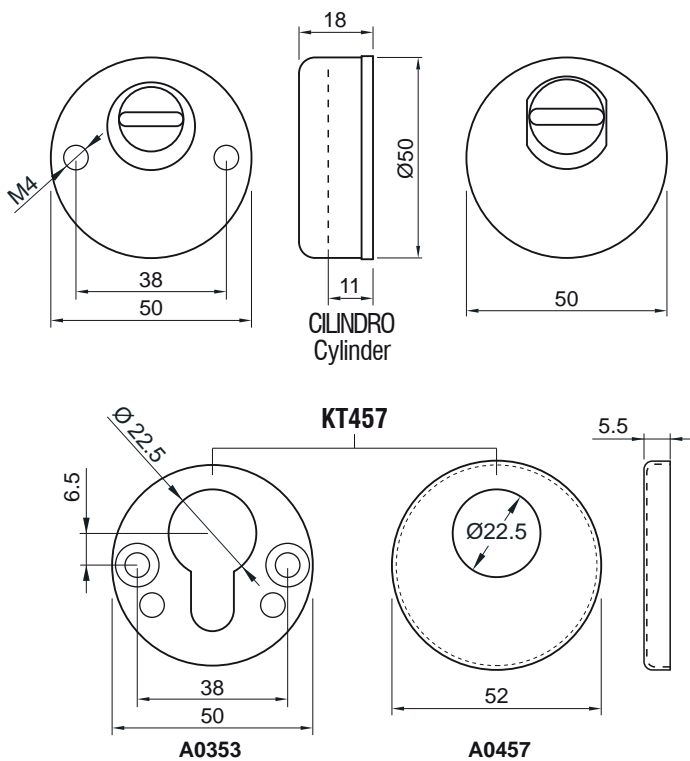
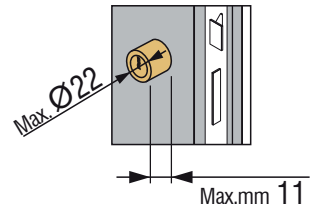
MRM27CHX

PAT. PEND.

- Ⓒ Cromo lucido
Bright Chrome
- Ⓓ Cromo satinato
Satin Chrome
- Ⓔ PVD Ottone
PVD Brass



VIDEO TEST



OPTIONAL



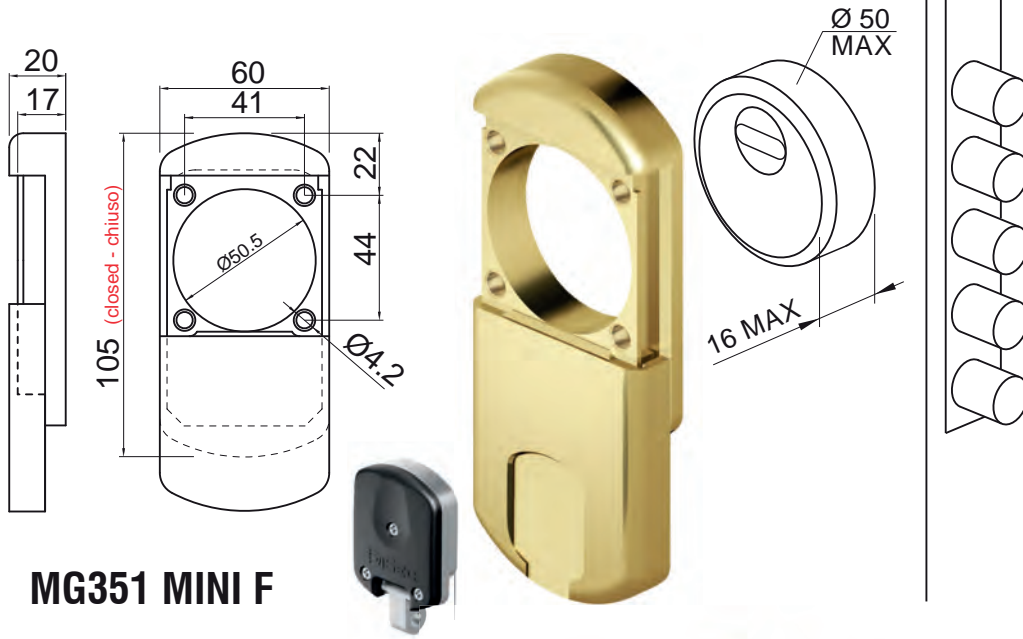
KT056 (Ø50)
65x85



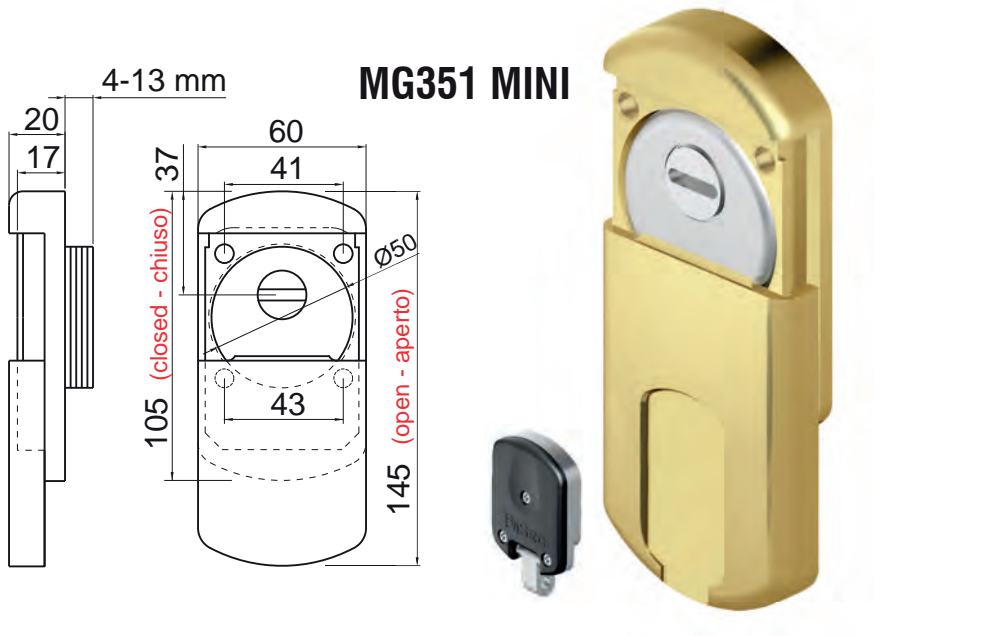
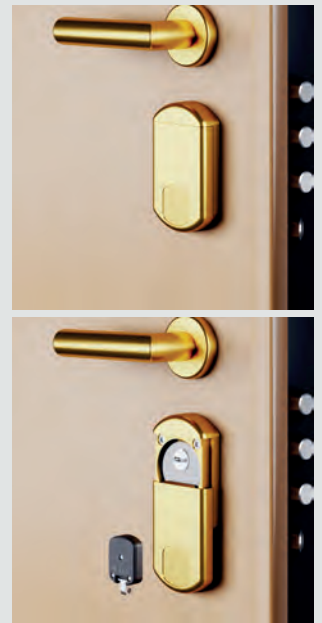
KT3485 (Ø50)
64x84



KT3794 (Ø50)
65x65



MG351 MINI F



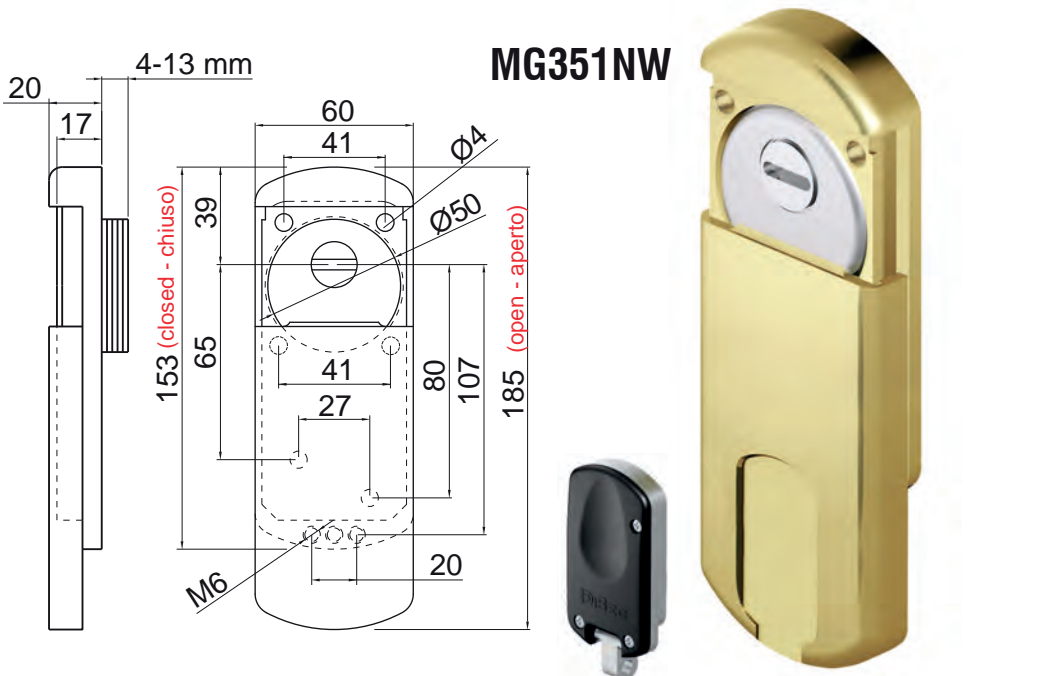
MG351 MINI

VIDEO:



CONTROLLO ACCESSI
Access control

VIDEO:



MG351NW

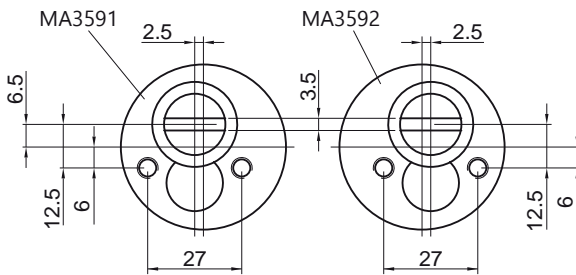
FINITURE
FINISHES

- Cromo lucido
Bright Chrome
- Cromo satinato
Satin Chrome
- PVD Ottone
PVD Brass

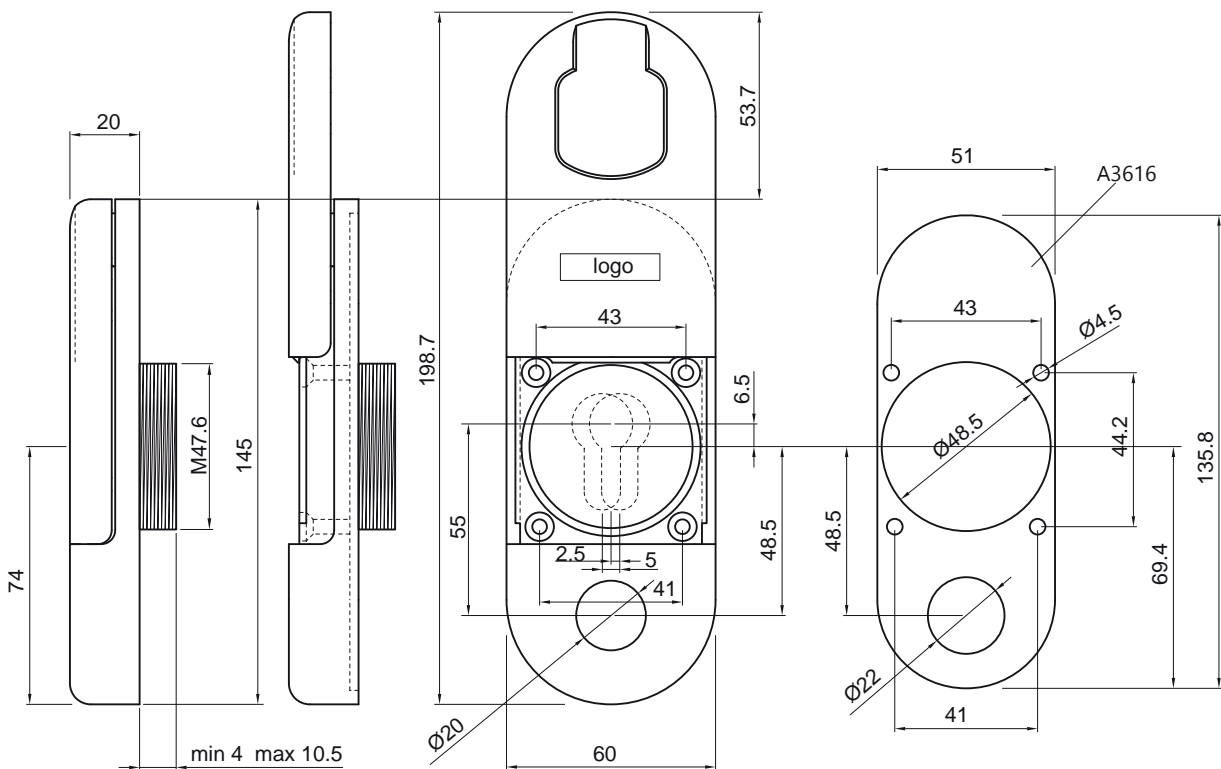


MG349 DR
x Dierre

- FINITURE FINISHES**
- ① Cromo satinato
Satin Chrome
 - ② Bronzo
Bronze
 - ③ PVD Ottone
PVD Brass

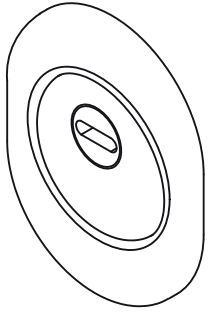


CONTROLLO ACCESSI
Access control

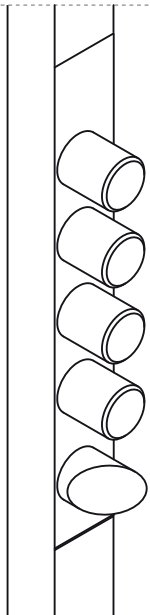
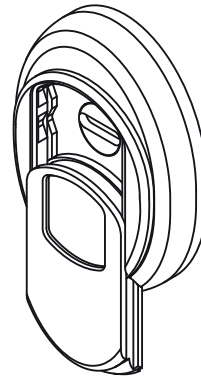
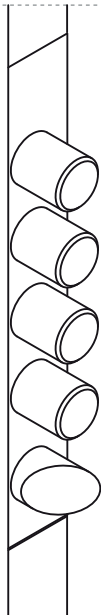
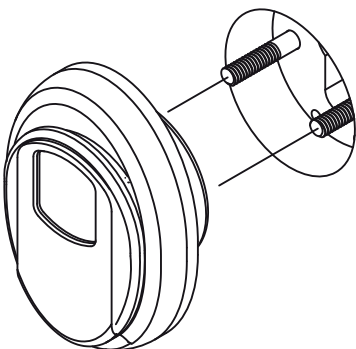
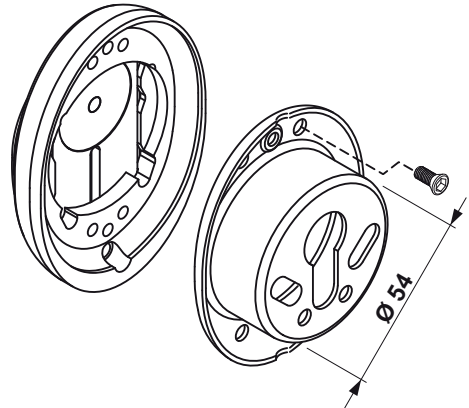
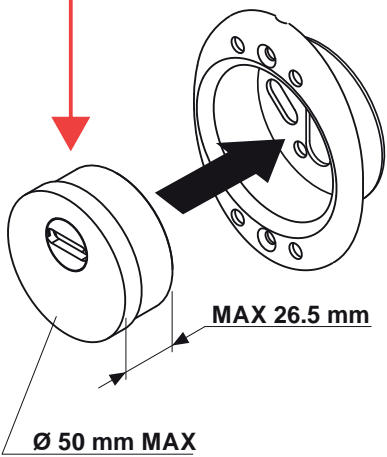
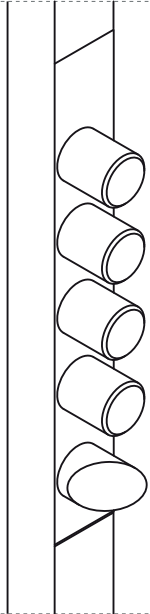
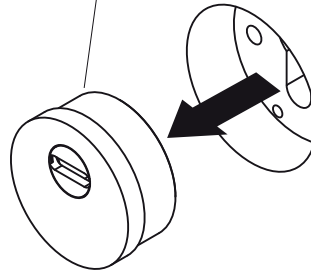


**ESEMPIO ANCORAGGIO
FIXING / MOUNTING EXAMPLE**

VIDEO:



Per tutti i tipi
in commercio
For all the protector's
types on the market





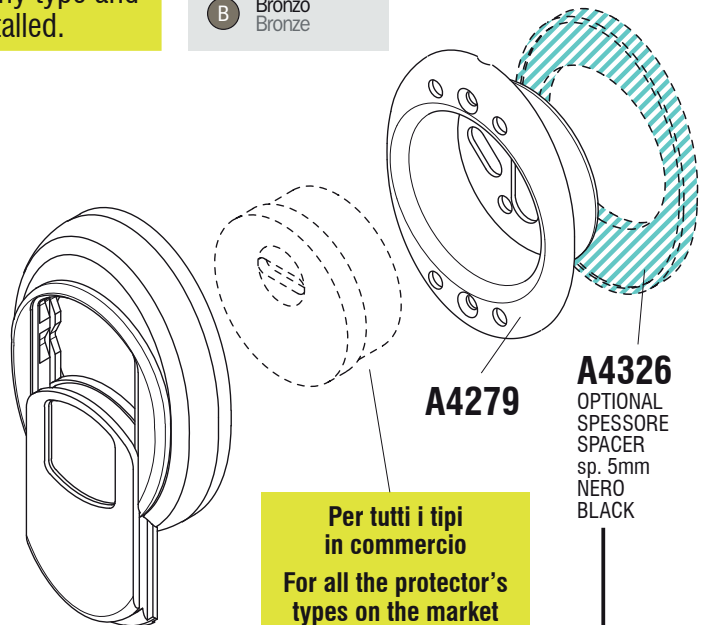
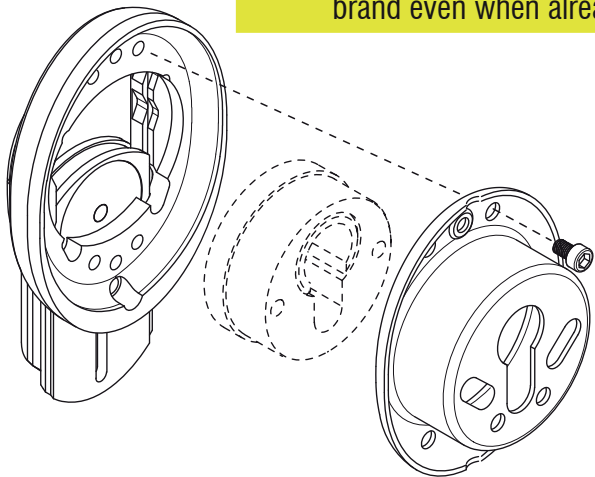
MG3551 EXTEND

Può essere montato come up-grade di sicurezza su tutte le protezioni cilindro di qualsiasi marca già installate sulle porte blindate.

Protection that can be fitted as a security upgrade on cylinder protectors of any type and brand even when already installed.

FINITURE FINISHES

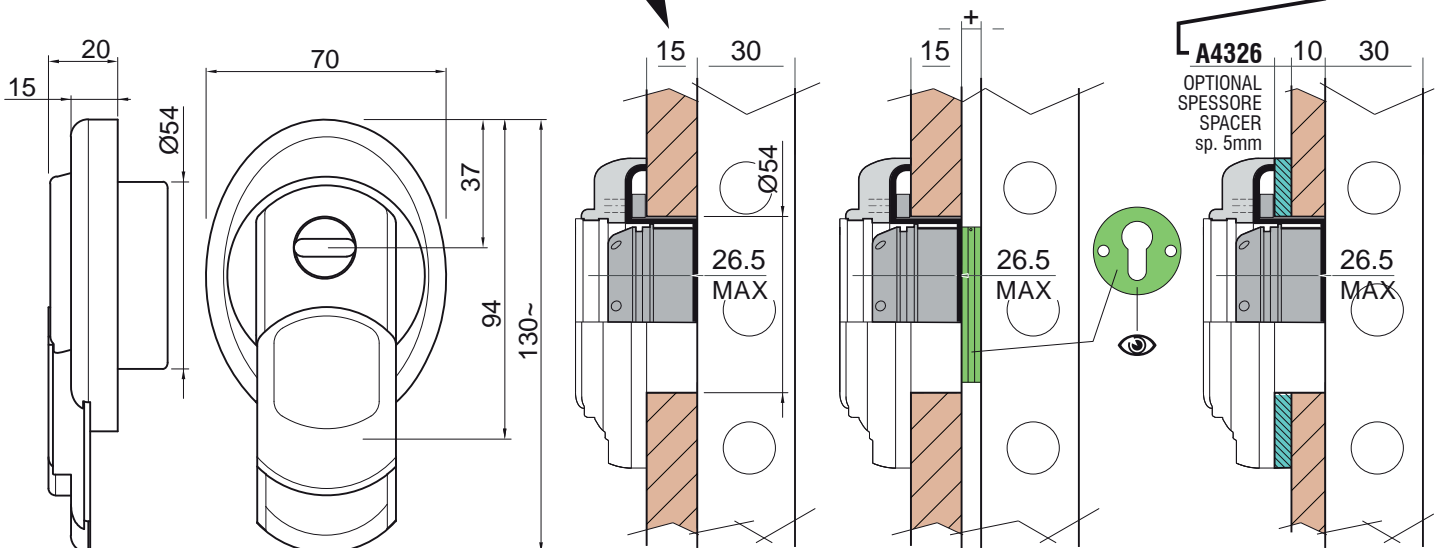
- (C) Cromo lucido
Bright Chrome
- (T) Cromo satinato
Satin Chrome
- (2) PVD Ottone
PVD Brass
- (B) Bronzo
Bronze

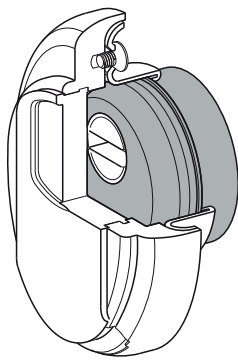
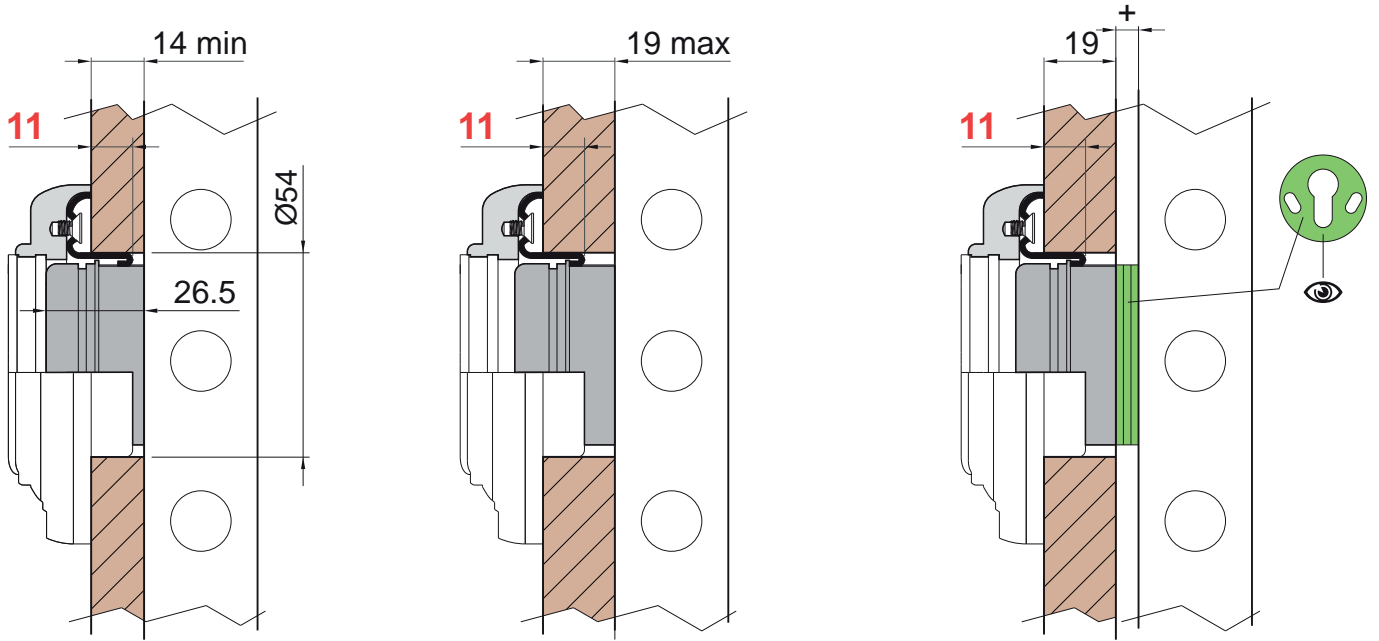


ATTENZIONE / ATTENTION

Quota minima tra bordo pannello e serratura
Minimum space needed between panel edge and lock case

Per tutti i tipi in commercio
For all the protector's types on the market

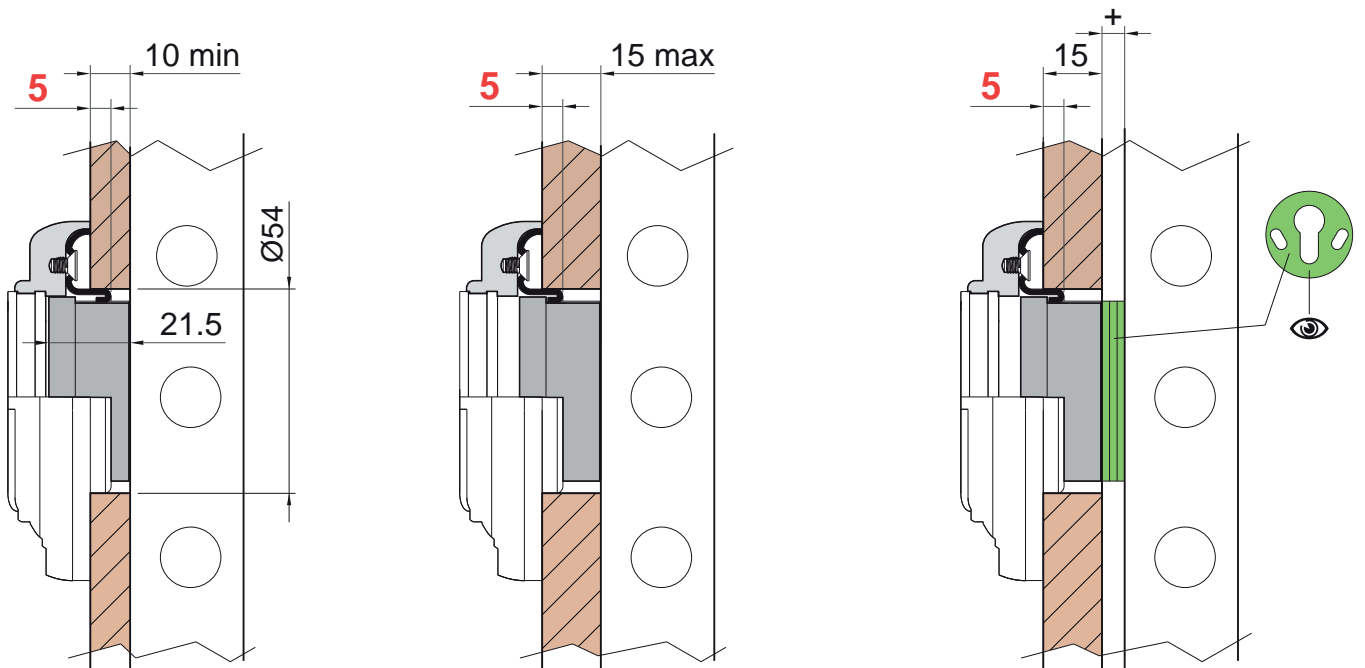
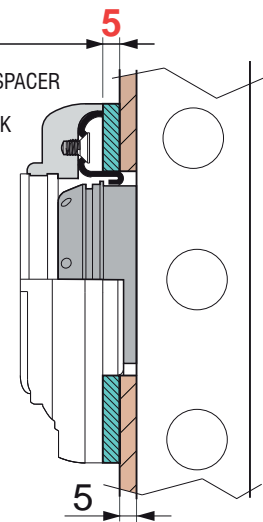
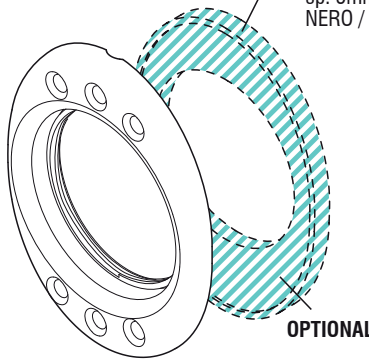


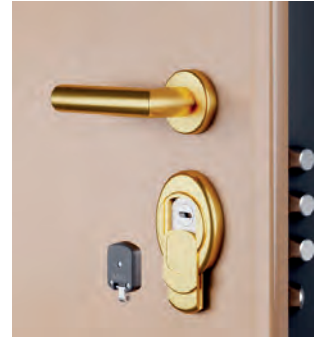
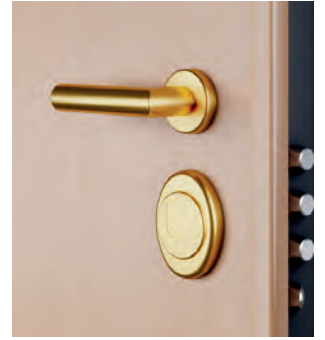


X MONOLITO
X KRIPTON
X DIAMOND

A CORREDO
PROVIDED
MA4088

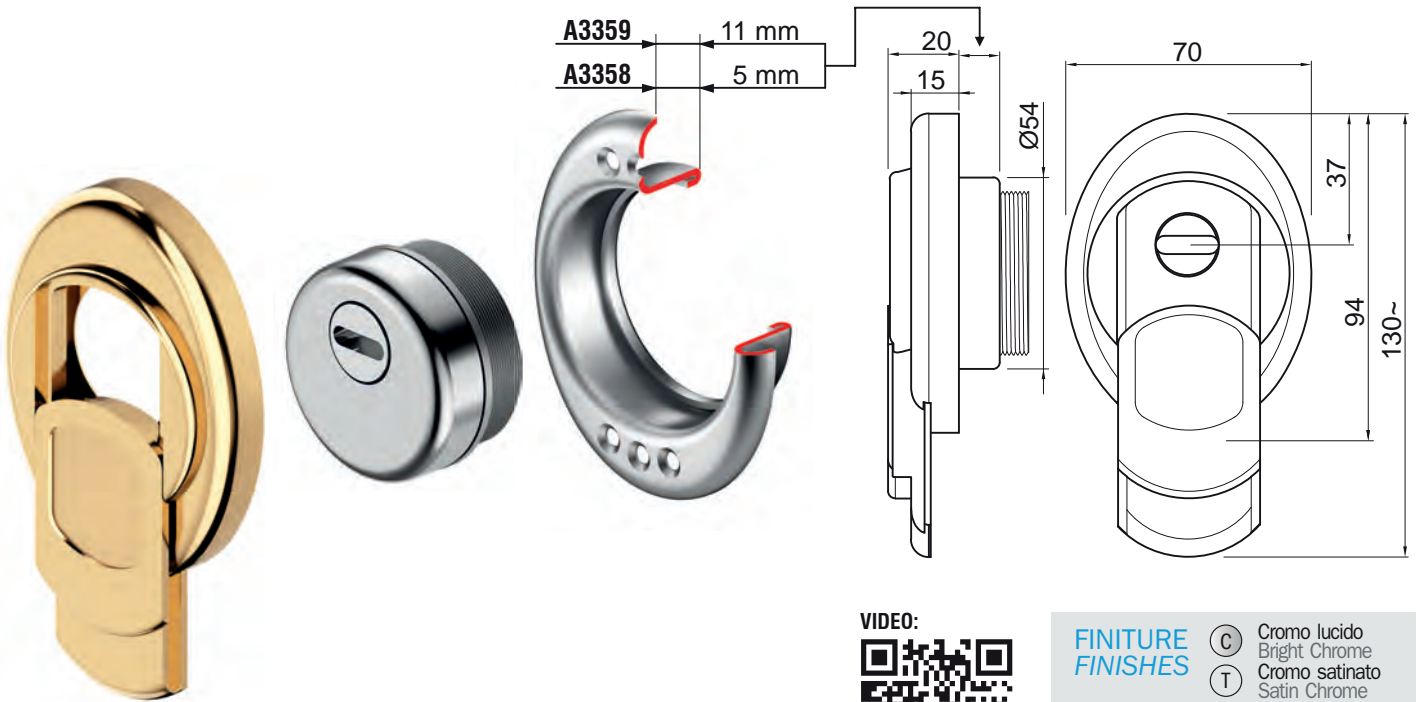
X ATRA
MA4095





MG3551

- MG3551ATR (x Atra)
- MG3551OMG (x Omega)
- MG35513M (x Mottura 3D Key)



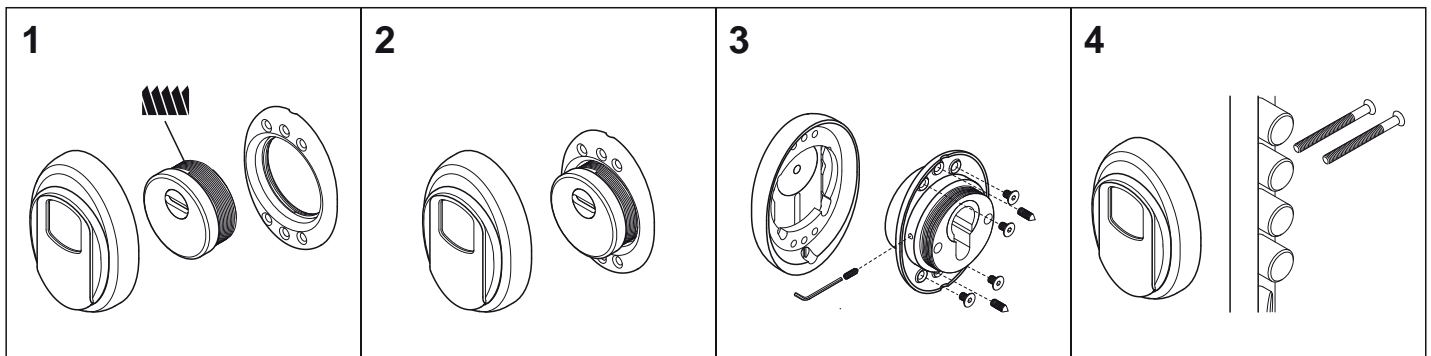
VIDEO:



FINITURE FINISHES

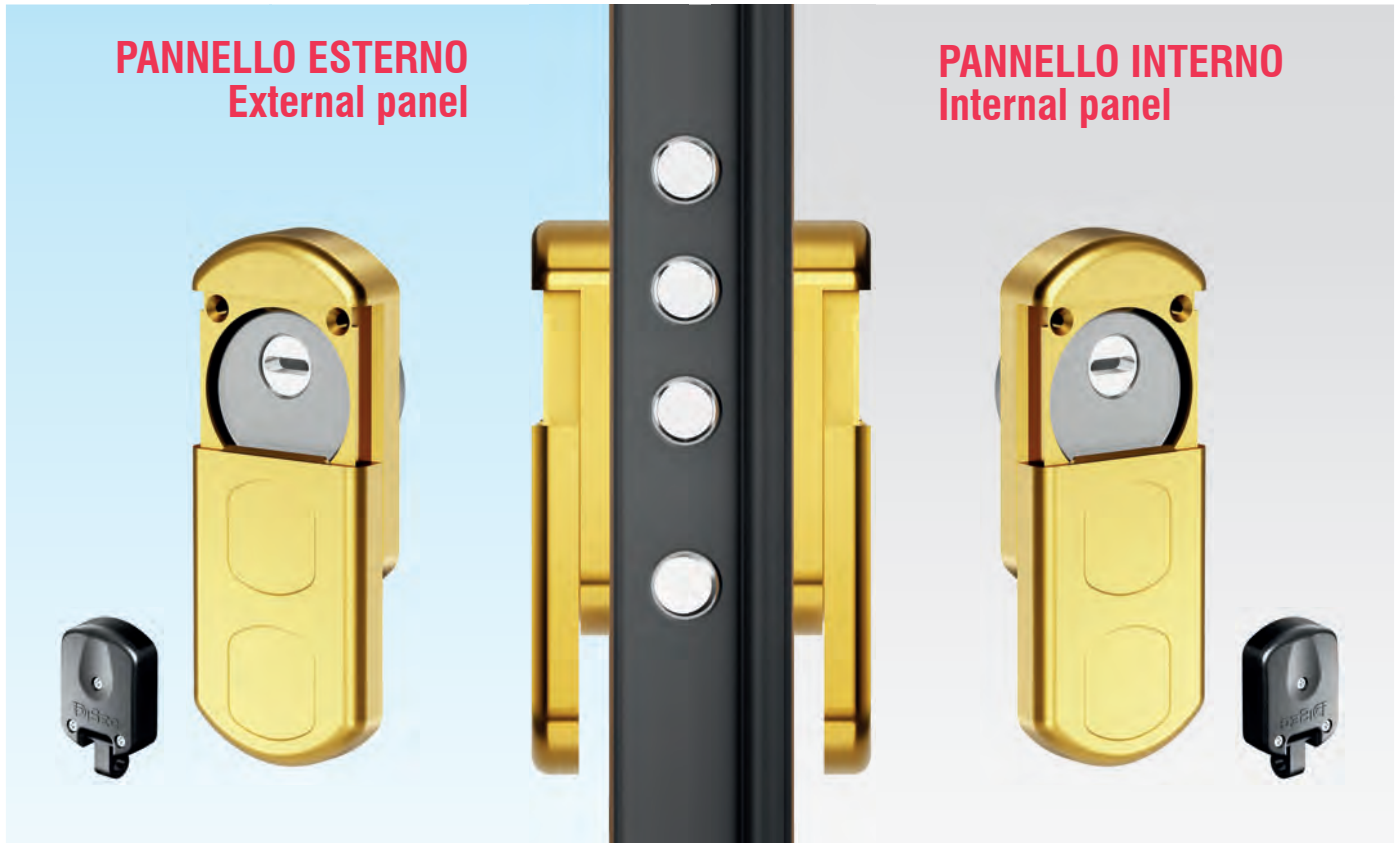
- C** Cromo lucido
Bright Chrome
- T** Cromo satinato
Satin Chrome
- 2** PVD Ottone
PVD Brass
- B** Bronzo
Bronze

MONTAGGIO / FITTING



ANTI "OKUPA"

MG3510KP



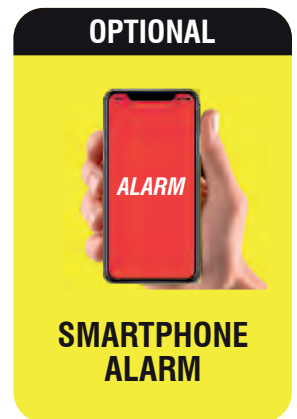
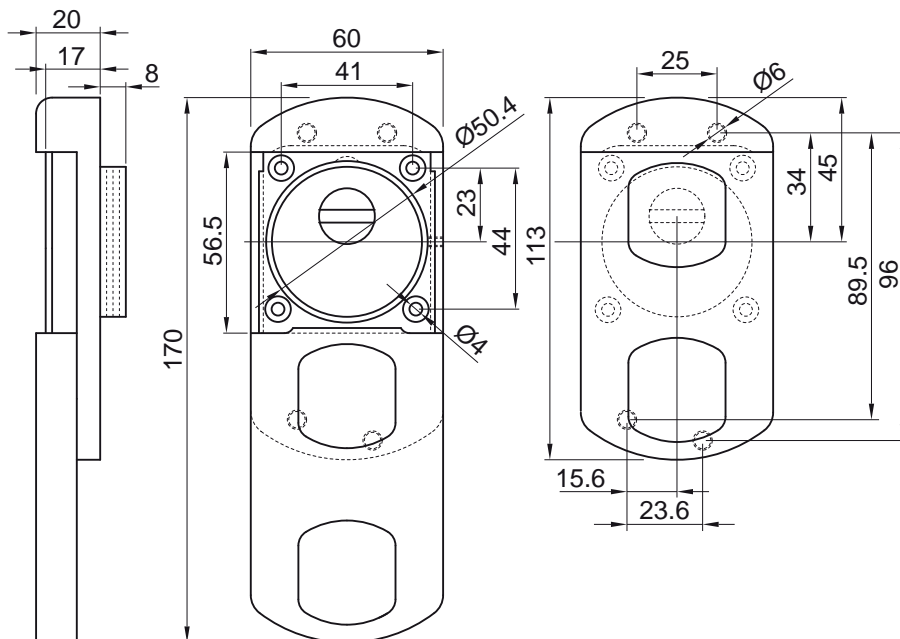
Doppio protettore magnetico per cilindro europeo contro l'**OCCUPAZIONE ABUSIVA** dell'immobile.

Grazie alla doppia installazione protegge la serratura dai tentativi di scasso sia dall'esterno che dall'interno dell'abitazione.



Double magnetic guard for European cylinder, made specially against **ILLEGAL OCCUPATION/SEIZURE** of the property.

Thanks to the double installation it protects the lock against burglary attempts both from the outside and from the inside of the house.



- W Bianco RAL 9010
White RAL 9010
- C Cromo lucido
Bright chrome
- T Cromo satinato
Satin chrome
- 6 Argento anodizzato
Anodized silver
- IT Inox satinato
Satin stainless steel

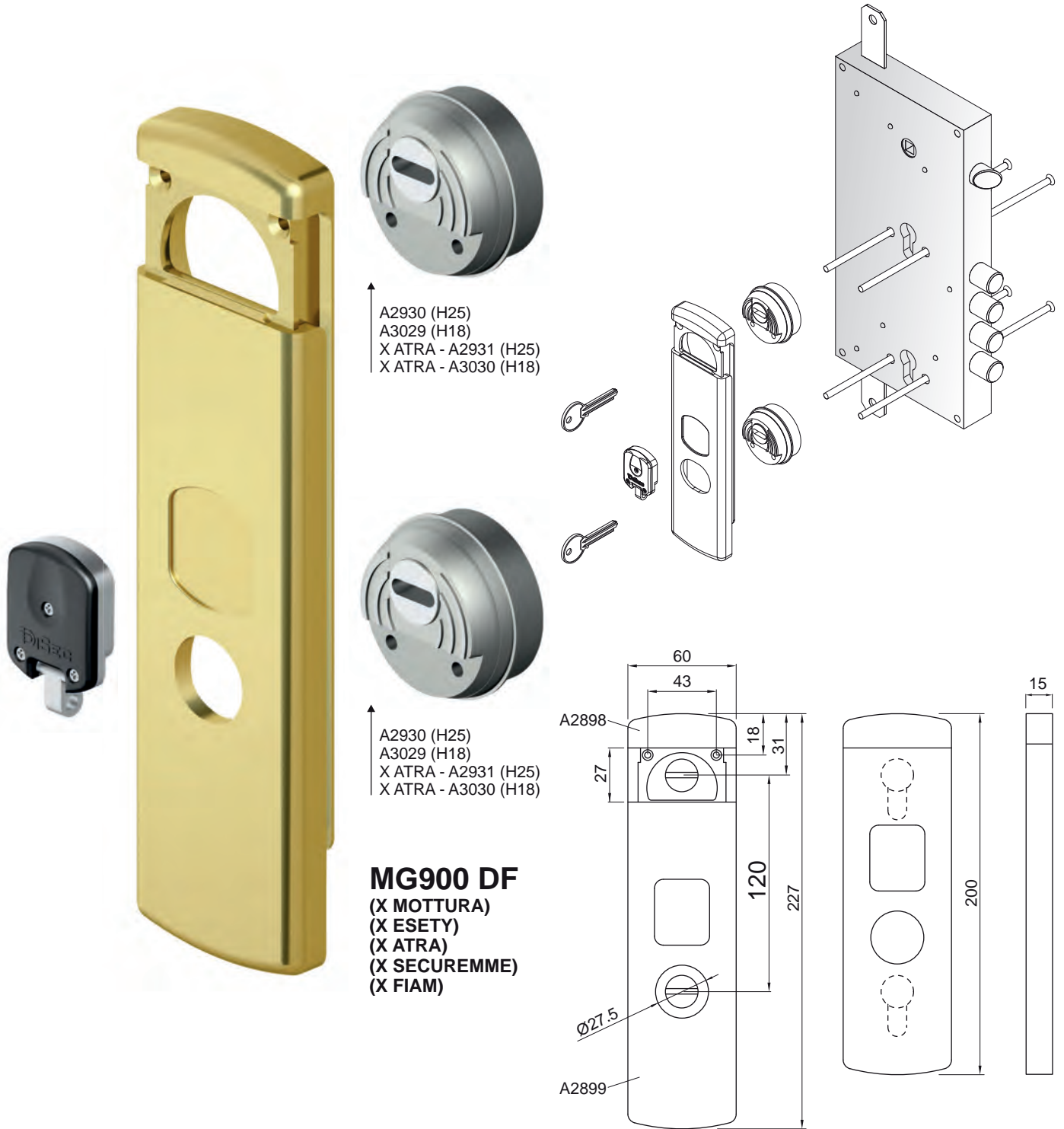
- N Nero
Black
- 8 PVD Nero lucido
PVD Bright black
- T8 PVD Nero antracite
PVD Satin black
- B Bronzo
Bronze
- BS Bronzo satinato
Satin bronze

- A Champagne anodizzato
Anodized champagne
- 9 Oro anodizzato
Anodized gold
- 2 PVD Ottone
PVD Brass
- L Ottone lucido
Bright brass
- TT Ottone satinato
Satin brass



VIDEO:





A2930 (H25)
A3029 (H18)
X ATRA - A2931 (H25)
X ATRA - A3030 (H18)

A2930 (H25)
A3029 (H18)
X ATRA - A2931 (H25)
X ATRA - A3030 (H18)

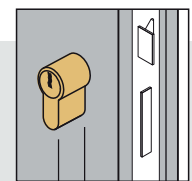
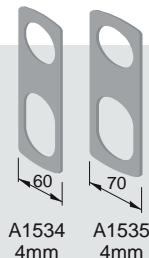
MG900 DF
(X MOTTURA)
(X ESETY)
(X ATRA)
(X SECUREMME)
(X FIAM)

- W Bianco RAL 9010
White RAL 9010
- C Cromo lucido
Bright chrome
- T Cromo satinato
Satin chrome
- 6 Argento anodizzato
Anodized silver
- IT Inox satinato
Satin stainless steel

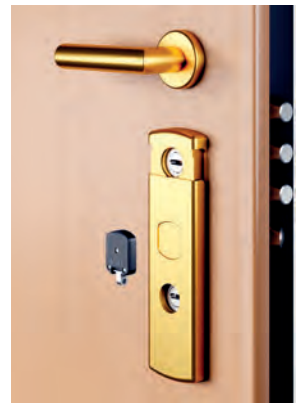
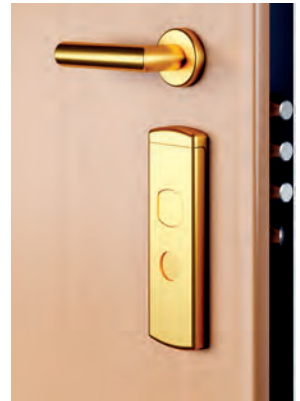
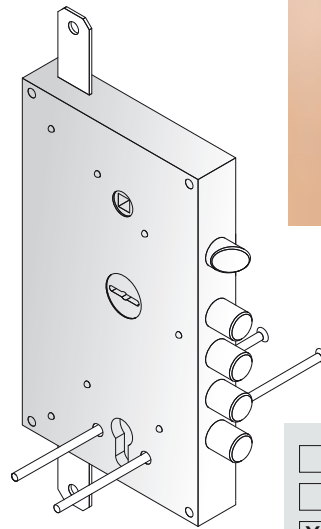
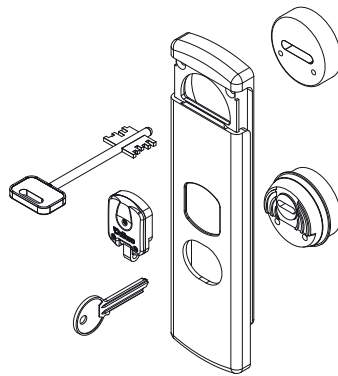
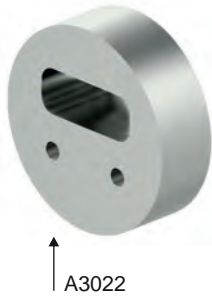
- N Nero
Black
- 8 PVD Nero lucido
PVD Bright black
- T8 PVD Nero antracite
PVD Satin black
- B Bronzo
Bronze
- BS Bronzo satinato
Satin bronze

- A Champagne anodizzato
Anodized champagne
- 9 Oro anodizzato
Anodized gold
- 2 PVD Ottone
PVD Brass
- L Ottone lucido
Bright brass
- TT Ottone satinato
Satin brass

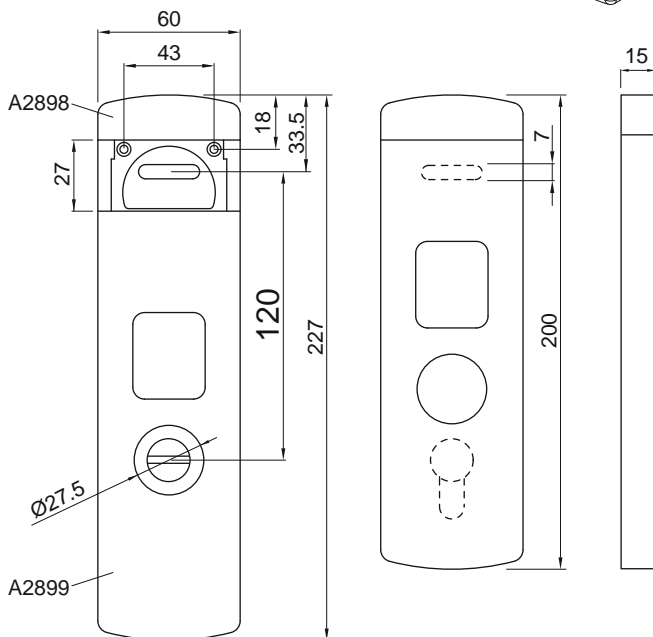
OPTIONAL



Max.mm 12

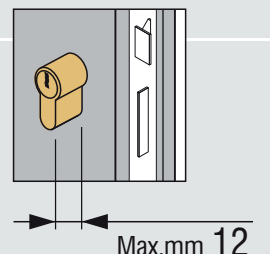
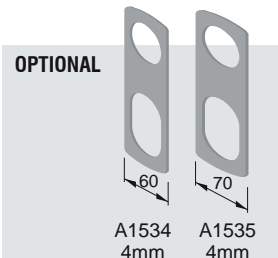


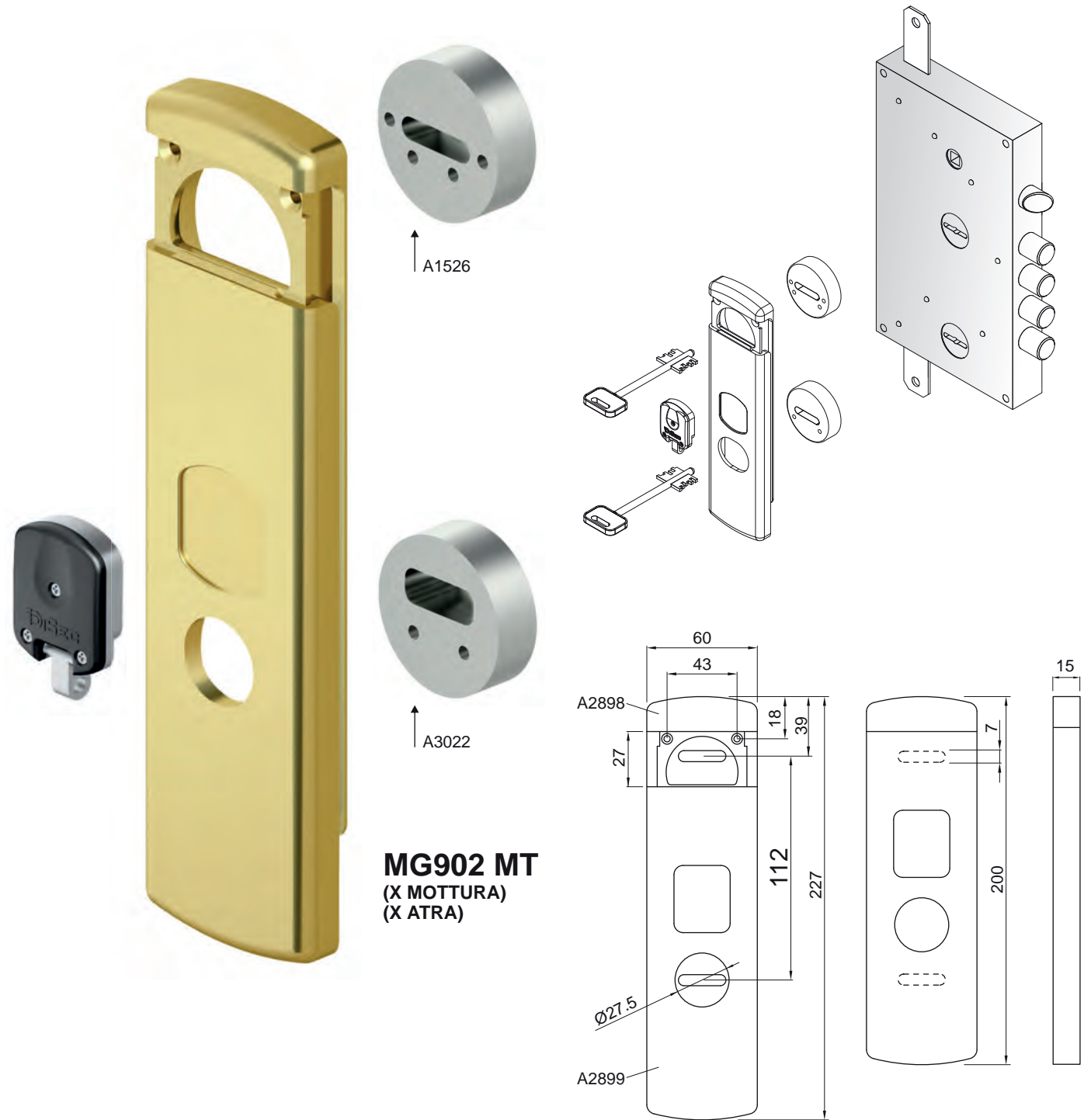
MG901 DF
(X MOTTURA)
(X ESETY)
(X SECUREMME)
(X FIAM)



- W Bianco RAL 9010
White RAL 9010
- C Cromo lucido
Bright chrome
- T Cromo satinato
Satin chrome
- 6 Argento anodizzato
Anodized silver
- IT Inox satinato
Satin stainless steel
- N Nero
Black
- 8 PVD Nero lucido
PVD Bright black
- T8 PVD Nero antracite
PVD Satin black
- B Bronzo
Bronze
- BS Bronzo satinato
Satin bronze
- A Champagne anodizzato
Anodized champagne
- 9 Oro anodizzato
Anodized gold
- 2 PVD Ottone
PVD Brass
- L Ottone lucido
Bright brass
- TT Ottone satinato
Satin brass

Spessori disponibili:
Available spacers:
4mm

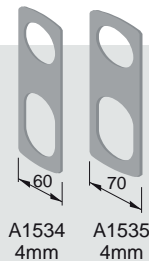




MG902 MT
(X MOTTURA)
(X ATRA)

- | | | |
|--|---|---|
| <input type="checkbox"/> W Bianco RAL 9010
White RAL 9010 | <input type="checkbox"/> N Nero
Black | <input type="checkbox"/> A Champagne anodizzato
Anodized champagne |
| <input type="checkbox"/> C Cromo lucido
Bright chrome | <input type="checkbox"/> 8 PVD Nero lucido
PVD Bright black | <input type="checkbox"/> 9 Oro anodizzato
Anodized gold |
| <input checked="" type="checkbox"/> T Cromo satinato
Satin chrome | <input type="checkbox"/> T8 PVD Nero antracite
PVD Satin black | <input checked="" type="checkbox"/> 2 PVD Ottone
PVD Brass |
| <input type="checkbox"/> 6 Argento anodizzato
Anodized silver | <input type="checkbox"/> B Bronzo
Bronze | <input type="checkbox"/> L Ottone lucido
Bright brass |
| <input type="checkbox"/> IT Inox satinato
Satin stainless steel | <input type="checkbox"/> BS Bronzo satinato
Satin bronze | <input type="checkbox"/> TT Ottone satinato
Satin brass |

OPTIONAL

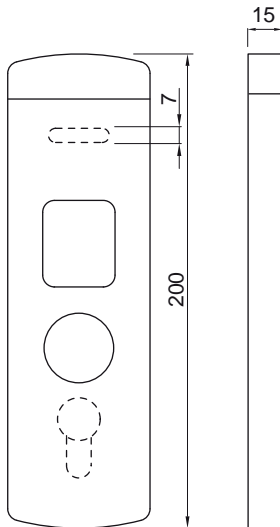
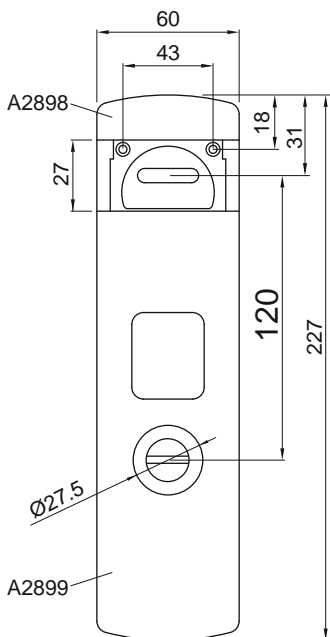
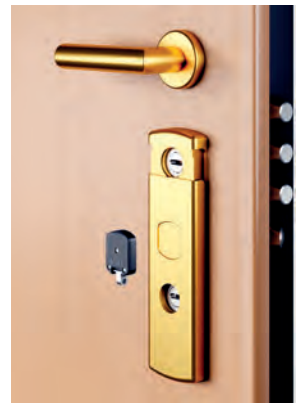
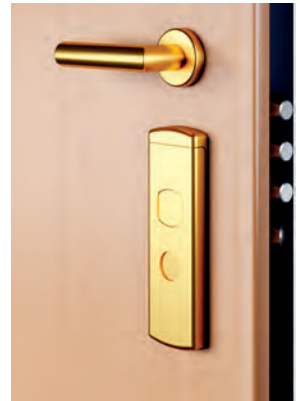
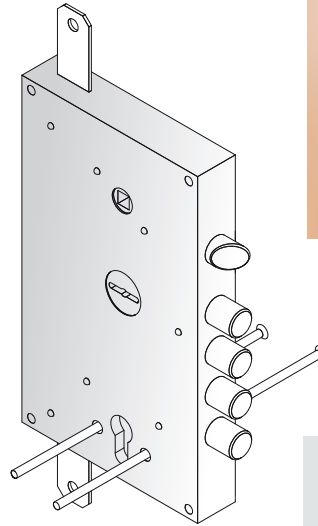
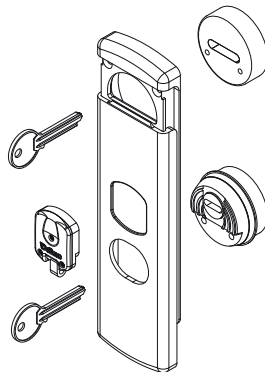


A1534
4mm

A1535
4mm



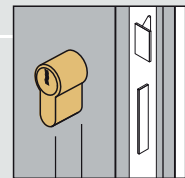
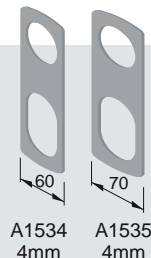
MG903 DM
(X ATRA)



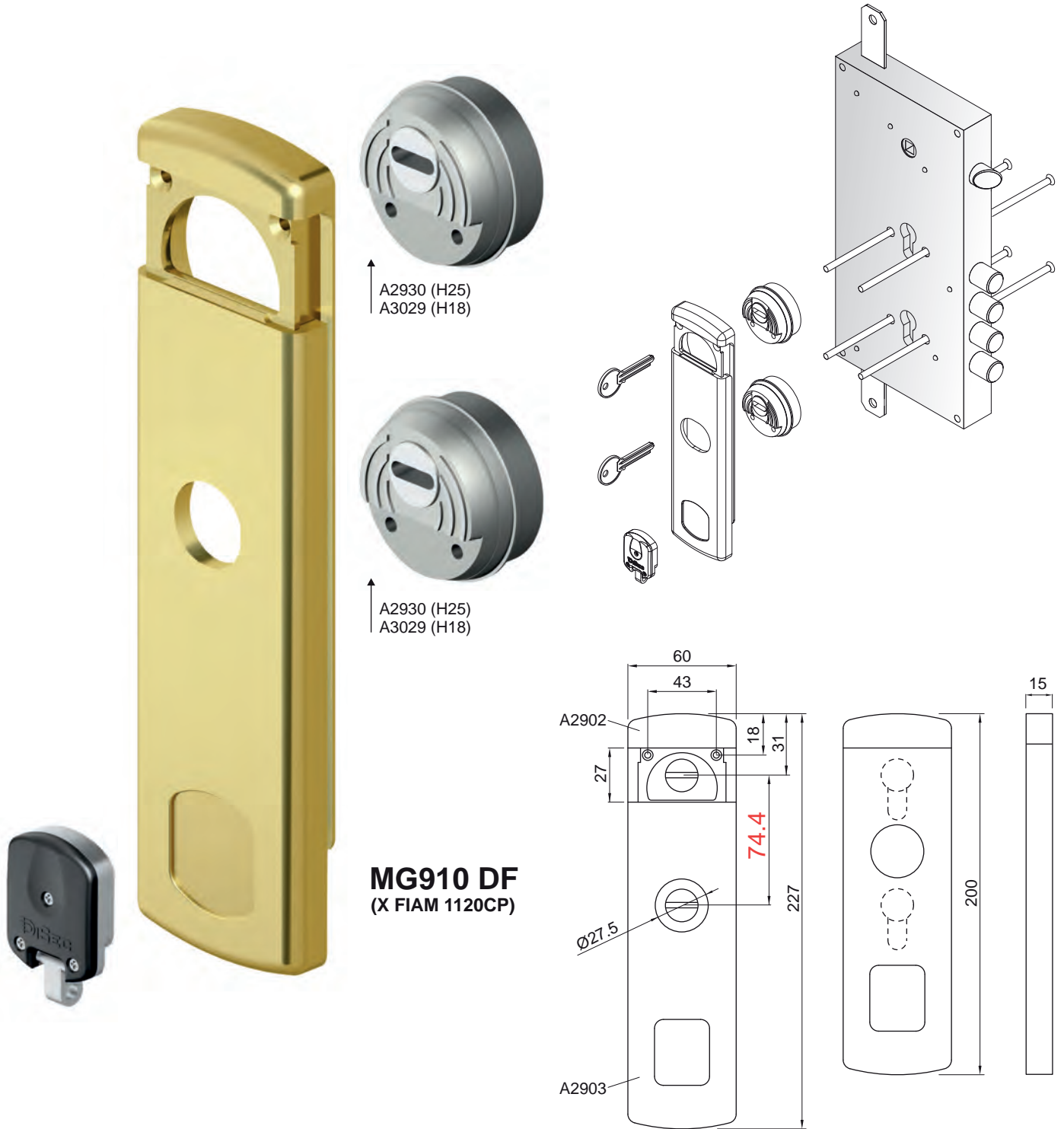
- W Bianco RAL 9010
White RAL 9010
- C Cromo lucido
Bright chrome
- T Cromo satinato
Satin chrome
- 6 Argento anodizzato
Anodized silver
- IT Inox satinato
Satin stainless steel
- N Nero
Black
- 8 PVD Nero lucido
PVD Bright black
- T8 PVD Nero antracite
PVD Satin black
- B Bronzo
Bronze
- BS Bronzo satinato
Satin bronze
- A Champagne anodizzato
Anodized champagne
- 9 Oro anodizzato
Anodized gold
- 2 PVD Ottone
PVD Brass
- L Ottone lucido
Bright brass
- TT Ottone satinato
Satin brass

Spessori disponibili:
Available spacers:
4mm

OPTIONAL



Max.mm 12



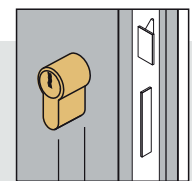
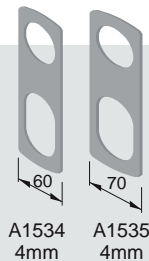
MG910 DF
(X FIAM 1120CP)

- W Bianco RAL 9010
White RAL 9010
- C Cromo lucido
Bright chrome
- T Cromo satinato
Satin chrome
- 6 Argento anodizzato
Anodized silver
- IT Inox satinato
Satin stainless steel

- N Nero
Black
- 8 PVD Nero lucido
PVD Bright black
- T8 PVD Nero antracite
PVD Satin black
- B Bronzo
Bronze
- BS Bronzo satinato
Satin bronze

- A Champagne anodizzato
Anodized champagne
- 9 Oro anodizzato
Anodized gold
- 2 PVD Ottone
PVD Brass
- L Ottone lucido
Bright brass
- TT Ottone satinato
Satin brass

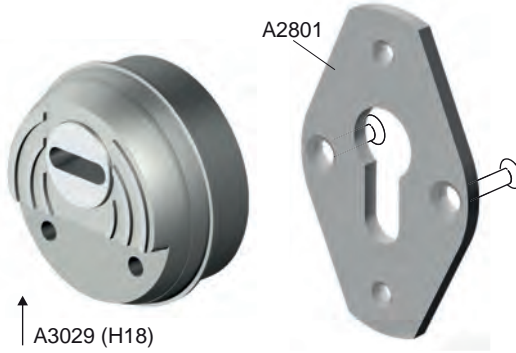
OPTIONAL



Max.mm 12



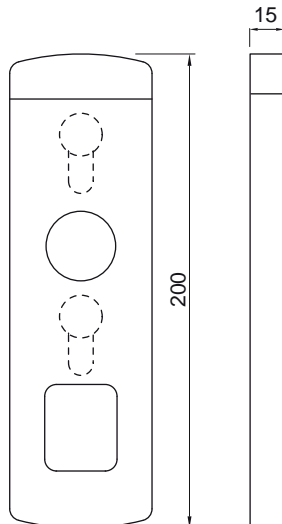
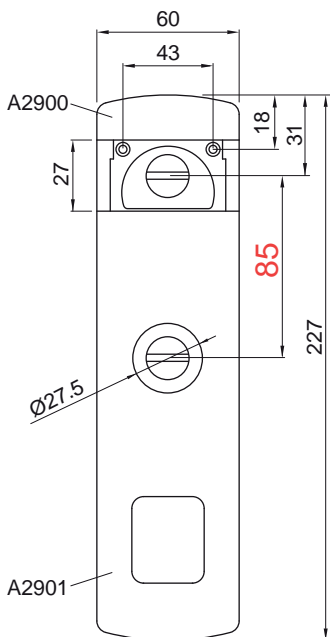
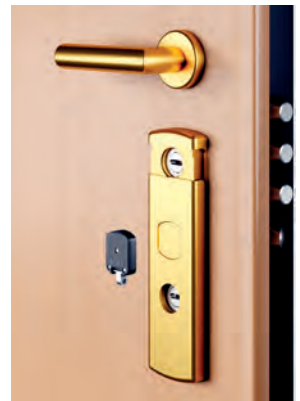
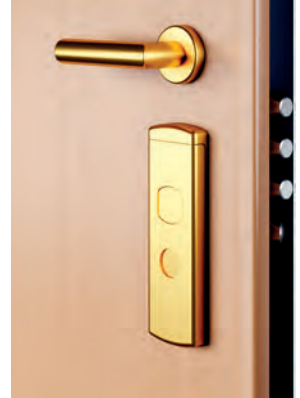
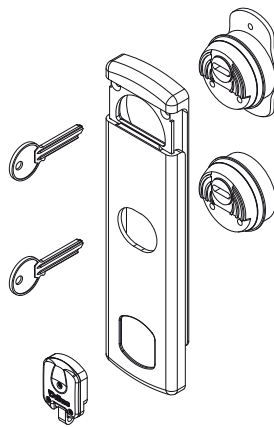
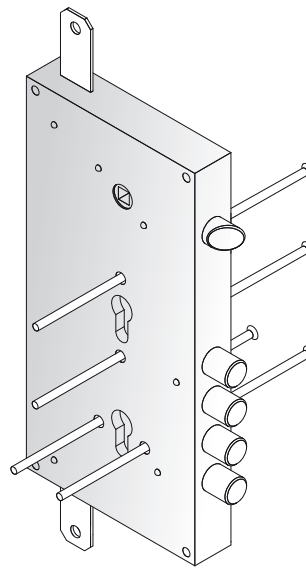
MG915 DF
(X FIAM 868P)



A3029 (H18)

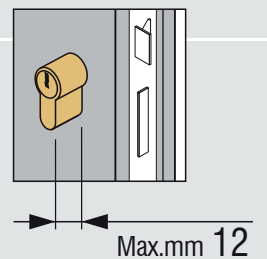
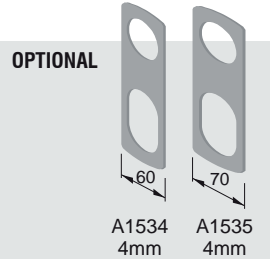


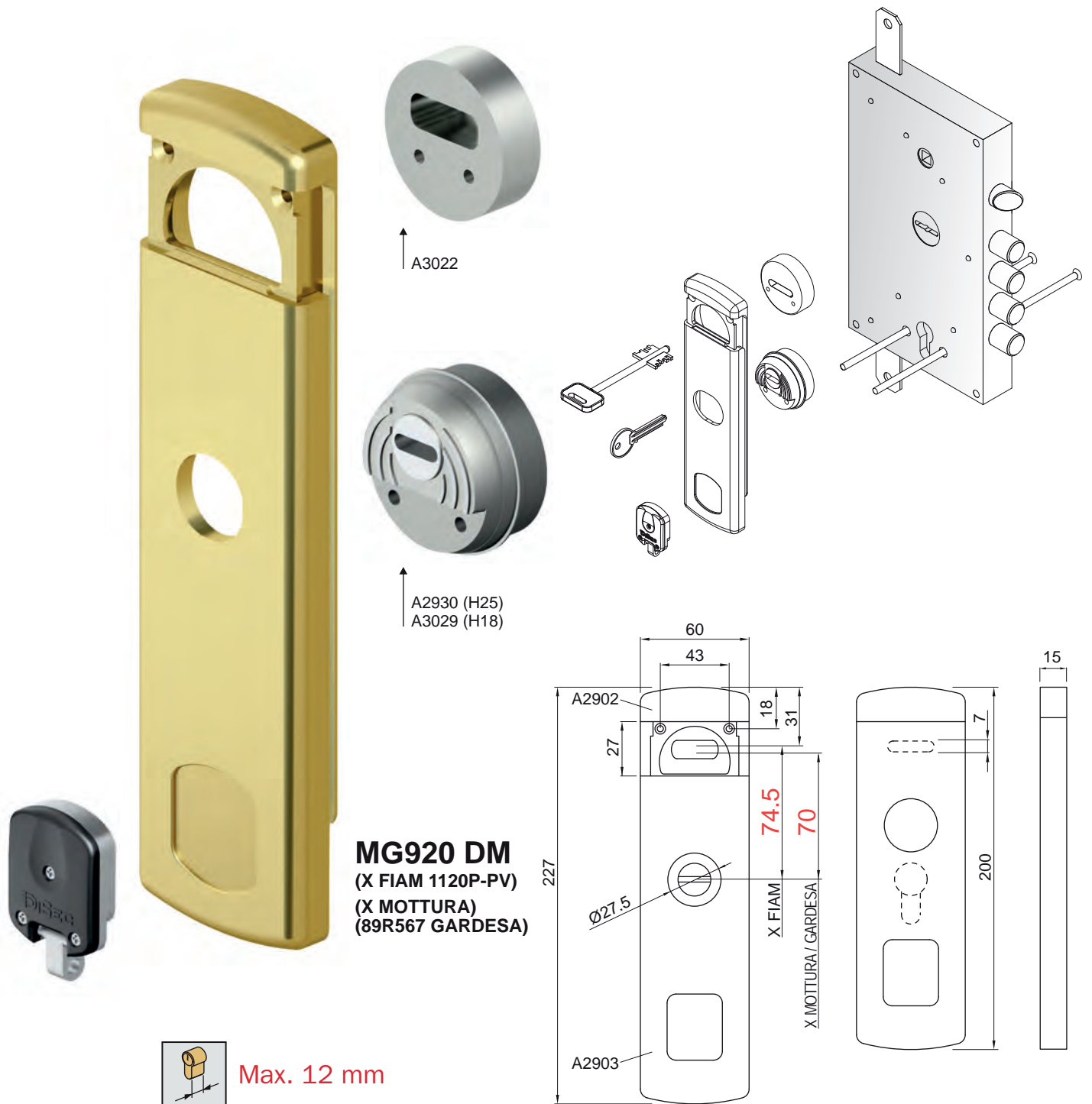
A2930 (H25)
A3029 (H18)



- W Bianco RAL 9010
White RAL 9010
- C Cromo lucido
Bright chrome
- T Cromo satinato
Satin chrome
- 6 Argento anodizzato
Anodized silver
- IT Inox satinato
Satin stainless steel
- N Nero
Black
- 8 PVD Nero lucido
PVD Bright black
- T8 PVD Nero antracite
PVD Satin black
- B Bronzo
Bronze
- BS Bronzo satinato
Satin bronze
- A Champagne anodizzato
Anodized champagne
- 9 Oro anodizzato
Anodized gold
- 2 PVD Ottone
PVD Brass
- L Ottone lucido
Bright brass
- TT Ottone satinato
Satin brass

Spessori disponibili:
Available spacers:
4mm



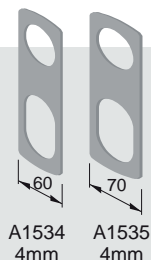


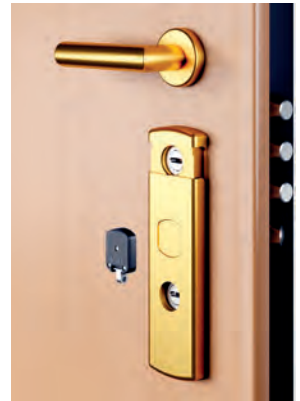
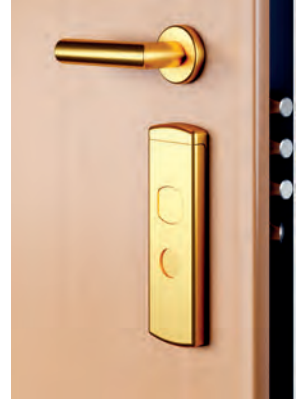
- W** Bianco RAL 9010
White RAL 9010
- C** Cromo lucido
Bright chrome
- T** Cromo satinato
Satin chrome
- 6** Argento anodizzato
Anodized silver
- IT** Inox satinato
Satin stainless steel

- N** Nero
Black
- 8** PVD Nero lucido
PVD Bright black
- T8** PVD Nero antracite
PVD Satin black
- B** Bronzo
Bronze
- BS** Bronzo satinato
Satin bronze

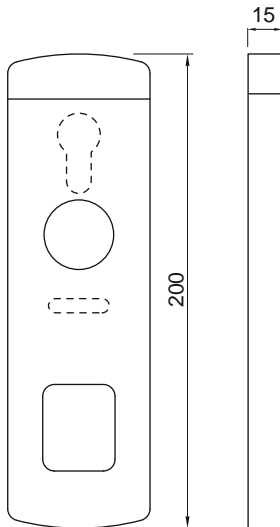
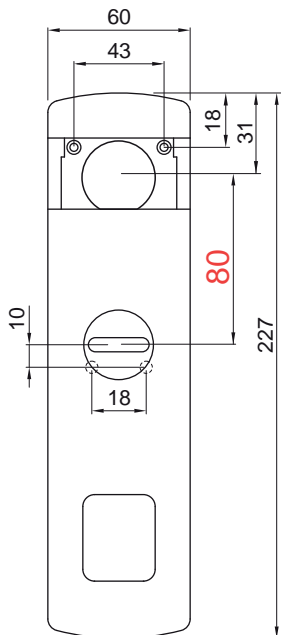
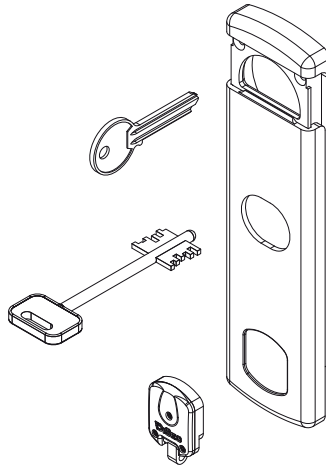
- A** Champagne anodizzato
Anodized champagne
- 9** Oro anodizzato
Anodized gold
- 2** PVD Ottone
PVD Brass
- L** Ottone lucido
Bright brass
- TT** Ottone satinato
Satin brass

OPTIONAL





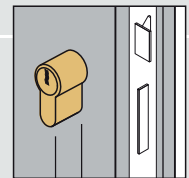
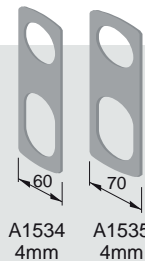
**MG924CIR
X CIR TUTOR**



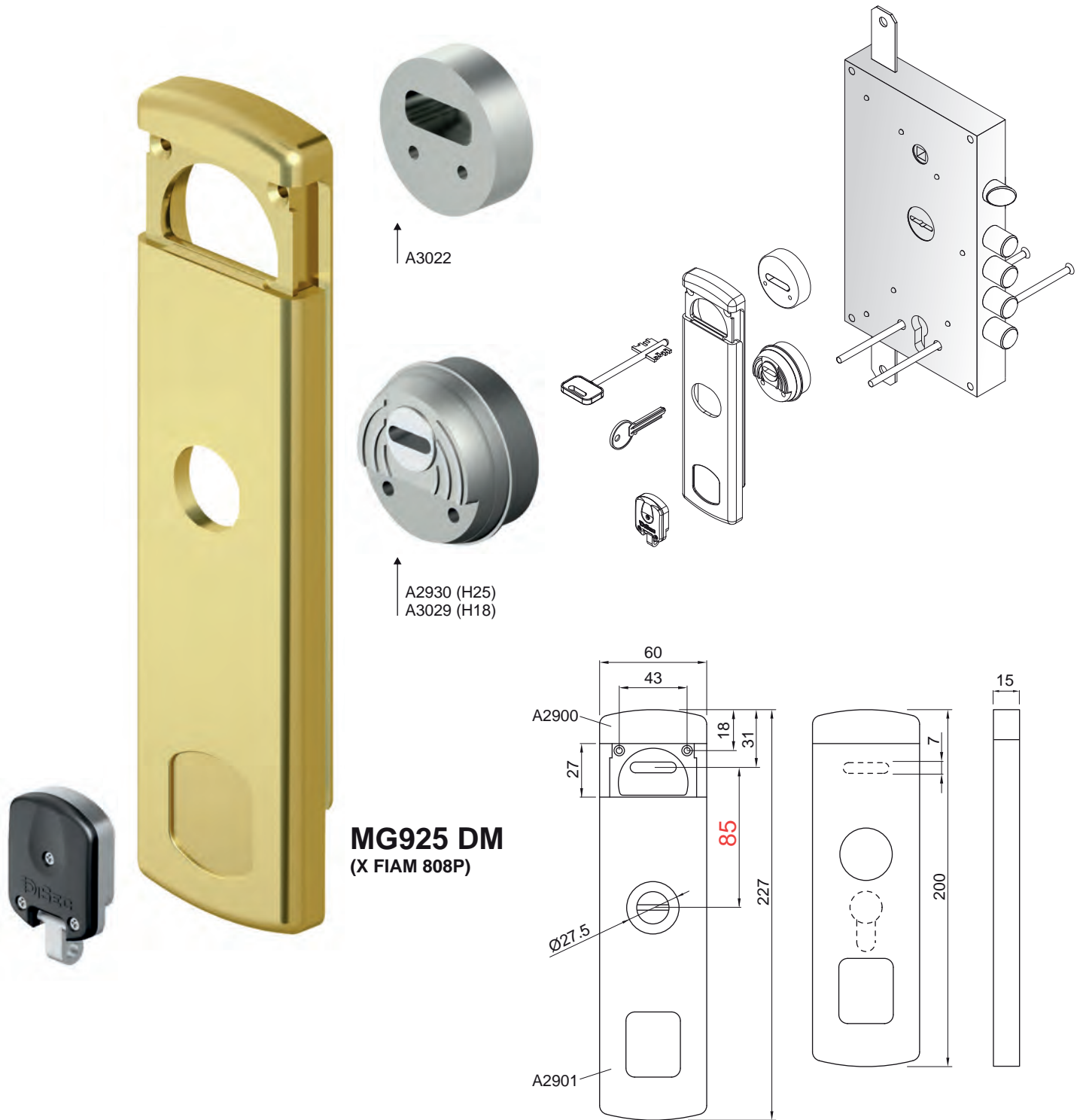
- (W) Bianco RAL 9010
White RAL 9010
- (C) Cromo lucido
Bright chrome
- (T) Cromo satinato
Satin chrome
- (6) Argento anodizzato
Anodized silver
- (IT) Inox satinato
Satin stainless steel
- (N) Nero
Black
- (8) PVD Nero lucido
PVD Bright black
- (T8) PVD Nero antracite
PVD Satin black
- (B) Bronzo
Bronze
- (BS) Bronzo satinato
Satin bronze
- (A) Champagne anodizzato
Anodized champagne
- (9) Oro anodizzato
Anodized gold
- (2) PVD Ottone
PVD Brass
- (L) Ottone lucido
Bright brass
- (TT) Ottone satinato
Satin brass

Spessori disponibili:
Available spacers:
4mm

OPTIONAL



Max.mm 12



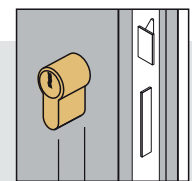
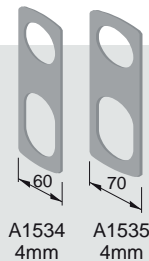
MG925 DM
(X FIAM 808P)

- W** Bianco RAL 9010
White RAL 9010
- C** Cromo lucido
Bright chrome
- T** Cromo satinato
Satin chrome
- 6** Argento anodizzato
Anodized silver
- IT** Inox satinato
Satin stainless steel

- N** Nero
Black
- 8** PVD Nero lucido
PVD Bright black
- T8** PVD Nero antracite
PVD Satin black
- B** Bronzo
Bronze
- BS** Bronzo satinato
Satin bronze

- A** Champagne anodizzato
Anodized champagne
- 9** Oro anodizzato
Anodized gold
- 2** PVD Ottone
PVD Brass
- L** Ottone lucido
Bright brass
- TT** Ottone satinato
Satin brass

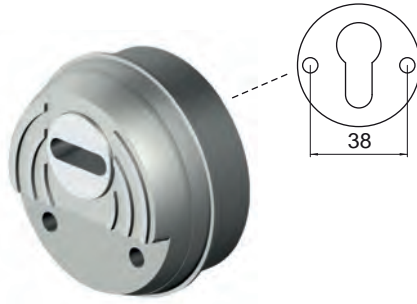
OPTIONAL



Max.mm 12



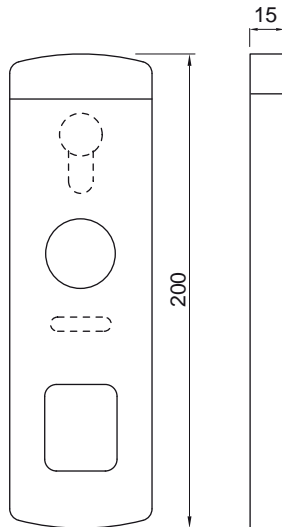
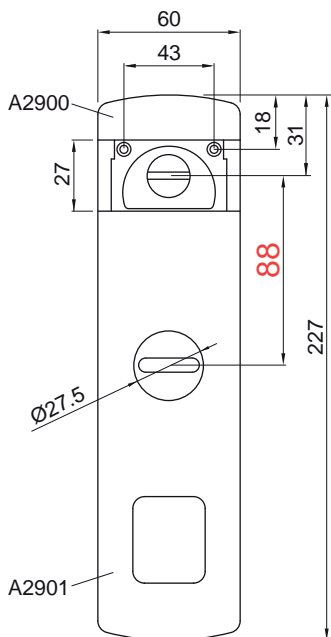
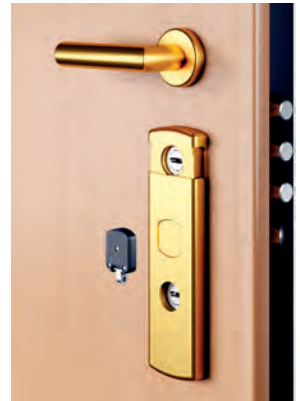
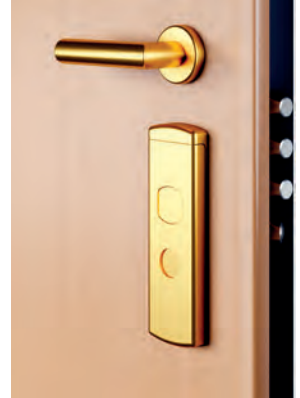
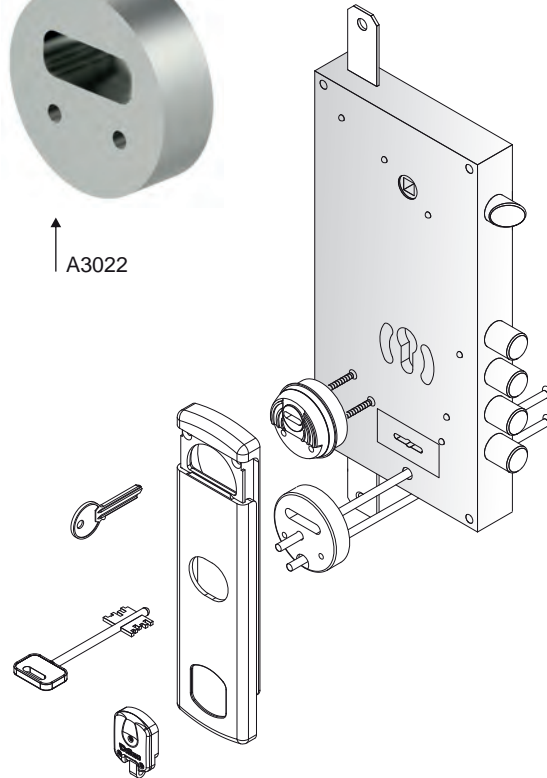
MG930 DF
(X CR)
(X MOTTURA)



A2930 (H25)
A3029 (H18)

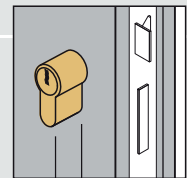
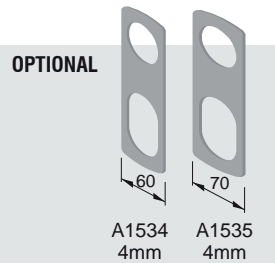


A3022

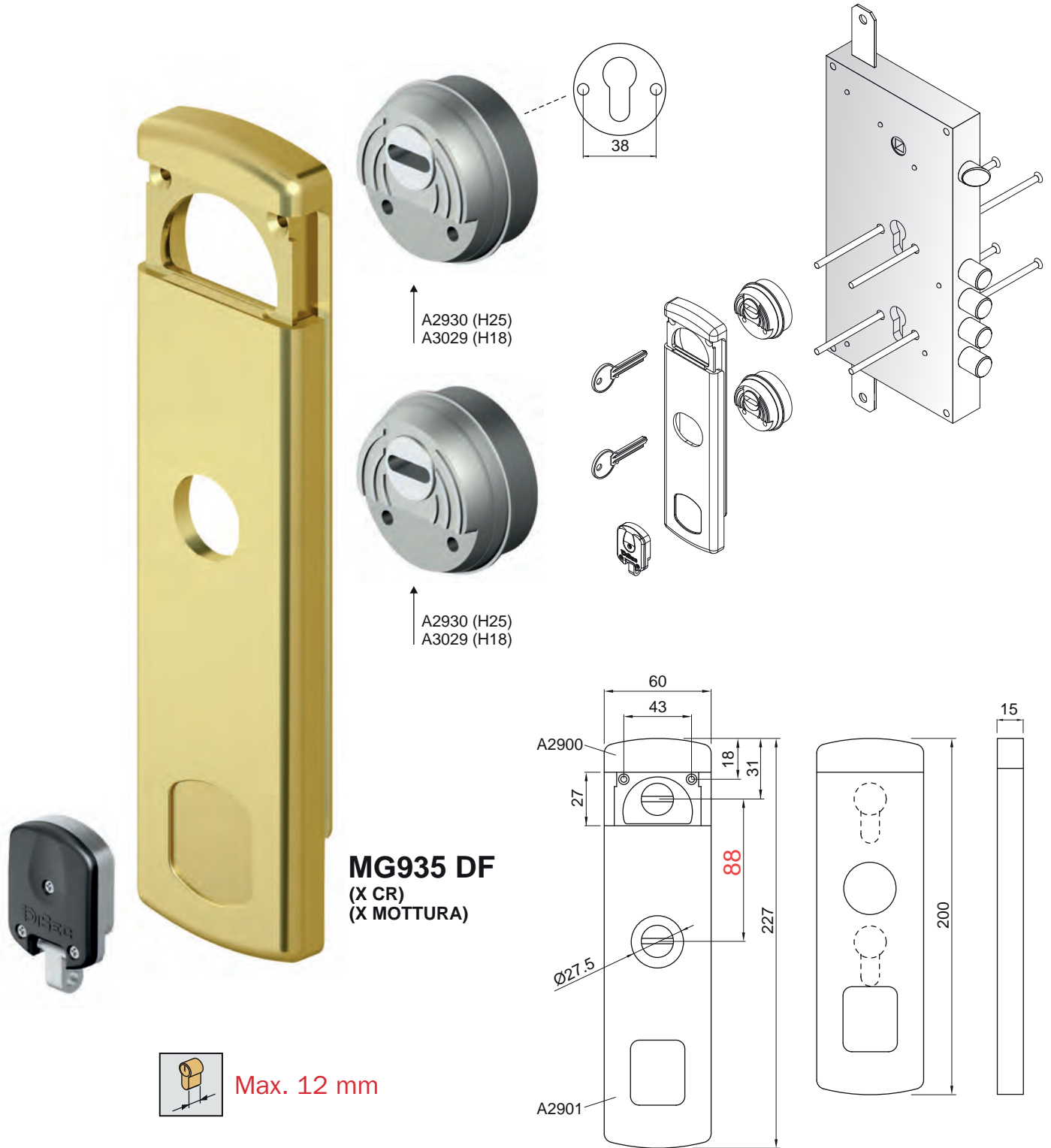


- (W) Bianco RAL 9010
White RAL 9010
- (C) Cromo lucido
Bright chrome
- (T) Cromo satinato
Satin chrome
- (6) Argento anodizzato
Anodized silver
- (IT) Inox satinato
Satin stainless steel
- (N) Nero
Black
- (8) PVD Nero lucido
PVD Bright black
- (T8) PVD Nero antracite
PVD Satin black
- (B) Bronzo
Bronze
- (BS) Bronzo satinato
Satin bronze
- (A) Champagne anodizzato
Anodized champagne
- (9) Oro anodizzato
Anodized gold
- (2) PVD Ottone
PVD Brass
- (L) Ottone lucido
Bright brass
- (TT) Ottone satinato
Satin brass

Spessori disponibili:
Available spacers:
4mm



Max.mm 12

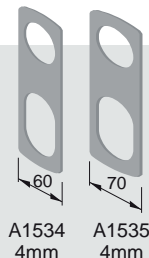


- (W)** Bianco RAL 9010
White RAL 9010
- (C)** Cromo lucido
Bright chrome
- (T)** Cromo satinato
Satin chrome
- (6)** Argento anodizzato
Anodized silver
- (IT)** Inox satinato
Satin stainless steel

- (N)** Nero
Black
- (8)** PVD Nero lucido
PVD Bright black
- (T8)** PVD Nero antracite
PVD Satin black
- (B)** Bronzo
Bronze
- (BS)** Bronzo satinato
Satin bronze

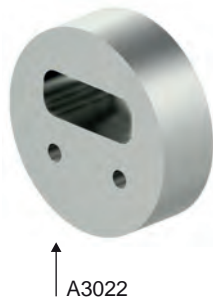
- (A)** Champagne anodizzato
Anodized champagne
- (9)** Oro anodizzato
Anodized gold
- (2)** PVD Ottone
PVD Brass
- (L)** Ottone lucido
Bright brass
- (TT)** Ottone satinato
Satin brass

OPTIONAL





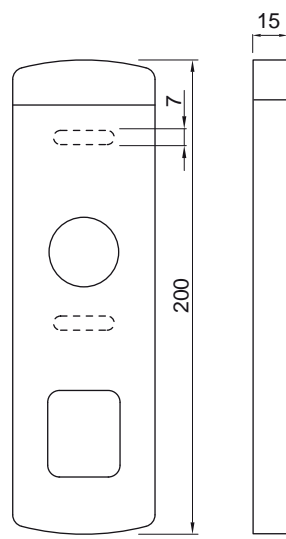
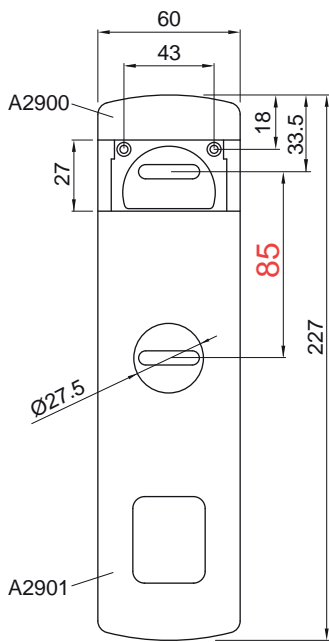
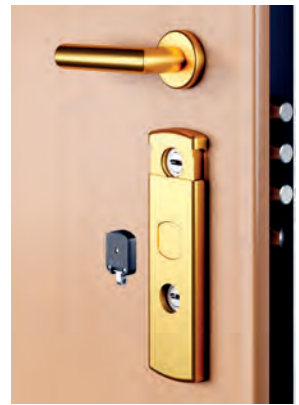
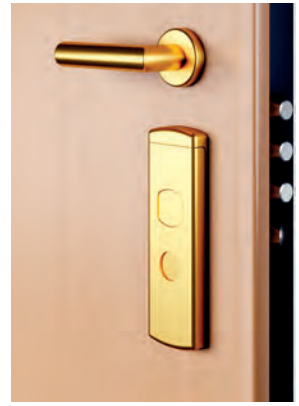
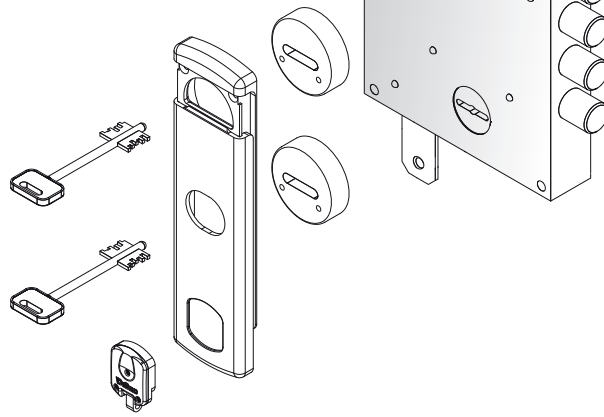
MG940 DM
(X CR)



A3022



A3022



- W Bianco RAL 9010
White RAL 9010
- C Cromo lucido
Bright chrome
- T Cromo satinato
Satin chrome
- 6 Argento anodizzato
Anodized silver
- IT Inox satinato
Satin stainless steel
- N Nero
Black
- 8 PVD Nero lucido
PVD Bright black
- T8 PVD Nero antracite
PVD Satin black
- B Bronzo
Bronze
- BS Bronzo satinato
Satin bronze
- A Champagne anodizzato
Anodized champagne
- 9 Oro anodizzato
Anodized gold
- 2 PVD Ottone
PVD Brass
- L Ottone lucido
Bright brass
- TT Ottone satinato
Satin brass

Spessori disponibili:
Available spacers:
4mm

Max.mm 12

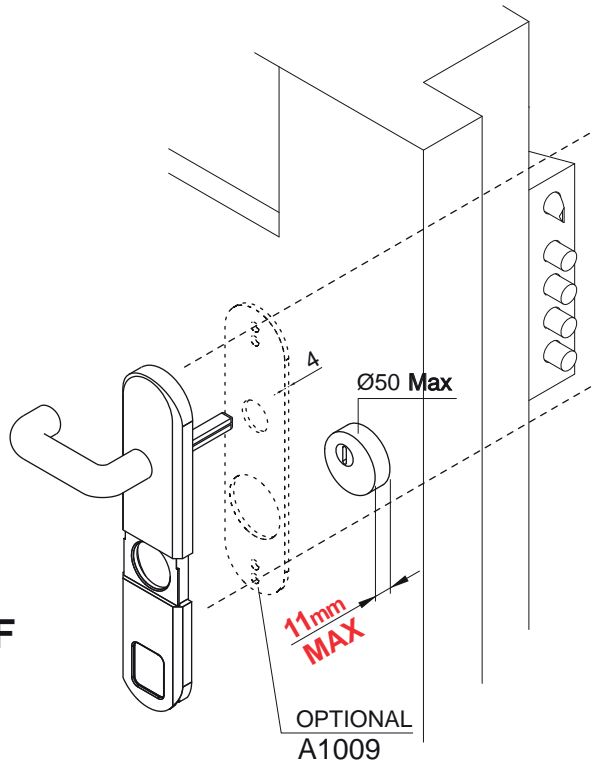
OPTIONAL

A1534
4mm

A1535
4mm

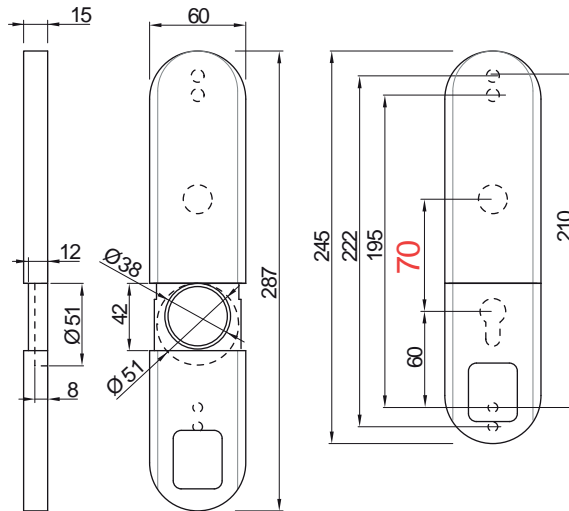


MG581F



MG571F

MG591F

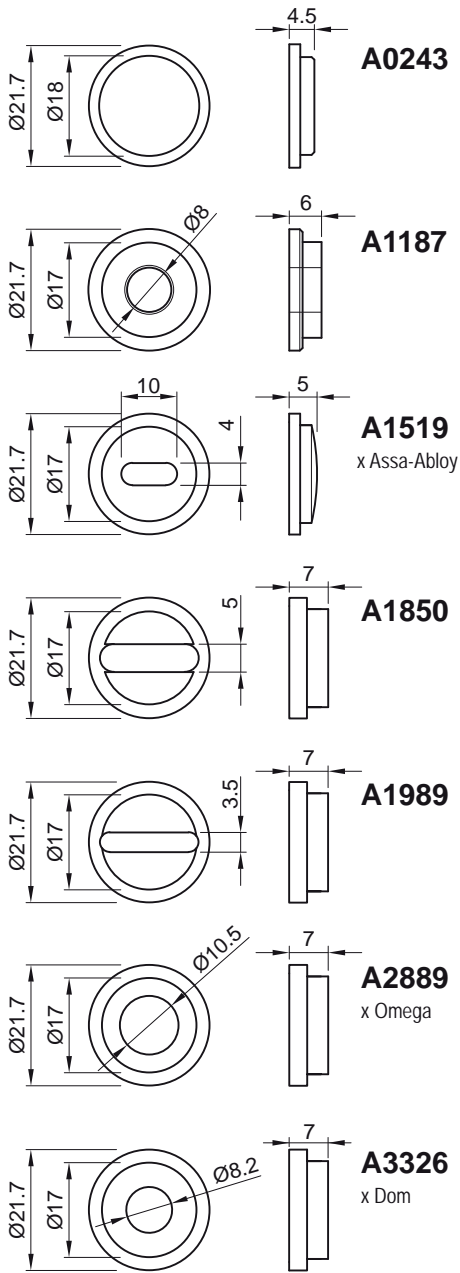


- | | | |
|---|--|--|
| <input type="checkbox"/> W Bianco RAL 9010
White RAL 9010 | <input type="checkbox"/> N Nero
Black | <input type="checkbox"/> A Champagne anodizzato
Anodized champagne |
| <input type="checkbox"/> C Cromo lucido
Bright chrome | <input type="checkbox"/> 8 PVD Nero lucido
PVD Bright black | <input type="checkbox"/> 9 Oro anodizzato
Anodized gold |
| <input checked="" type="checkbox"/> T Cromo satinato
Satin chrome | <input type="checkbox"/> T8 PVD Nero antracite
PVD Satin black | <input checked="" type="checkbox"/> 2 PVD Ottone
PVD Brass |
| <input type="checkbox"/> 6 Argento anodizzato
Anodized silver | <input type="checkbox"/> B Bronzo
Bronze | <input type="checkbox"/> L Ottone lucido
Bright brass |
| <input type="checkbox"/> IT Inox satinato
Satin stainless steel | <input type="checkbox"/> BS Bronzo satinato
Satin bronze | <input type="checkbox"/> TT Ottone satinato
Satin brass |

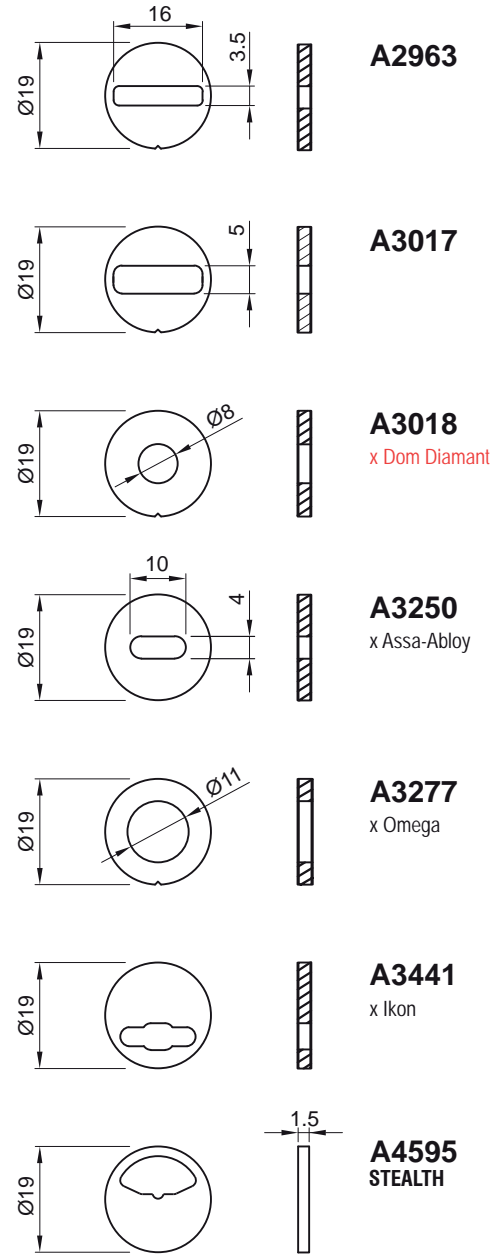
Spessori disponibili:
Available spacers:
5mm



Ø22

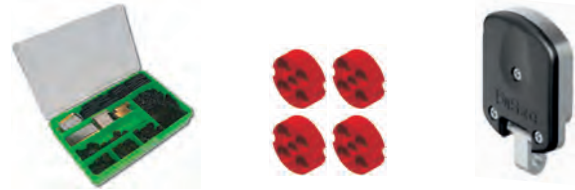


Ø19

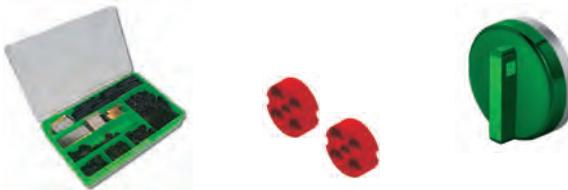




KTXP70 KIT 20 pz **KM0P70**
x MG 351 NEW / x 3W



KTXP55 KIT 20 pz **KM0P55**
x MG3551



KTXP42 KIT 20 pz **KM0P42**
x MAG ROUND (MRM29)



KM0023 KIT 20 pz **KM0027**



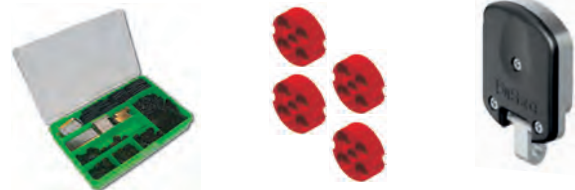
KTXP40 KIT 20 pz **KM0P40**
x MAG ROUND 128



KTXP46 KIT 20 pz **KM0P46**
x MAG ROUND (MRM23)



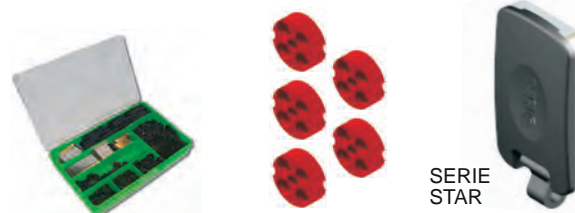
KTXP47 KIT 20 pz **KM0P47**
x MAG 4G



KTXP85 KIT 20 pz **KM0P85**
x 4W



KM0019 KIT 20 pz **KM0006**
x 2W



KTXP90 KIT 20 pz **KM0P90**
x 5W



KTXP3G

KIT 20 pz

KM0P3G
x 3W



KTXP86

KM0P86
x MG850 - FURGONI / VAN



KTXP20

KM0P20
x LUCCHETTI / PADLOCKS



KTXP51

KM0P60
x MR01DM



KTXP96

KM0P96
x MRM27



KTXP4GN

KM0P49
x 4GN



KTXP24

KM0P24
x MG610 SAFY



KTXP88

KM0P88
x MG013



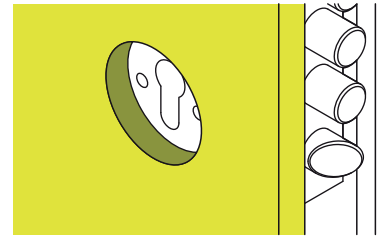
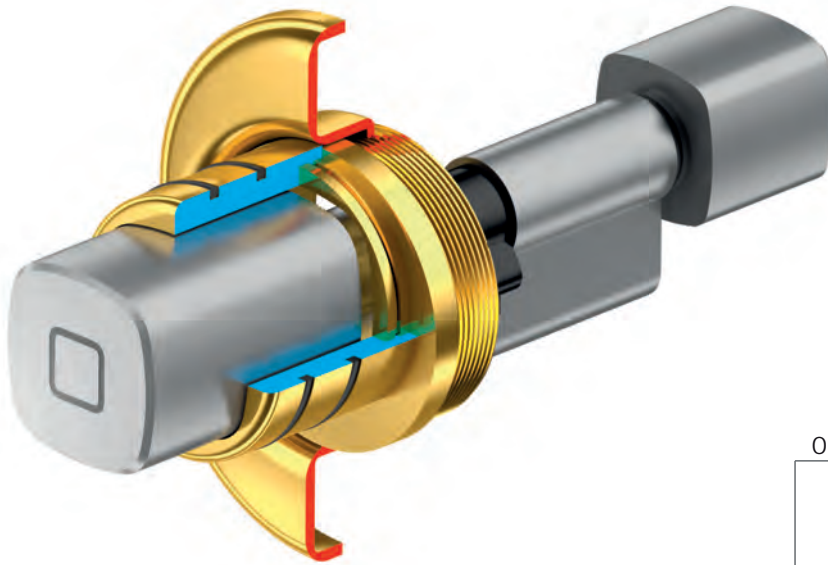
KM0026

KM0025
x MG030



KTXP25

KM0P25
x MRM25



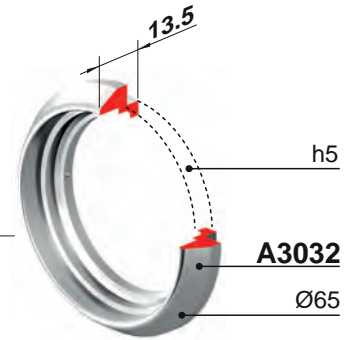
INOX



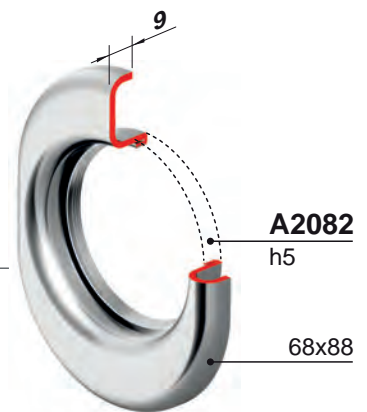
X KABA

XE510
XE511 X ATRA

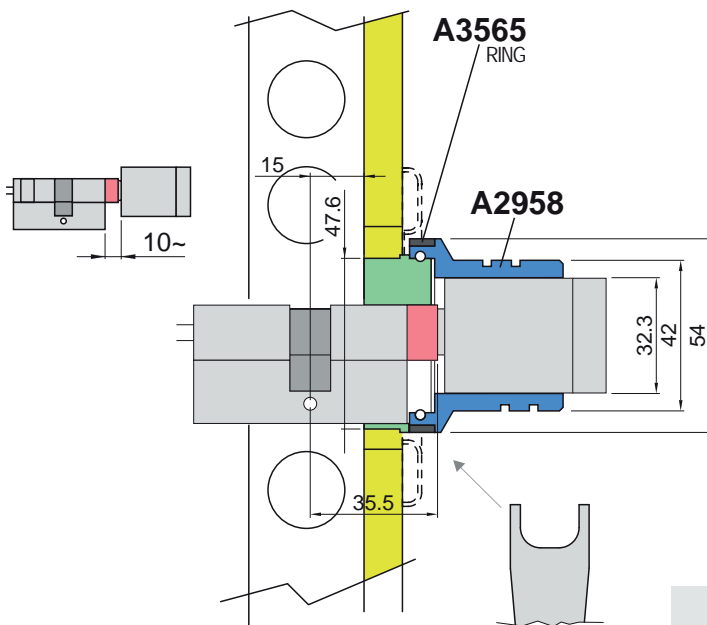
OPTIONAL



OPTIONAL

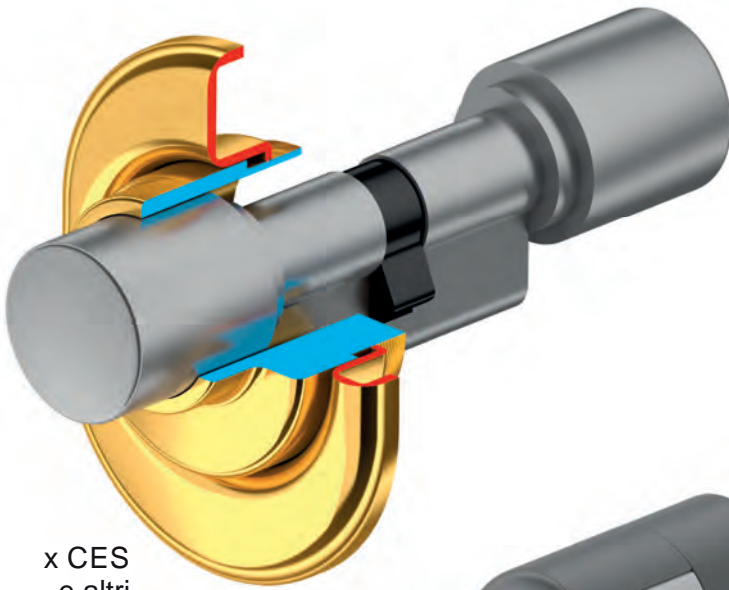


OPTIONAL

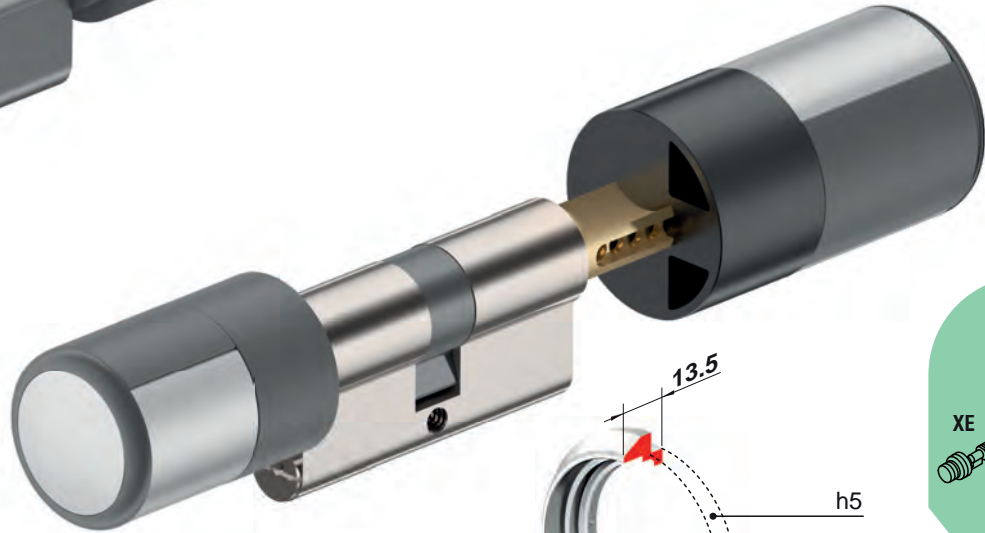


FINITURE / FINISHES

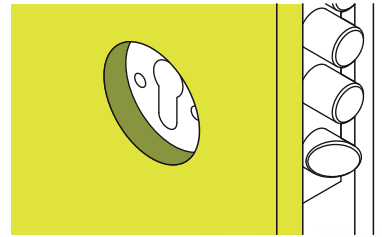
- ② Inox PVD gold color
- Ⓜ Inox satin



x CES
e altri



x BURG



INOX

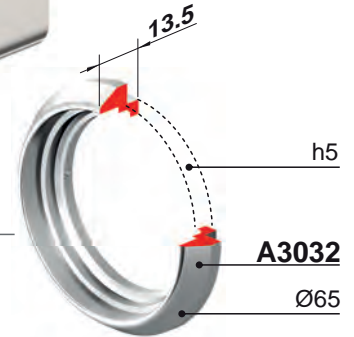


X CES / X BURG

A2658

A3101 X ATRA

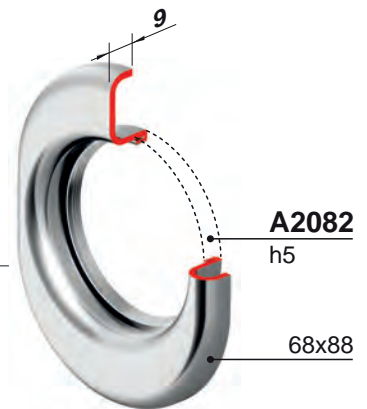
OPTIONAL



A3032

Ø65

OPTIONAL



A2082

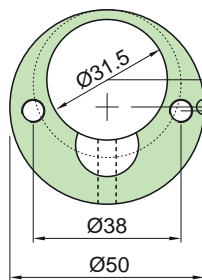
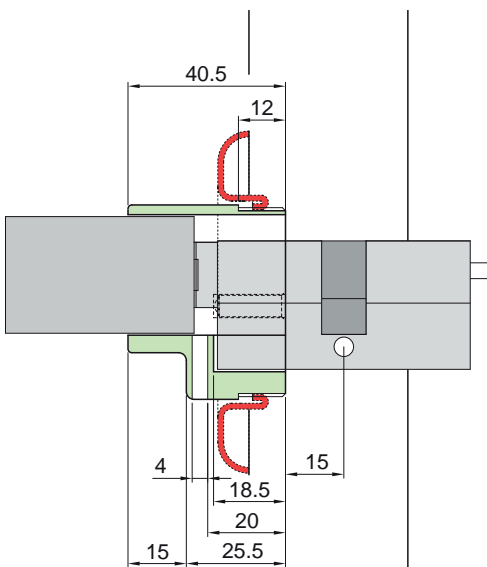
h5

68x88

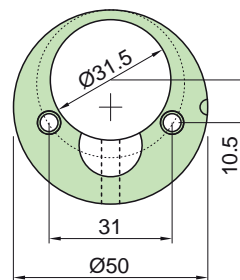
OPTIONAL



KT3559
68x88



A2658

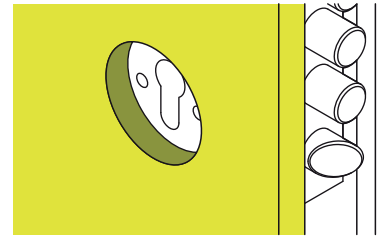
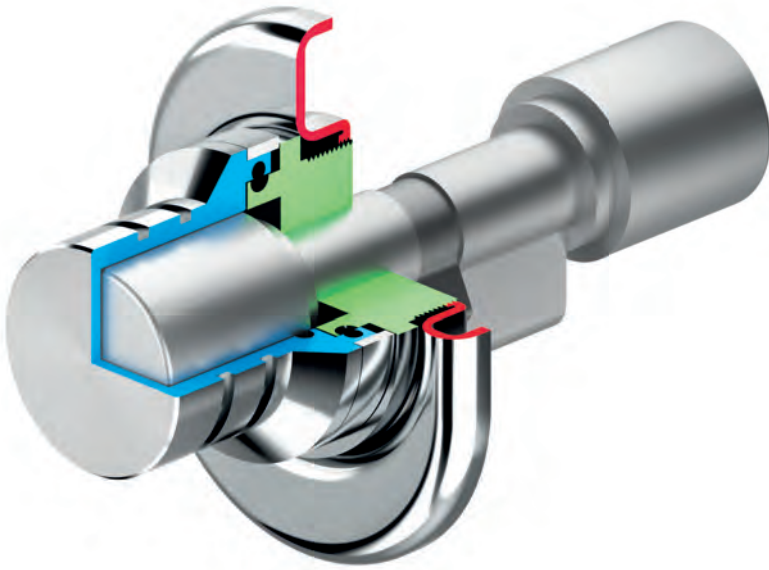


A3101
X ATRA

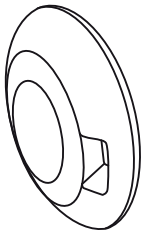
FINITURE / FINISHES

- ② Inox PVD gold color
- Ⓜ Inox satin

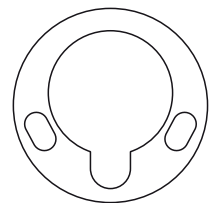
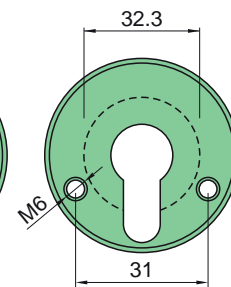
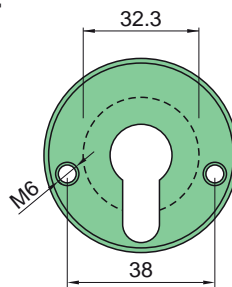
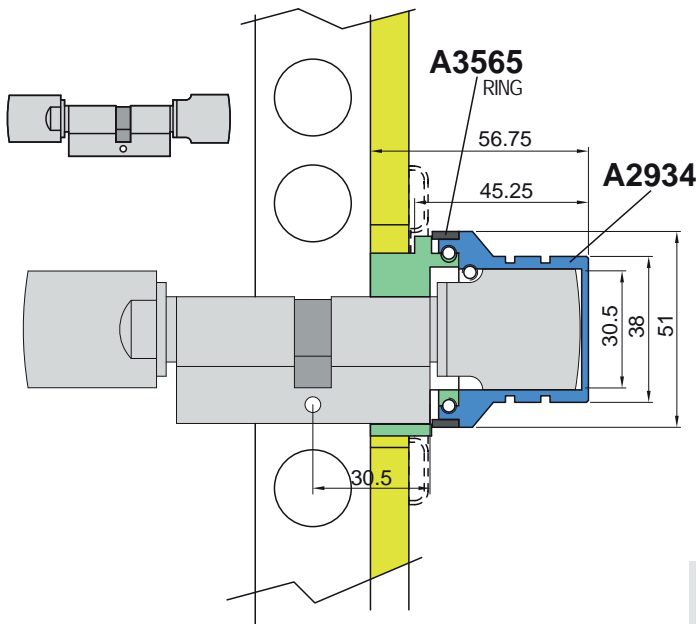
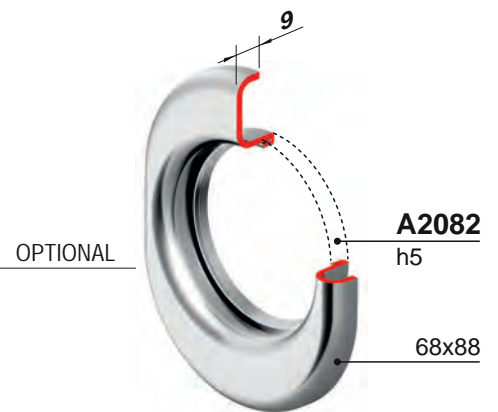
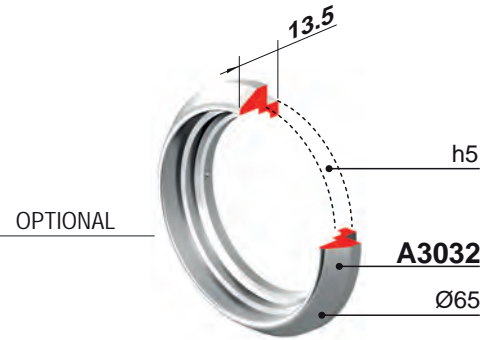
XE



INOX



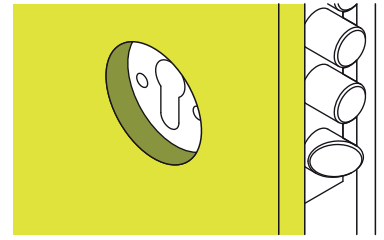
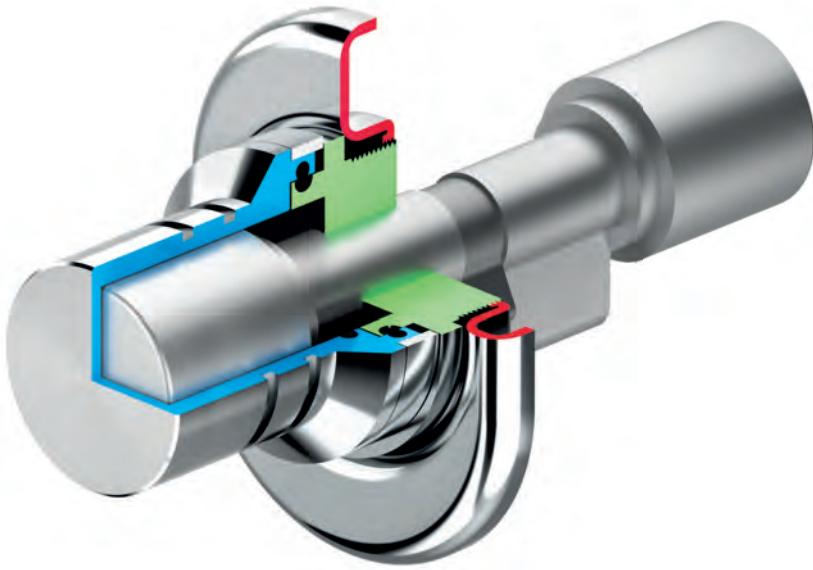
X SIMONS VOSS **XE601**
XE607 X ATRA



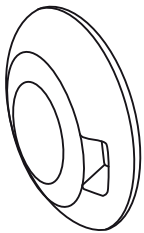
Sp. 8/10 - A3583
Sp. 20/10 - A3584

FINITURE / FINISHES

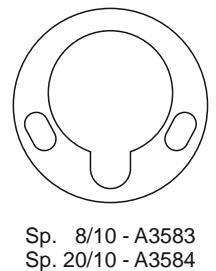
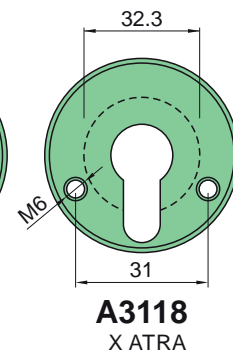
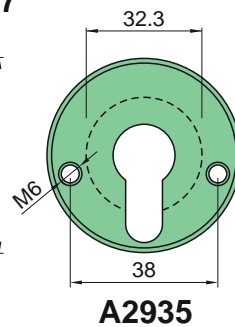
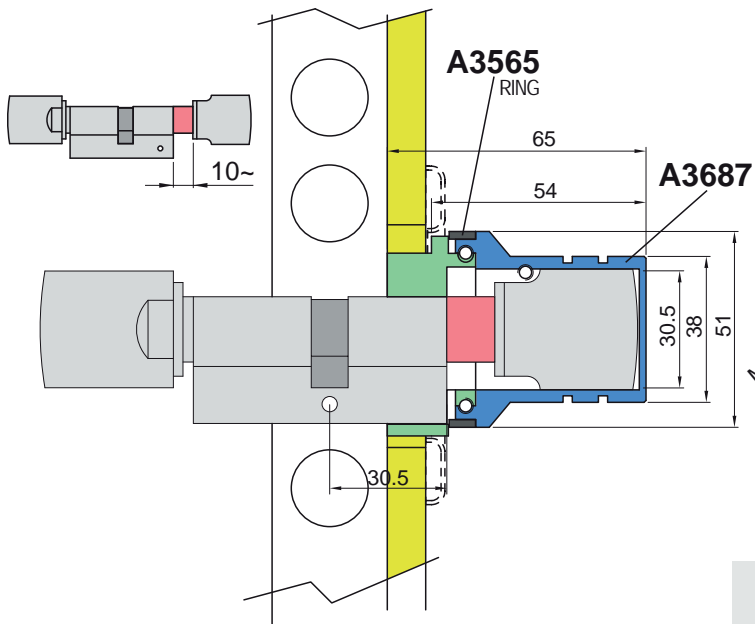
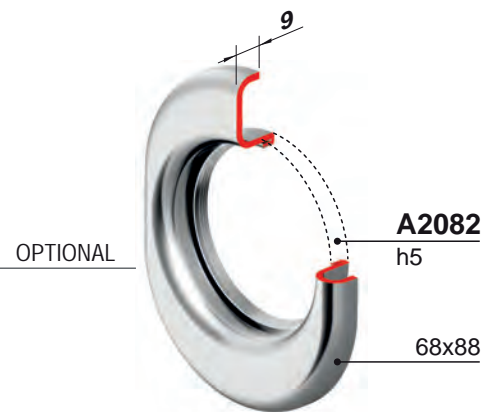
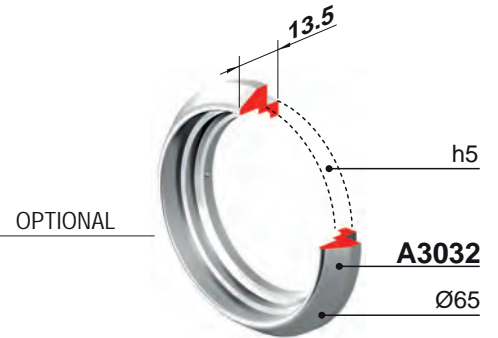
- ② Inox PVD gold color
- Ⓜ Inox satin



INOX

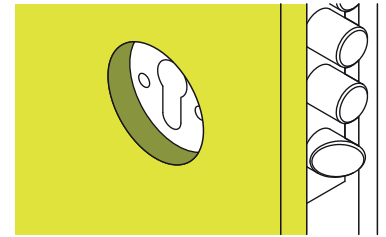
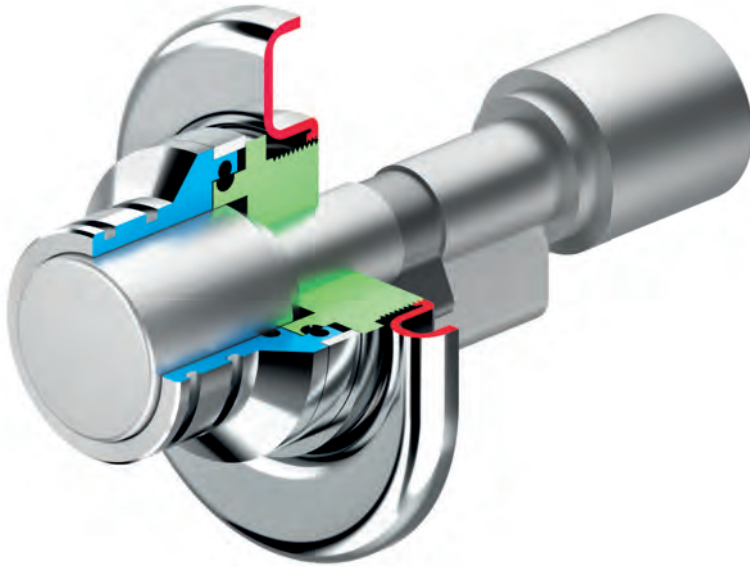


X SIMONS VOSS
XE609
XE610 X ATRA

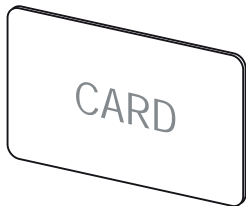


FINITURE / FINISHES

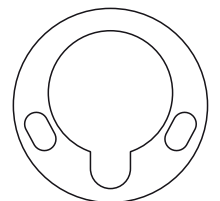
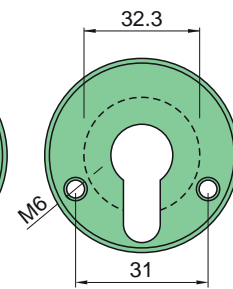
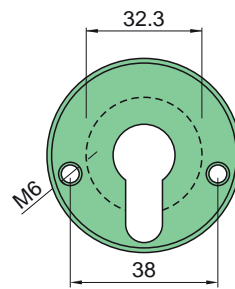
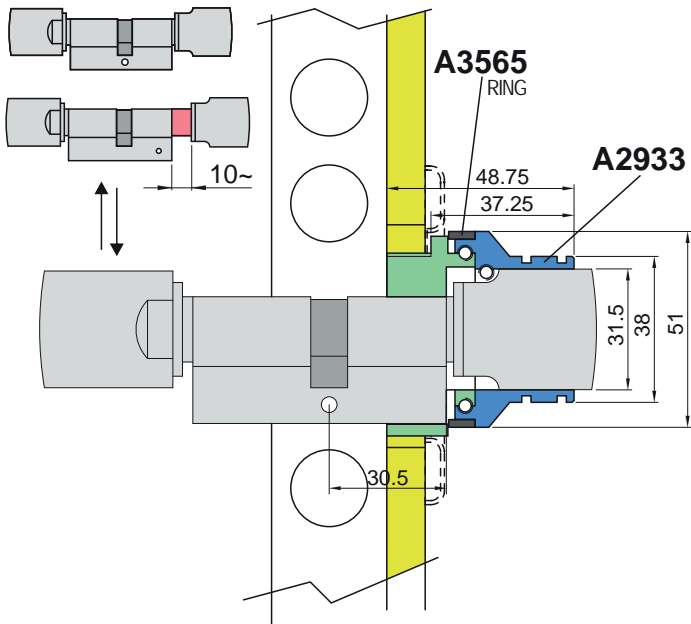
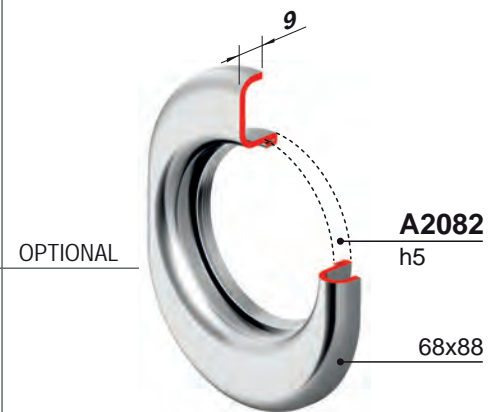
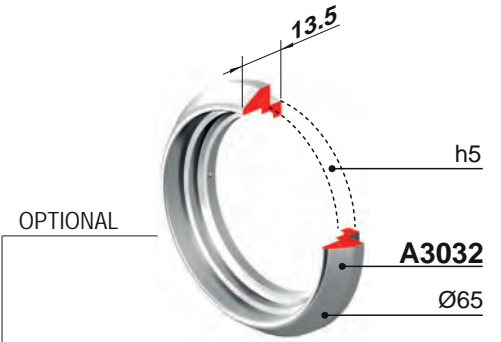
- ② Inox PVD gold color
- Ⓜ Inox satin



INOX



X SIMONS VOSS
XE602
XE608 X ATRA



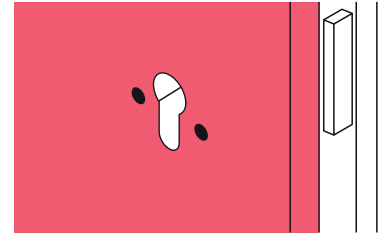
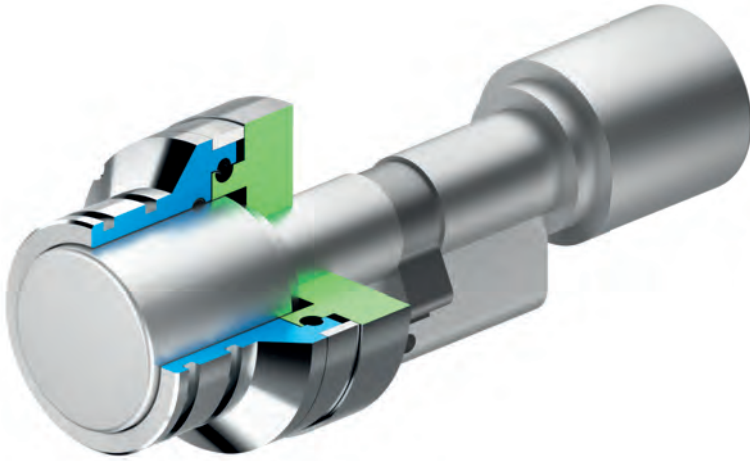
A2935

A3118
X ATRA

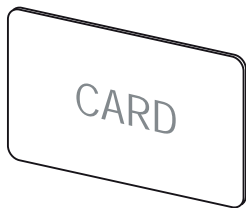
Sp. 8/10 - A3583
Sp. 20/10 - A3584

FINITURE / FINISHES

- ② Inox PVD gold color
- Ⓜ Inox satin



INOX

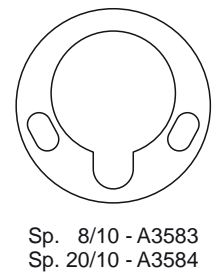
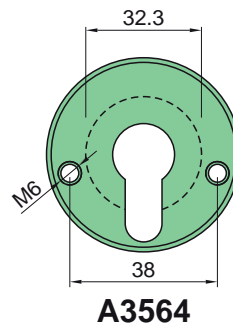
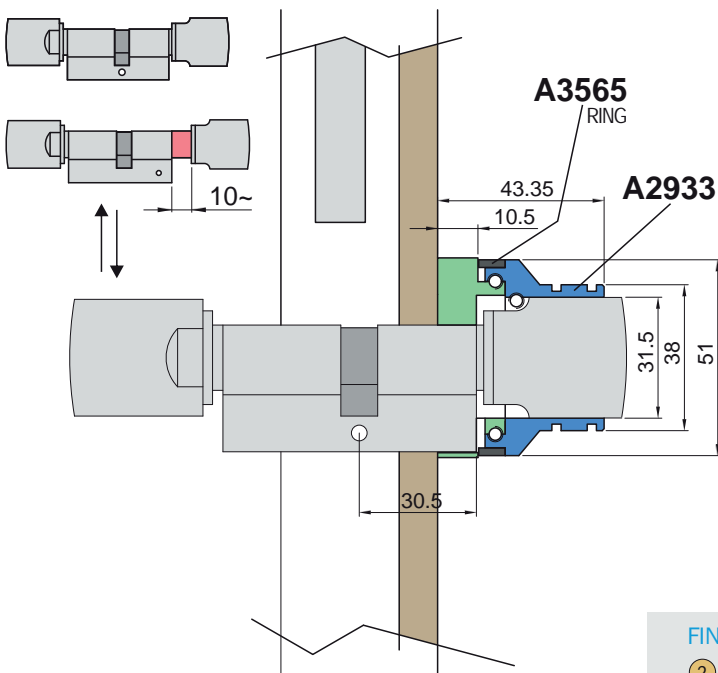


OPTIONAL



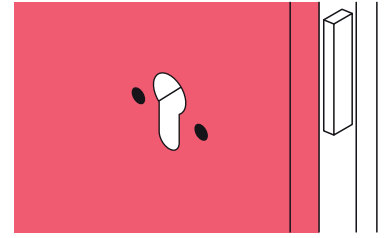
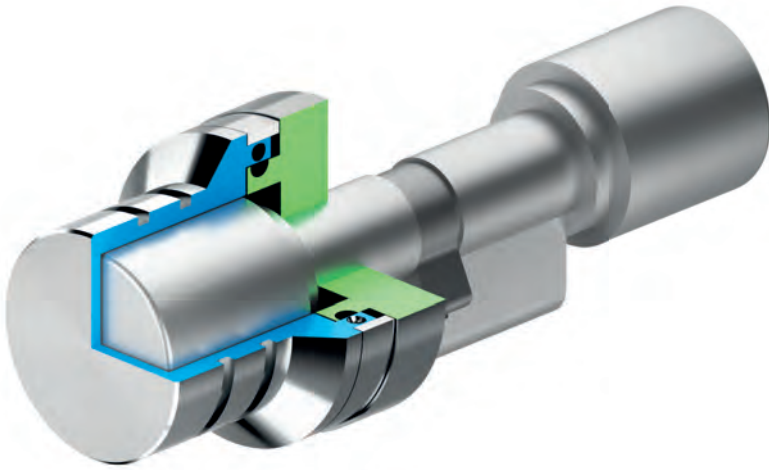
KT072
68x88

X SIMONS VOSS XE605



FINITURE / FINISHES

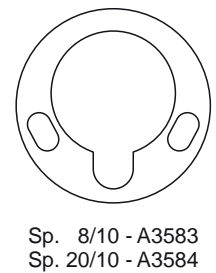
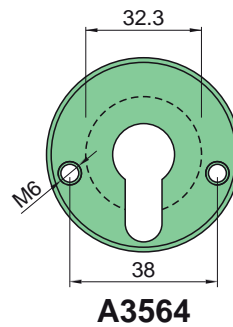
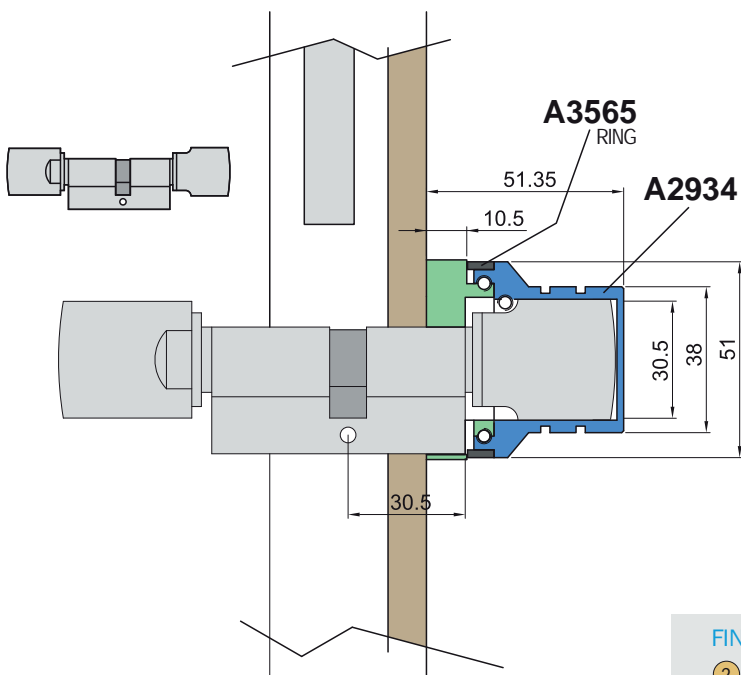
- ② Inox PVD gold color
- Ⓜ Inox satin



INOX

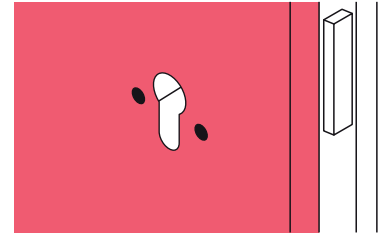
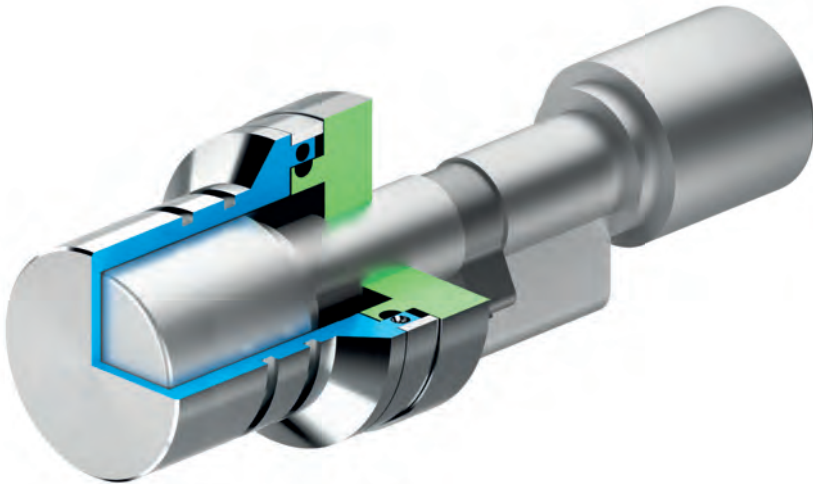


X SIMONS VOSS XE606

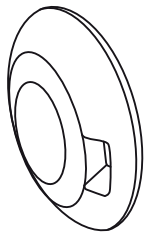


FINITURE / FINISHES

- ② Inox PVD gold color
- Ⓜ Inox satin



INOX

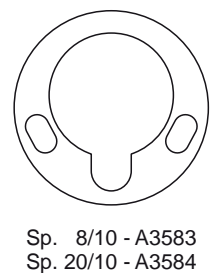
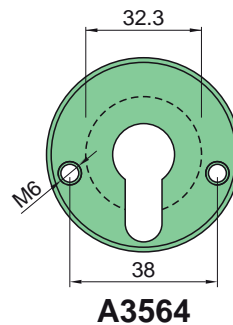
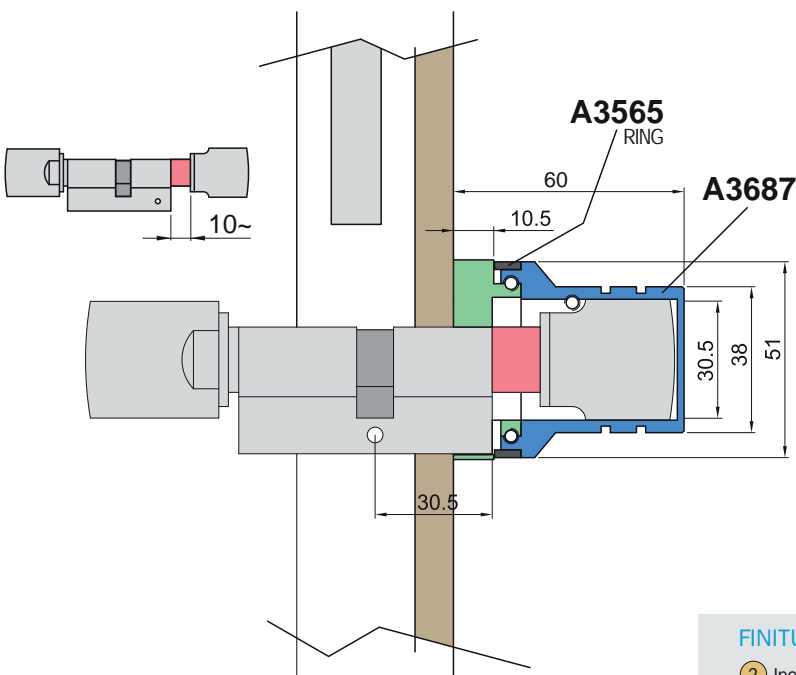


OPTIONAL



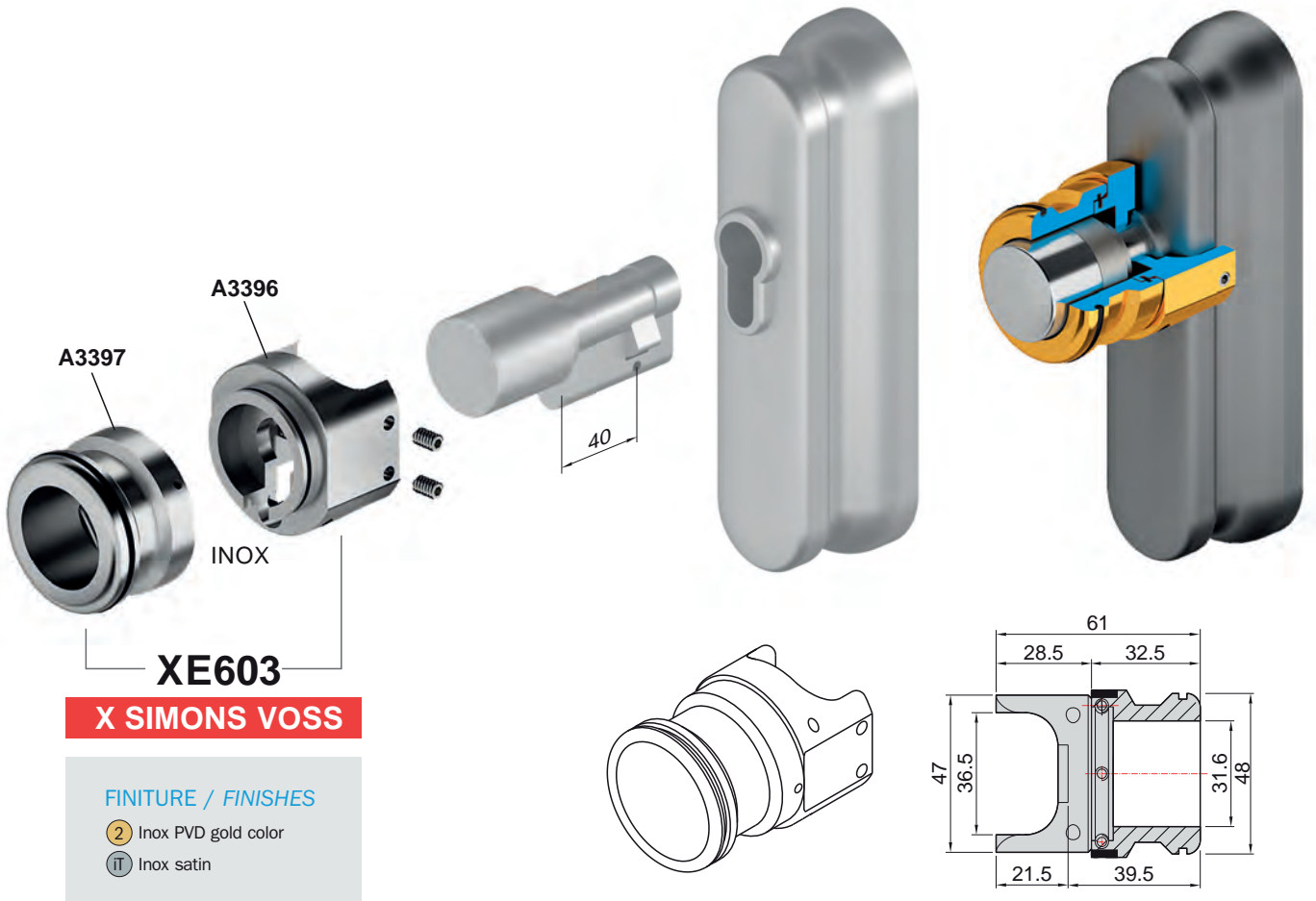
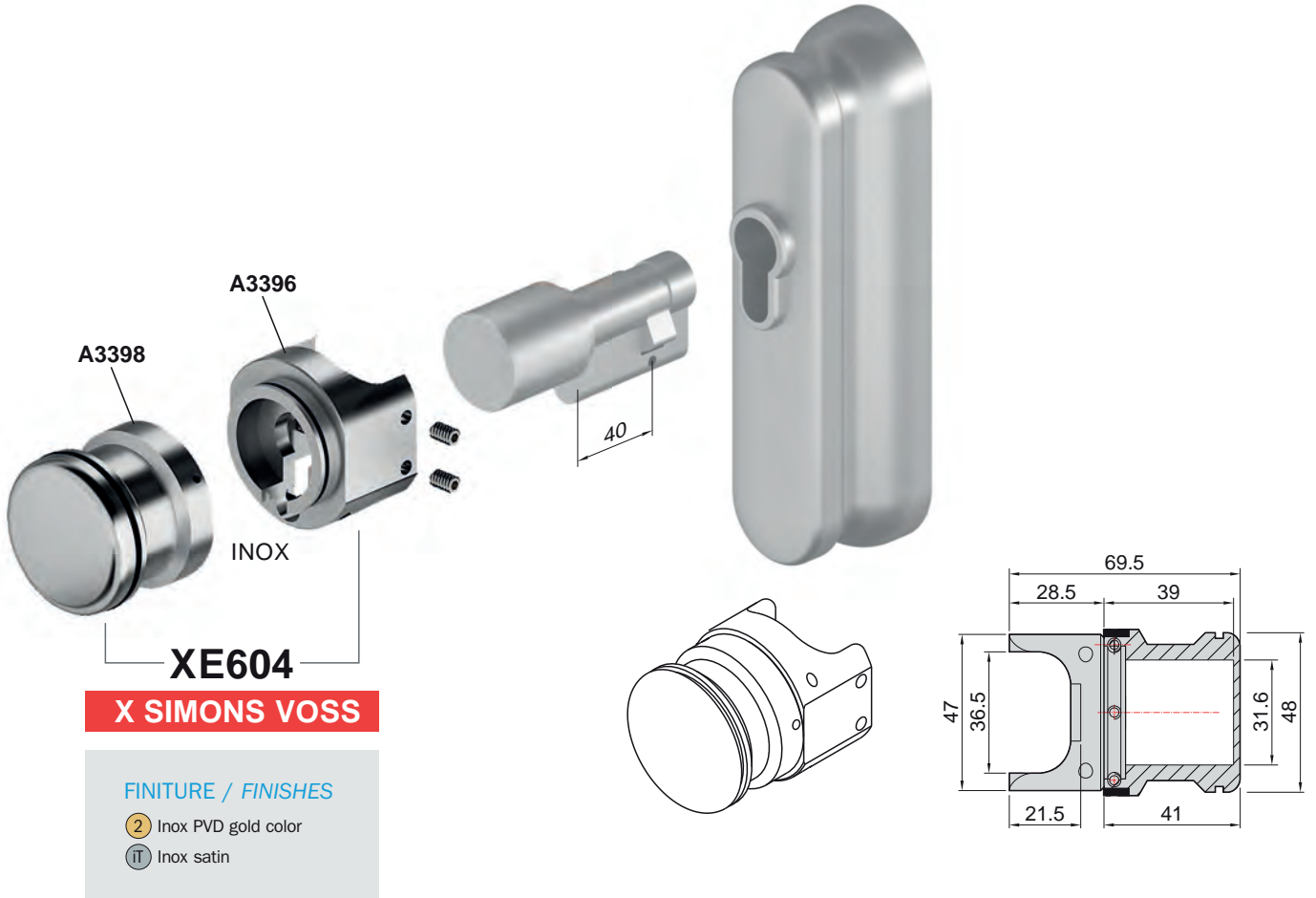
KT072
68x88

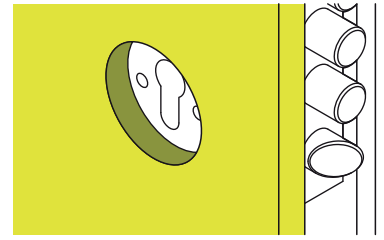
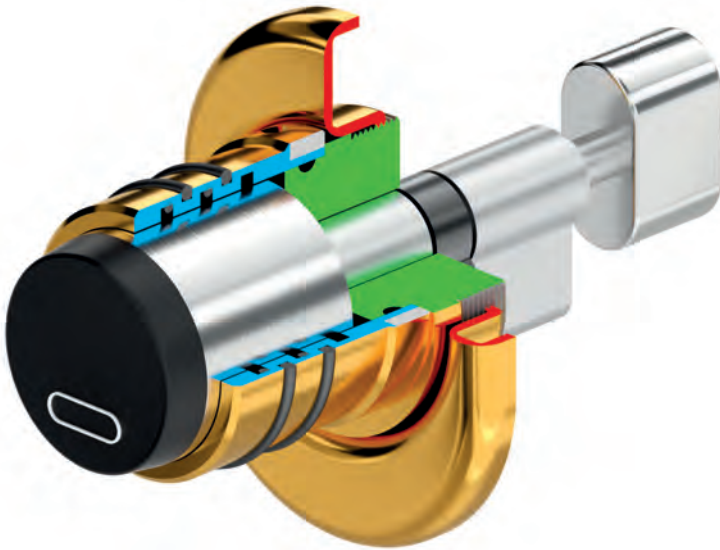
X SIMONS VOSS XE611



FINITURE / FINISHES

- ② Inox PVD gold color
- Ⓜ Inox satin



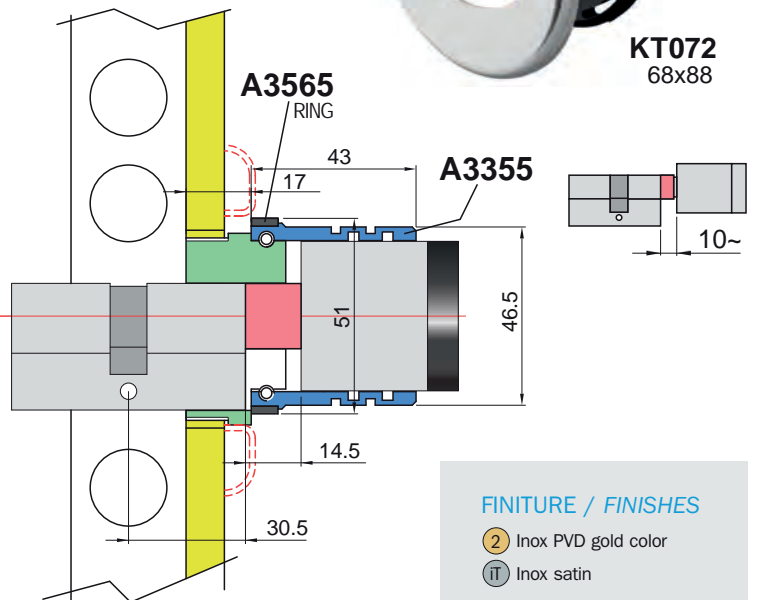
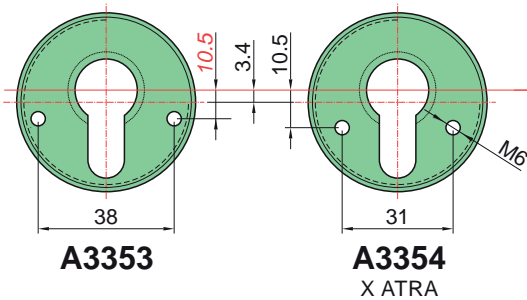
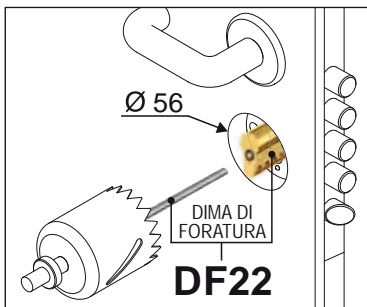
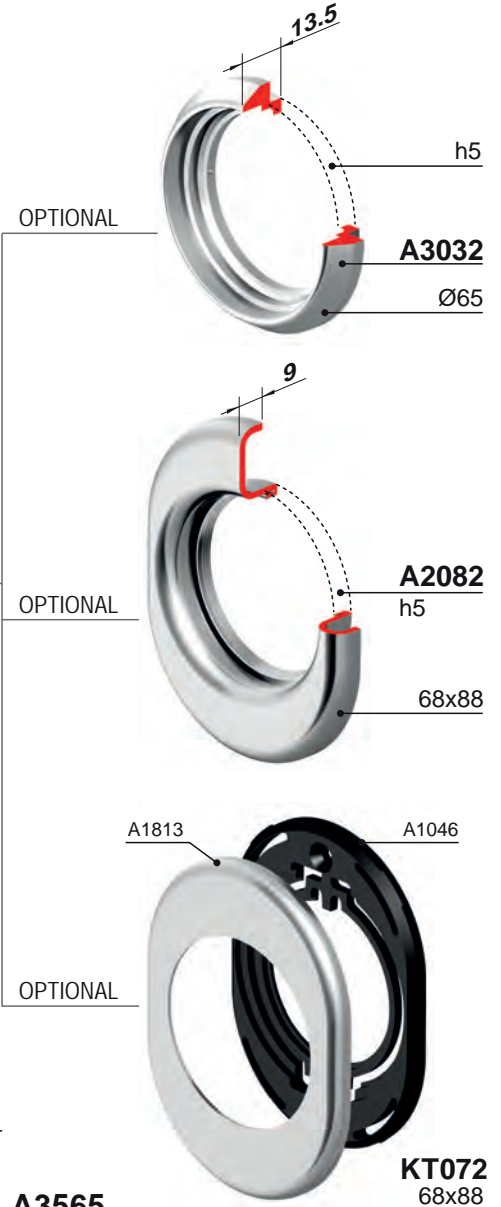


INOX



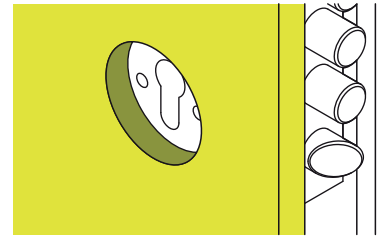
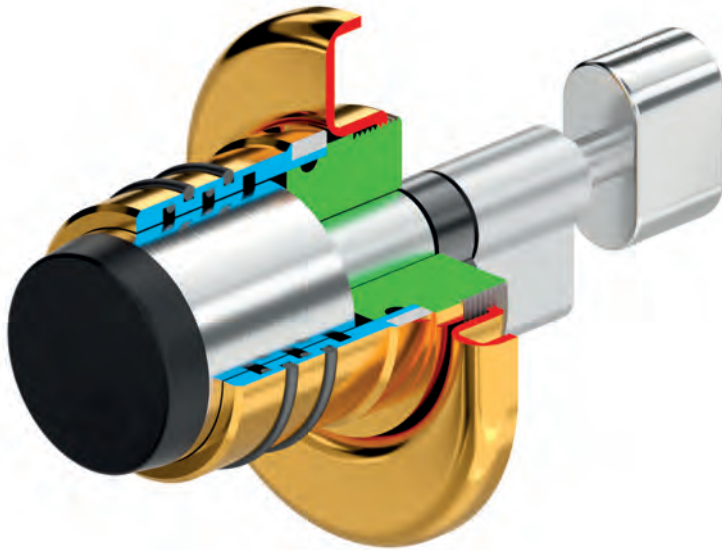
X EVVA

XE620
XE630 X ATRA



FINITURE / FINISHES

- ② Inox PVD gold color
- Ⓜ Inox satin

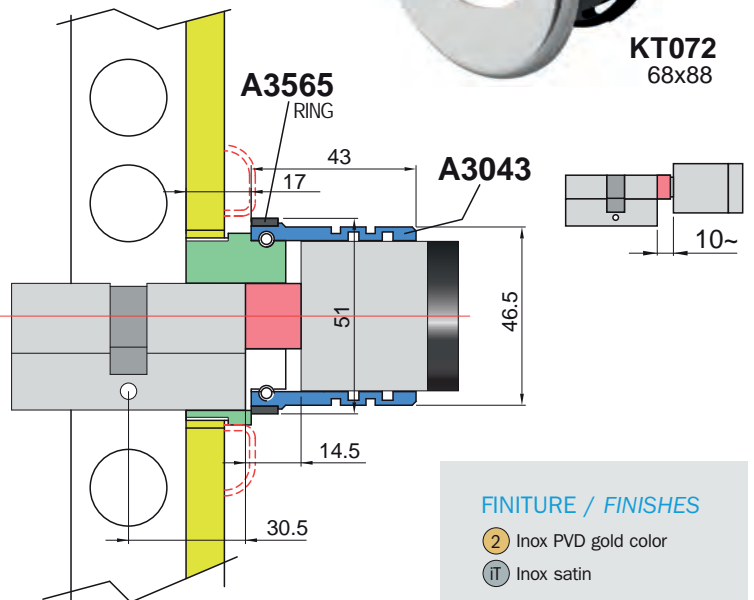
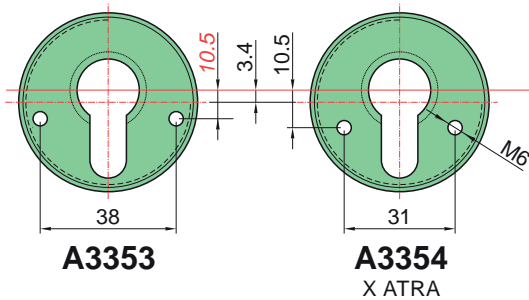
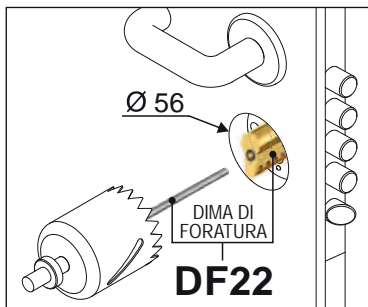
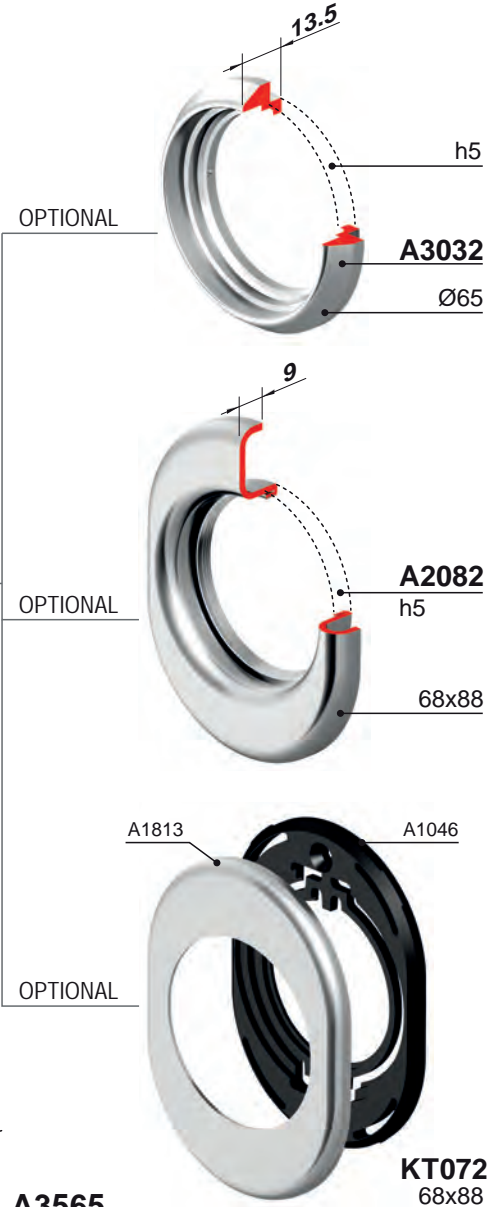


INOX



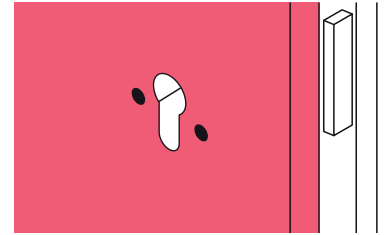
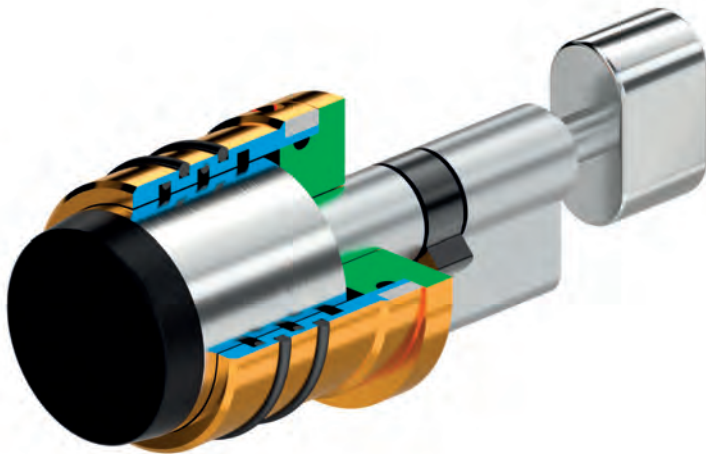
X SALTO

XE640
XE650 X ATRA



FINITURE / FINISHES

- Inox PVD gold color
- Inox satin



INOX



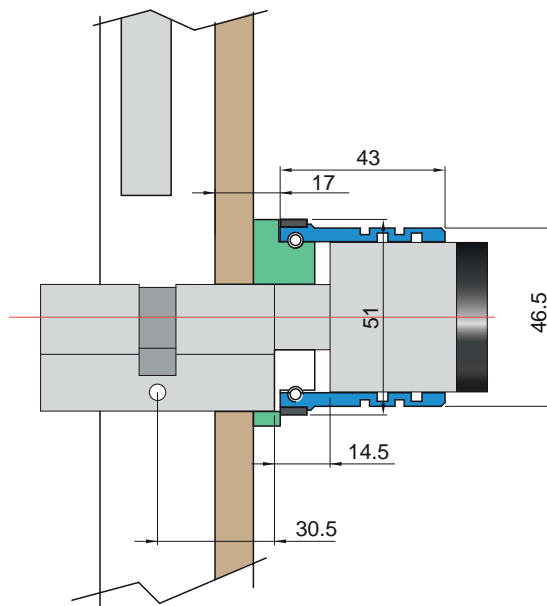
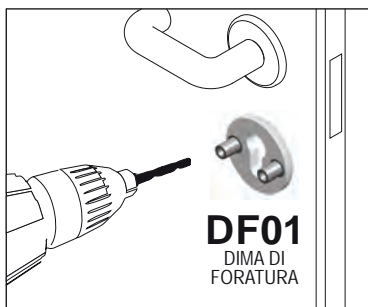
OPTIONAL



KT072
68x88

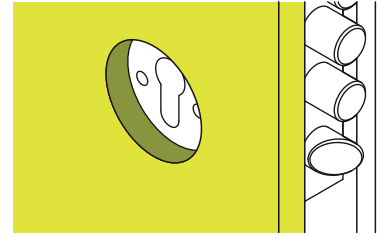
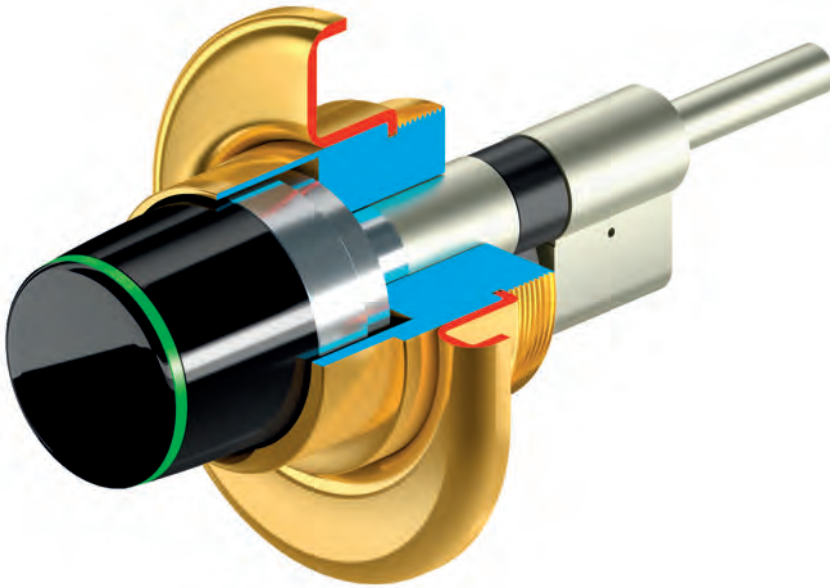
X SALTO

XE641W
XE651W X ATRA



FINITURE / FINISHES

- ② Inox PVD gold color
- Ⓜ Inox satin

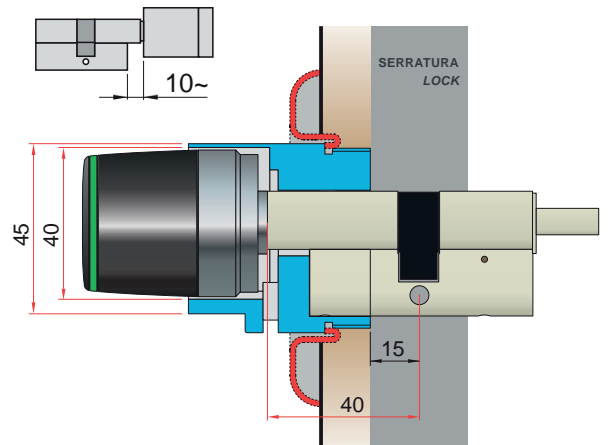
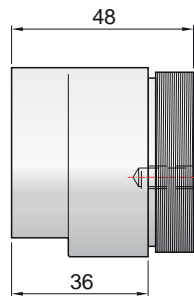
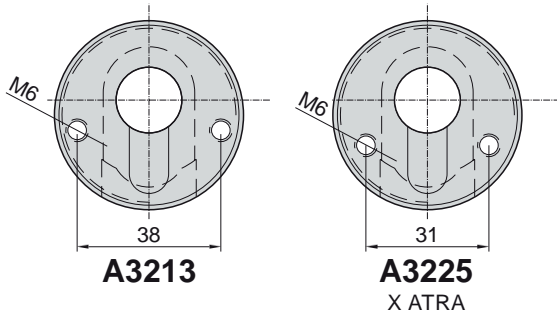
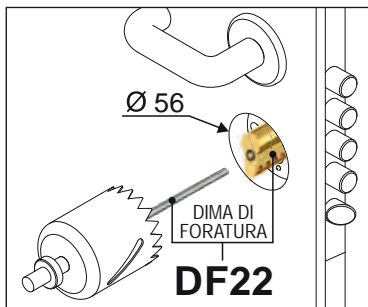
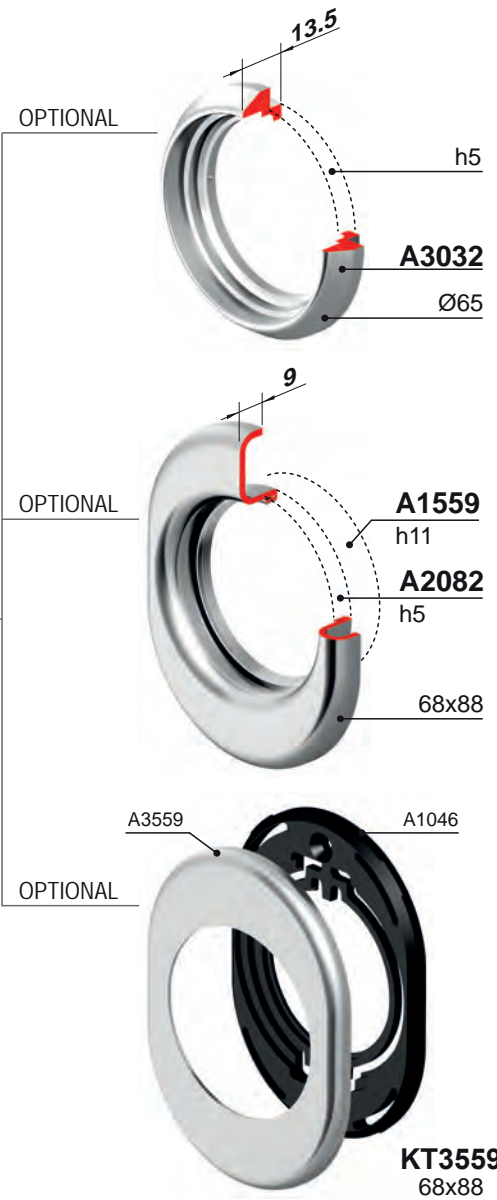


INOX



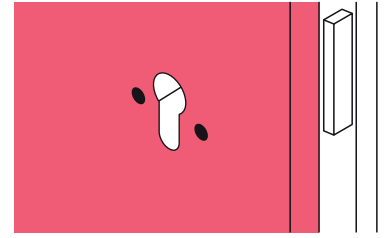
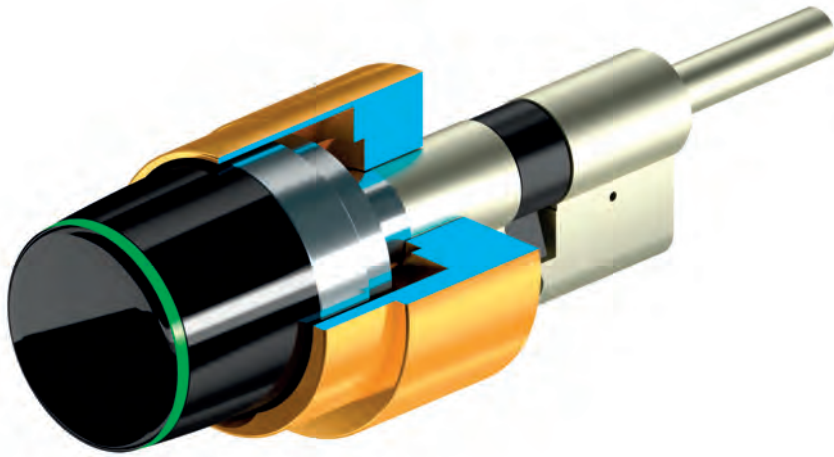
X ISEO

XE720LB
XE730LB X ATRA



FINITURE / FINISHES

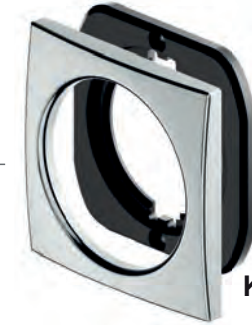
- ② Inox PVD gold color
- Ⓜ Inox satin



INOX



OPTIONAL



KT3794

OPTIONAL

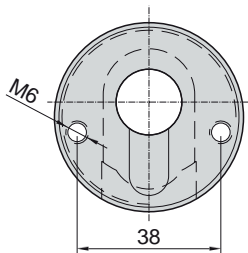
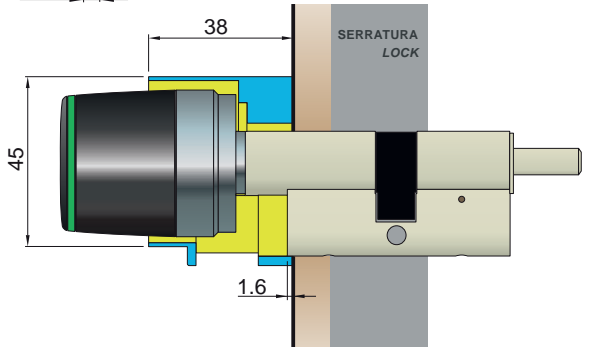
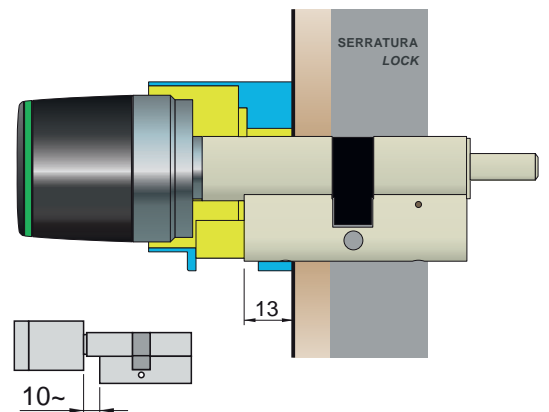


KT3559

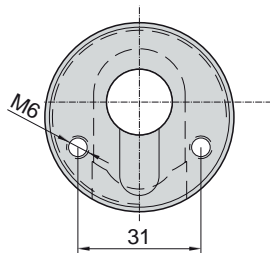
X ISEO

XE4528

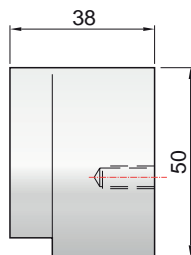
XE4529 X ATRA



A4528



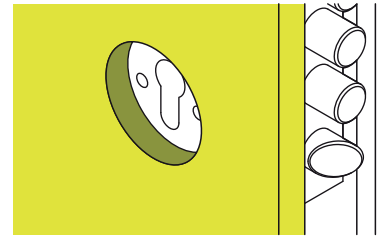
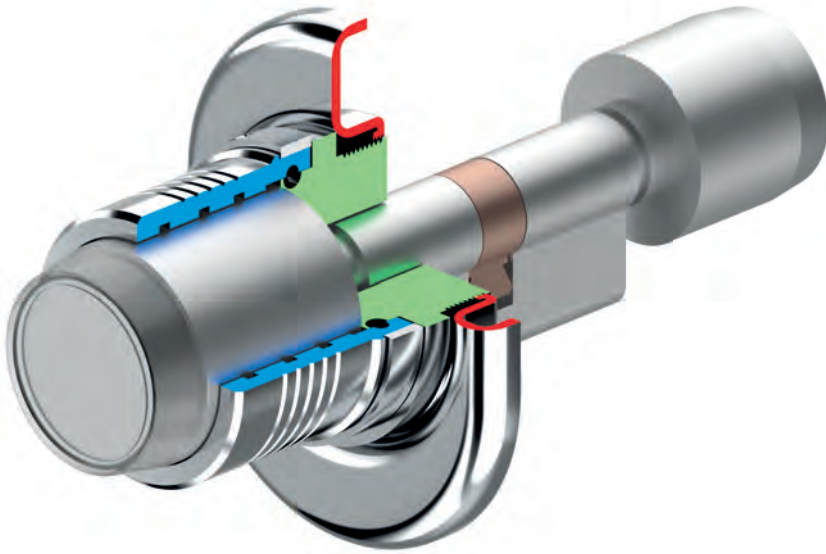
**A4529
X ATRA**



FINITURE / FINISHES

② Inox PVD gold color

Ⓜ Inox satin

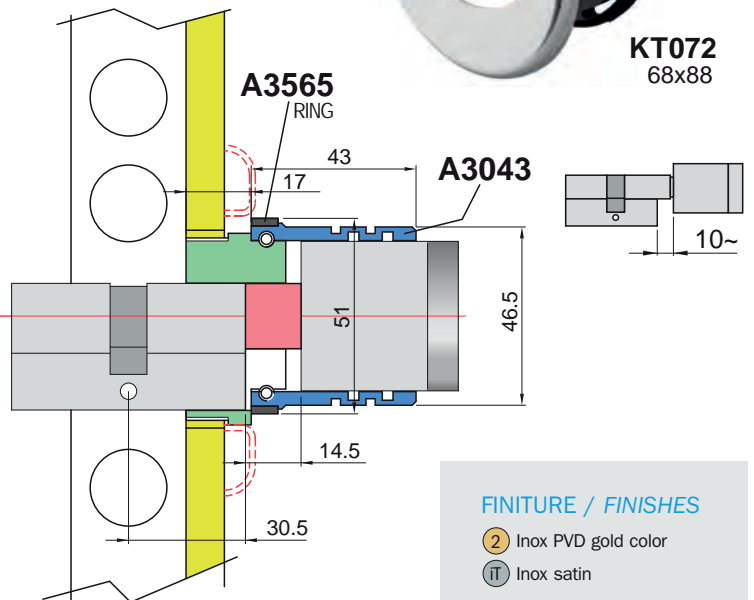
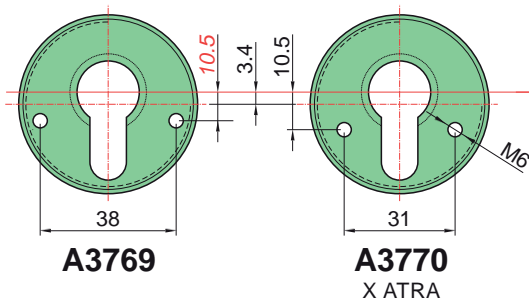
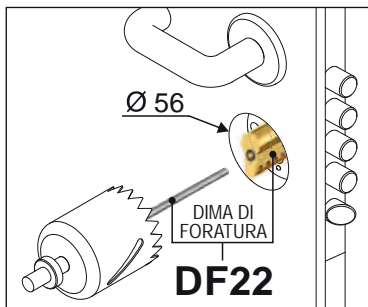
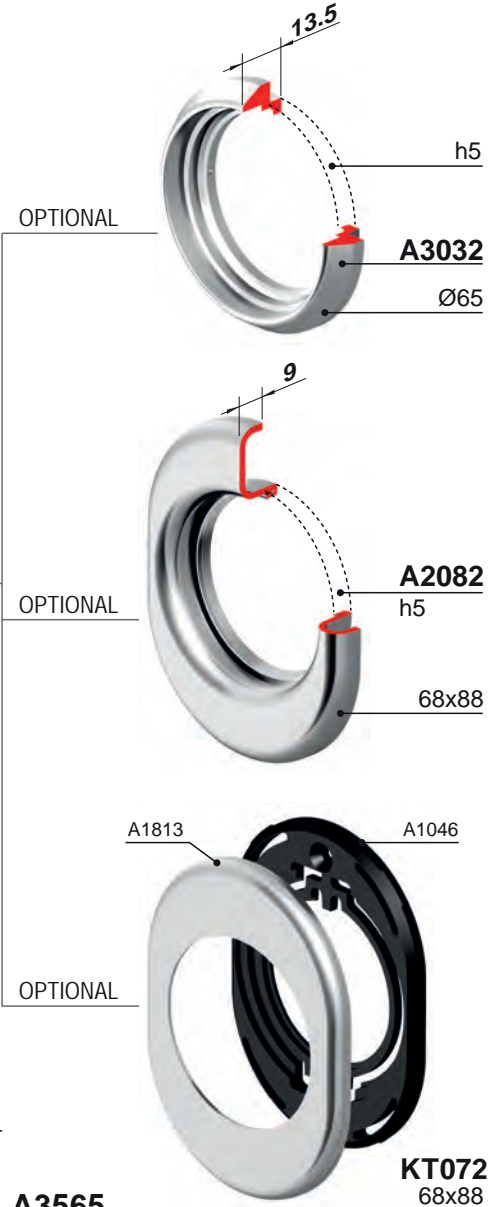


INOX



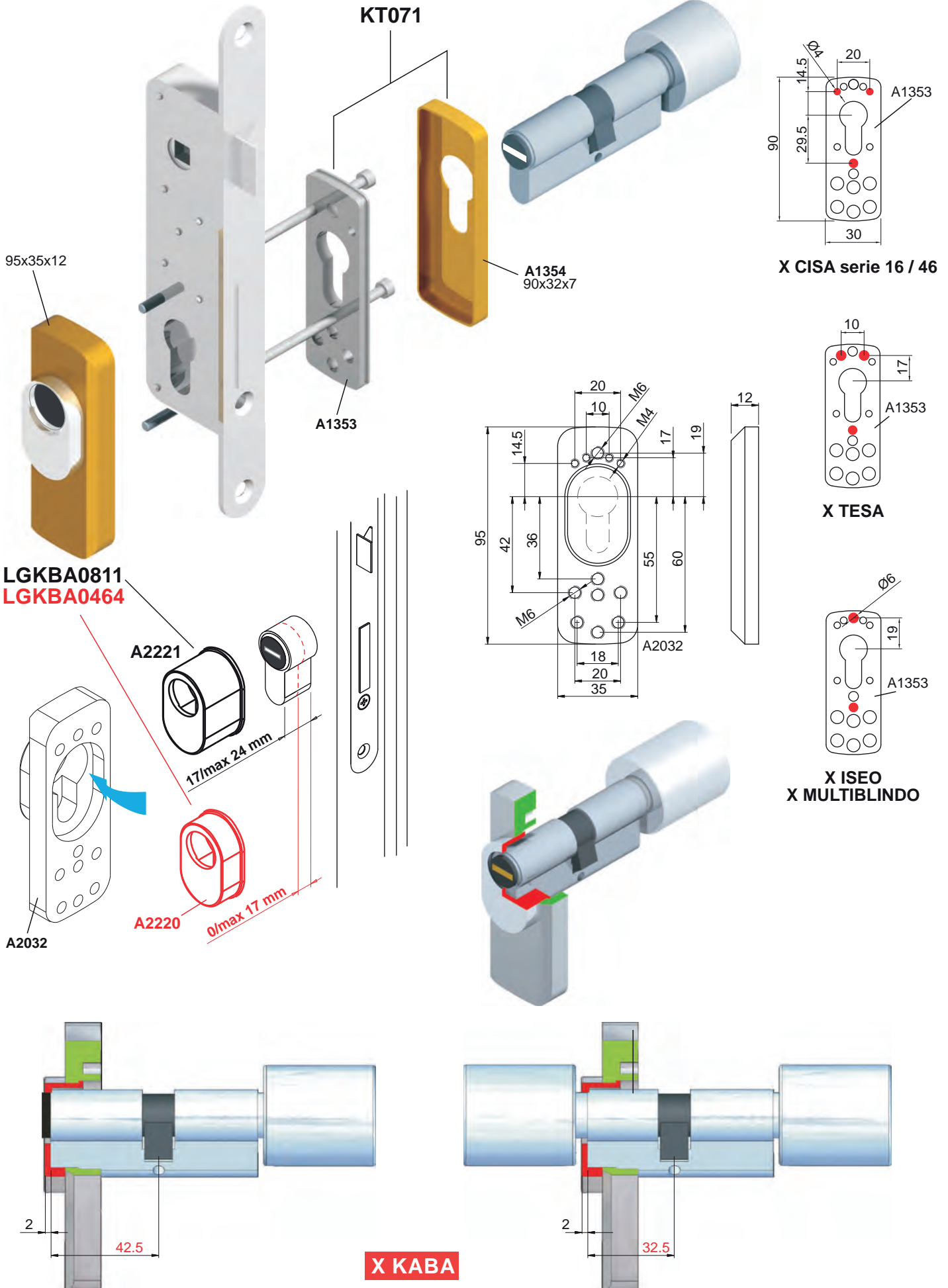
X DOM

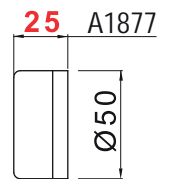
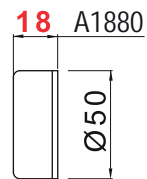
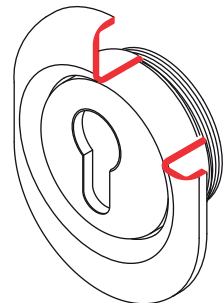
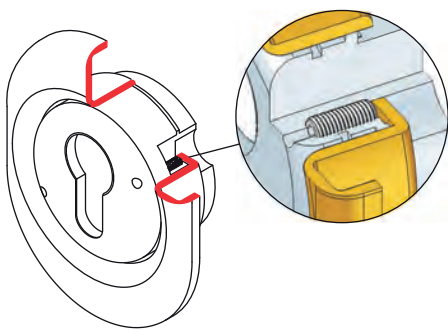
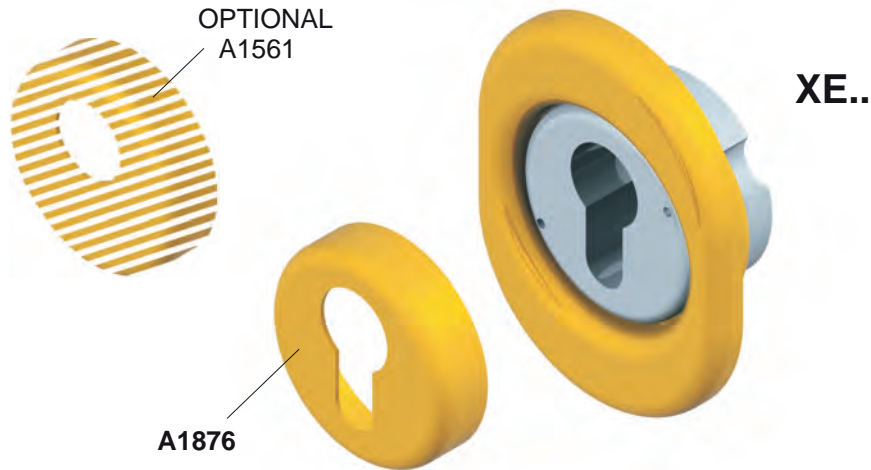
XE660
XE670 X ATRA



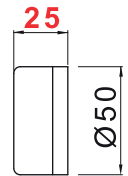
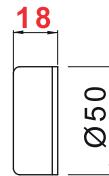
FINITURE / FINISHES

- ② Inox PVD gold color
- Ⓜ Inox satin

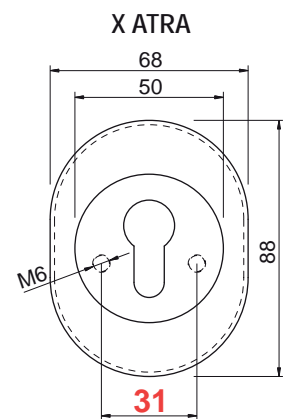
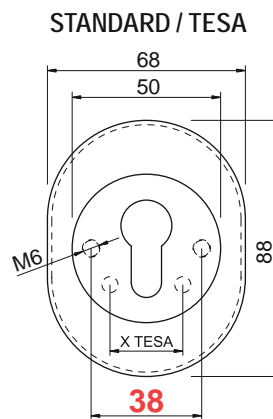
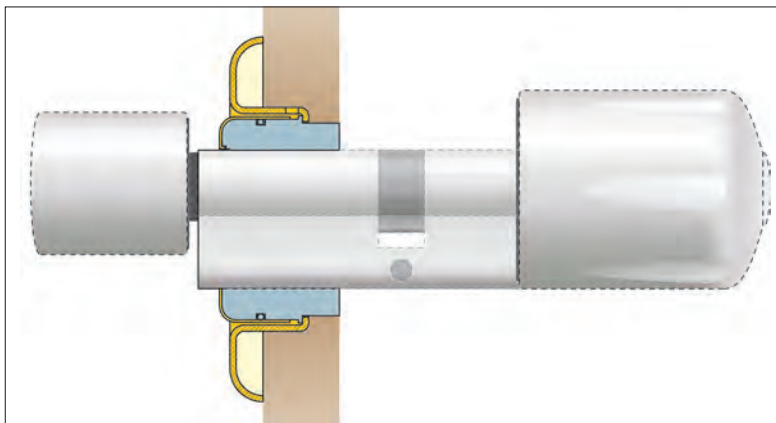




STANDARD / TESA	XE200018	XE200025
X ATRA	XE300018	XE300025



STANDARD / TESA	XE250018	XE250025
X ATRA	XE350018	XE350025

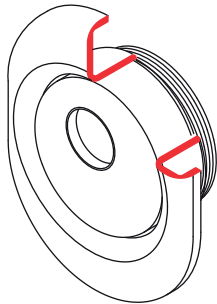
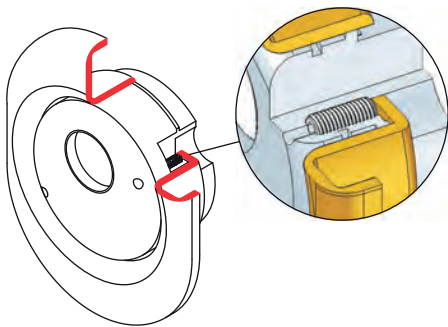
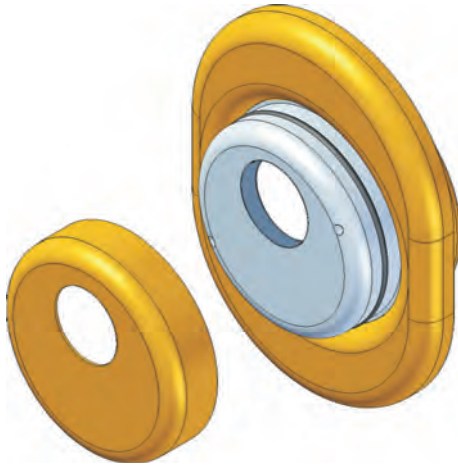


FINITURE / FINISHES

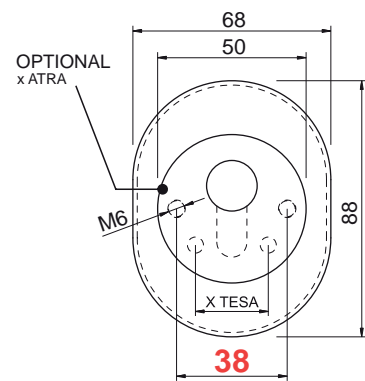
- (C) Cromo lucido
Bright chrome
- (IT) Inox satinato
Satin stainless steel
- (BS) Bronzo satinato
Satin bronze
- (TT) Ottone satinato
Satin brass
- (T) Cromo satinato
Satin chrome
- (B) Bronzo
Bronze
- (2) PVD Ottone
PVD Brass



XE5..



STANDARD / TESA

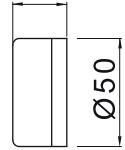


STANDARD / TESA
X ATRA

19.5



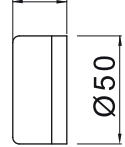
29



19.5



29

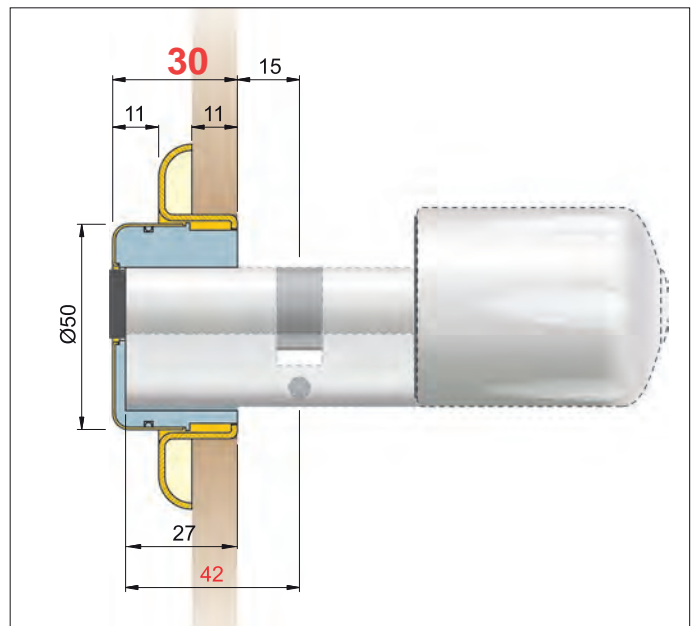
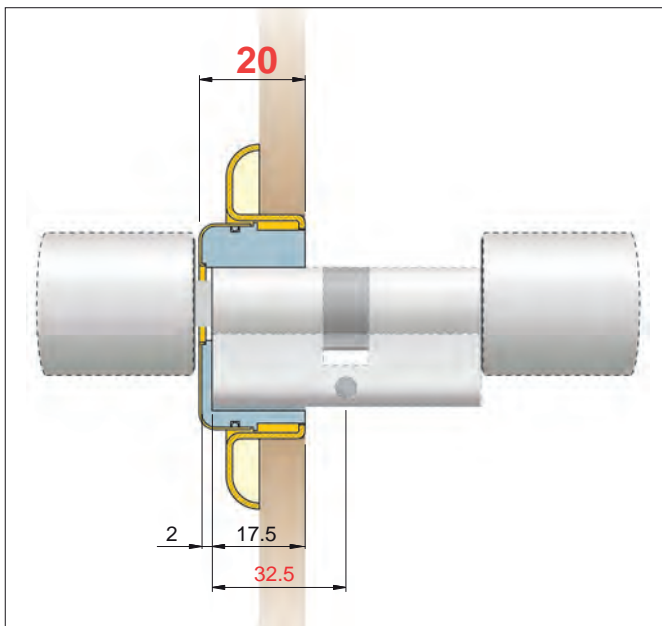
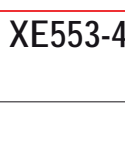


STANDARD / TESA
X ATRA

19.5



29



FINITURE / FINISHES

(C) Cromo lucido
Bright chrome

(IT) Inox satinato
Satin stainless steel

(BS) Bronzo satinato
Satin bronze

(TT) Ottone satinato
Satin brass

(T) Cromo satinato
Satin chrome

(B) Bronzo
Bronze

(2) PVD Ottone
PVD Brass

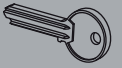


DISec
DEFENDS THE FUTURE

NX LINE

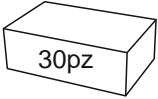
DESIGN PENDING



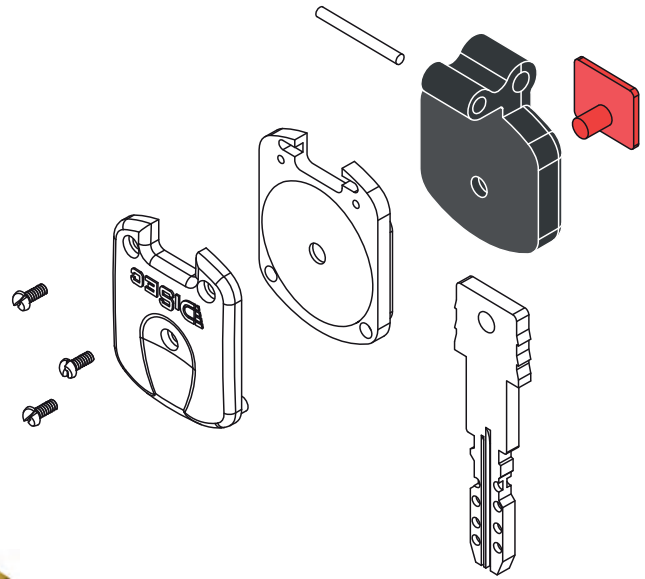
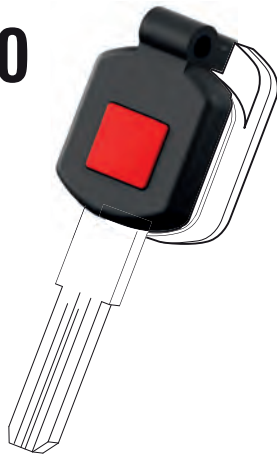


MGKEY30

5pz x tipo
tot. 30pz x BOX



VIDEO:



Utilizzabile su tutti i prodotti dove vengono usate le chiavi sottoindicate.
La gamma sarà estesa anche su nuovi profili.
*Usable on all those products that at present mount the keys indicated below.
The range will be soon expanded to new keyways.*

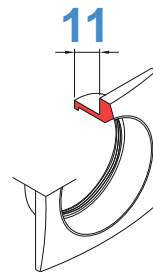
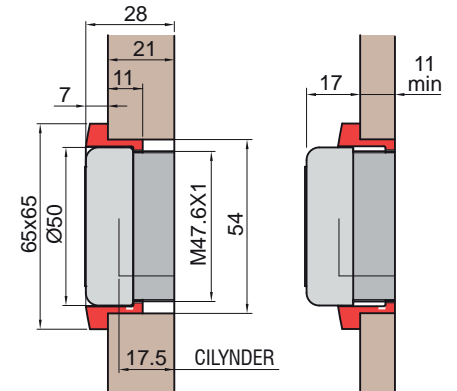
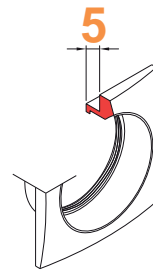
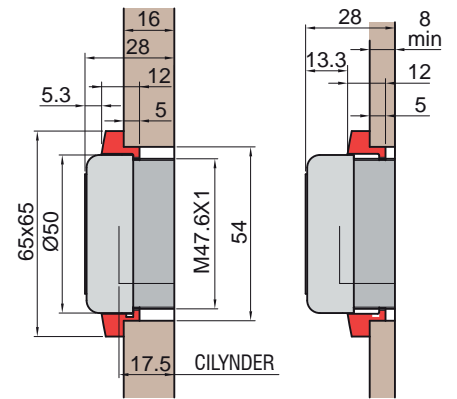
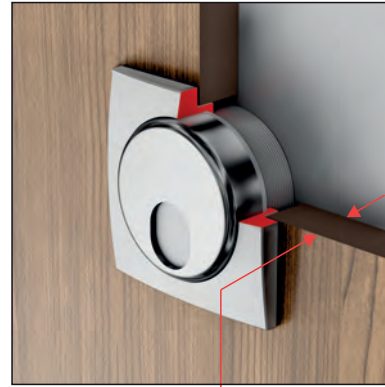
x KMOP85; x KMOP86; x KMOP86A; x KMOP87; x KMOP87A; x KMOP88; x KMOP49

	<p>KM4221 x KABA</p>	<p>KM4222 x MOTTURA</p>	<p>KM4220 x CISA</p>	<p>KM4225 x EVVA</p>	<p>KM4224 x EVVA</p>	<p>KM4223 x SECUREMME</p>
	<p>KM4221 x KESO</p>	<p>KM4502 x WINKHAUS</p>	<p>KM4503 x WINKHAUS</p>	<p>KM4553 x WINKHAUS</p>	<p>KM4504 x ISEO</p>	

DESIGN PENDING

FINITURE FINISHES

- 8 PVD Nero lucido
PVD Bright black
- IT Inox satinato
Satin stainless steel
- T Cromo satinato
Satin chrome
- C Cromo lucido
Bright chrome
- 2 PVD Ottone
PVD Brass



**Disponibile per serrature Omega e per serrature 3D.
Available for Omega and 3D locks.**



4GN2QB25..
4GN3QB25..
x atra



3GN2QB25..
3GN3QB25..
x atra



3GN2Q25..
3GN3Q25..
x atra



MRQB2725..
MRQB3725..
x atra



MRQA2725..
MRQA3725..
x atra



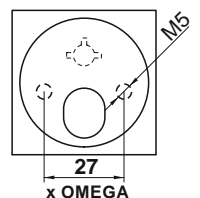
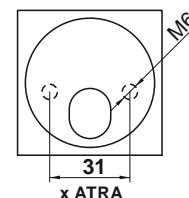
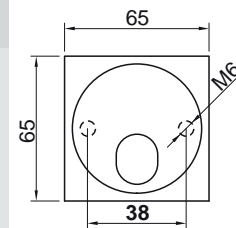
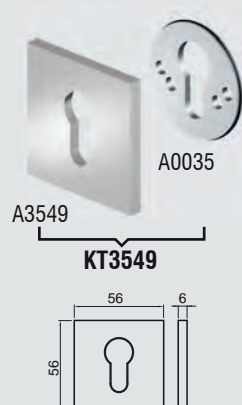
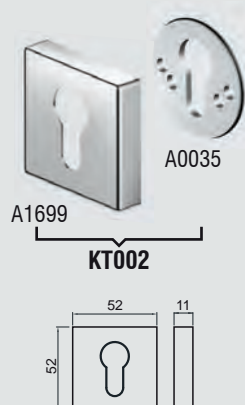
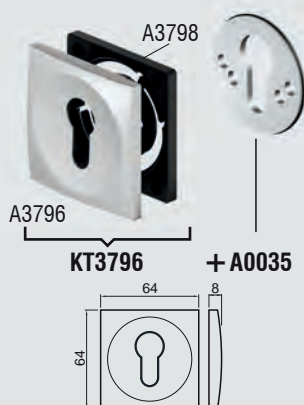
MRQB2925..
MRQB3925..
x atra



MRQA2925..
MRQA3925..
x atra

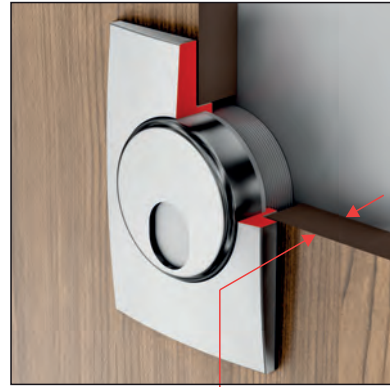


OPTIONAL

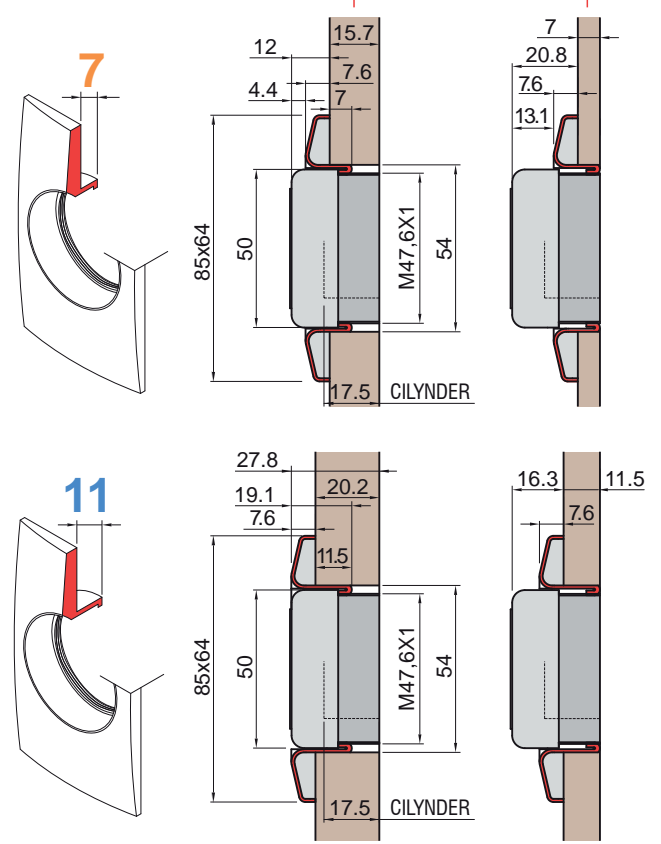


DESIGN PENDING

 KEY KMOP47	 4GN2WB25.. 4GN3WB25.. x atra	 4GN2W25.. 4GN3W25.. x atra	 3G2WB25.. 3G3WB25.. x atra 3G8WB2001 x omega	 3G2W25.. 3G3W25.. x atra 3G8W2001 x omega	 MRWB2725.. MRWB3725.. x atra	 MRWA2725.. MRWA3725.. x atra	 MRWB2925.. MRWB3925.. x atra MRWB1082501 x omega	 MRWA2925.. MRWA3925.. x atra MRWA1082501 x omega	 KEY KMOP3G	 KEY KMOP96	 KEY KMOP42
--	---	---	---	---	---	---	--	--	---	---	---

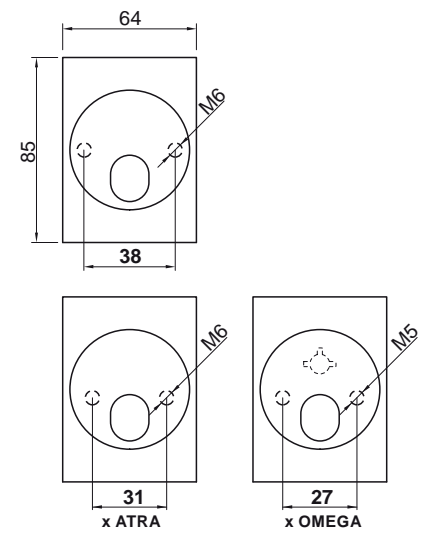
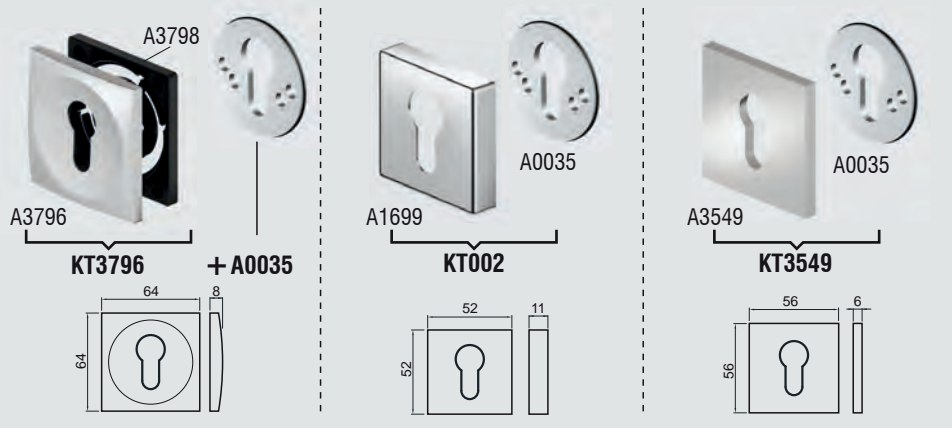


- FINITURE FINISHES**
- 8 PVD Nero lucido
PVD Bright black
 - IT Inox satinato
Satin stainless steel
 - T Cromo satinato
Satin chrome
 - C Cromo lucido
Bright chrome
 - 2 PVD Ottone
PVD Brass



**Disponibile per serrature Omega e per serrature 3D.
Available for Omega and 3D locks.**

OPTIONAL



KEY
KMOP47



4GN2K25D1..P
x atra **4GN3K25D1..P**



4GN2W25D1..P
x atra **4GN3W25D1..P**

KEY
KMOP3G



3G2K25D1..P
x atra **3G3K25D1..P**



3G2W25D1..P
x atra **3G3W25D1..P**

KEY
KMOP96



MRK127-25D1..P
x atra **MRK137-25D1..P**



MRW127-25D1..P
x atra **MRW137-25D1..P**

KEY
KMOP42



MRK129-25D1..P
x atra **MRK139-25D1..P**
x omega **MRK108-2501P**



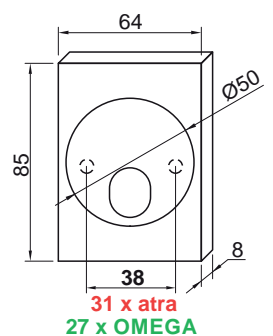
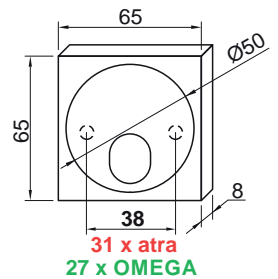
MRW129-25D1..P
x atra **MRW139-25D1..P**
x omega **MRW108-2501P**



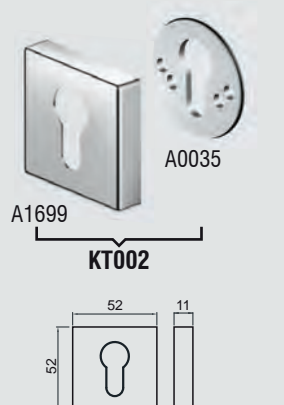
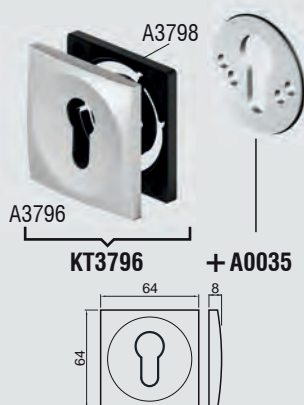
Disponibile per serrature Omega e per serrature 3D.
Available for Omega and 3D locks.

**FINITURE
FINISHES**

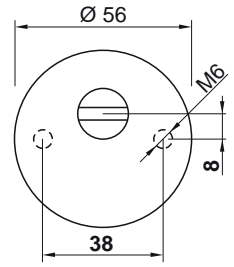
- 8 PVD Nero lucido
PVD Bright black
- T Inox satinato
Satin stainless steel
- T Cromo satinato
Satin chrome
- C Cromo lucido
Bright chrome
- 2 PVD Ottone
PVD Brass



OPTIONAL



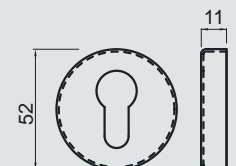
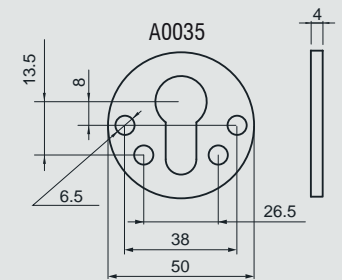
DESIGN PENDING



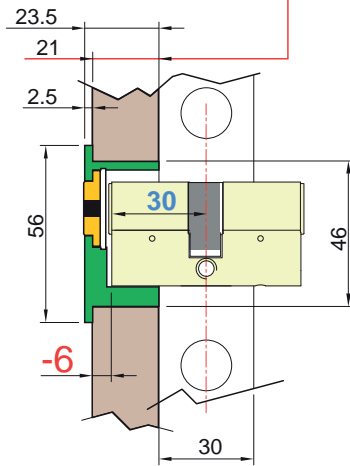
FINITURE FINISHES

- 8 PVD Nero lucido
PVD Bright black
- IT Inox satinato
Satin stainless steel
- T Cromo satinato
Satin chrome
- C Cromo lucido
Bright chrome
- 2 PVD Ottone
PVD Brass

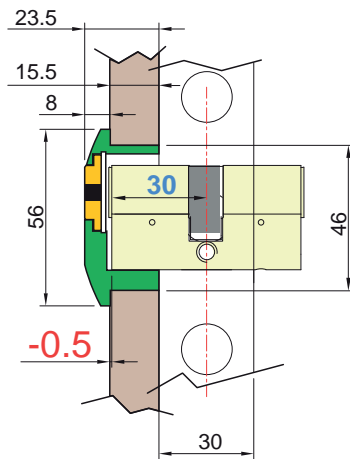
OPTIONAL



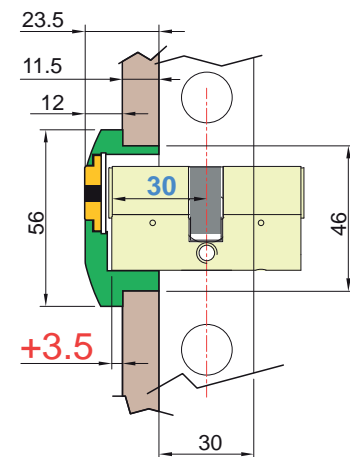
NX2R..



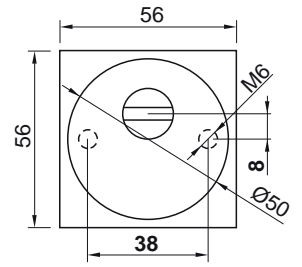
NX8R..



NX12R..



DESIGN PENDING



FINITURE FINISHES

- 8 PVD Nero lucido
PVD Bright black
- IT Inox satinato
Satin stainless steel
- T Cromo satinato
Satin chrome
- C Cromo lucido
Bright chrome
- 2 PVD Ottone
PVD Brass

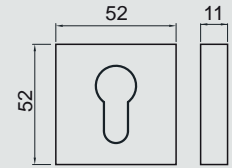
OPTIONAL



A1699

A0035

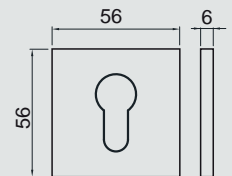
KT002



A3549

A0035

KT3549

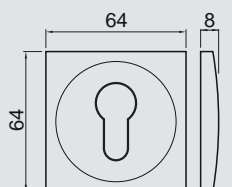


A3796

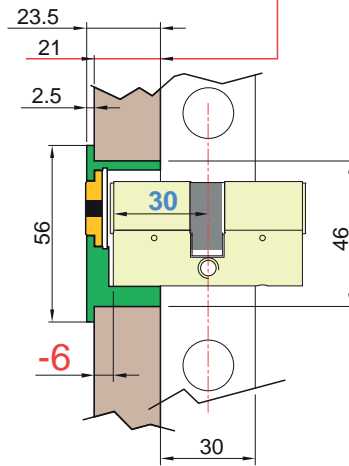
A3798

KT3796

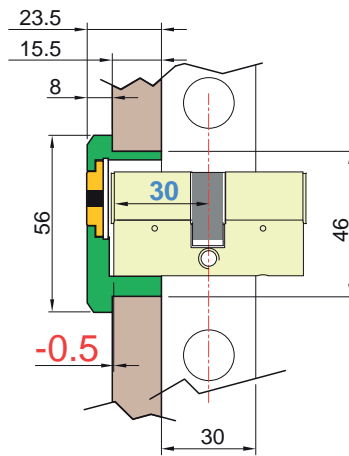
+ A0035



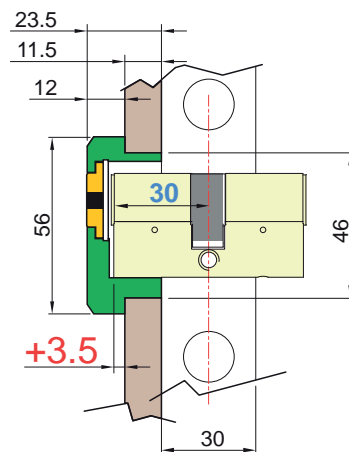
NX2Q..



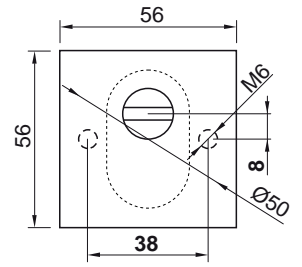
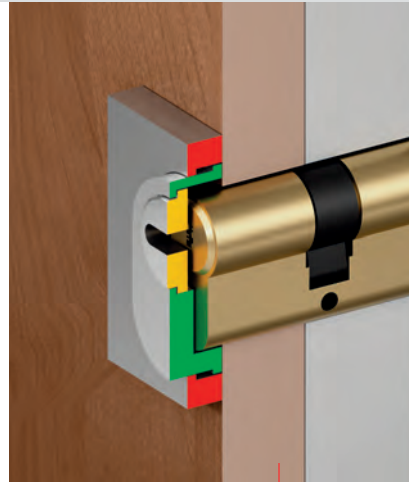
NX8Q..



NX12Q..



DESIGN PENDING



FINITURE FINISHES

8

Ⓜ Inox satinato
Satin stainless steel

Ⓜ Cromo satinato
Satin chrome

Ⓒ Cromo lucido
Bright chrome

Ⓜ PVD Ottone
PVD Brass

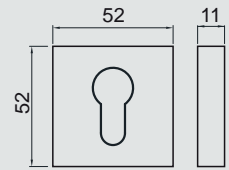
OPTIONAL



A1699

A0035

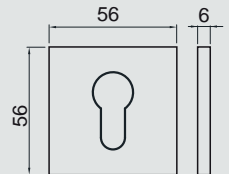
KT002



A3549

A0035

KT3549

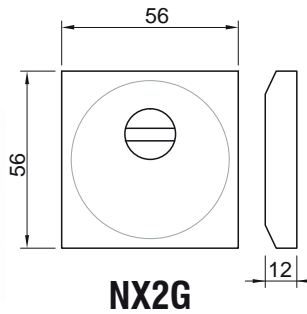
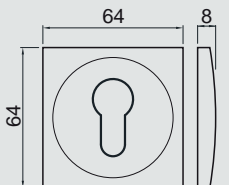


A3796

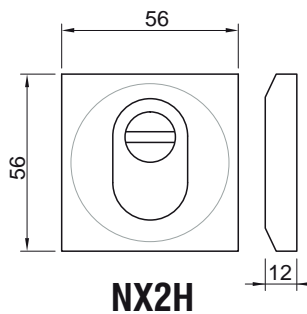
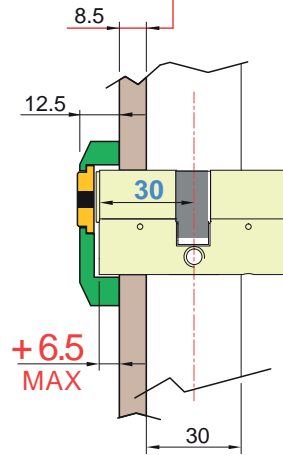
A3798

KT3796

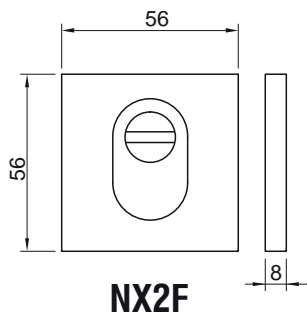
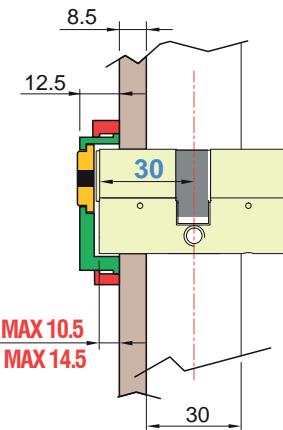
+ A0035



NX2G

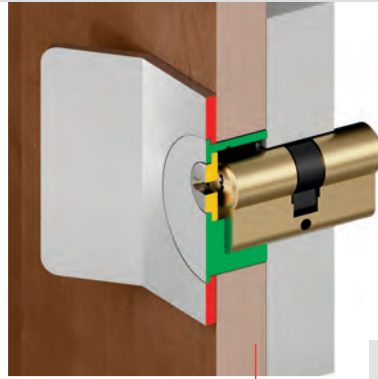


NX2H



NX2F

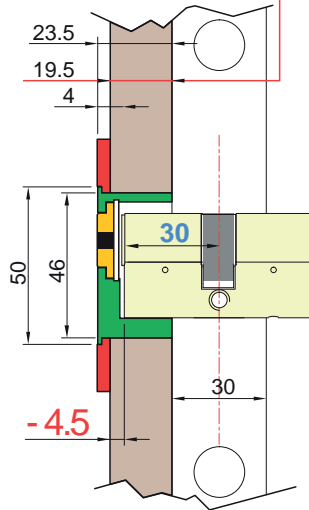
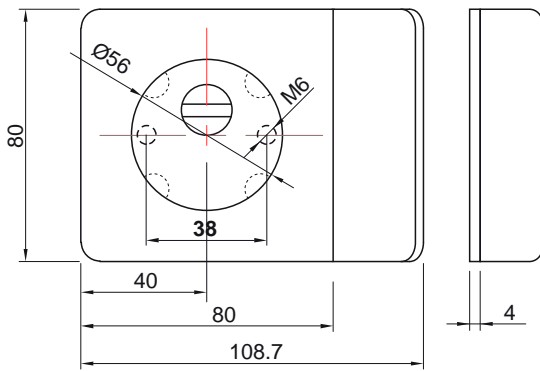
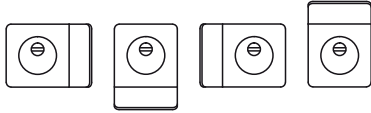
NX2F MAX 10.5
NX2H MAX 14.5



VIDEO:



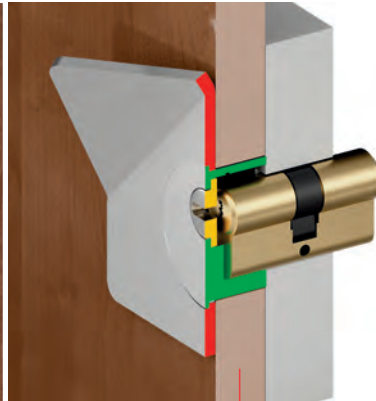
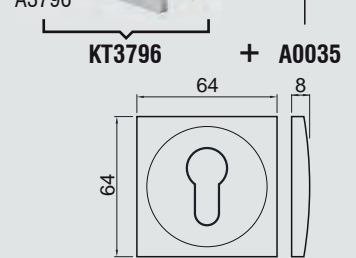
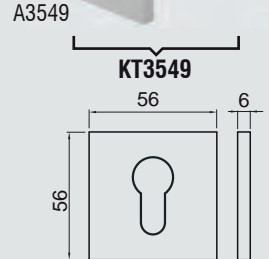
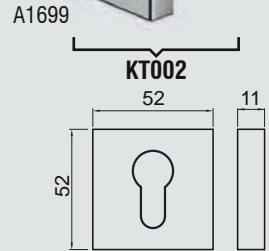
NXPL44
DX/SX



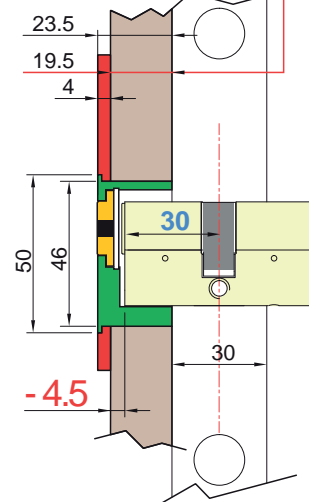
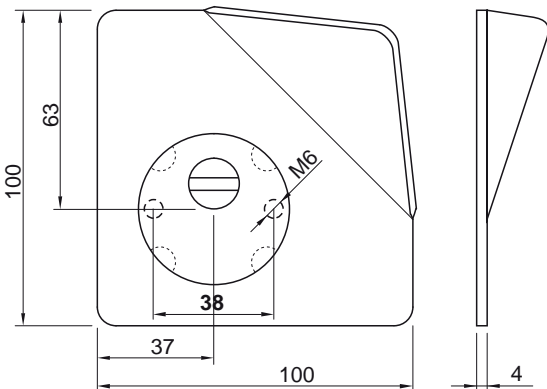
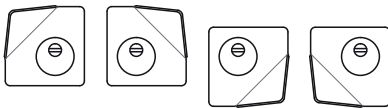
FINITURE FINISHES

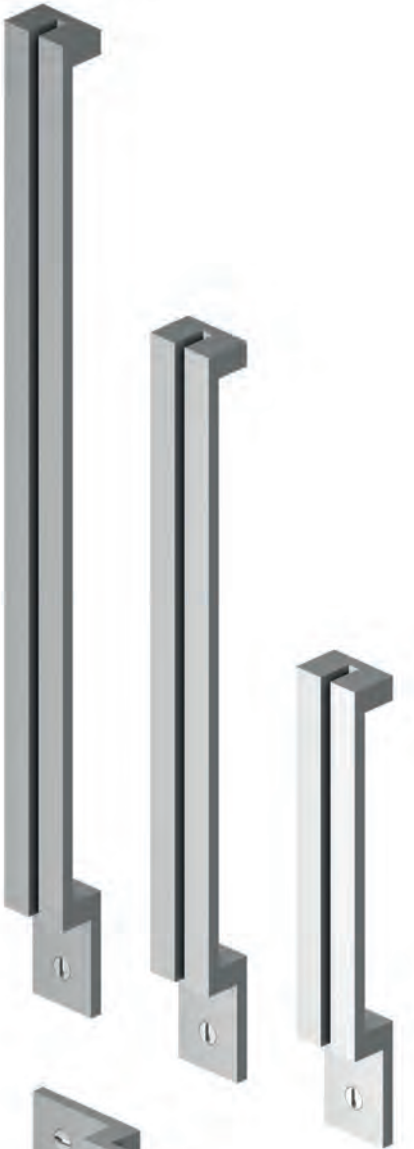
- 8 PVD Nero lucido
PVD Bright black
- IT Inox satinato
Satin stainless steel
- T Cromo satinato
Satin chrome
- C Cromo lucido
Bright chrome
- 2 PVD Ottone
PVD Brass

OPTIONAL



NXPL24
DX/SX



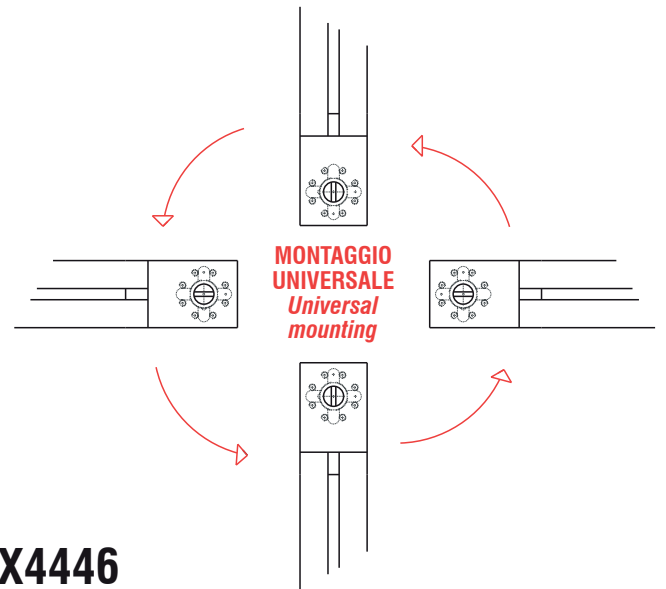


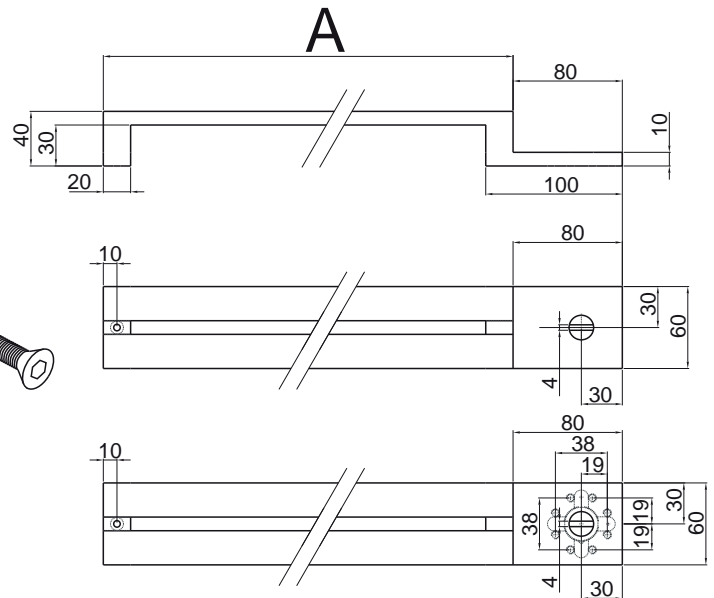
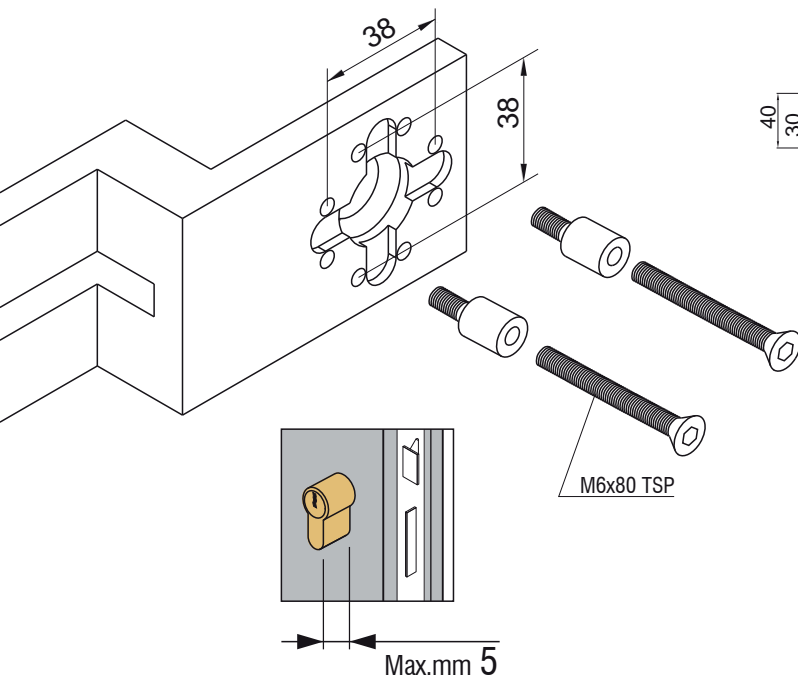
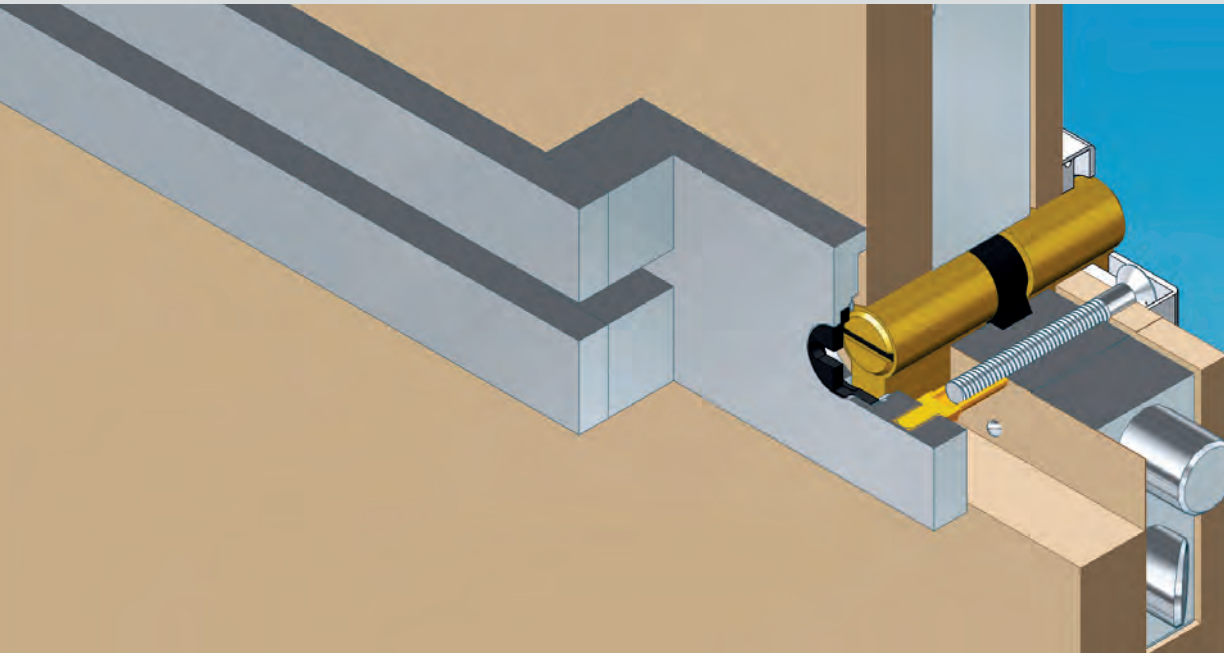
NX4408
ALUMINUM
A=300mm

NX4443
INOX
A=300mm

NX4446
INOX
A=600mm

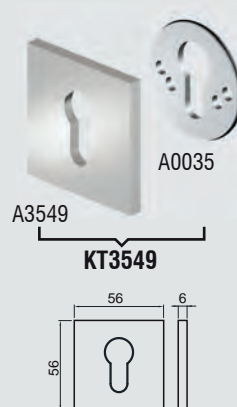
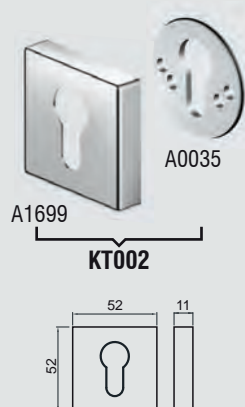
NX4448
INOX
A=800mm



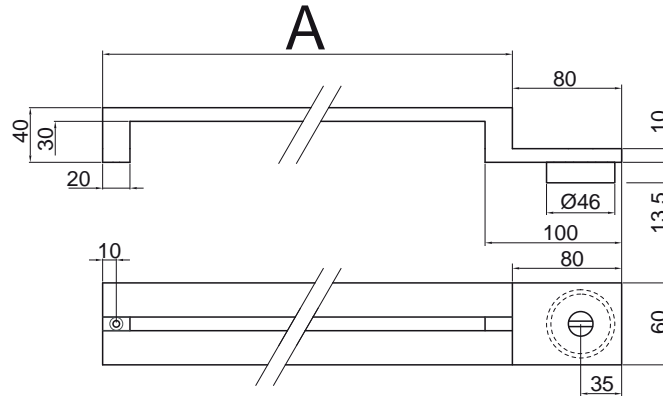
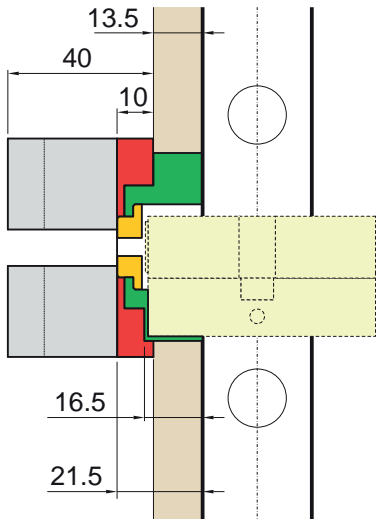
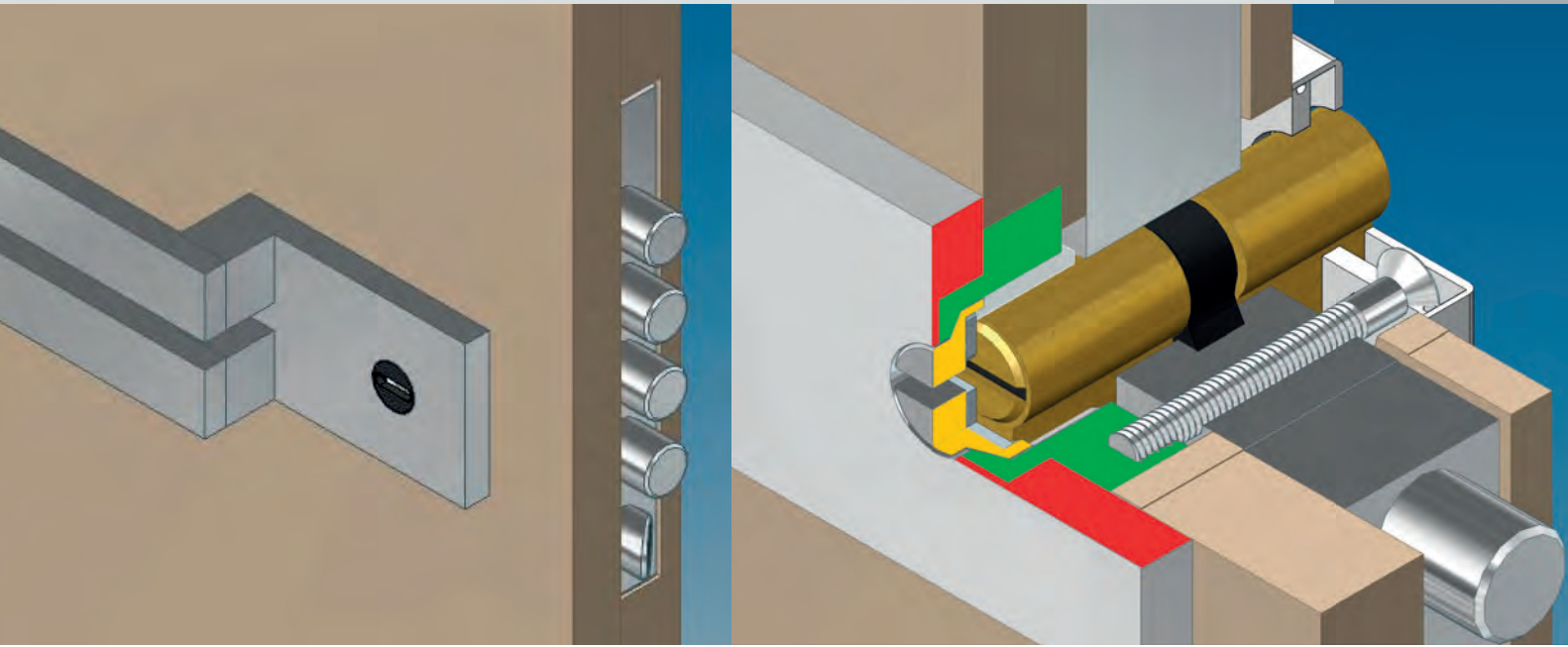


OPTIONAL

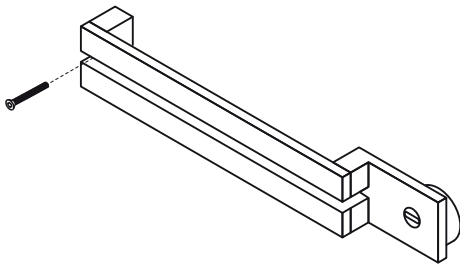
FINITURE / FINISHES



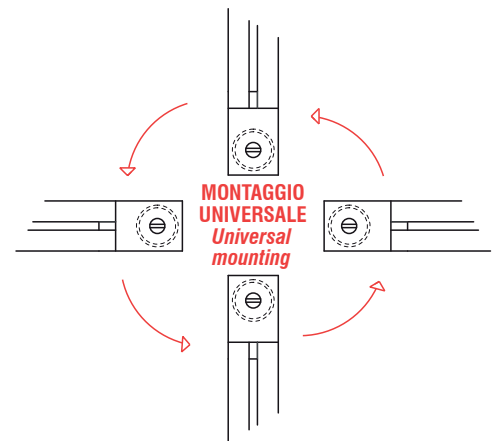
- Ⓔ Argento anodizzato
Anodized silver
- Ⓙ Inox satinato
Satin stainless steel
- Ⓝ Nero
Black
- Ⓟ Bronzo
Bronze
- Ⓛ Cubicatura grigia/nera
Water transfer printing grey/black
- Ⓛ Cubicatura grigia/satinata
Water transfer printing grey/satin



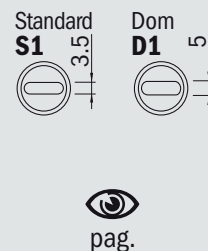
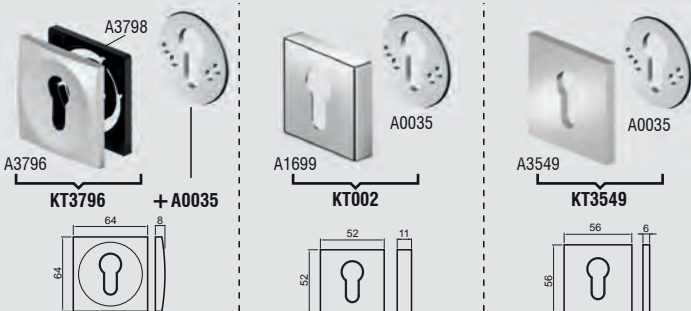
NX444-30 A=300mm
NX444-60 A=600mm



**SPESSORI
OPTIONAL**
A0592 sp. 1mm
A0591 sp. 2mm



OPTIONAL



FINITURE / FINISHES

- IT Inox satinato
Stainless steel
- N Nero
Black
- 2 PVD Ottone
PVD Brass
- FKK Cubicatura grigia/nera
Water transfer printing grey/black
- FKT Cubicatura grigia/satinata
Water transfer printing grey/satin

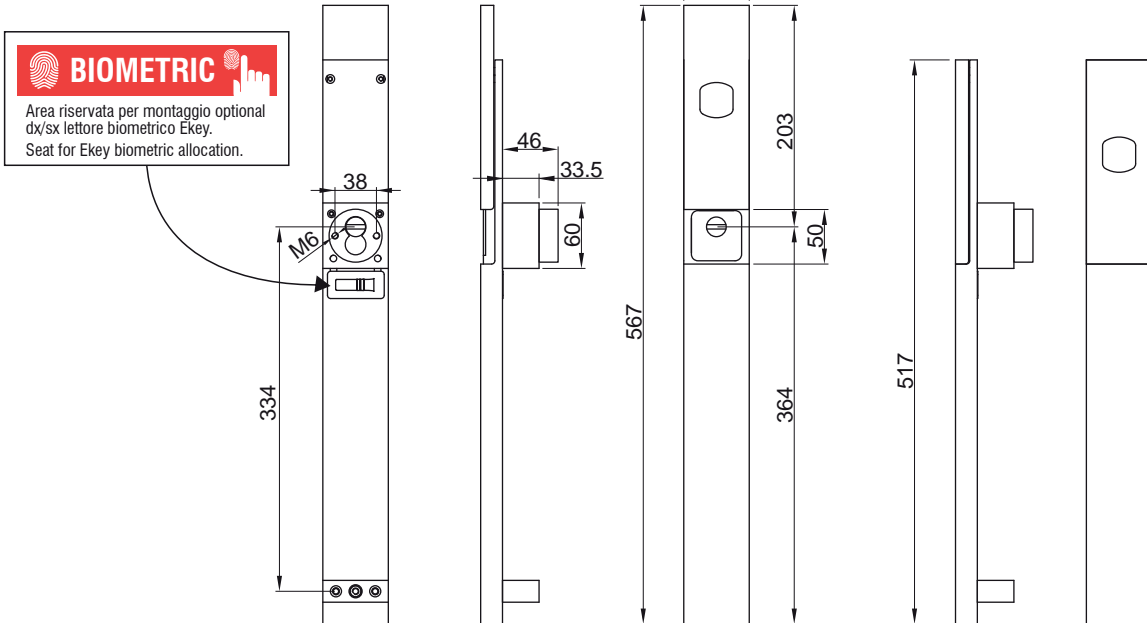


BIOMETRIC

Area riservata per montaggio optional dx/sx lettore biometrico Ekey.
Seat for Ekey biometric allocation.

MG1330
STANDARD VERSION

MG1330BM
VERSIONE PREDISPOSTA PER
LETTORE BIOMETRICO
EQUIPED FOR BIOMETRIC
READER USE

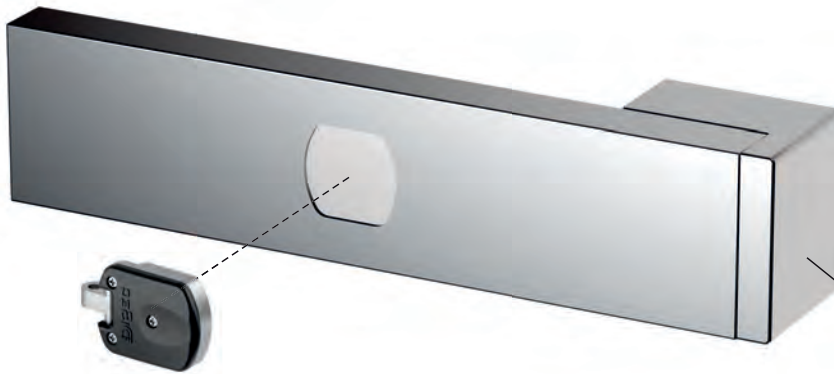


BIOMETRIC
Area riservata per montaggio optional dx/sx lettore biometrico Ekey.
Seat for Ekey biometric allocation.

stainless steel solid

FINITURE FINISHES

- ① Cromo satinato
Satin chrome
- ② Cromo lucido
Bright chrome
- ③ PVD Ottone
PVD Brass

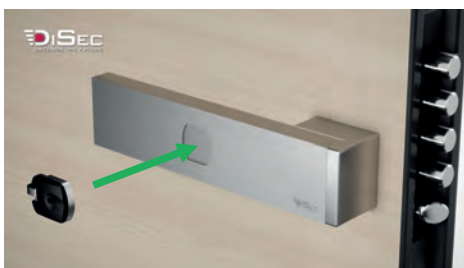
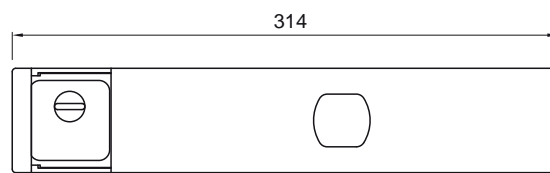
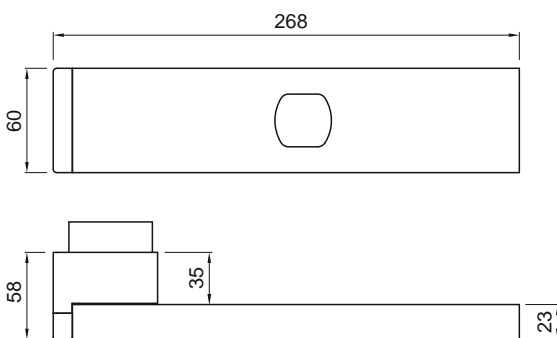


MG1300
STANDARD VERSION

MG1300BM
VERSIONE PREDISPOSTA PER
LETTORE BIOMETRICO
EQUIPED FOR BIOMETRIC
READER USE

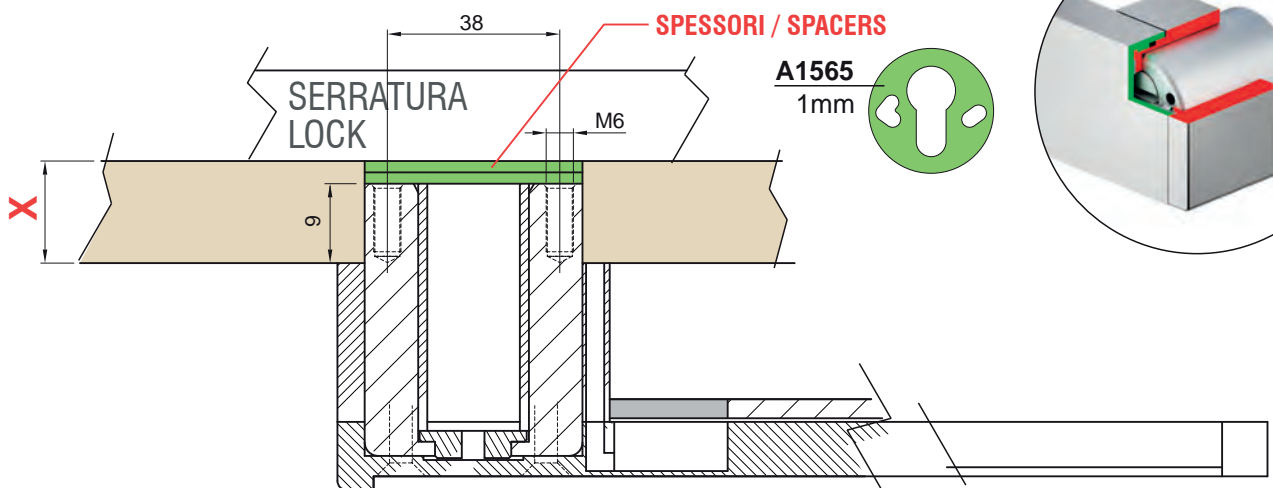
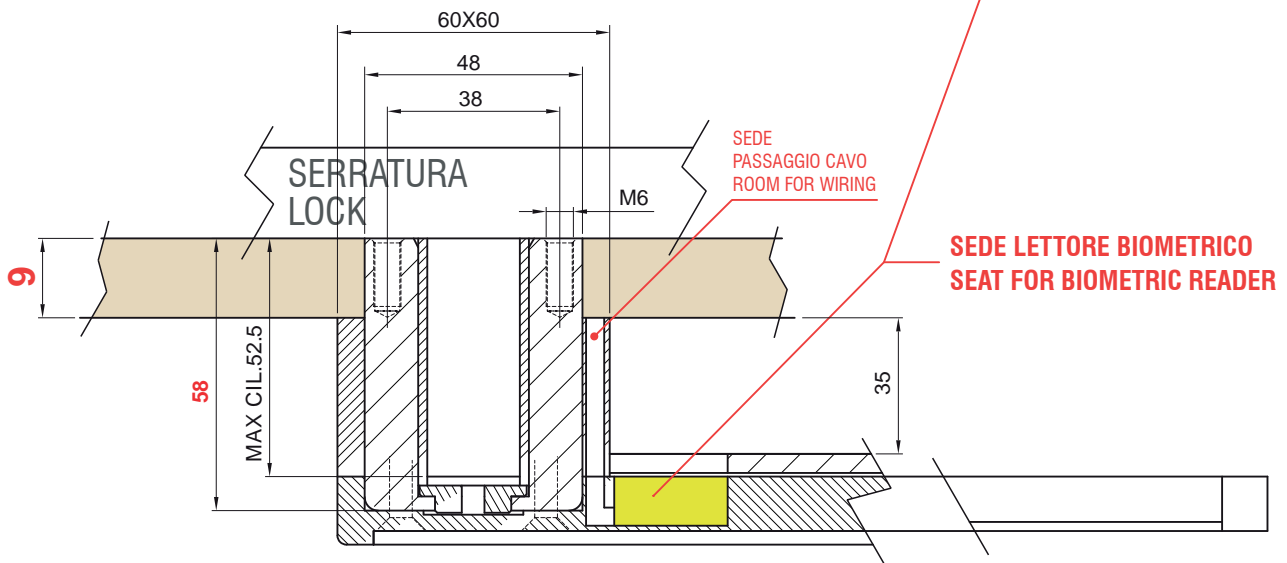
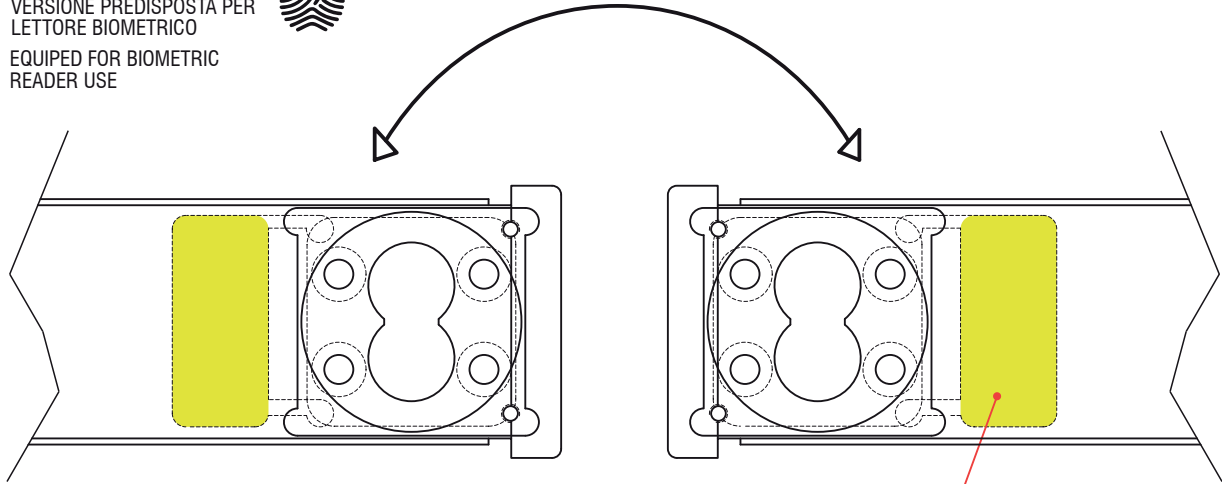


VIDEO:



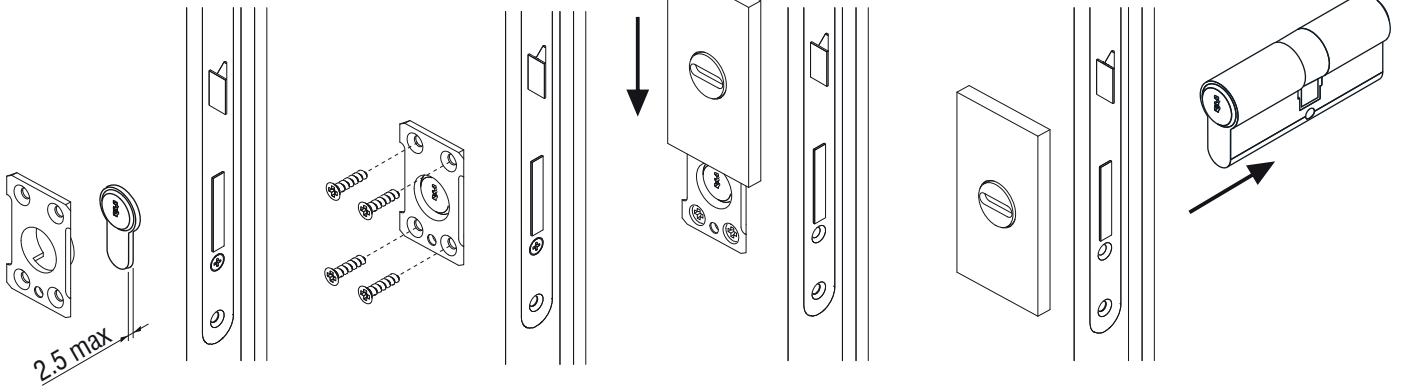
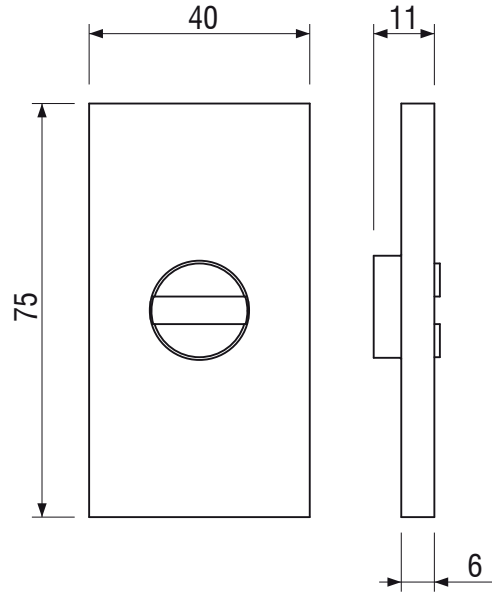
MG1300
STANDARD VERSION

MG1300BM
VERSIONE PREDISPOSTA PER
LETTORE BIOMETRICO
EQUIPED FOR BIOMETRIC
READER USE





NXCLF



- W Bianco Ral 9010
White Ral 9010
- C Cromo lucido
Bright Chrome
- T Cromo satinato
Satin Chrome
- 6 Argento anodizzato
Anodized Silver
- IT Inox satinato
Stainless steel

- N Nero
Black
- 8 PVD Nero lucido
PVD Bright black
- T8 PVD Nero antracite
PVD Satin Black
- B Bronzo
Bronze
- BS Bronzo satinato
Satin Bronze

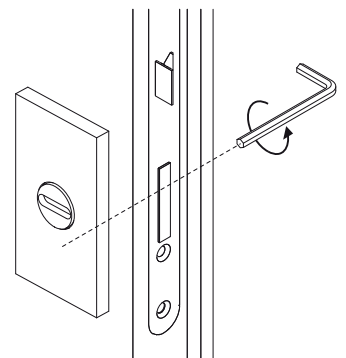
- A Champagne anodizzato
Anodized champagne
- 9 Oro anodizzato
Anodized Gold
- 2 PVD Ottone
PVD Brass
- L Ottone lucido
Bright Brass
- TT Ottone satinato
Satin Brass

Standard
S1 3.5

Dom
D1 5



pag.





**PLACCHE E
ACCESSORI**

*Escutcheon
and accessories*





T

Cromo satinato
Satin chrome



IT

Inox satinato
Stainless steel



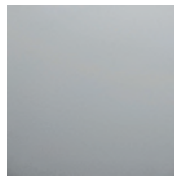
W

Bianco (RAL 9010)
White (RAL 9010)



6

Alluminio silver
Silver aluminium



C

Cromo lucido
Polished chrome



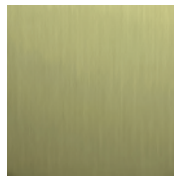
N

Nero
Black



9

Alluminio oro
Gold aluminium



L

Ottone lucido
Polished brass



M

Marrone
Brown



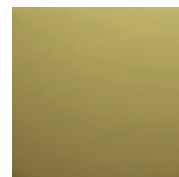
A

Alluminio champagne
Champagne aluminium



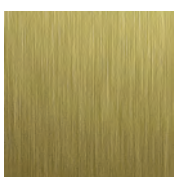
BS

Bronzo satinato
Satin bronze



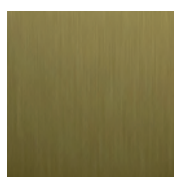
2

PVD ottone
PVD bright brass



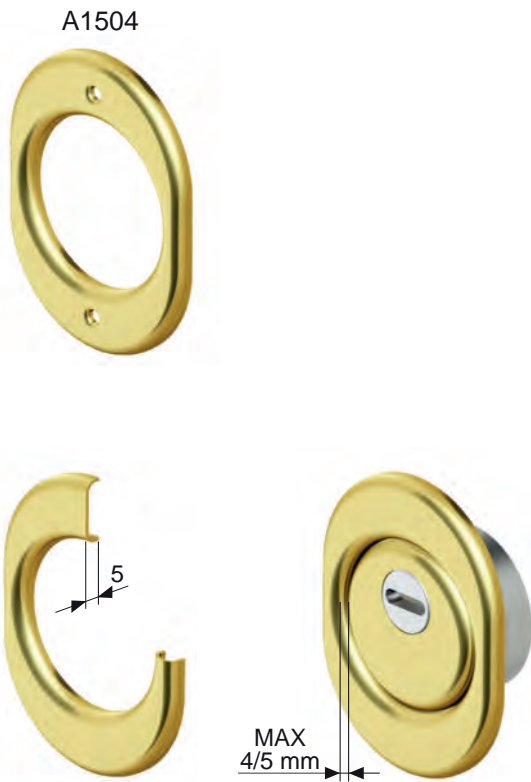
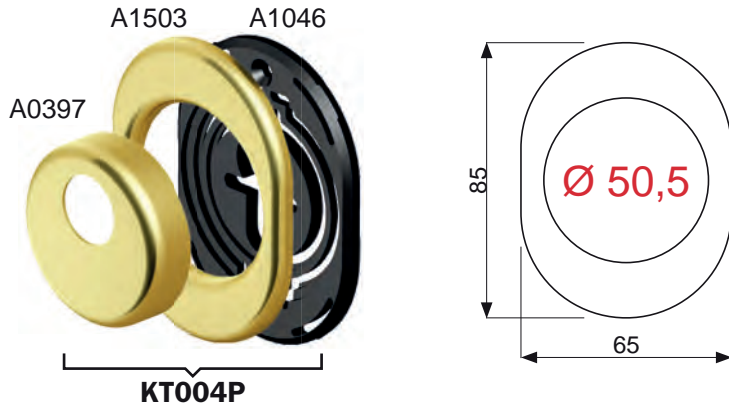
TT

Ottone satinato
Satin brass



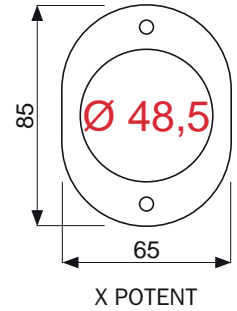
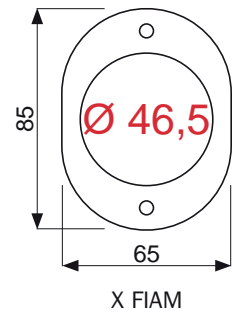
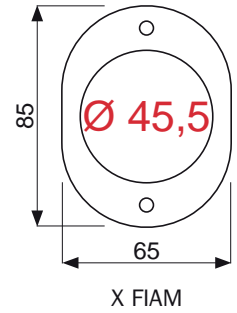
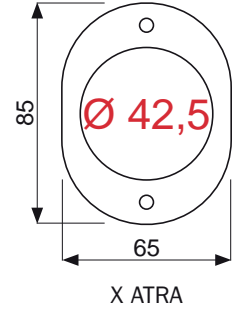
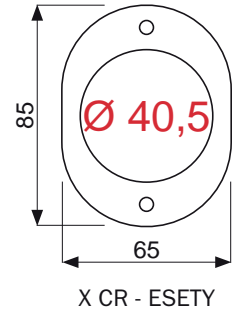
B

Bronzo
Bronze



FINITURE / FINISHES

- | | | | |
|--|---|---|---------------------------|
| C Cromo lucido
Bright Chrome | T Cromo satinato
Satin Chrome | S Cromo opaco
Mat Chrome | B Bronzo
Bronze |
| L Ottone lucido
Bright Brass | 2 PVD Ottone
PVD Brass | BS Bronzo satinato
Satin Bronze | N Nero
Black |



FINITURE / FINISHES

C Cromo lucido
Bright Chrome

T Cromo satinato
Satin Chrome

S Cromo opaco
Mat Chrome

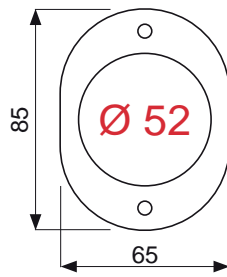
B Bronzo
Bronze

L Ottone lucido
Bright Brass

2 PVD Ottone
PVD Brass



A1634



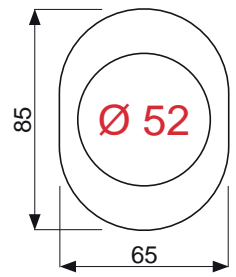
A1635



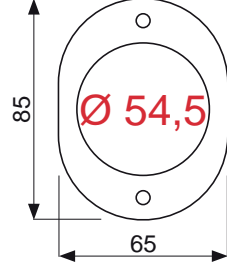
A1046



KT066



A0717



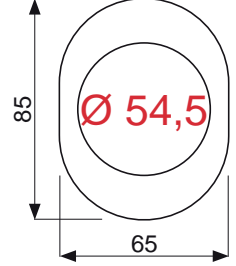
A1813



A1046



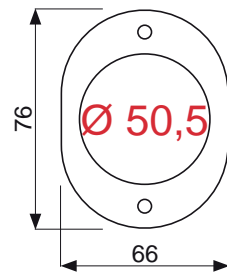
KT072



A1700



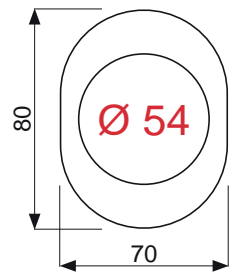
CONF. BULK



A1870



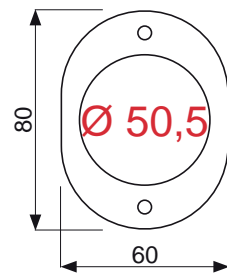
Sp. 1mm



A1872



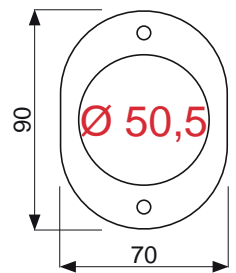
Sp. 1mm
CONF. BULK



A2510



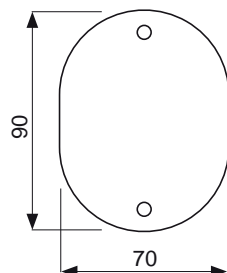
Sp. 1mm



A2042



Sp. 1mm

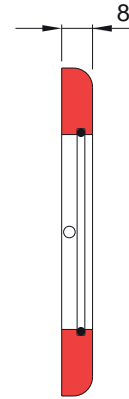
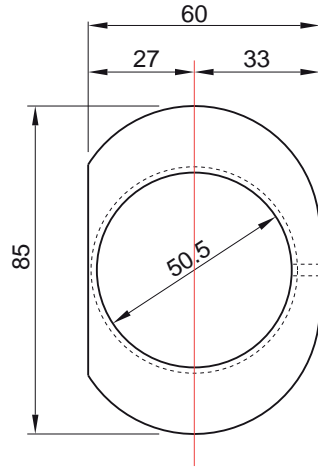
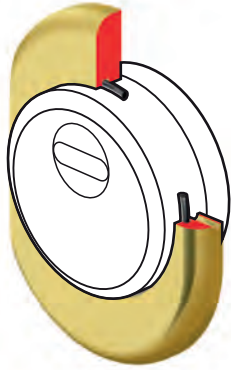


FINITURE / FINISHES

- | | | | |
|--|---|---|---------------------------|
| C Cromo lucido
Bright Chrome | T Cromo satinato
Satin Chrome | S Cromo opaco
Mat Chrome | B Bronzo
Bronze |
| L Ottone lucido
Bright Brass | 2 PVD Ottone
PVD Brass | BS Bronzo satinato
Satin Bronze | |



A4002



FINITURE FINISHES

L Ottone lucido
Bright Brass

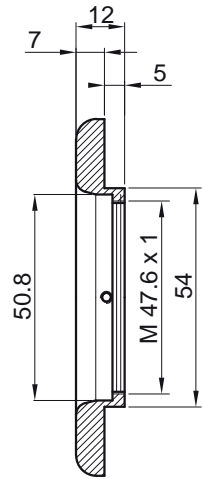
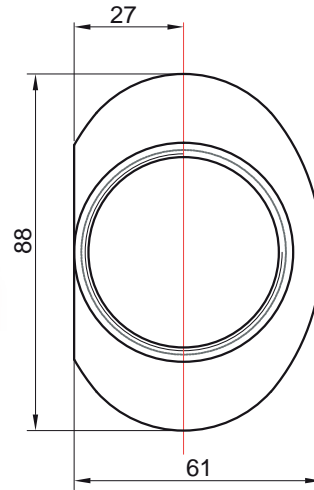
9 Oro anodizzato
Anodized Gold

6 Argento anodizzato
Anodized Silver

B Bronzo
Bronze



A4143
h5 mm



FINITURE FINISHES

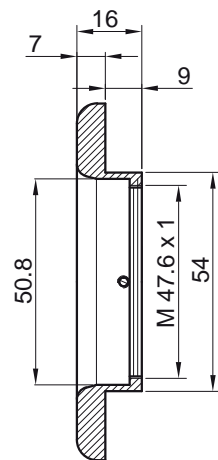
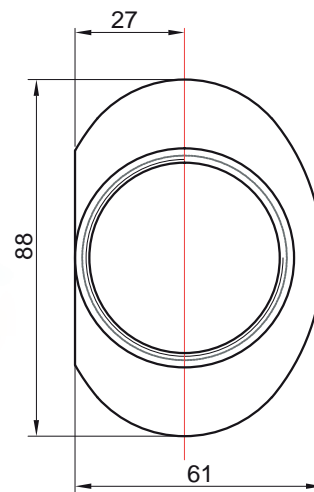
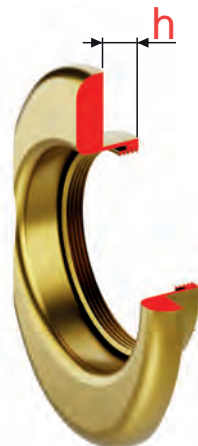
C Cromo lucido
Bright Chrome

T Cromo satinato
Satin Chrome

2 PVD Ottone
PVD Brass



A4144
h11 mm

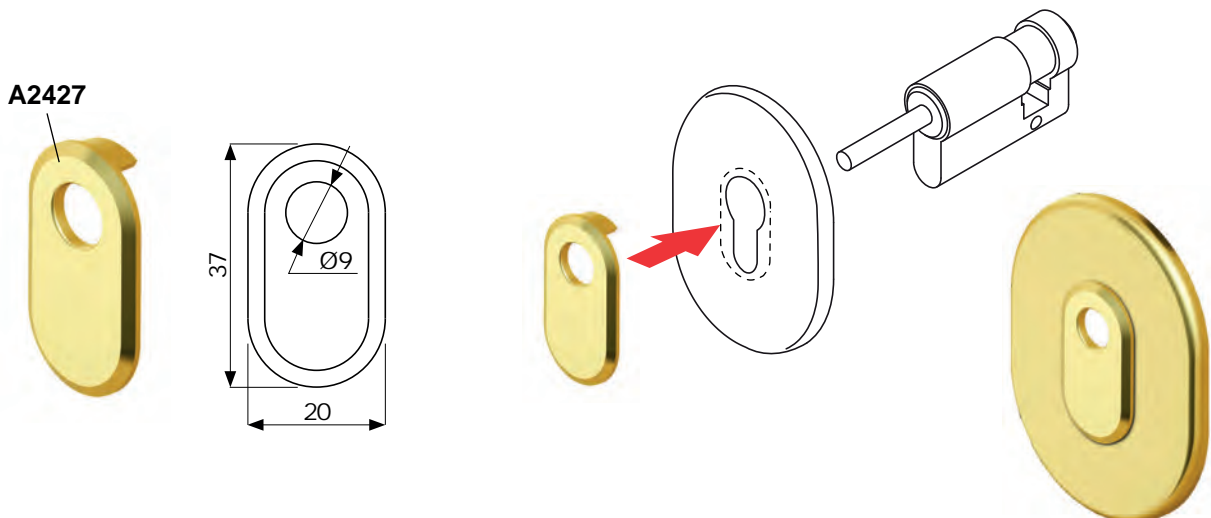
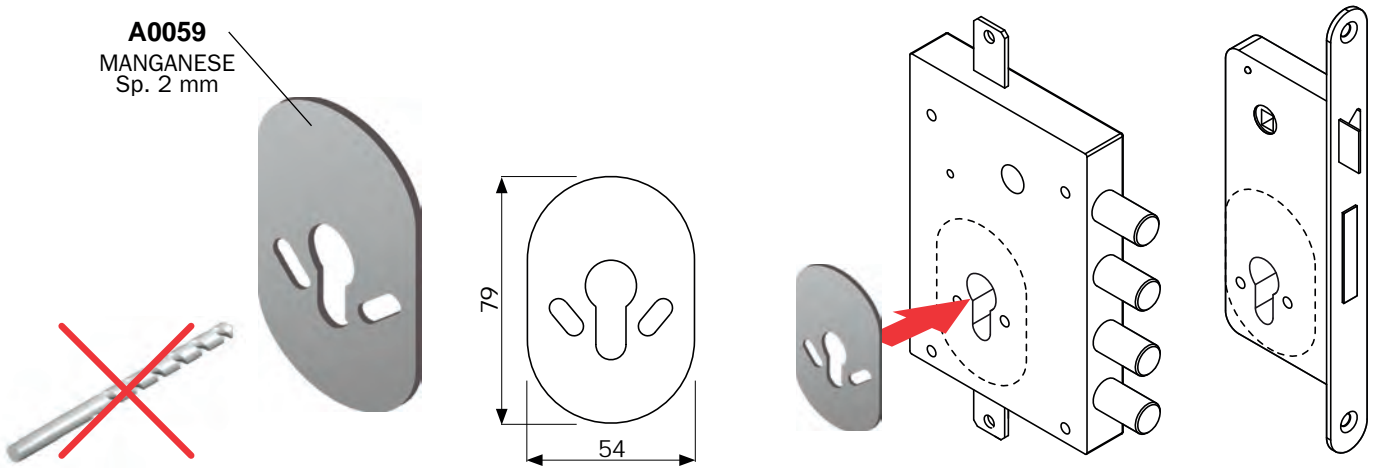
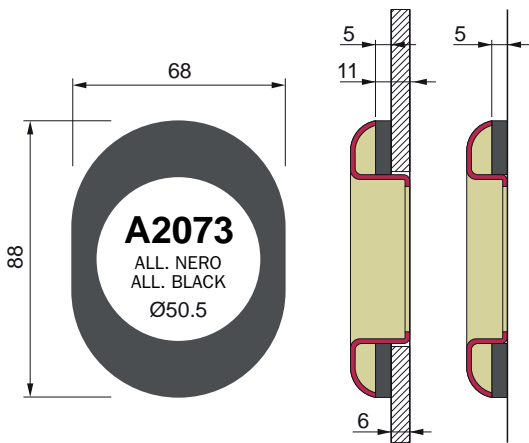


FINITURE FINISHES

C Cromo lucido
Bright Chrome

T Cromo satinato
Satin Chrome

2 PVD Ottone
PVD Brass

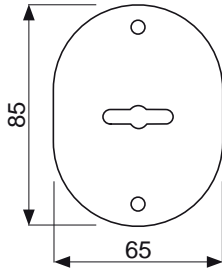


FINITURE / FINISHES

- C** Cromo lucido / Bright Chrome
- B** Bronzo / Bronze
- L** Ottone lucido / Bright Brass
- T** Cromo satinato / Satin Chrome
- N** Nero / Black



A1243



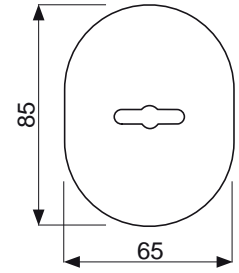
A1045



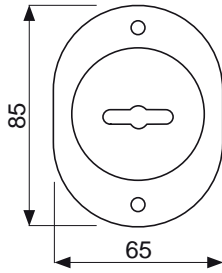
A1046



KT037



A1539



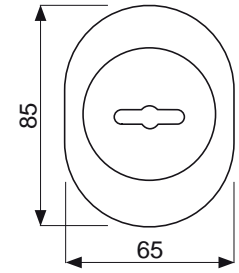
A1538



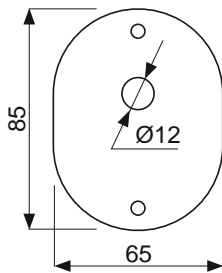
A1046



KT060



A1159



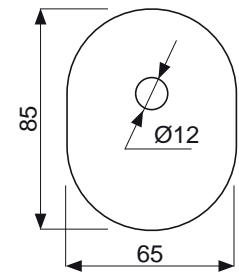
A1267



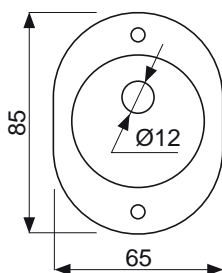
A1046



KT041



A1541



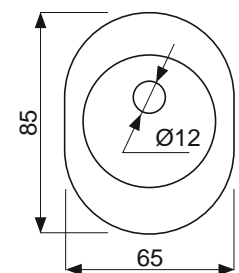
A1540



A1046



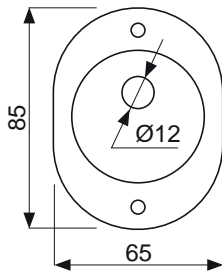
KT059



A1541



KT069



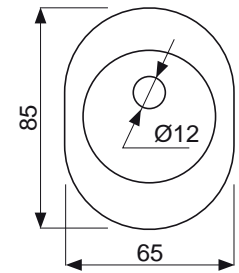
A1540



A1046



KT068



FINITURE / FINISHES

C Cromo lucido
Bright Chrome

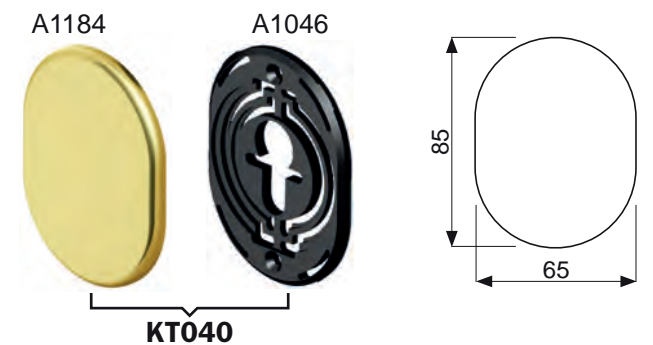
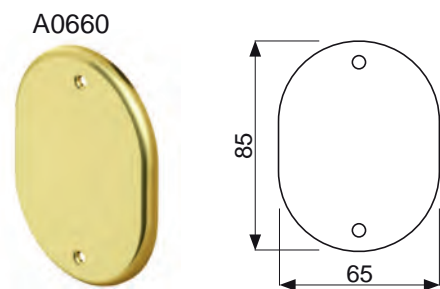
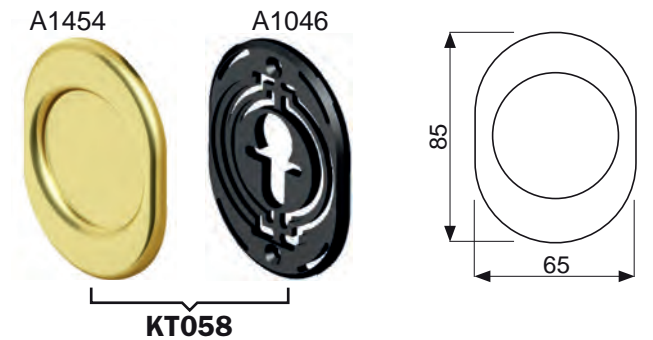
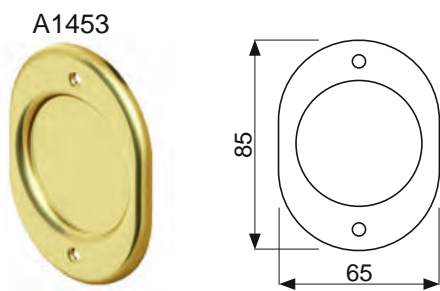
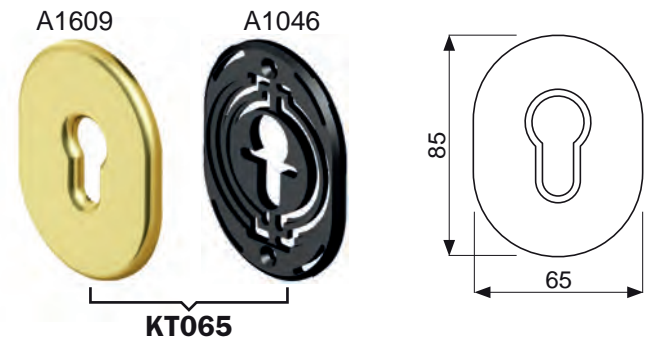
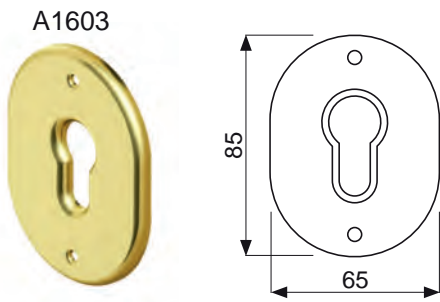
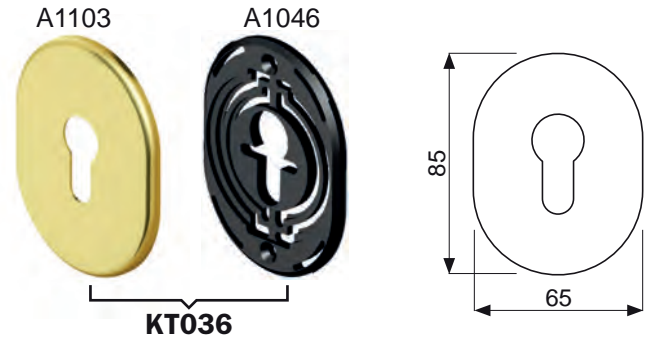
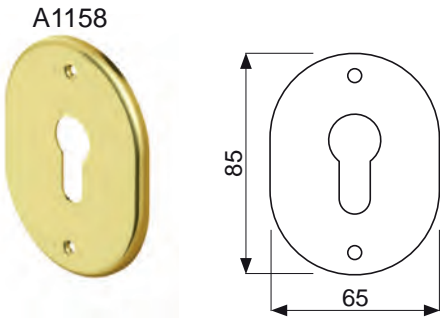
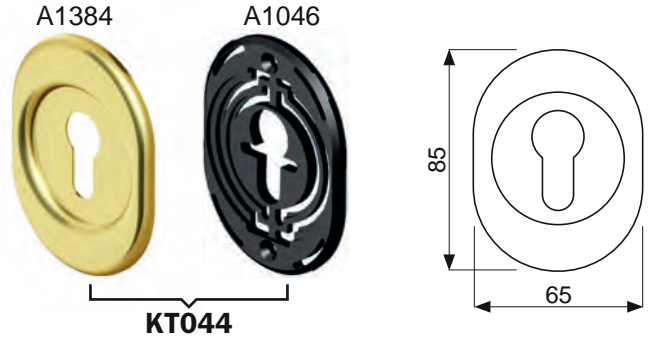
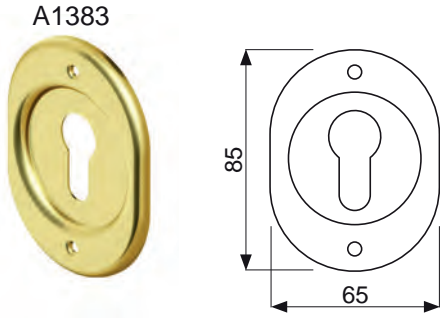
T Cromo satinato
Satin Chrome

S Cromo opaco
Mat Chrome

B Bronzo
Bronze

L Ottone lucido
Bright Brass

2 PVD Ottone
PVD Brass



FINITURE / FINISHES

C Cromo lucido
Bright Chrome

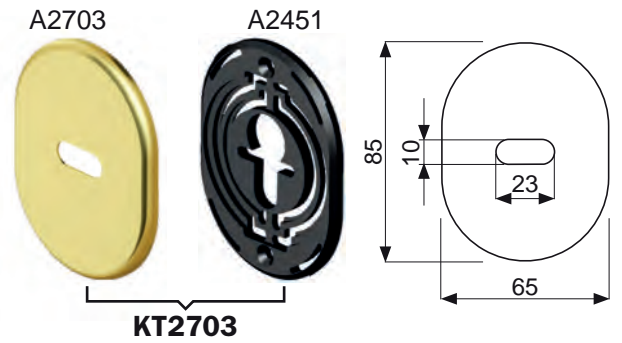
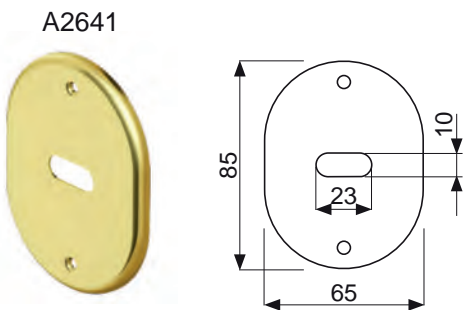
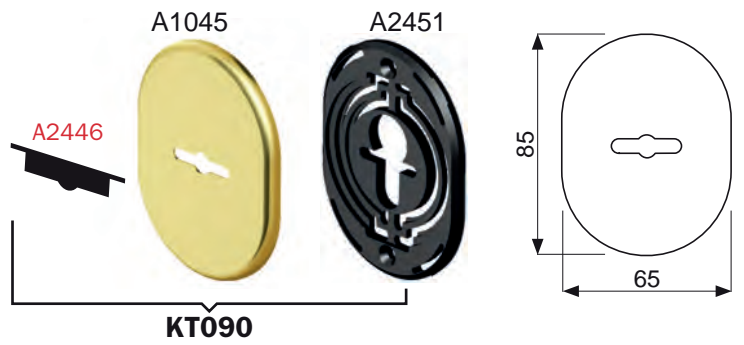
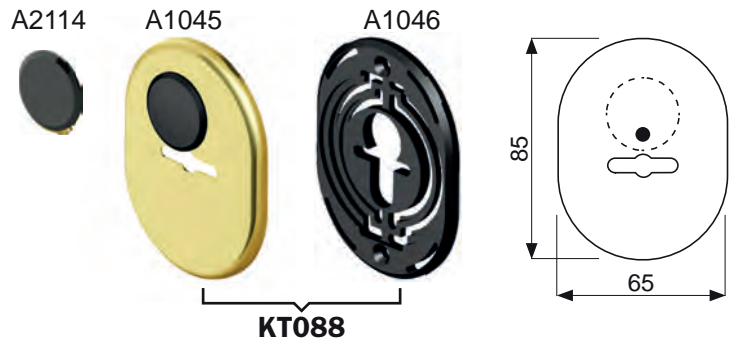
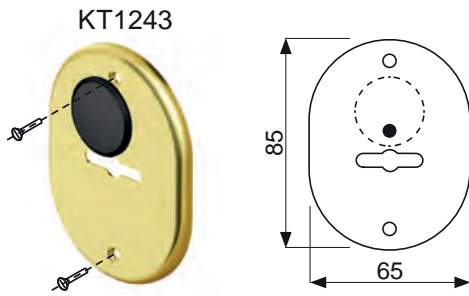
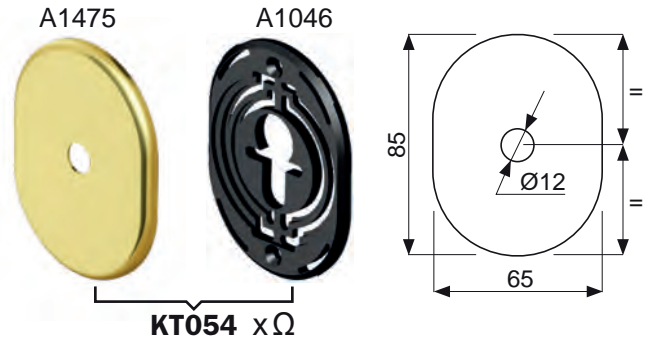
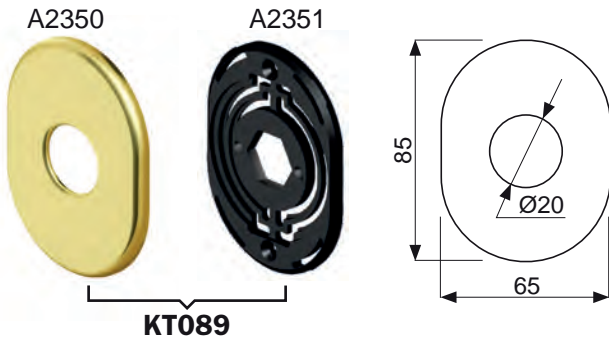
T Cromo satinato
Satin Chrome

S Cromo opaco
Mat Chrome

B Bronzo
Bronze

L Ottone lucido
Bright Brass

2 PVD Ottone
PVD Brass



FINITURE / FINISHES

Ⓒ Cromo lucido
Bright Chrome

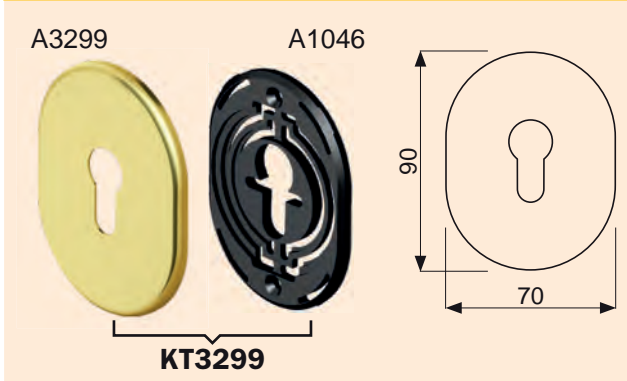
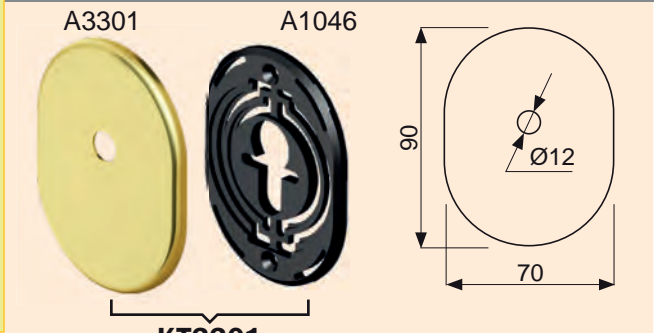
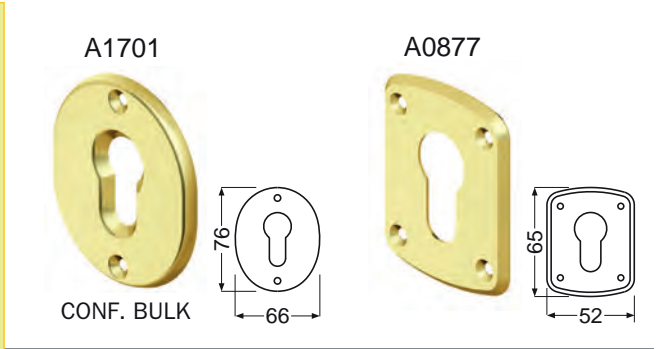
Ⓓ Cromo satinato
Satin Chrome

Ⓔ Cromo opaco
Mat Chrome

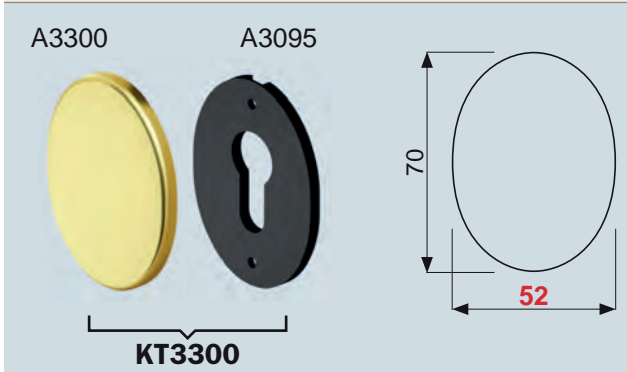
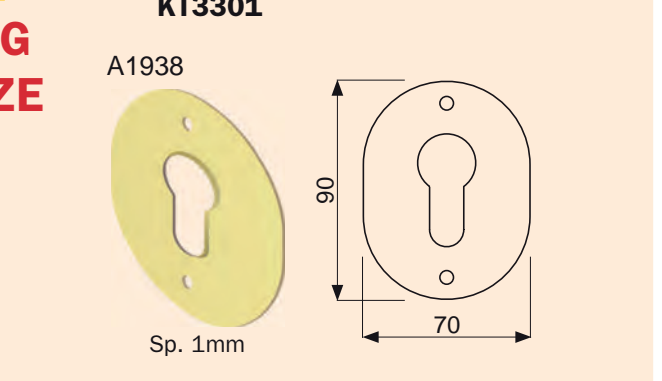
Ⓖ Bronzo
Bronze

Ⓕ Ottone lucido
Bright Brass

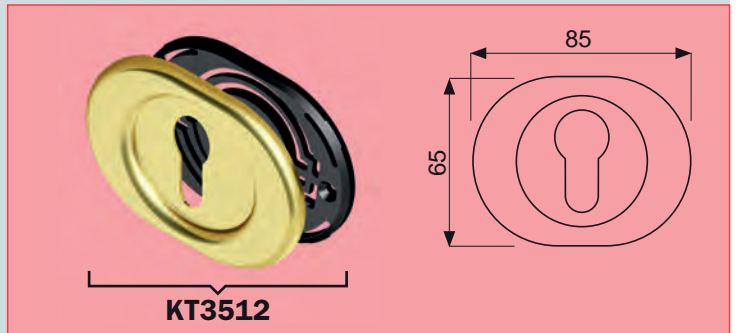
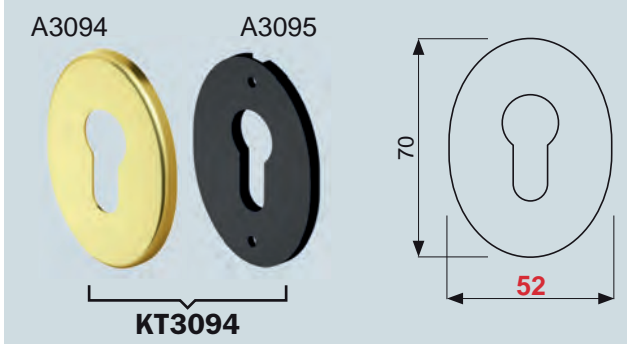
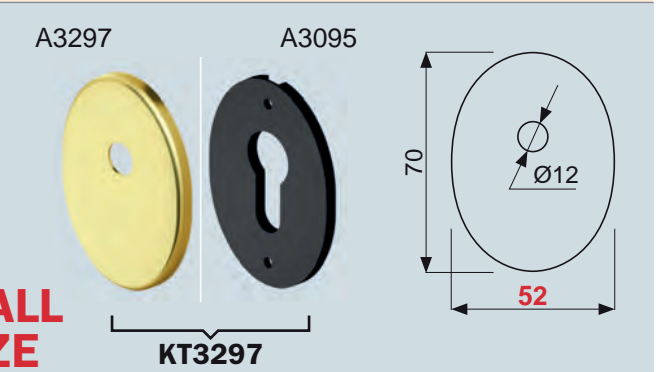
Ⓖ PVD Ottone
PVD Brass



BIG SIZE



SMALL SIZE



FINITURE / FINISHES

C Cromo lucido
Bright Chrome

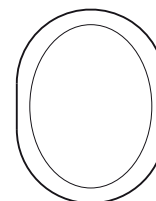
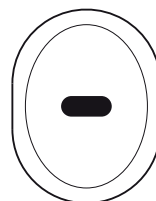
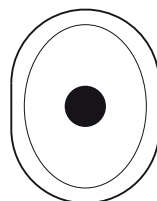
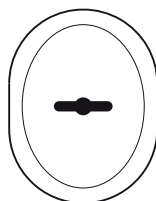
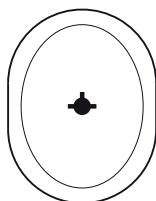
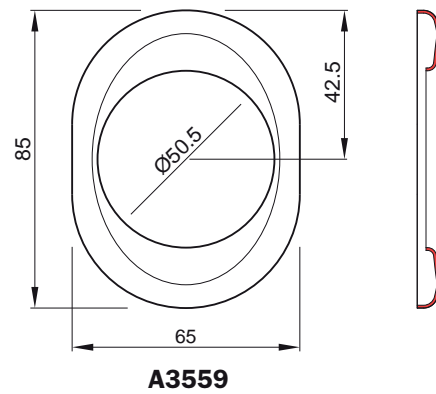
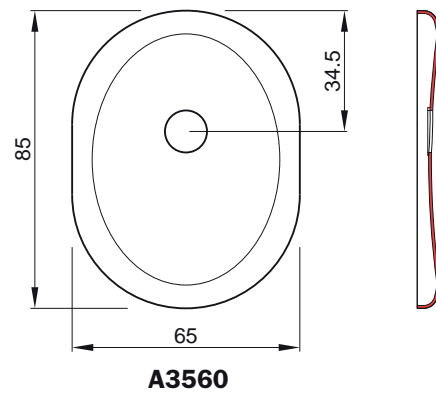
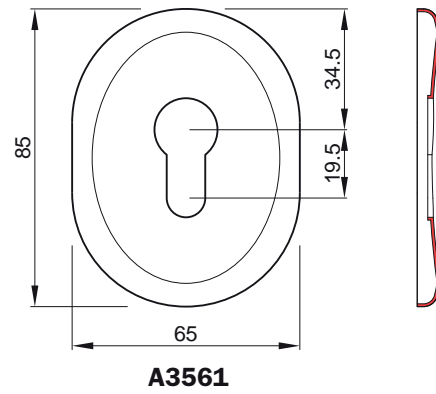
T Cromo satinato
Satin Chrome

S Cromo opaco
Mat Chrome

B Bronzo
Bronze

L Ottone lucido
Bright Brass

2 PVD Ottone
PVD Brass



FINITURE / FINISHES

C Cromo lucido
Bright Chrome

T Cromo satinato
Satin Chrome

S Cromo opaco
Mat Chrome

B Bronzo
Bronze

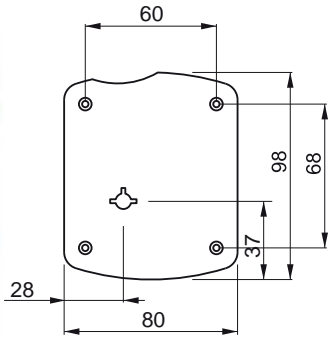
L Ottone lucido
Bright Brass

2 PVD Ottone
PVD Brass

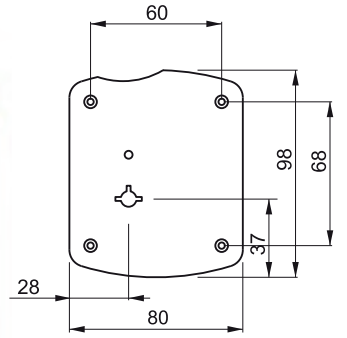
IT Inox satinato
Satin S.Steel



A1934
X ESETY
Dx/Sx



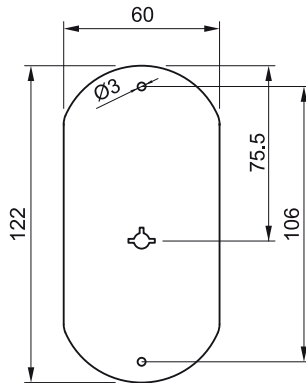
KT1934
X ESETY
Dx/Sx



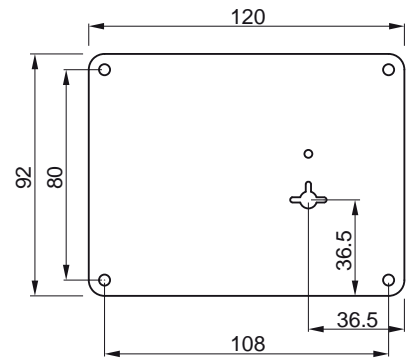
A2114



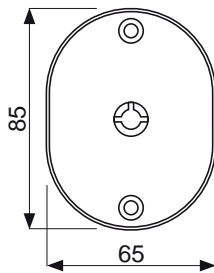
A1933
X ESETY



KT2131
X OMEGA
Dx/Sx



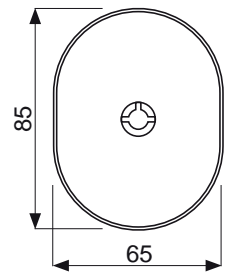
A2111



A2112

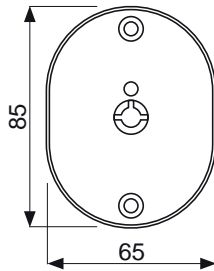


A2449



KT2112

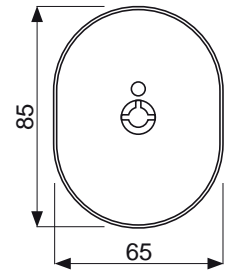
KT2113



A2140



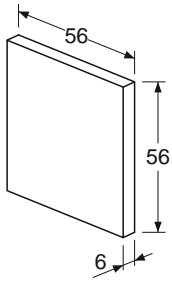
A2449



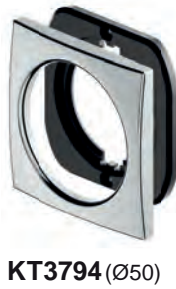
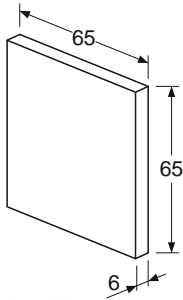
KT2140

FINITURE / FINISHES

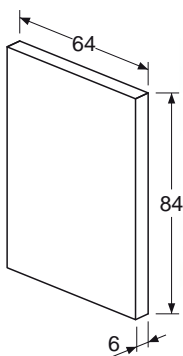
- (C) Cromo lucido
Bright Chrome
- (T) Cromo satinato
Satin Chrome
- (IT) Inox satinato
Satin S.Steel
- (B) Bronzo
Bronze
- (L) Ottone lucido
Bright Brass
- (2) PVD Ottone
PVD Brass
- (BS) Bronzo satinato
Satin Bronze

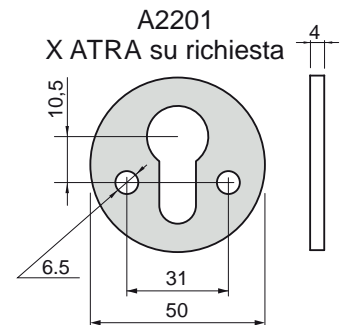
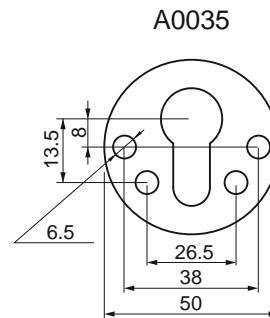
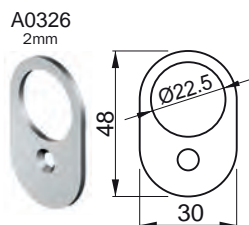
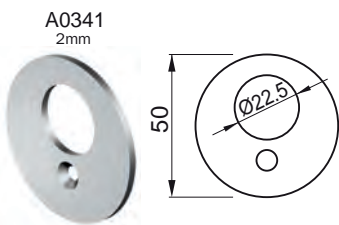
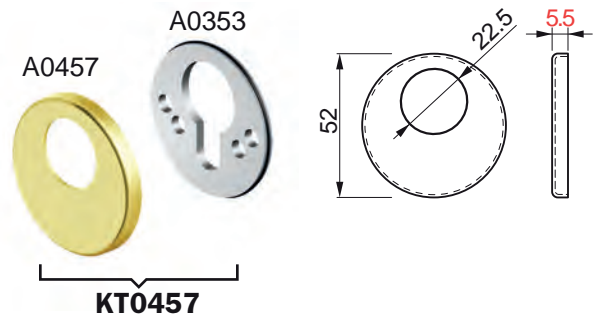
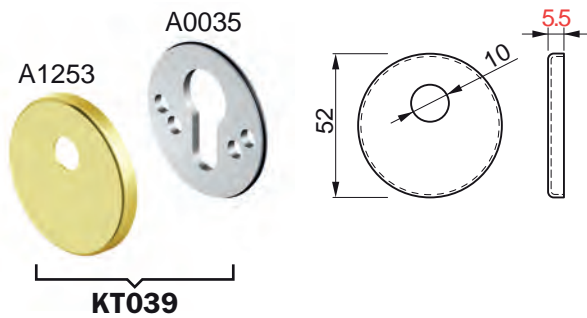
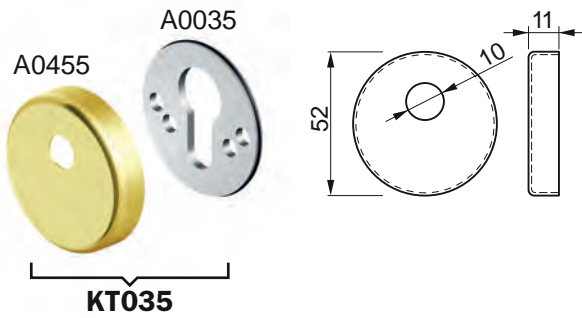
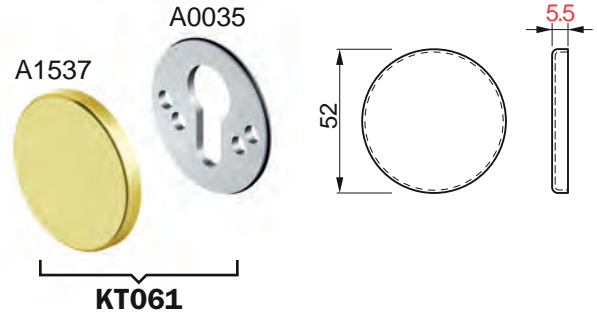
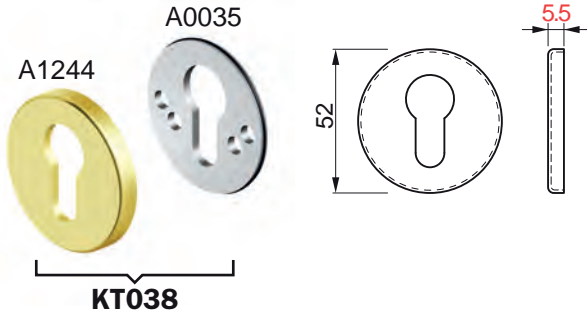
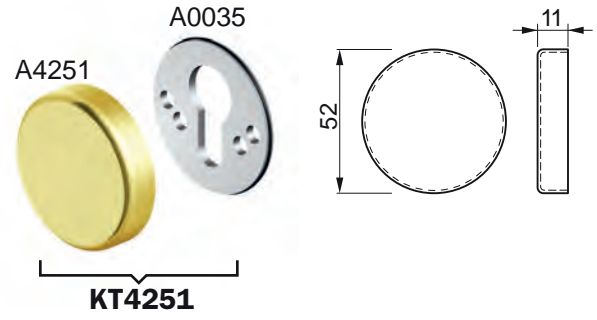
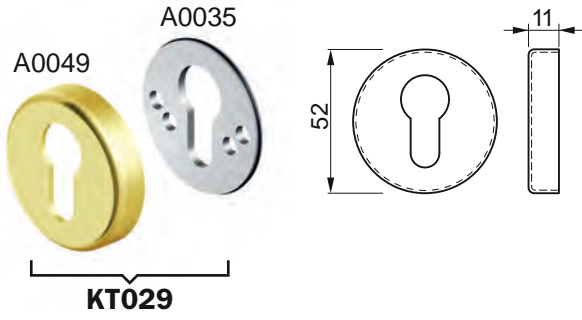


SERIE KUBO - 65x65x6 mm



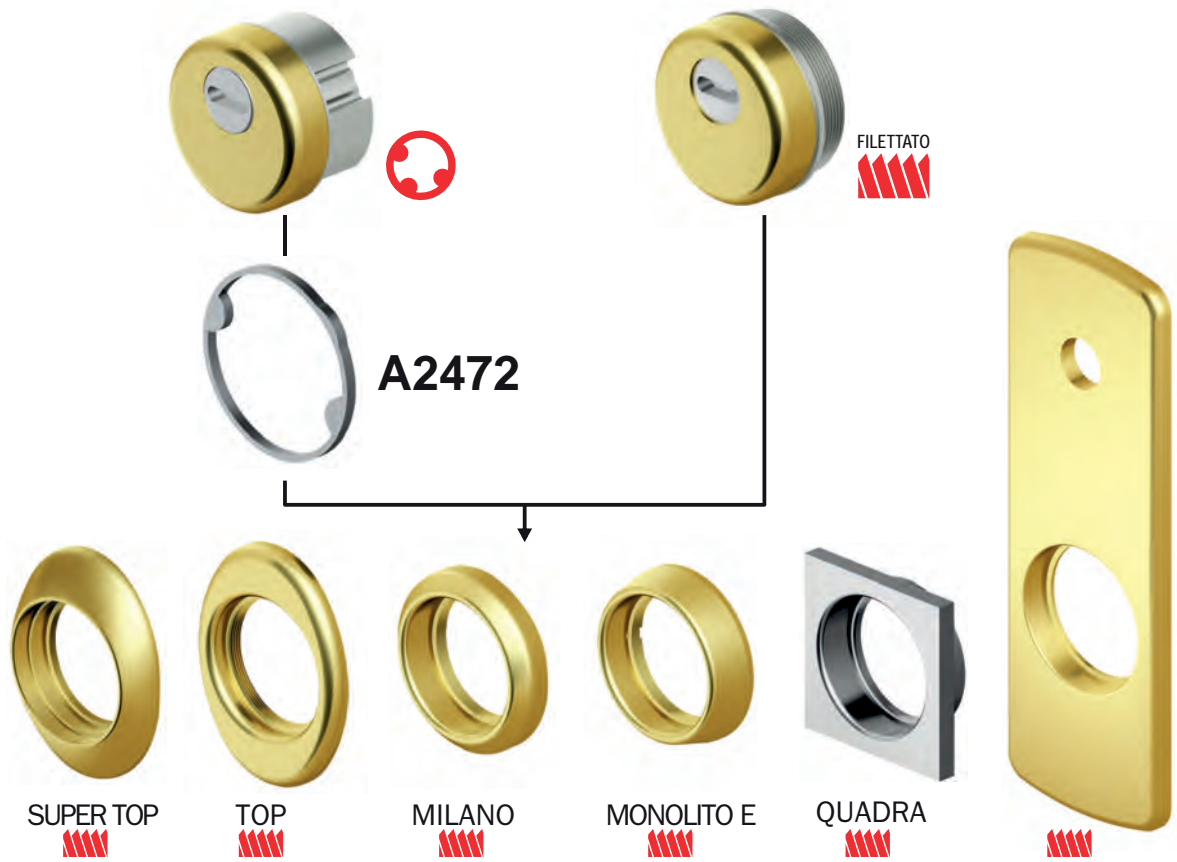
SERIE QUADRY - 64x84x6 mm



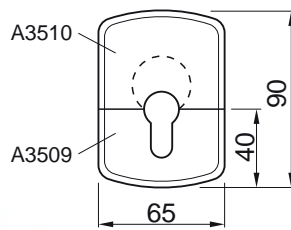


FINITURE / FINISHES

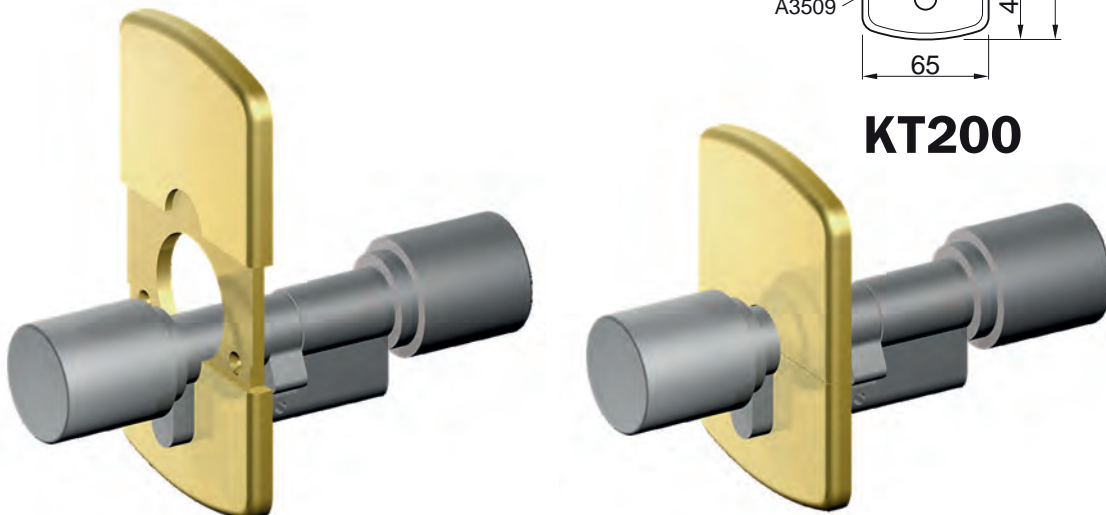
- | | | | | |
|---------------------------------|----------------------------------|------------------------------------|----------------------------------|--------------------|
| Ⓒ Cromo lucido
Bright Chrome | Ⓓ Cromo satinato
Satin Chrome | Ⓔ Cromo opaco
Mat Chrome | Ⓗ Inox satinato
Satin S.Steel | Ⓑ Bronzo
Bronze |
| Ⓕ Ottone lucido
Bright Brass | Ⓖ PVD Ottone
PVD Brass | ⒽⒶ Bronzo satinato
Satin Bronze | Ⓖ Nero
Black | |



PLACCA PER CILINDRI ELETTRONICI
ELECTRONIC CYLINDER PROTECTIONS



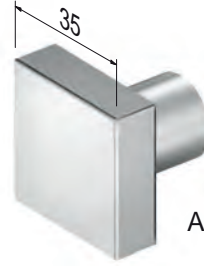
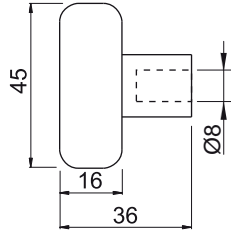
KT200



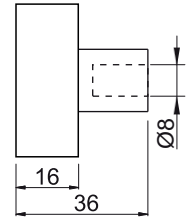
- (C) Cromo lucido
Bright Chrome
- (T) Cromo satinato
Satin Chrome
- (B) Bronzo
Bronze
- (2) PVD Ottone
PVD Brass



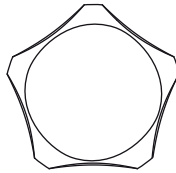
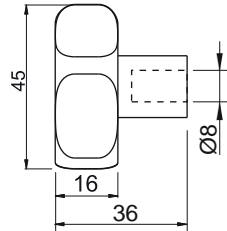
A1899



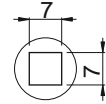
A4913



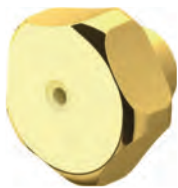
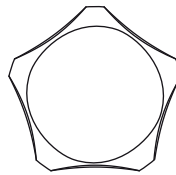
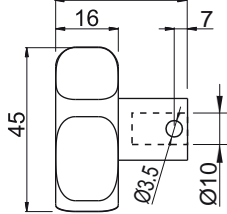
A1276



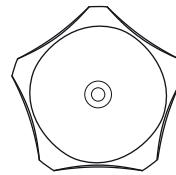
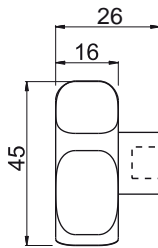
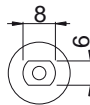
A2673
X KESO



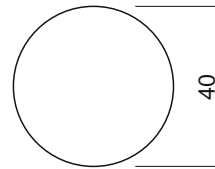
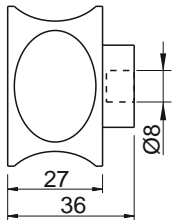
A1940
X MOTTURA



A1992
X KABA



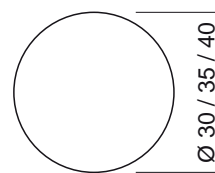
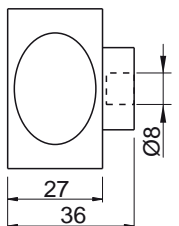
A1914



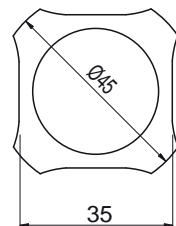
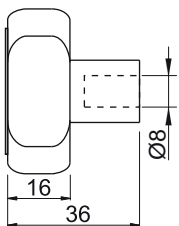
A1915 = Ø40



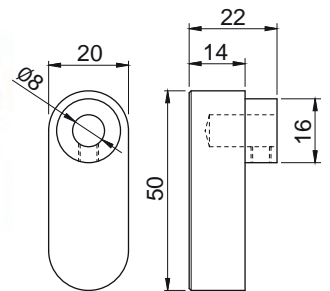
A1912 = Ø35
A2248 = Ø30



A1916



Ki4399



FINITURE / FINISHES

Ⓒ Cromo lucido
Bright Chrome

Ⓓ Cromo satinato
Satin Chrome

Ⓑ Bronzo
Bronze

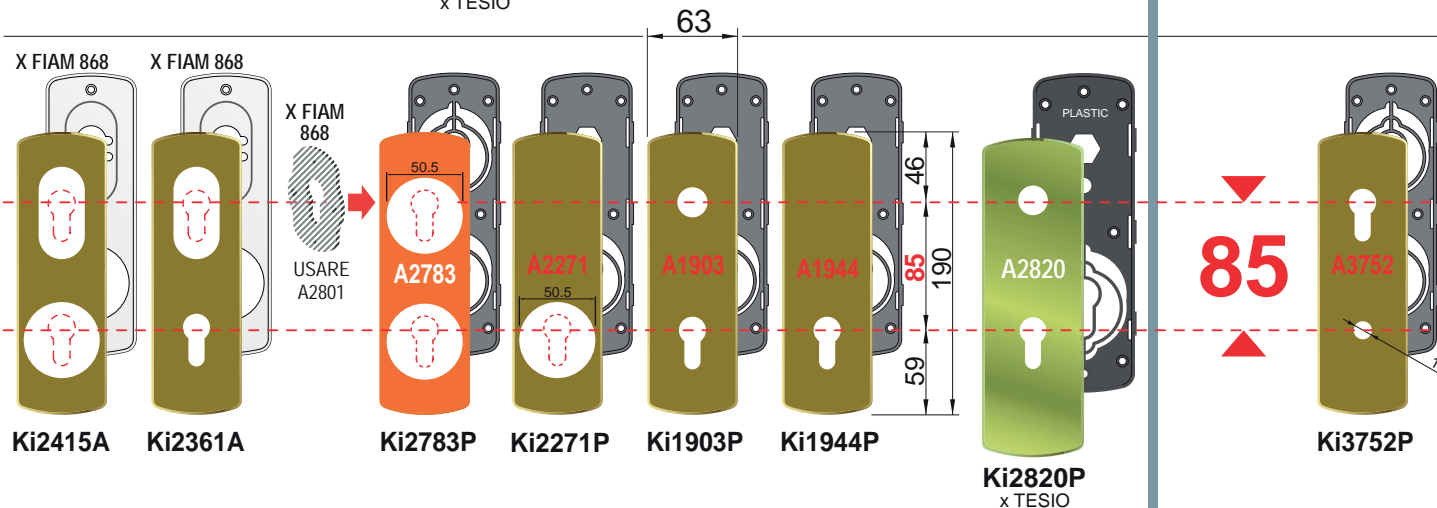
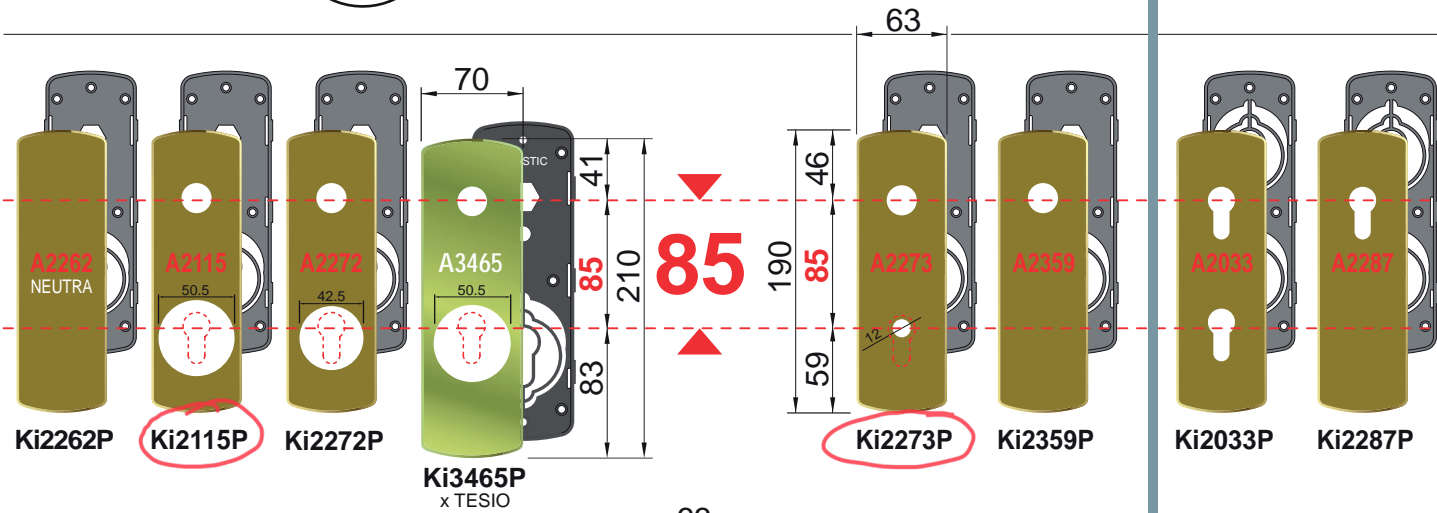
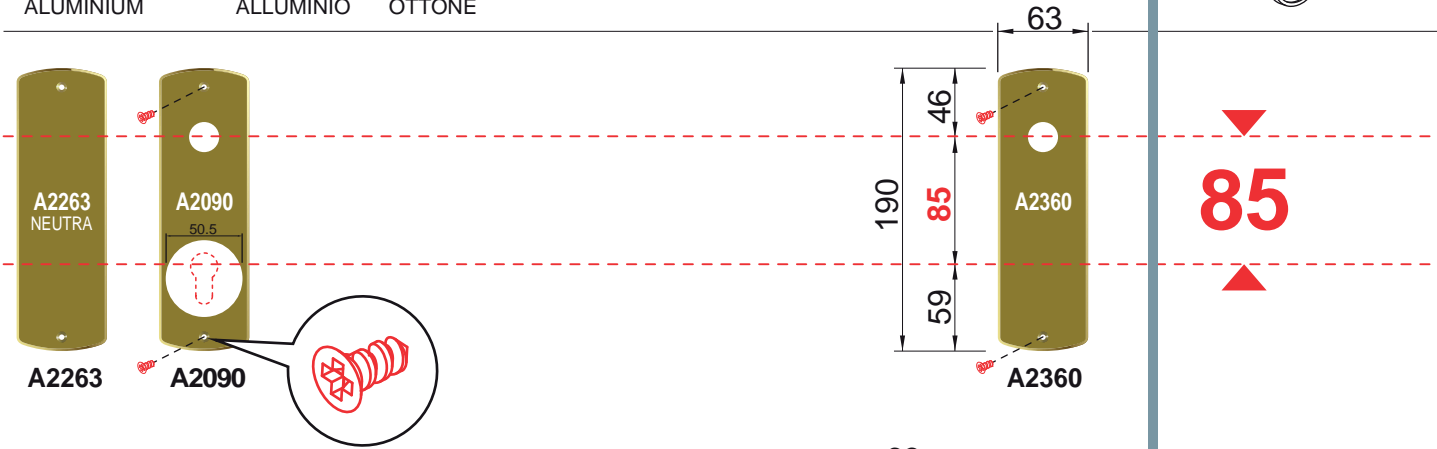
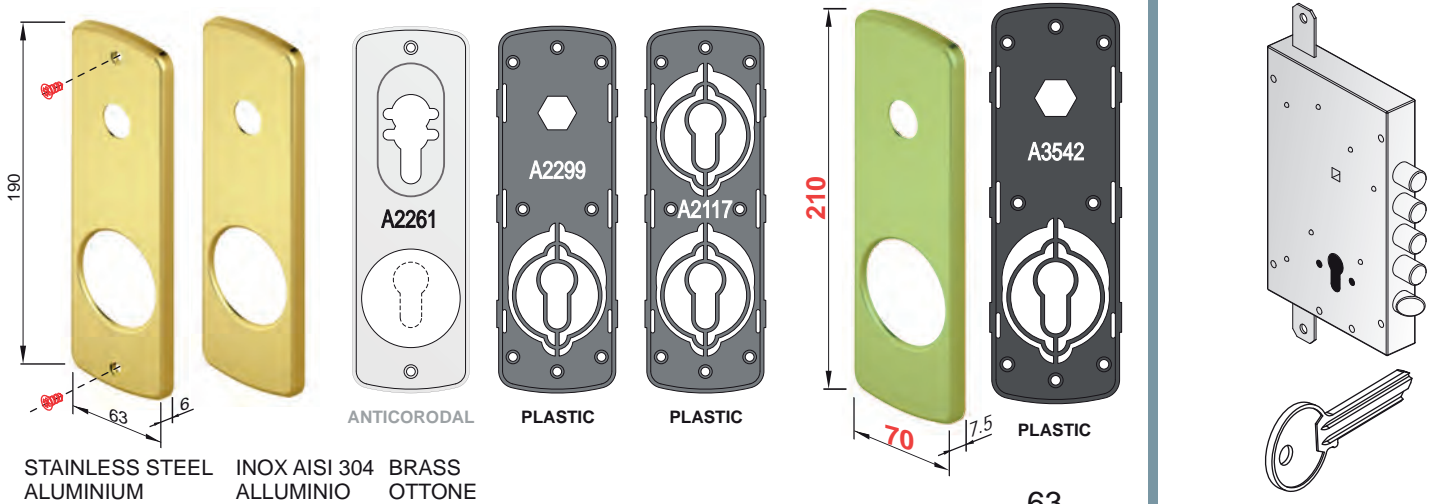
② PVD Ottone
PVD Brass

ⒷS Bronzo satinato
Satin Bronze

- C** Cromo lucido
Bright Chrome
- T** Cromo satinato
Satin Chrome
- B** Bronzo
Bronze

- BS** Bronzo satinato
Satin Bronze
- L** Ottone lucido
Bright Brass
- 2** PVD Ottone
PVD Brass

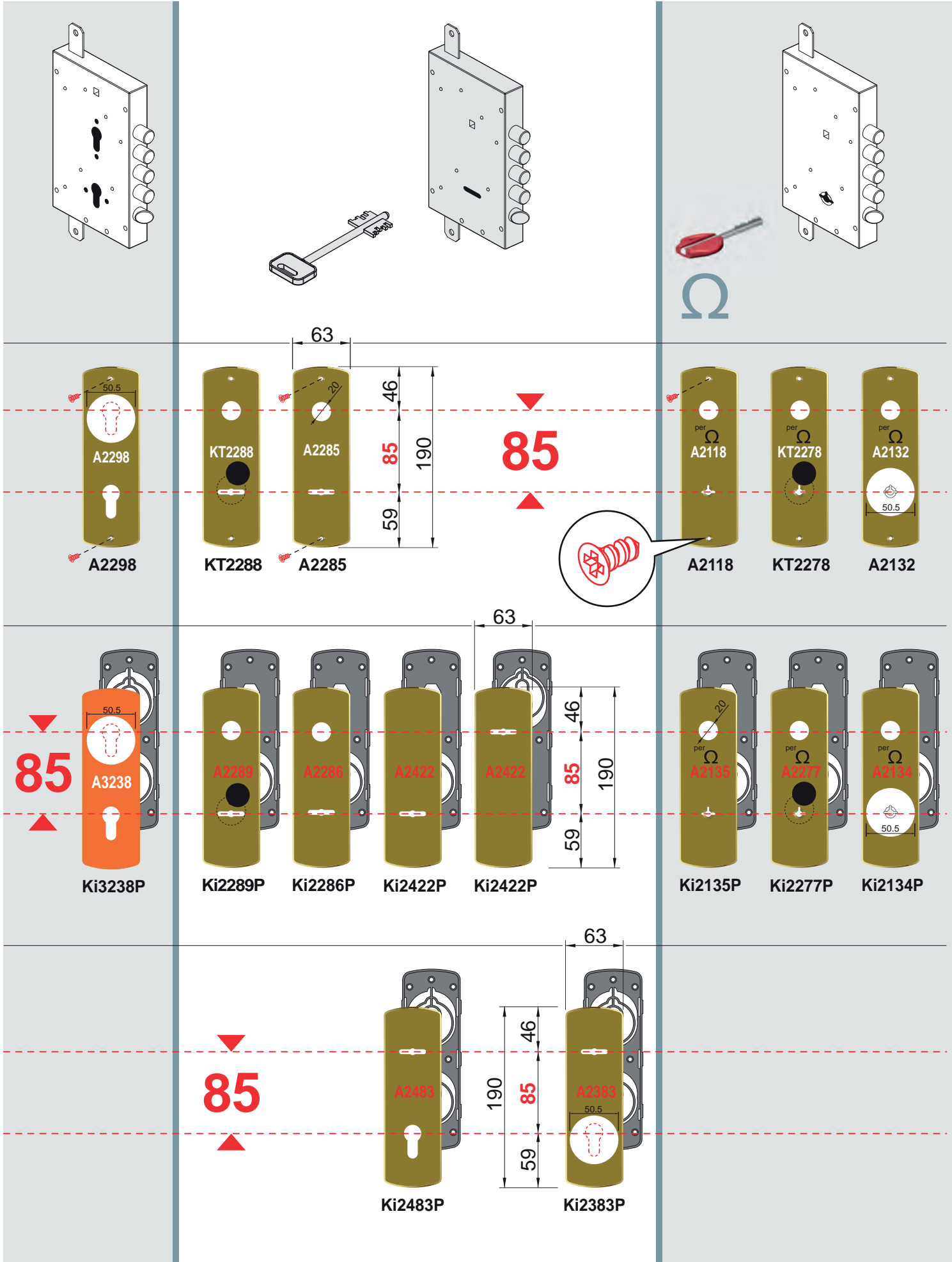
- IT** Inox satinato
Satin S.Steel
- 9** Oro anodizzato
Anodized Gold
- 6** Argento anodizzato
Anodized Silver

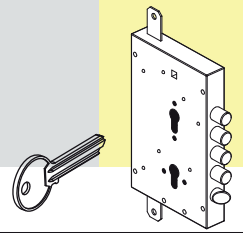


- C** Cromo lucido
Bright Chrome
- T** Cromo satinato
Satin Chrome
- B** Bronzo
Bronze

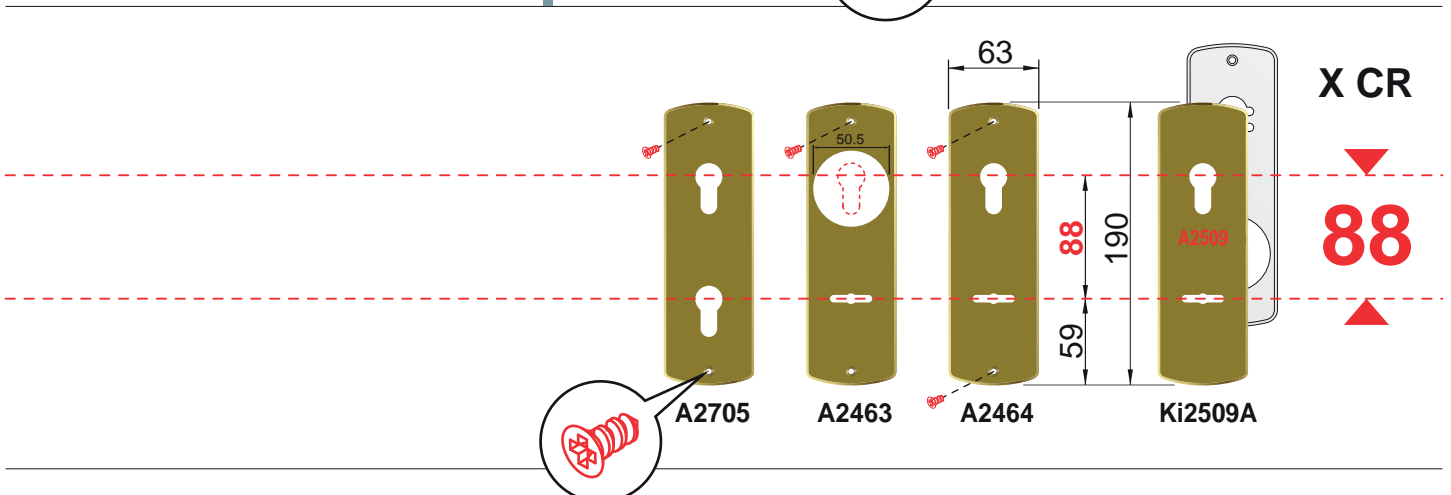
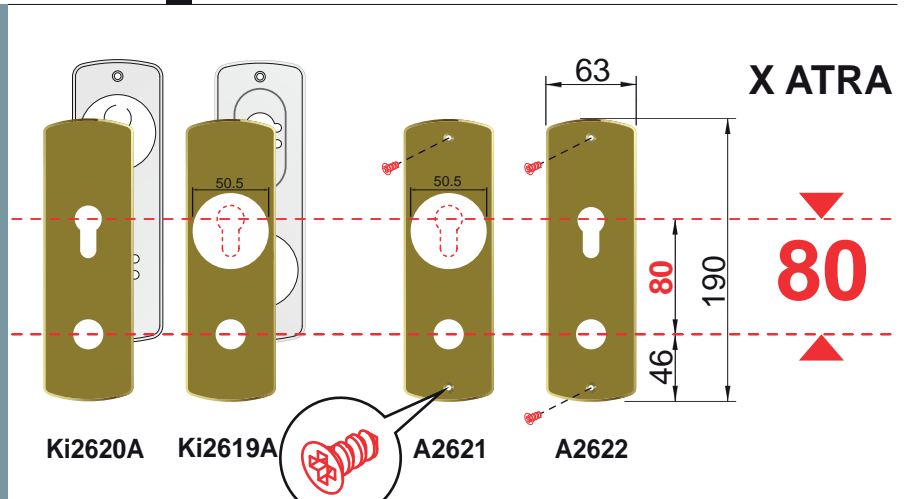
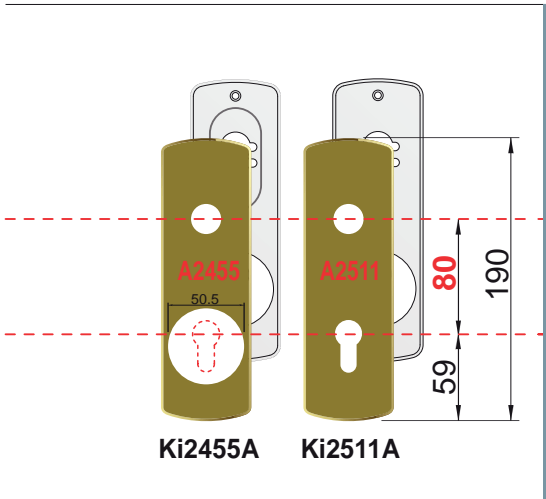
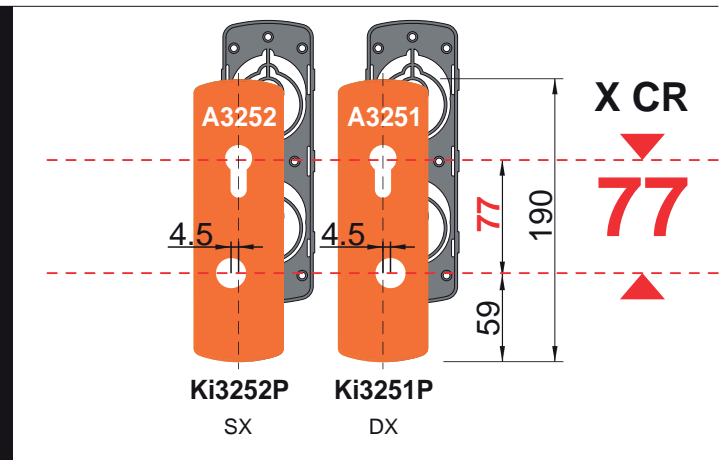
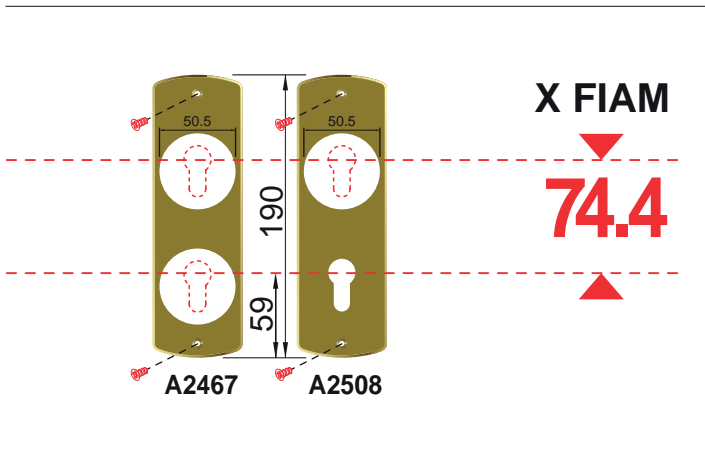
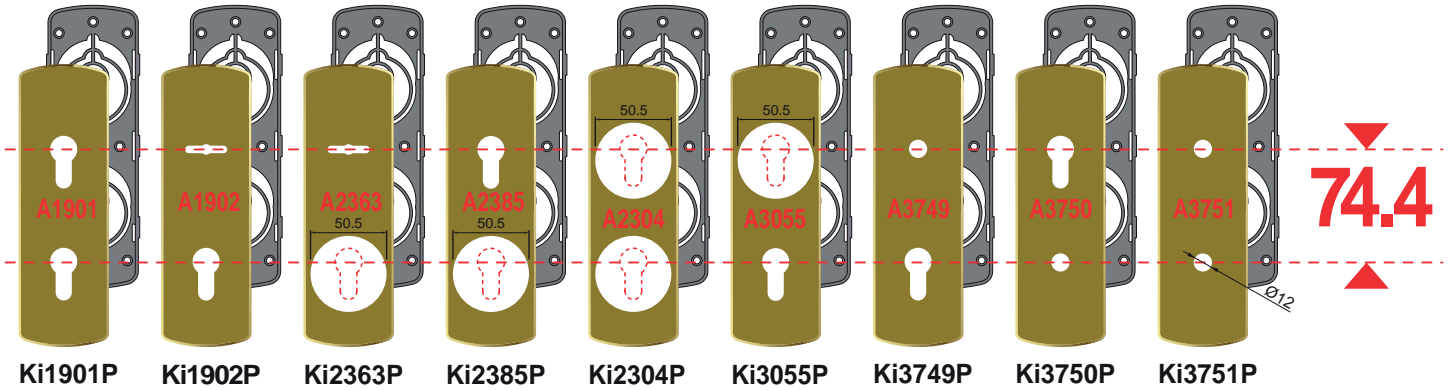
- BS** Bronzo satinato
Satin Bronze
- L** Ottone lucido
Bright Brass
- 2** PVD Ottone
PVD Brass

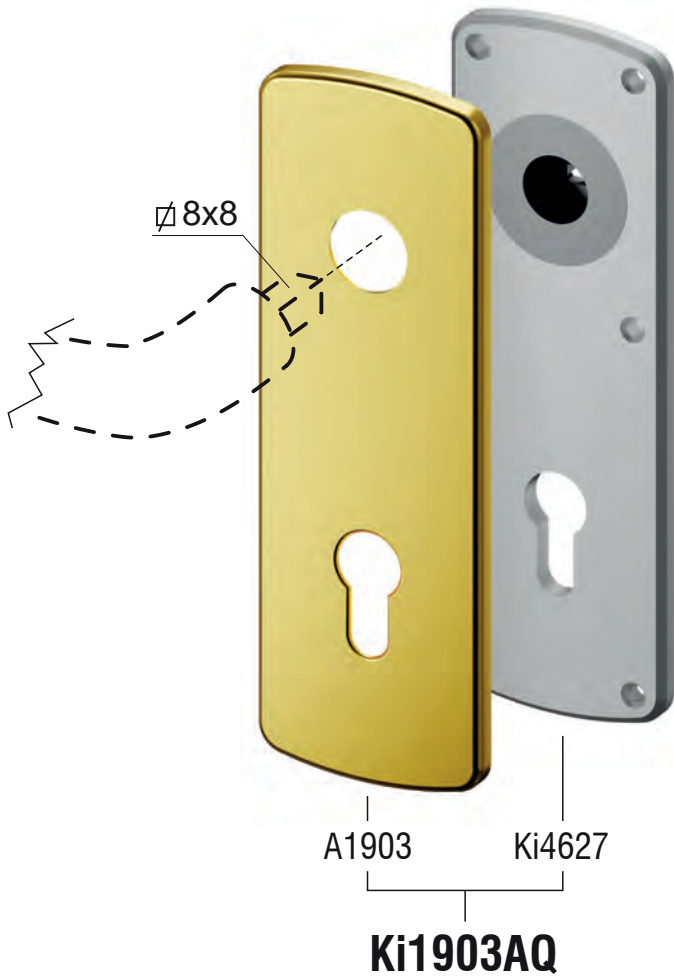
- IT** Inox satinato
Satin S.Steel
- 9** Oro anodizzato
Anodized Gold
- 6** Argento anodizzato
Anodized Silver



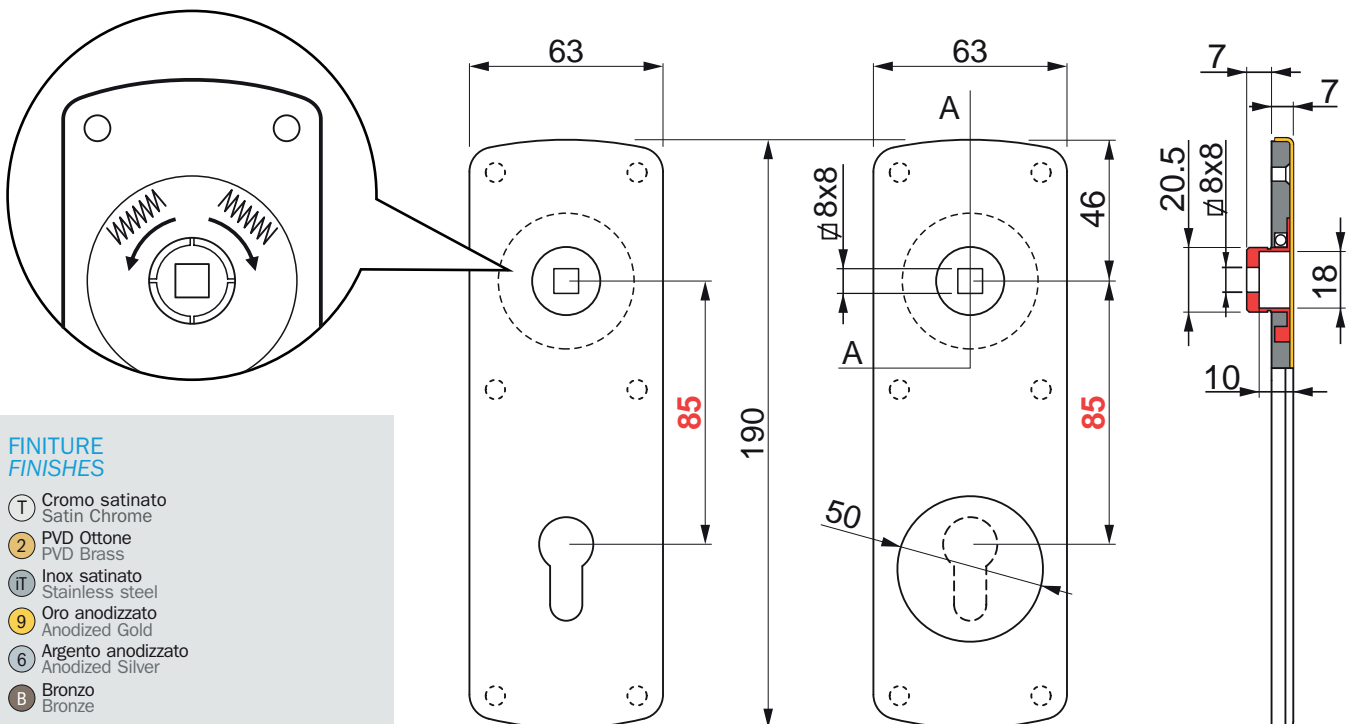


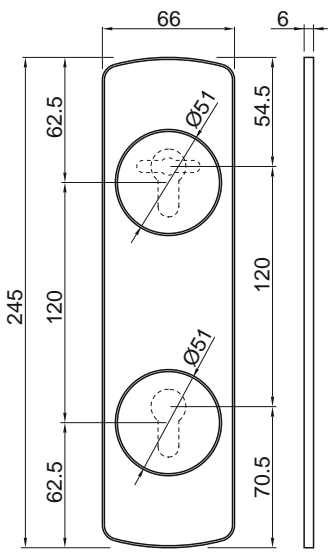
X FIAM





ROSETTA CON MOLLA
DX/SX QUADRO 8





Ki3771P



Ki3772P



Ki3773P



Ki3803P



Ki3774P



Ki3775P



Ki3776P



Ki3995P



Ki3994P



Ki3777P



Ki3778P



Ki3779P



Ki3996P



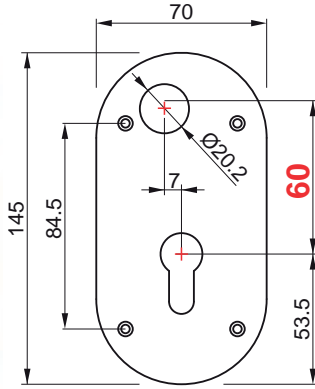
Ki3997P



A4700



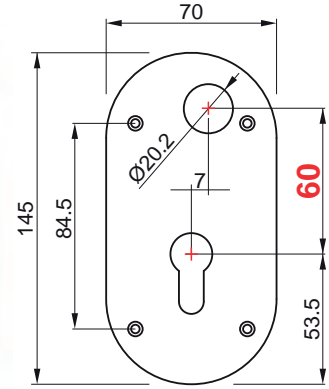
X MOTTURA



A4699



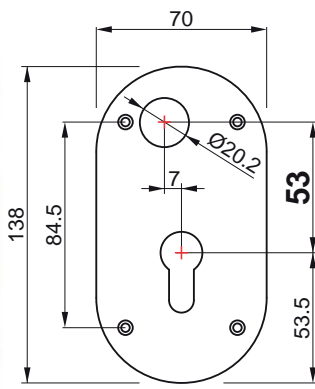
X MOTTURA



A2777



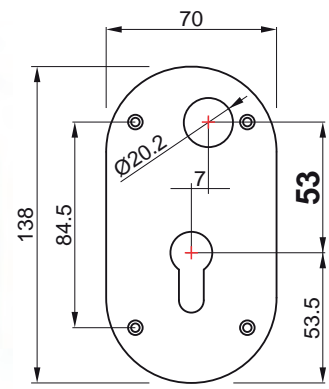
X MOIA



A2950



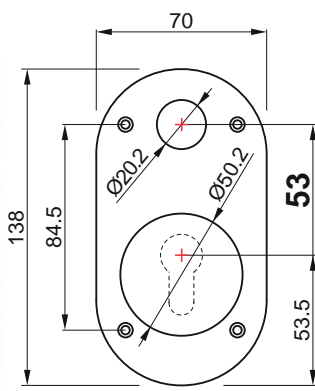
X MOIA



A2778



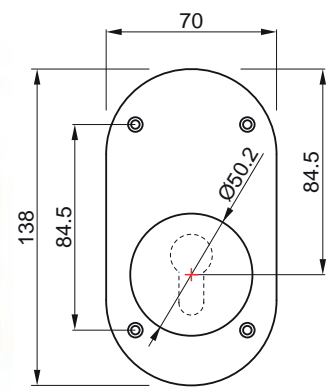
X MOIA



A2776



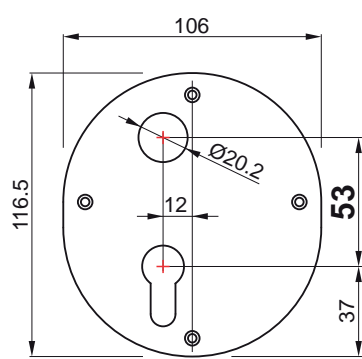
X MOIA



A2951



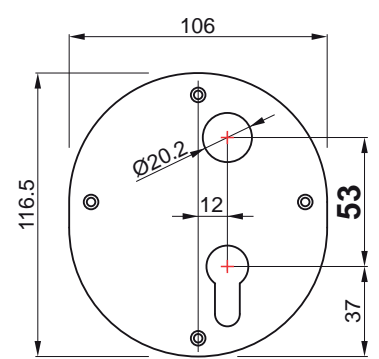
X MOIA



A2779



X MOIA



FINITURE / FINISHES

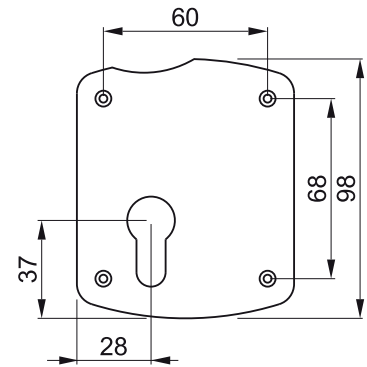
- C Cromo lucido
Bright Chrome
- T Cromo satinato
Satin Chrome
- B Bronzo
Bronze
- 2 PVD Ottone
PVD Brass
- BS Bronzo satinato
Satin Bronze



A2250
X ATRA
Dx/Sx



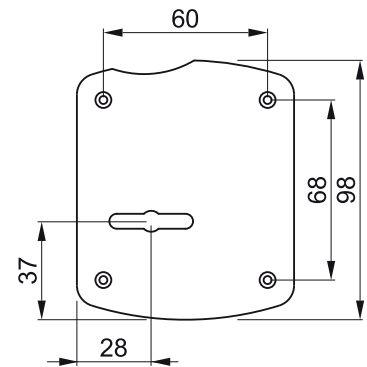
A1608
X ATRA
Dx/Sx



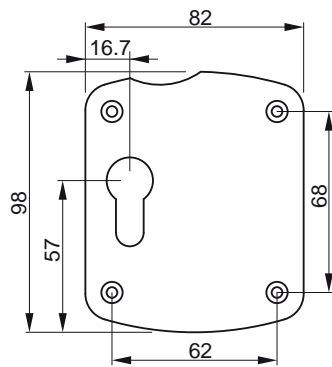
A2076



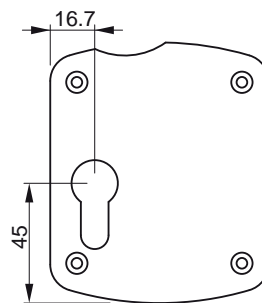
A1964
Dx/Sx



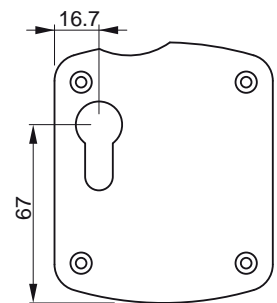
A2499



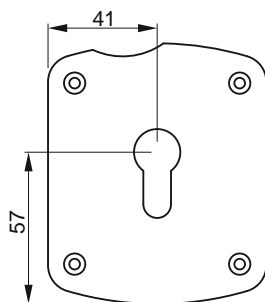
A2500



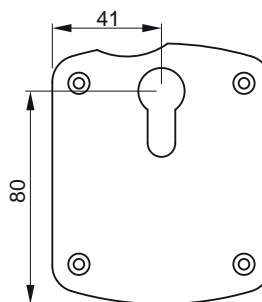
A2501



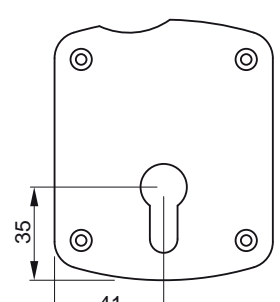
A2502



A2503



A2504



FINITURE / FINISHES

C Cromo lucido
Bright Chrome

T Cromo satinato
Satin Chrome

S Cromo opaco
Mat Chrome

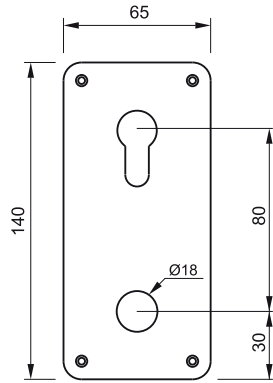
B Bronzo
Bronze

L Ottone lucido
Bright Brass

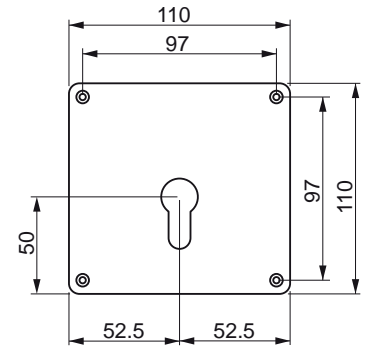
2 PVD Ottone
PVD Brass



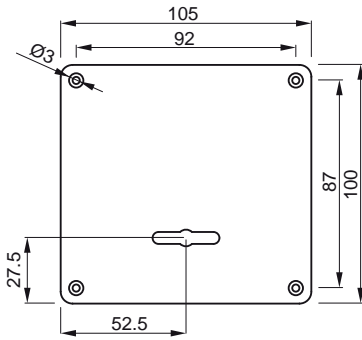
A1894
X MOTTURA



A2493
X Rif.01

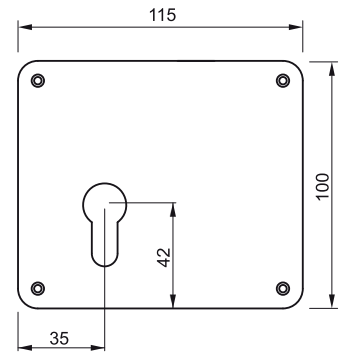


A1911
X Juwel



X Juwel art. 1301 1303 (X Asiaghi)

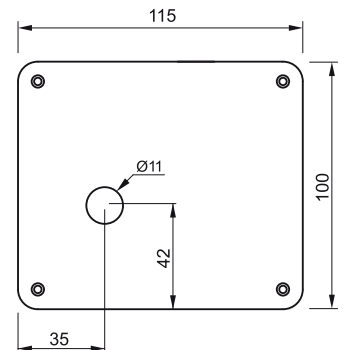
A1893
Dx/Sx
X MOTTURA
95066



A2016
X MOTTURA
95066



A2235
Dx/Sx
X MOTTURA
95066



FINITURE / FINISHES

C Cromo lucido
Bright Chrome

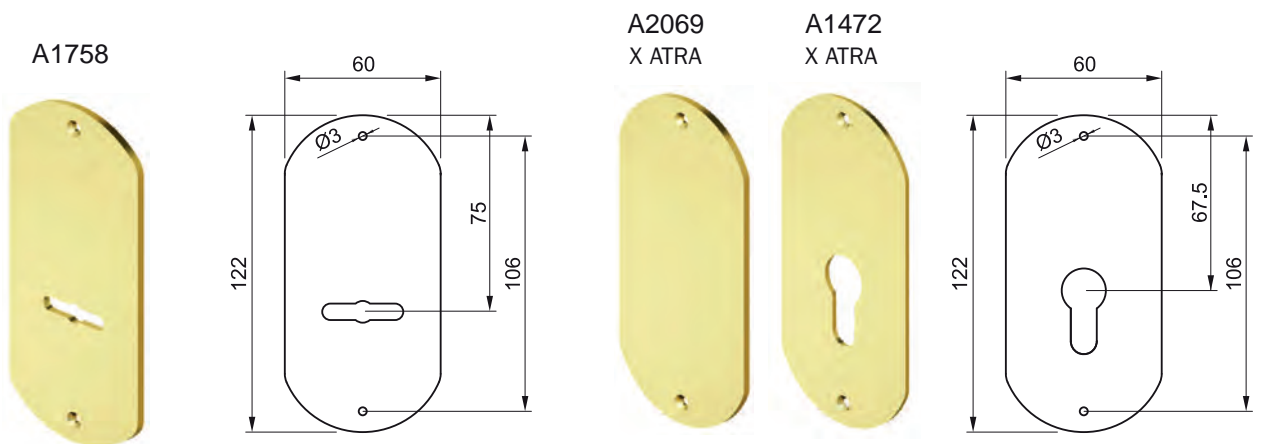
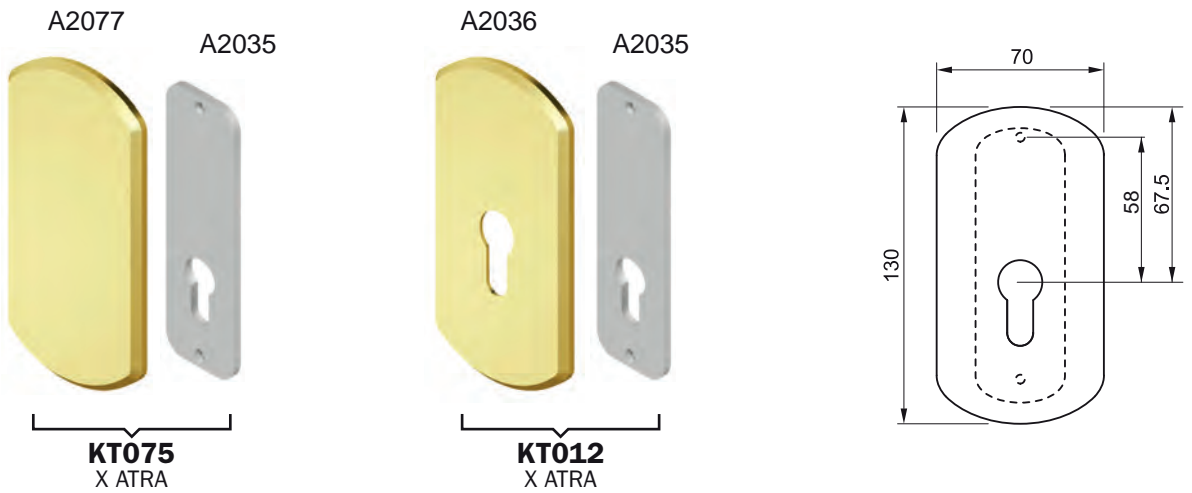
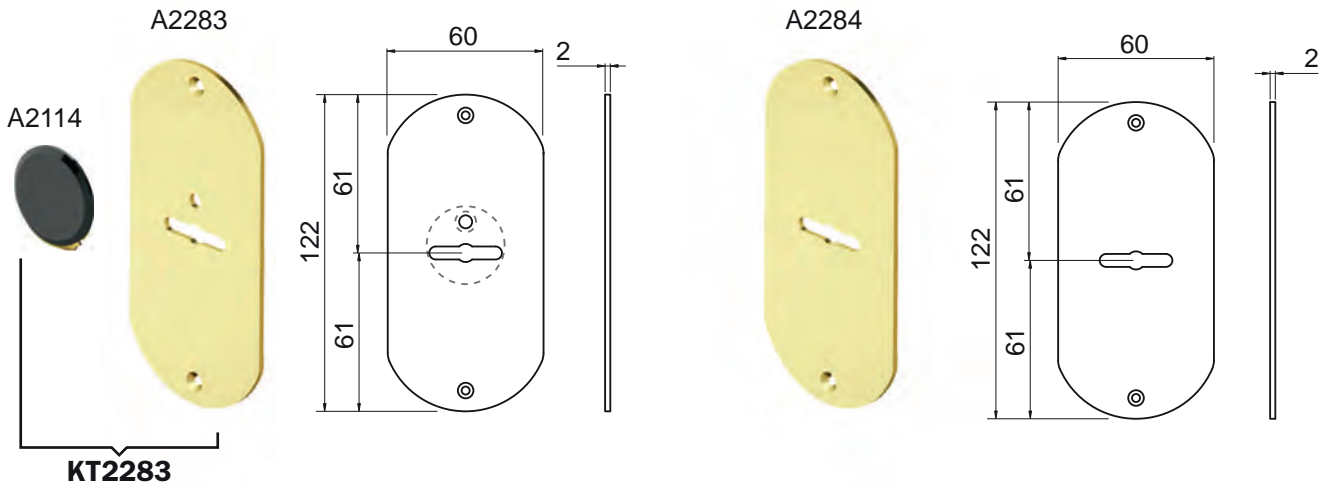
IT Inox satinato
Satin S.Steel

B Bronzo
Bronze

L Ottone lucido
Bright Brass

2 PVD Ottone
PVD Brass

BS Bronzo satinato
Satin Bronze

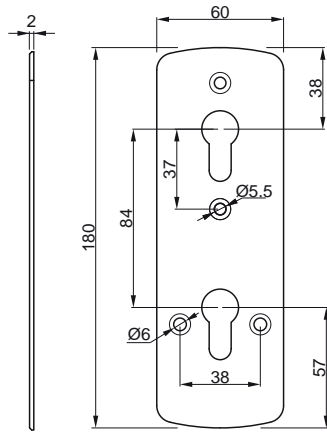


FINITURE / FINISHES

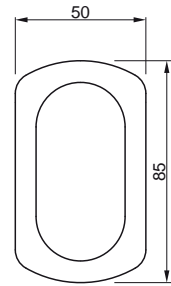
- (C) Cromo lucido
Bright Chrome
- (IT) Inox satinato
Satin S.Steel
- (B) Bronzo
Bronze
- (2) PVD Ottone
PVD Brass
- (BS) Bronzo satinato
Satin Bronze



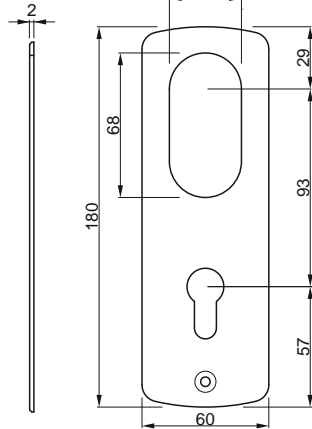
A2139
Sp. 2 mm



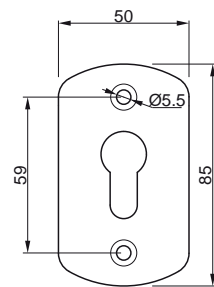
A2136



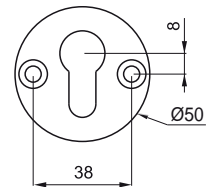
A2137
X OR14
Sp. 2 mm



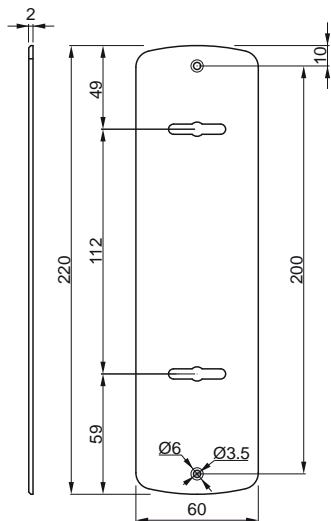
A2138



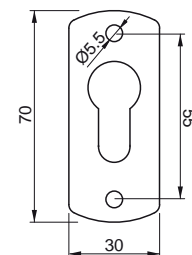
A2160
Sp. 2 mm



A2148
Sp. 2 mm



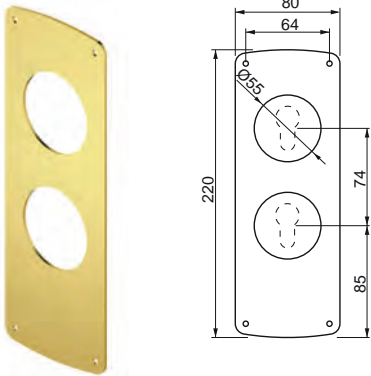
A0036 Sp. 1 mm
A0045 Sp. 2.5 mm



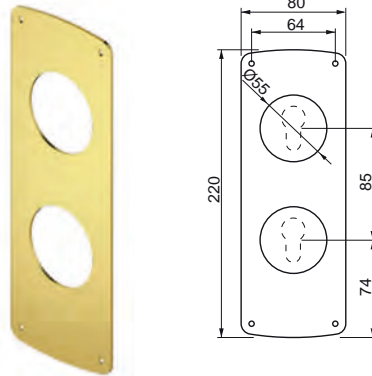
FINITURE / FINISHES

- C** Cromo lucido
Bright Chrome
- IT** Inox satinato
Satin S.Steel
- B** Bronzo
Bronze
- 2** PVD Ottone
PVD Brass

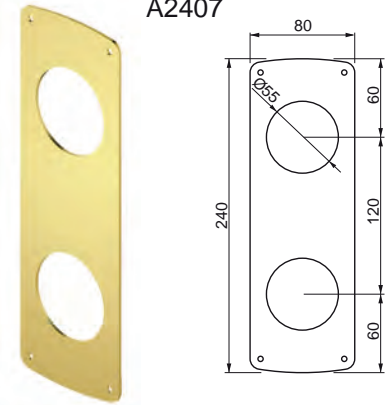
A2505



A3091

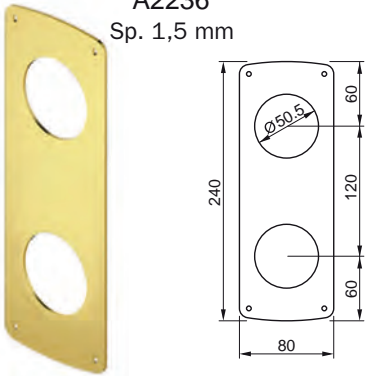


A2407

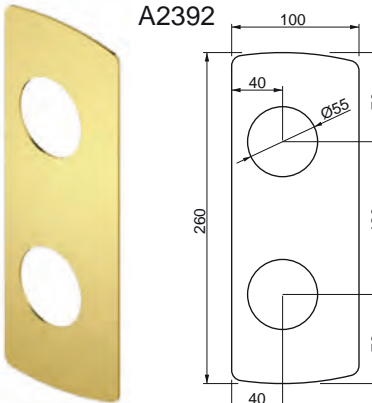


A2236

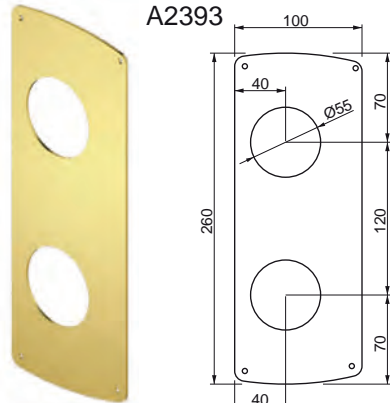
Sp. 1,5 mm



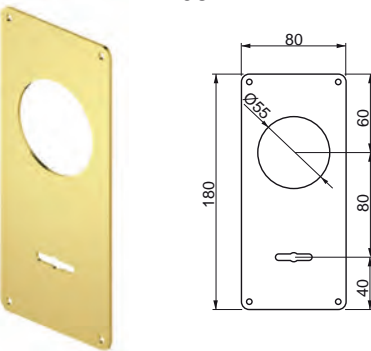
A2392



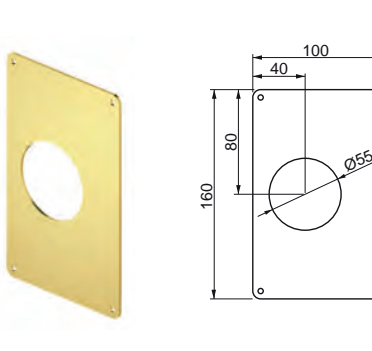
A2393



A2408

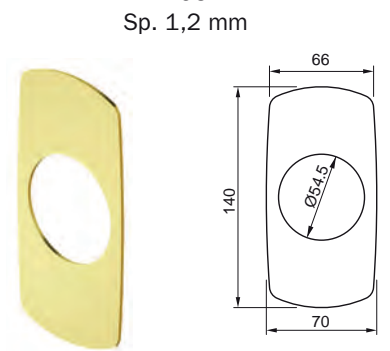


A2442

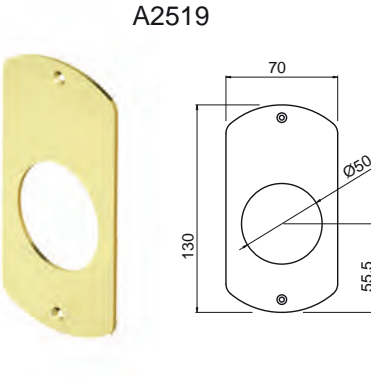


A1962

Sp. 1,2 mm

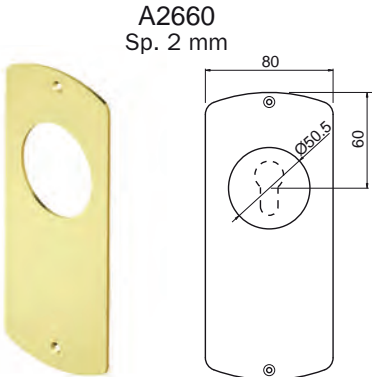


A2519



A2660

Sp. 2 mm



FINITURE / FINISHES

C Cromo lucido
Bright Chrome

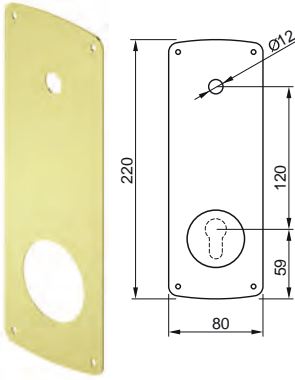
IT Inox satinato
Satin S.Steel

B Bronzo
Bronze

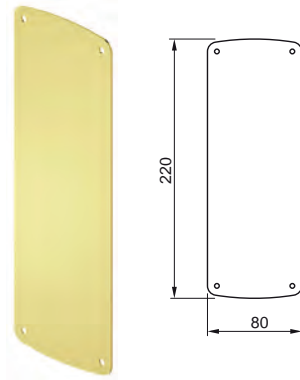
2 PVD Ottone
PVD Brass



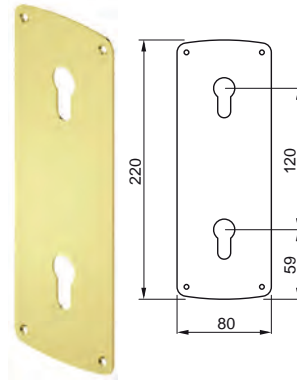
A4668
Sp. 1.5 mm



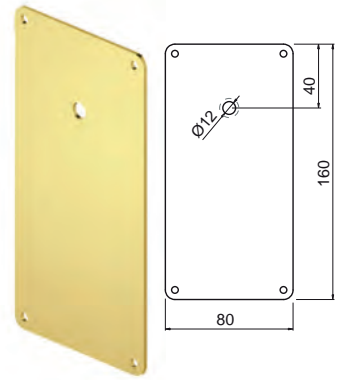
A2237
Sp. 1.5 mm



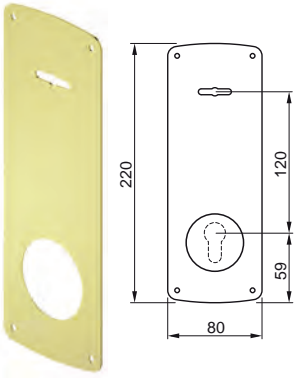
A1983
Sp. 1.5 mm



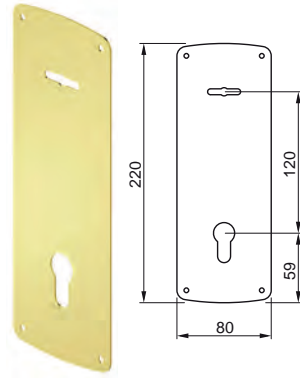
A2409
Sp. 2 mm



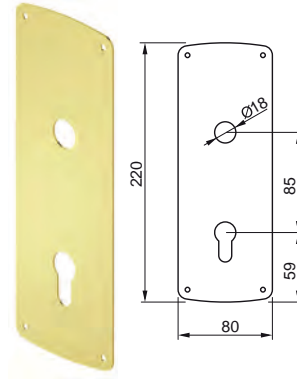
A4667
Sp. 1.5 mm



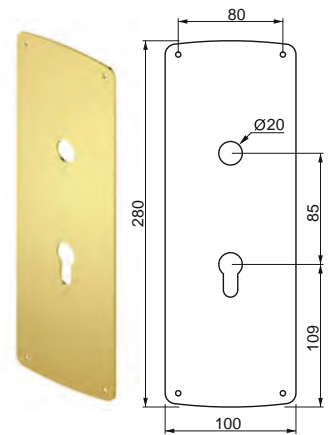
A1984
Sp. 1.5 mm



A1985
Sp. 1.5 mm



A2441



FINITURE / FINISHES

C Cromo lucido
Bright Chrome

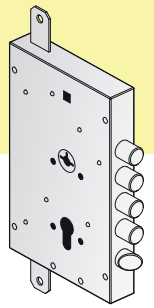
T Cromo satinato
Satin Chrome

IT Inox satinato
Satin S.Steel

B Bronzo
Bronze

L Ottone lucido
Bright Brass

2 PVD Ottone
PVD Brass



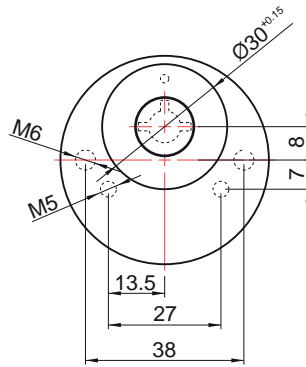
MA3086
X OMEGA



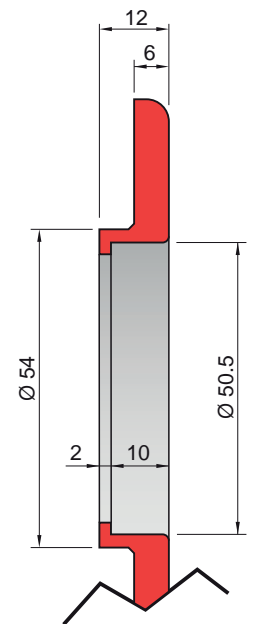
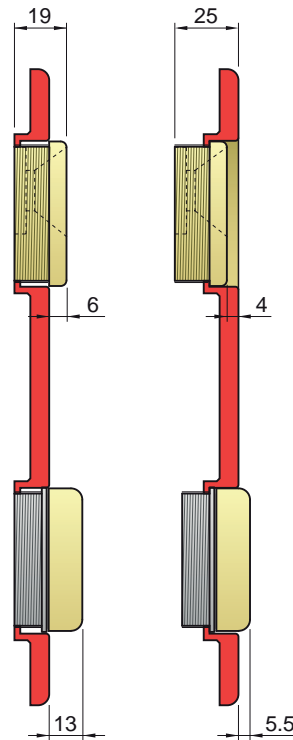
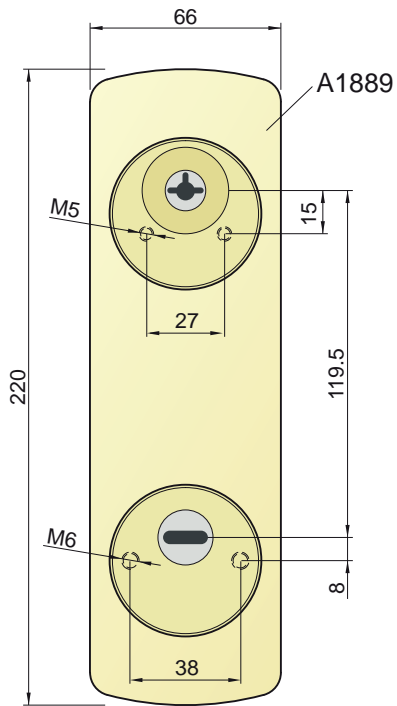
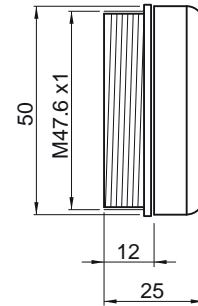
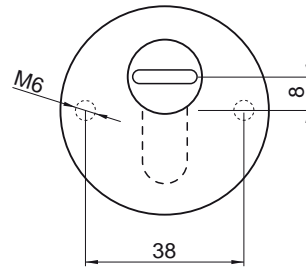
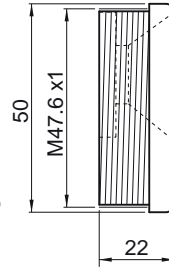
MONOLITO



KT2108-25D1
X OMEGA

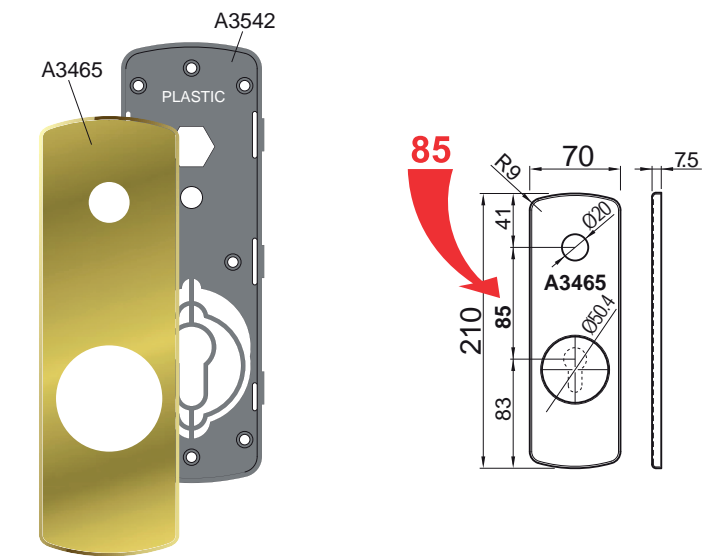
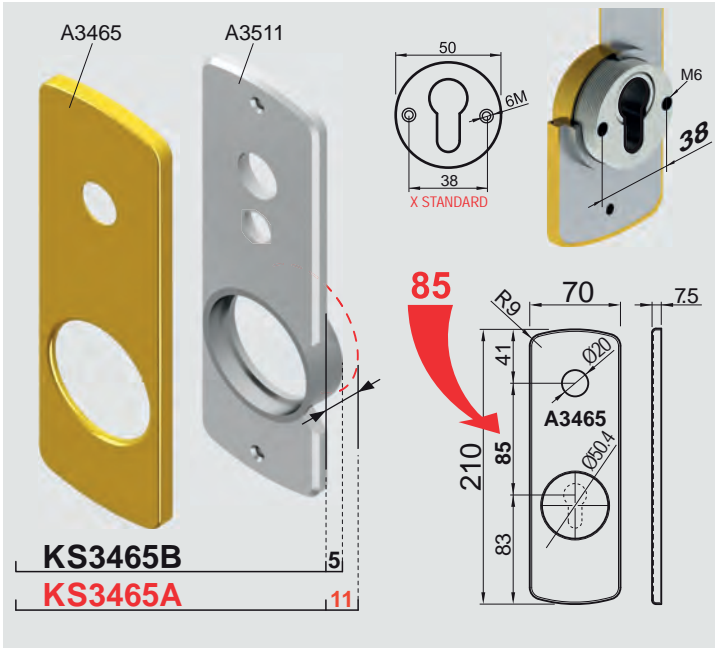


MA3086
X OMEGA



FINITURE / FINISHES

- T Cromo satinato
Satin Chrome
- 2 PVD Ottone
PVD Brass
- B Bronzo
Bronze



Ki3465P X TESIO

Ki2820P X TESIO

DIAMOND
PAT. PEND.



25 MA3536

MONOLITO KRYPTON
PAT. PEND.



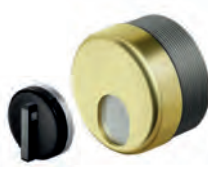
20 MA3633
25 MA3527
35 MA3626
45 MA3628

MONOLITO
PAT. PEND.



20 MA2371
25 MA2665
35 MA1927
45 MA2702

MAG ROUND
PAT. PEND.



20 MR12920
25 MR12925
35 MR12935
45 MR12945

MRM27
PAT. PEND.



20 MR12720
25 MR12725
35 MR12735
45 MR12745

MAG3G
PAT. PEND.



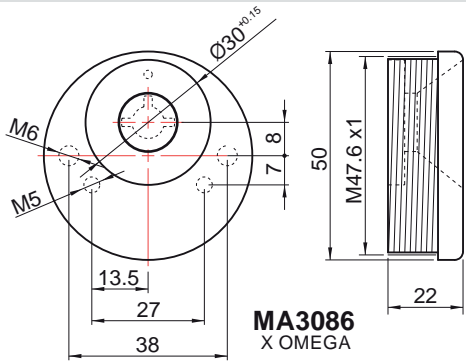
20 3G220
25 3G225
35 3G235

MAG4GN
PAT. PEND.



20 4GN220
25 4GN225
35 4GN235

- C** Cromo lucido / Bright Chrome
- T** Cromo satinato / Satin Chrome
- B** Bronzo / Bronze
- 2** PVD Ottone / PVD Brass
- TT** Ottone satinato / Satin Brass
- BS** Bronzo satinato / Satin Bronze
- IT** Inox satinato / Stainless steel



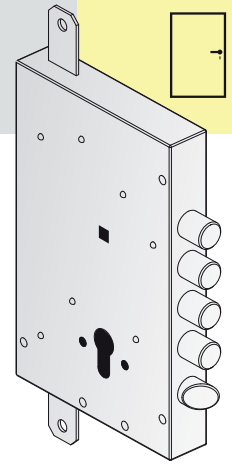
X Ω

MA3086
X OMEGA

A2115

KS2115A
KS2115B

ACCIAIO
STEEL



A2326

AS2326B

AS2326A

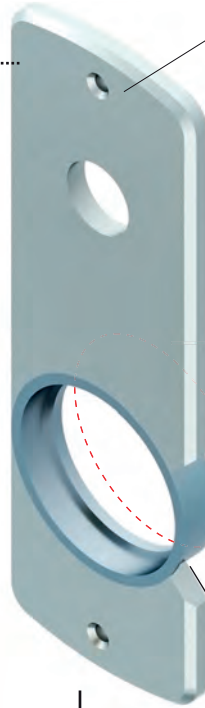
A2301

A2302

5

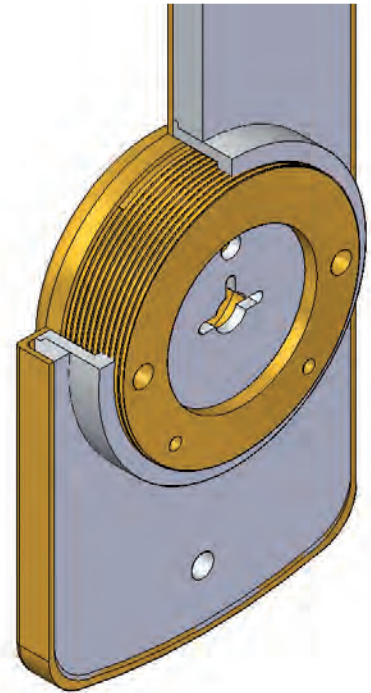
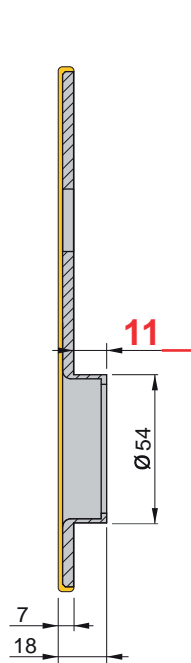
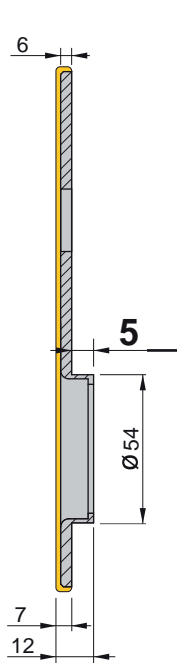
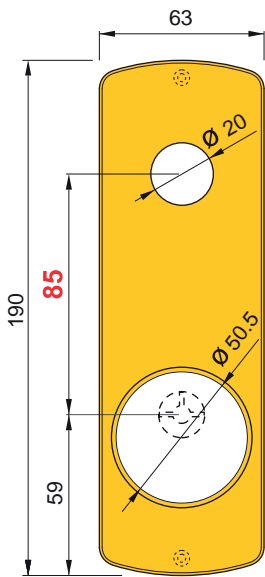
11

MA3086



KTB10800

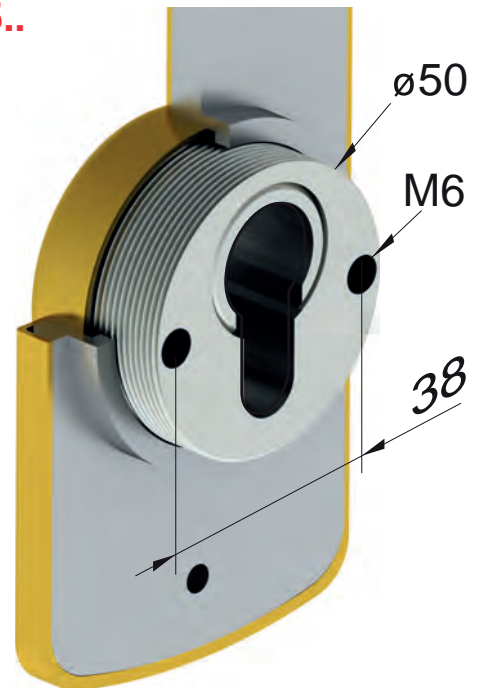
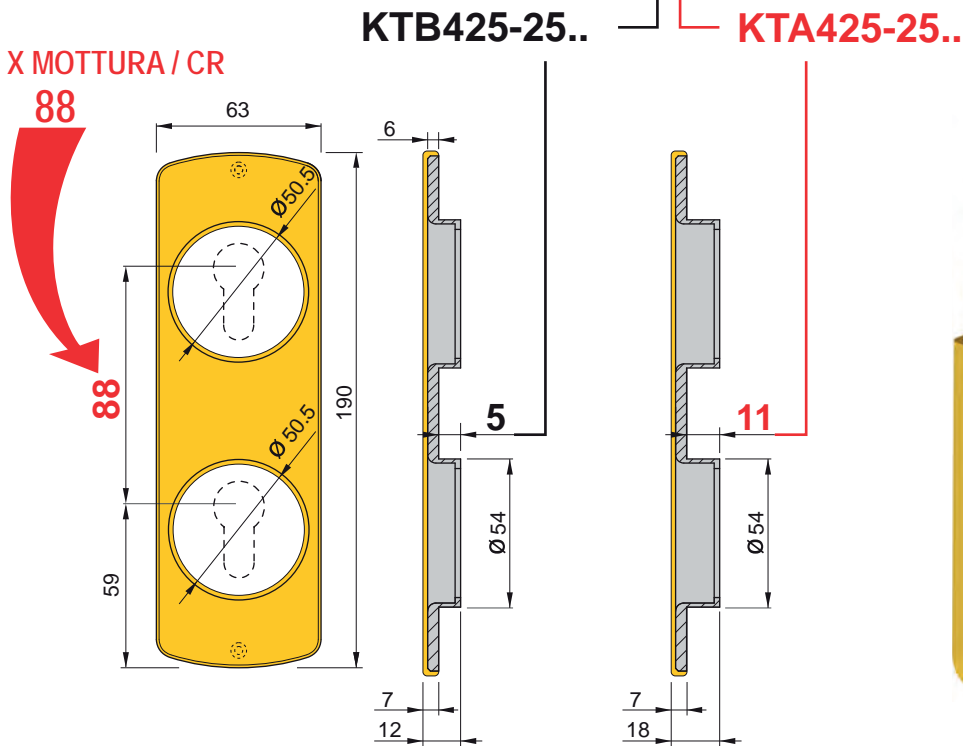
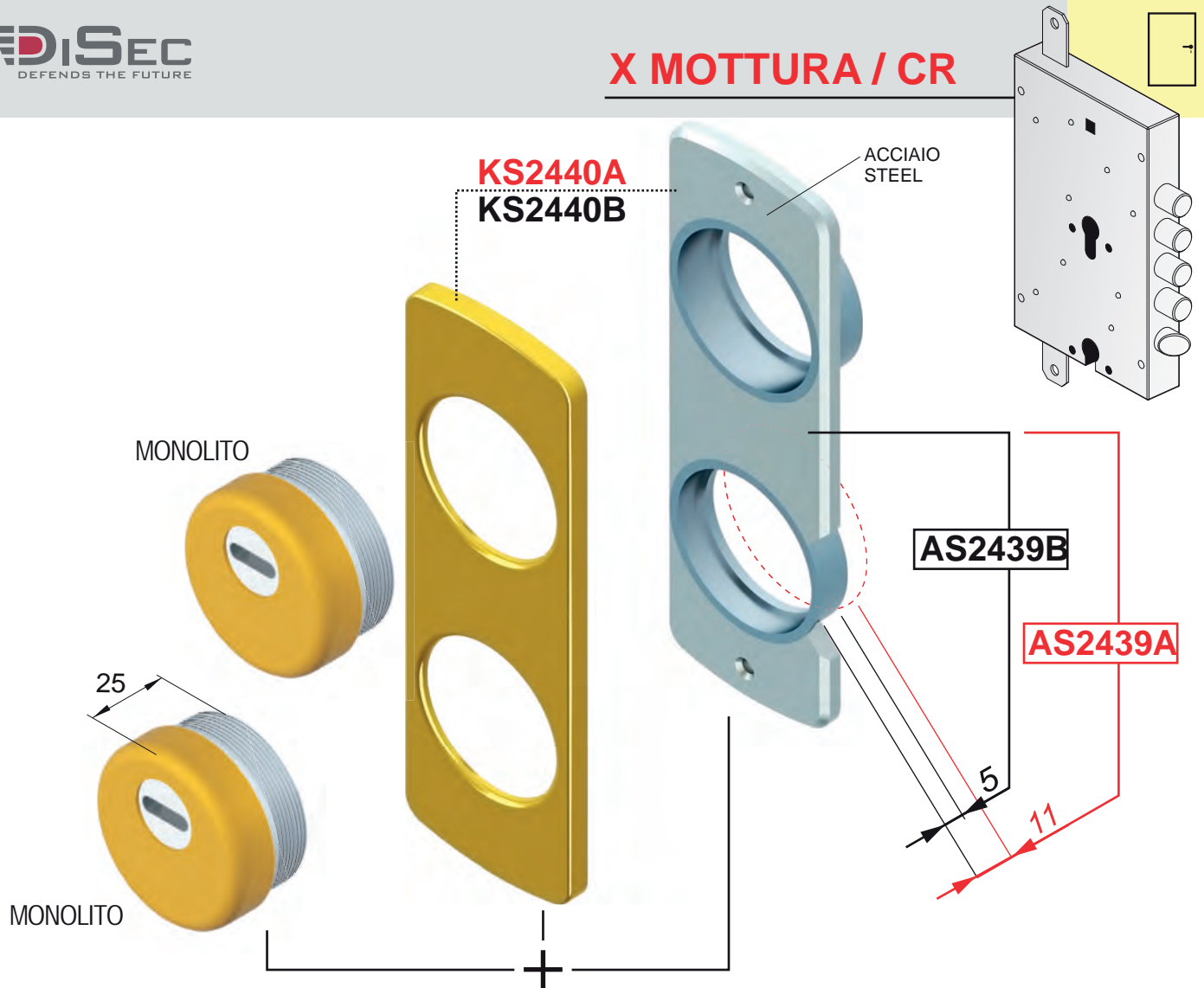
KTA10800



FINITURE / FINISHES

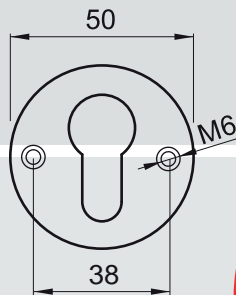
- (C) Cromo lucido
Bright Chrome
- (T) Cromo satinato
Satin Chrome
- (B) Bronzo
Bronze
- (OZ) Ottone Zapponato
Satin Brass
- (IT) Inox satinato
Stainless steel
- (2) PVD Ottone
PVD Brass
- (BS) Bronzo satinato
Satin Bronze

X MOTTURA / CR



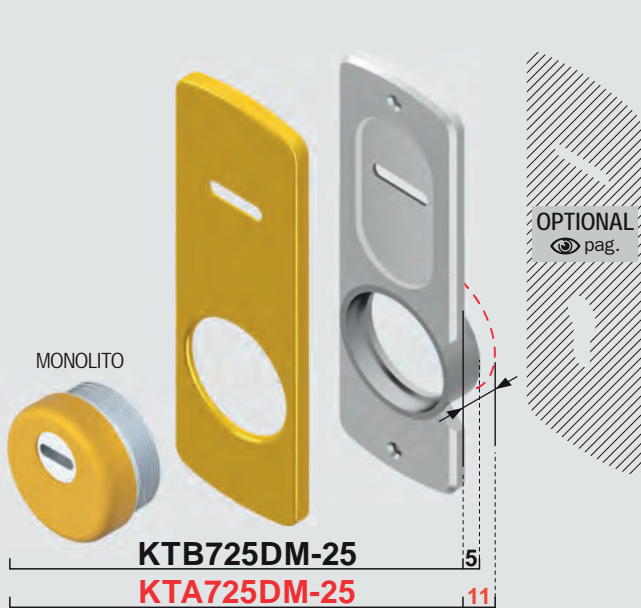
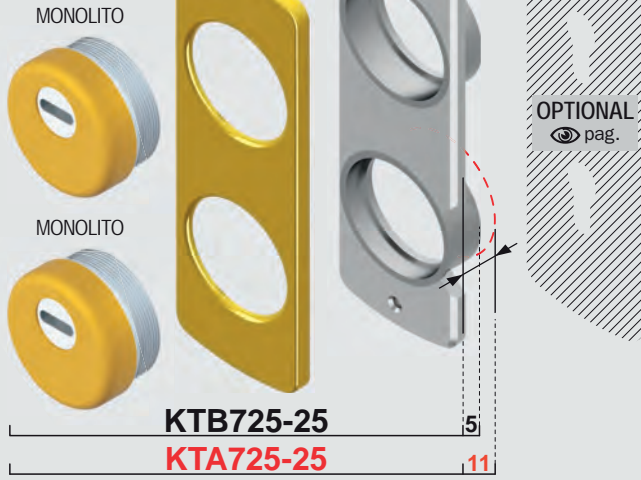
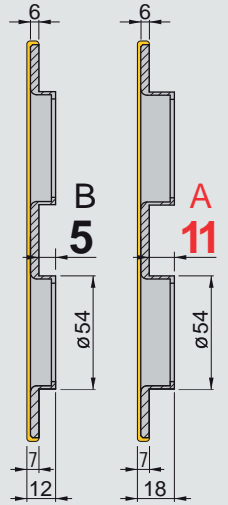
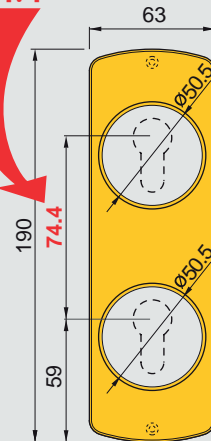
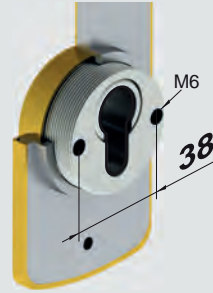
FINITURE / FINISHES

- | | | | |
|--|---|---|--|
| C Cromo lucido
Bright Chrome | T Cromo satinato
Satin Chrome | B Bronzo
Bronze | OLZ Ottone Zapponato
Satin Brass |
| IT Inox satinato
Stainless steel | 2 PVD Ottone
PVD Brass | BS Bronzo satinato
Satin Bronze | |

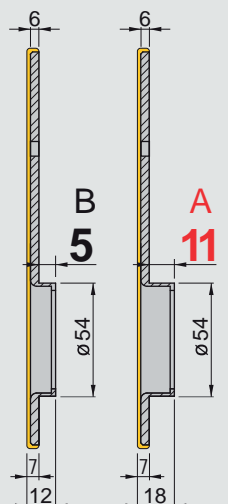
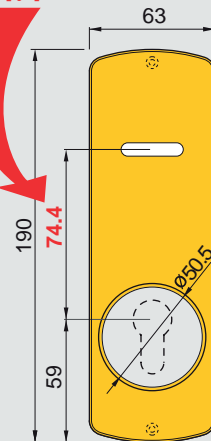
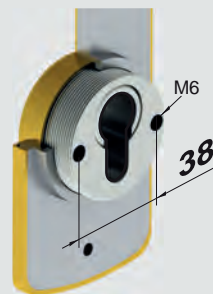


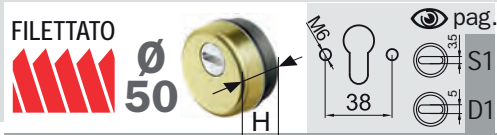
X STANDARD
X FIAM

X FIAM
74.4

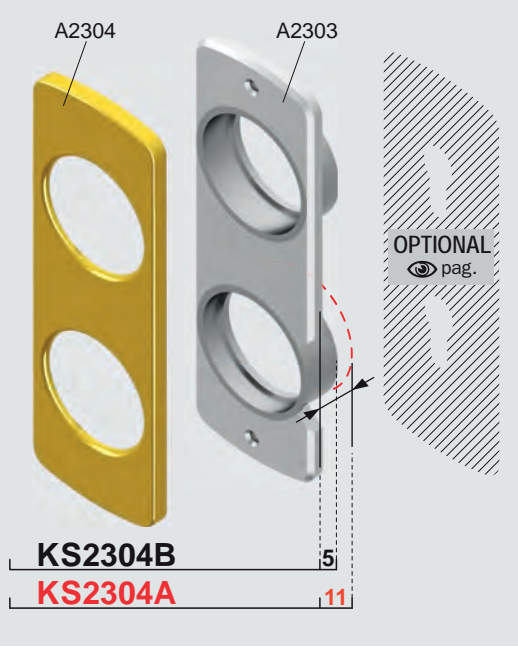


X FIAM
74.4





FINITURE FINISHES



25 MA3536



20 MA3633
25 MA3527
35 MA3626
45 MA3628



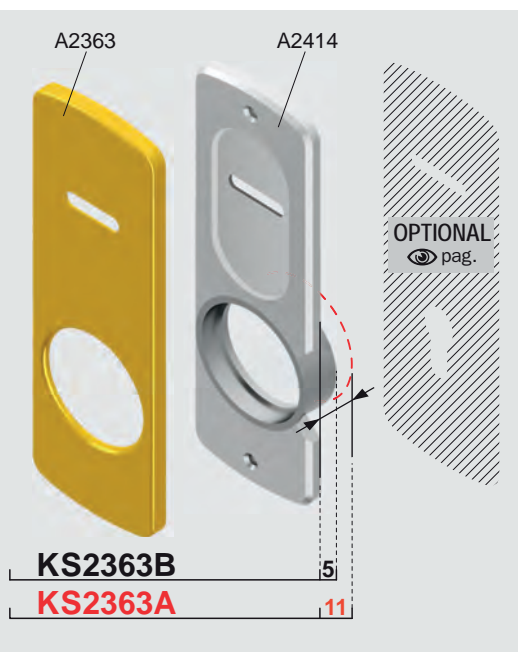
20 MA2371
25 MA2665
35 MA1927
45 MA2702



20 MR12920 MR29820
25 MR12925 MR29825
35 MR12935
45 MR12945



20 MR12720 MR27820
25 MR12725 MR27825
35 MR12735
45 MR12745

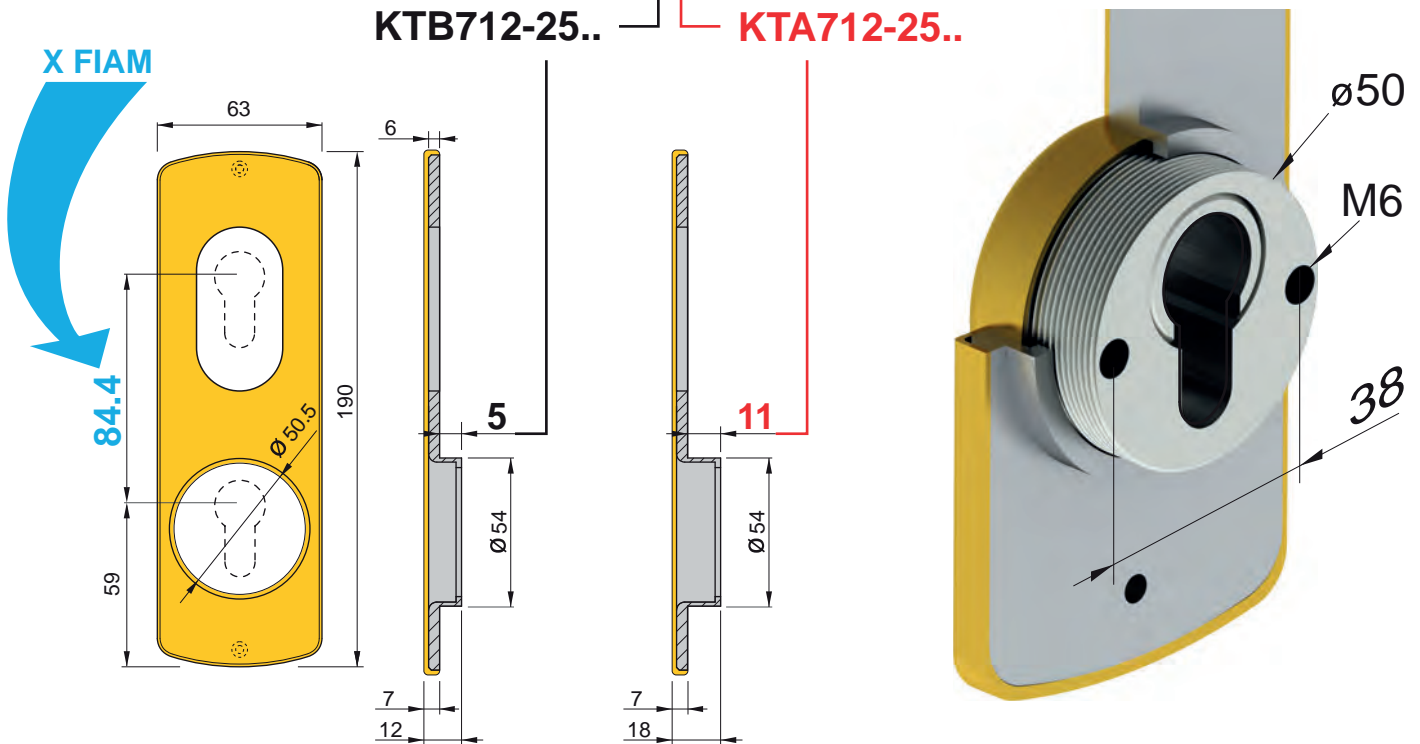
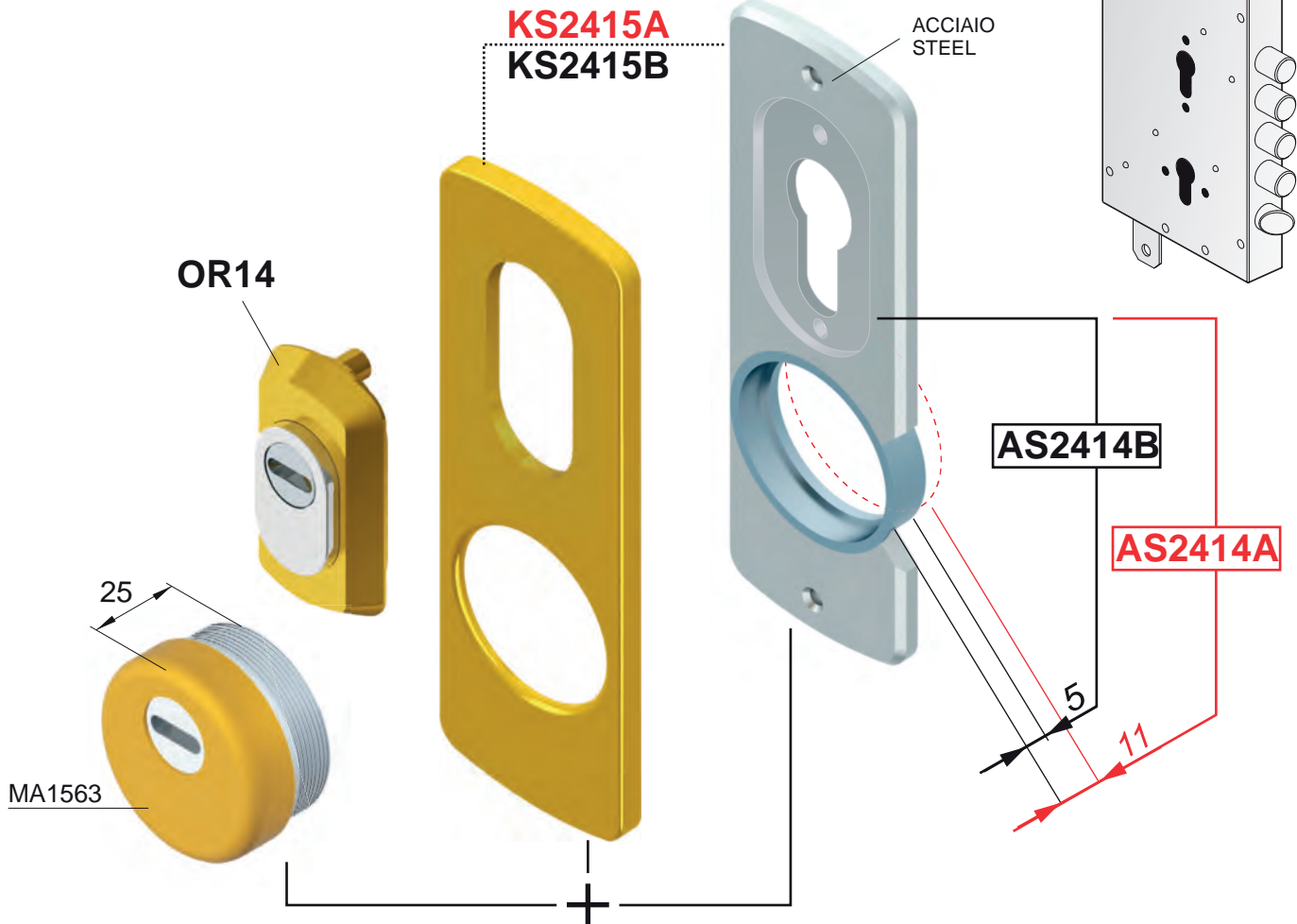
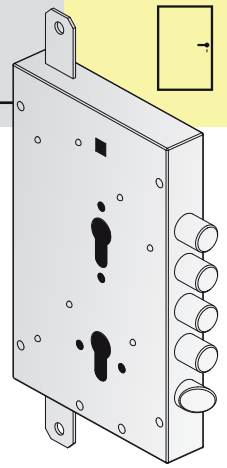


20 3G220 3G820
25 3G225
35 3G235



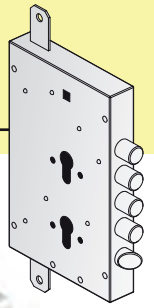
20 4GN220
25 4GN225
35 4GN235 4GN825

- C** Cromo lucido / Bright Chrome
- T** Cromo satinato / Satin Chrome
- B** Bronzo / Bronze
- 2** PVD Ottone / PVD Brass
- TT** Ottone satinato / Satin Brass
- BS** Bronzo satinato / Satin Bronze
- IT** Inox satinato / Stainless steel

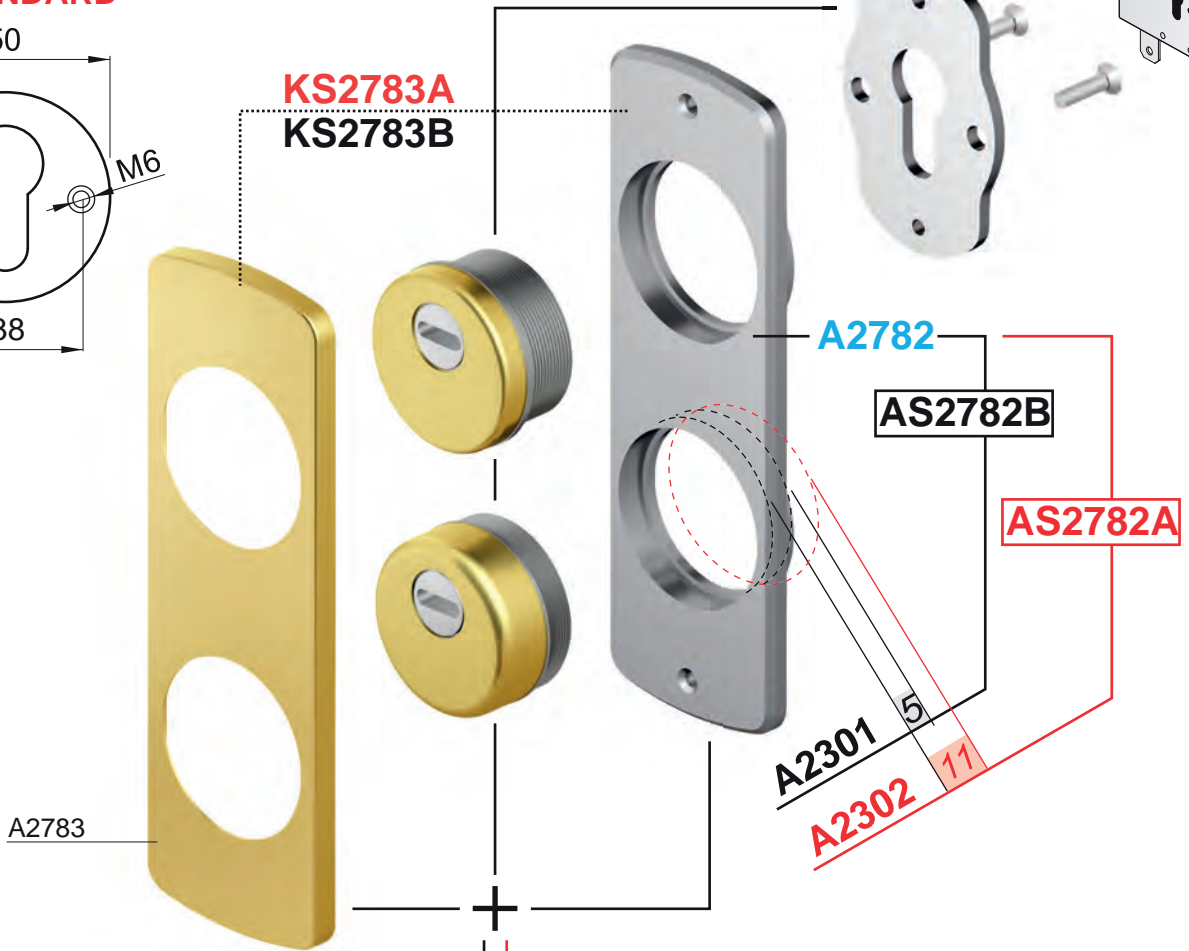
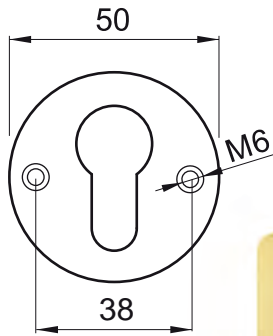


FINITURE / FINISHES

- | | | | |
|--|---|---|--|
| C Cromo lucido
Bright Chrome | T Cromo satinato
Satin Chrome | B Bronzo
Bronze | OLZ Ottone Zapponato
Satin Brass |
| IT Inox satinato
Stainless steel | 2 PVD Ottone
PVD Brass | BS Bronzo satinato
Satin Bronze | |



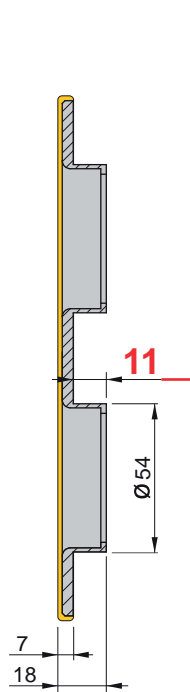
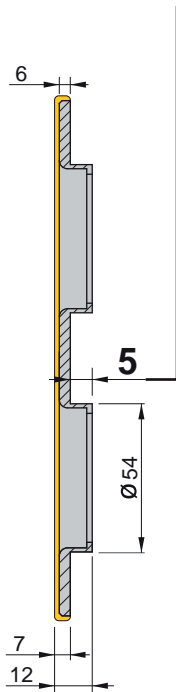
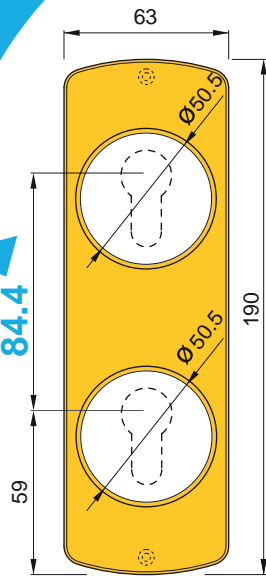
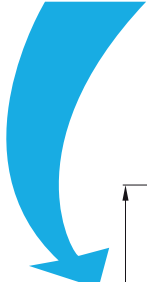
**X FIAM
X STANDARD**



KTB722-25..

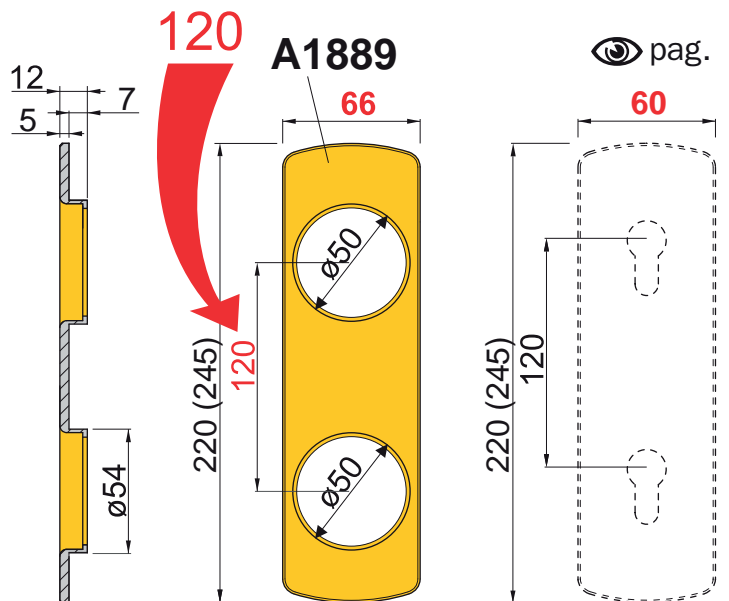
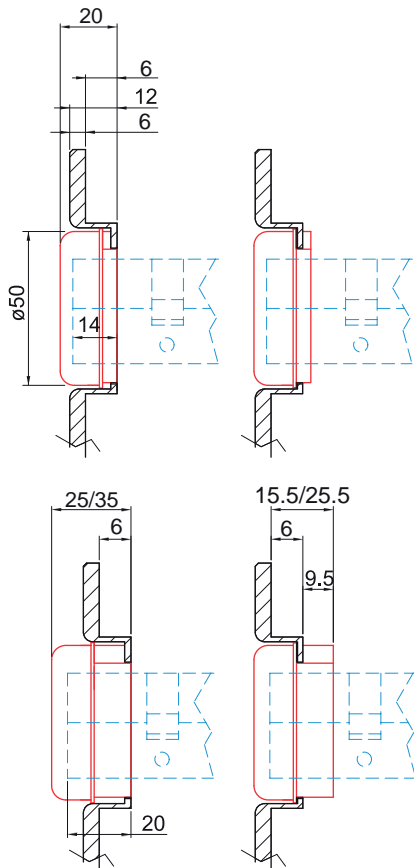
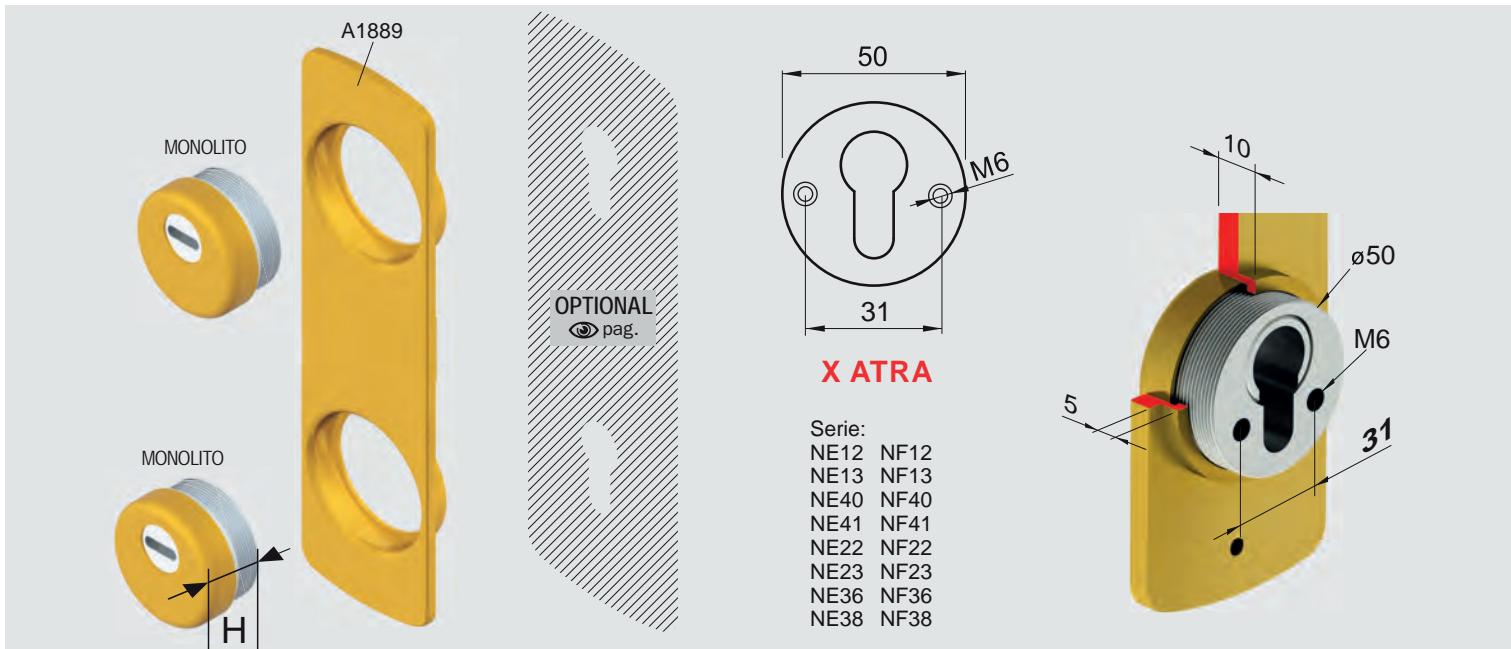
KTA722-25..

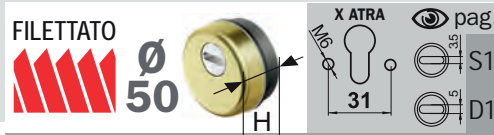
X FIAM



FINITURE / FINISHES

- (C) Cromo lucido
Bright Chrome
- (T) Cromo satinato
Satin Chrome
- (B) Bronzo
Bronze
- (OZ) Ottone Zapponato
Satin Brass
- (IT) Inox satinato
Stainless steel
- (2) PVD Ottone
PVD Brass
- (BS) Bronzo satinato
Satin Bronze





**FINITURE
FINISHES**

A1889



DIAMOND
PAT. PEND.



25 MA3535

MONOLITO KRYPTON
PAT. PEND.



20 MA3634
25 MA3526
35 MA3625
45 MA3627

MONOLITO
PAT. PEND.



20 MA2372
25 MA2731
35 MA1928
45

MAG ROUND
PAT. PEND.



20 MR13920..
25 MR13925..
35 MR13935..
45

MRM27
PAT. PEND.



20 MR13720..
25 MR13725..
35 MR13735..
45

MAG3G
PAT. PEND.



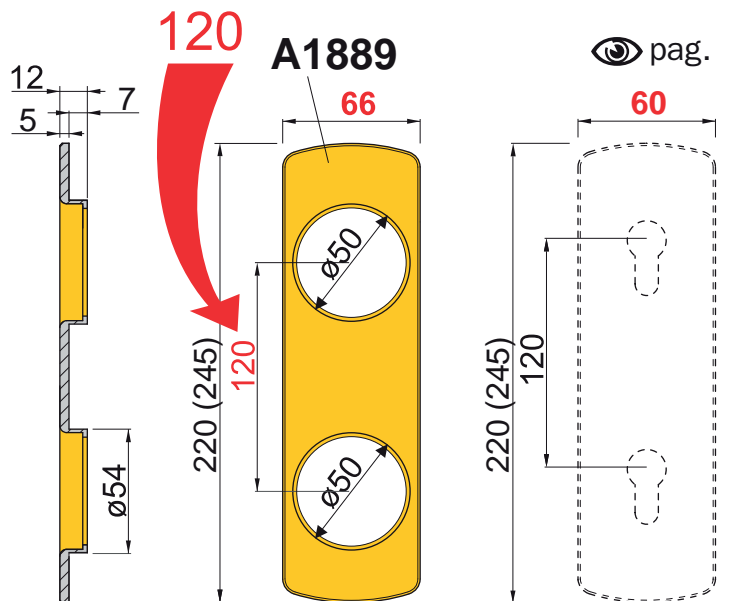
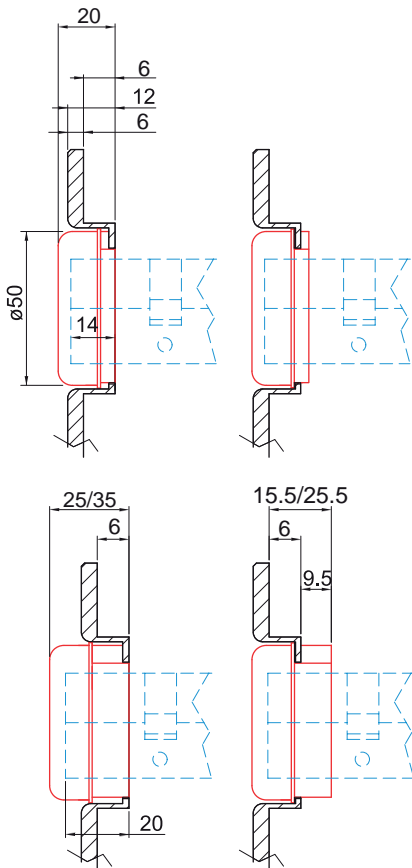
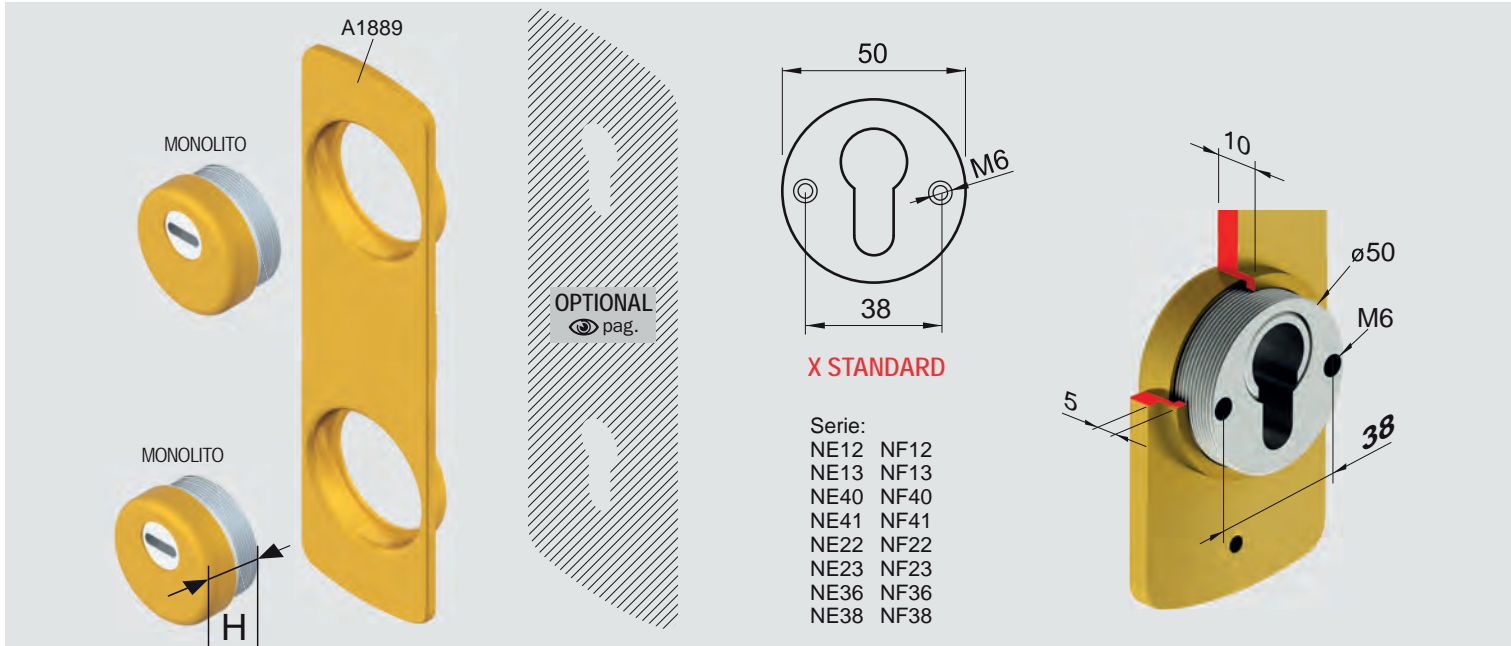
20 3G320..
25 3G325..
35 3G335..
45

MAG4GN
PAT. PEND.



20 4GN320..
25 4GN325..
35 4GN335..
45

- C** Cromo lucido
Bright Chrome
- T** Cromo satinato
Satin Chrome
- B** Bronzo
Bronze
- 2** PVD Ottone
PVD Brass
- TT** Ottone satinato
Satin Brass
- BS** Bronzo satinato
Satin Bronze
- IT** Inox satinato
Stainless steel



A1889



OPTIONAL
pag.

FILETTATO
Ø 50
H
M6-Q
38
pag. S1 D1

DIAMOND
PAT. PEND.



25 MA3536

MONOLITO KRIPTON
PAT. PEND.



20 MA3633
25 MA3527
35 MA3626
45 MA3628

MONOLITO
PAT. PEND.



20 MA2371
25 MA2665
35 MA1927
45 MA2702

MAG ROUND
PAT. PEND.



20 MR12920 MR29820
25 MR12925 MR29825
35 MR12935
45 MR12945

MRM27
PAT. PEND.



20 MR12720 MR27820
25 MR12725 MR27825
35 MR12735
45 MR12745

MAG3G
PAT. PEND.



20 3G220 3G820
25 3G225
35 3G235

MAG4GN
PAT. PEND.

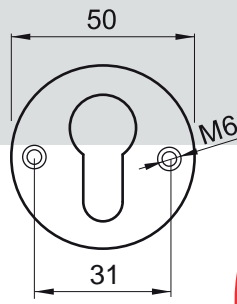
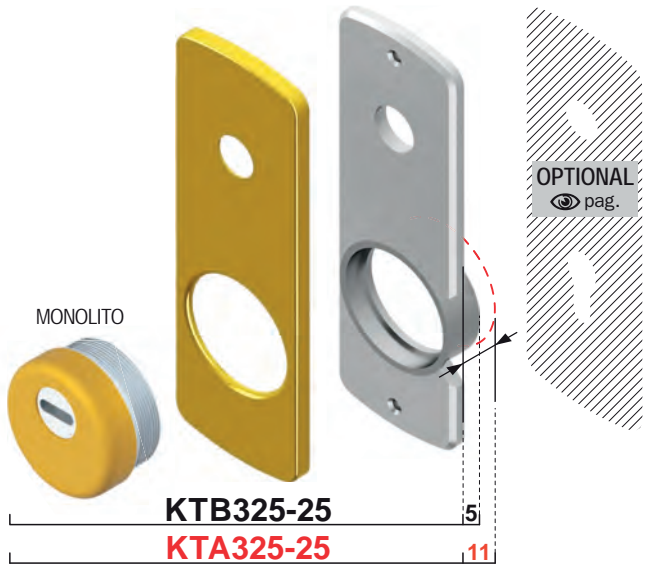


20 4GN220
25 4GN225
35 4GN235 4GN825

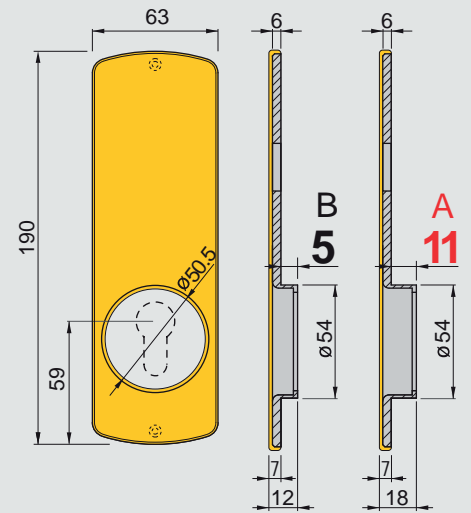
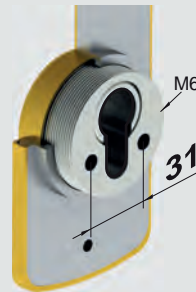
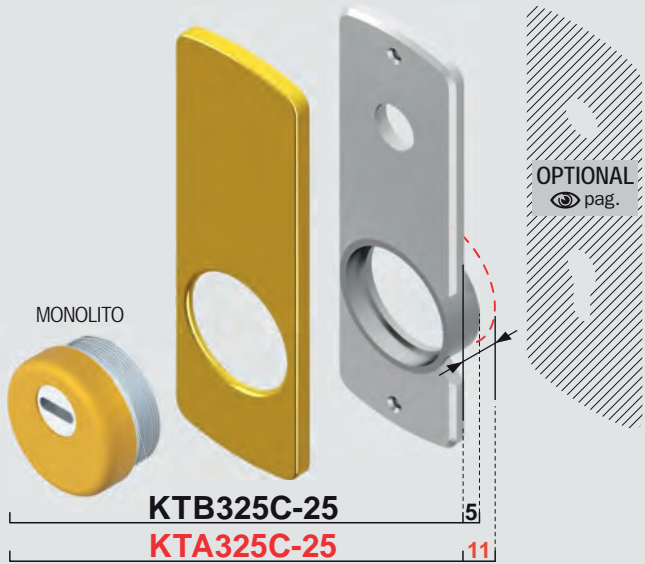
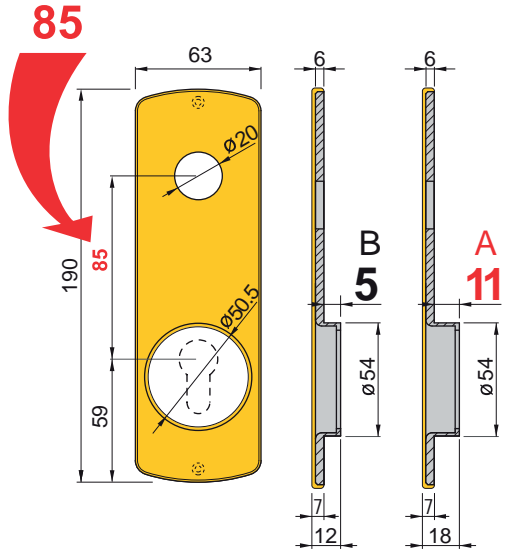
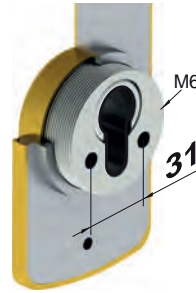
X OMEGA
27 M5

FINITURE FINISHES

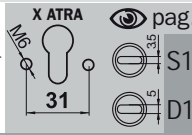
- C** Cromo lucido
Bright Chrome
- T** Cromo satinato
Satin Chrome
- B** Bronzo
Bronze
- 2** PVD Ottone
PVD Brass
- TT** Ottone satinato
Satin Brass
- BS** Bronzo satinato
Satin Bronze
- IT** Inox satinato
Stainless steel



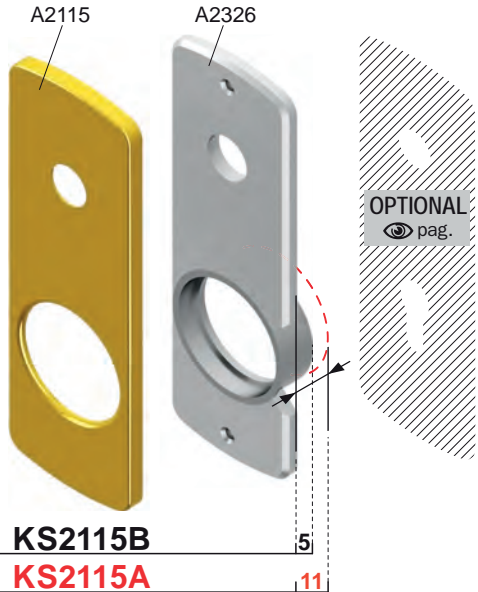
X ATRA



FILETTATO



FINITURE
FINISHES



KS2115B

KS2115A



KS2271B

KS2271A

DIAMOND
PAT. PEND.



25 MA3535

MONOLITO KRIPTON
PAT. PEND.



20 MA3634
25 MA3526
35 MA3625
45 MA3627

MONOLITO
PAT. PEND.



20 MA2372
25 MA2731
35 MA1928
45

MAG ROUND
PAT. PEND.

PAG 74



20 MR13920..
25 MR13925..
35 MR13935..
45

MRM27
PAT. PEND.



20 MR13720..
25 MR13725..
35 MR13735..
45

MAG3G
PAT. PEND.



20 3G320..
25 3G325..
35 3G335..
45

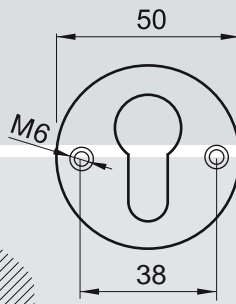
MAG4GN
PAT. PEND.



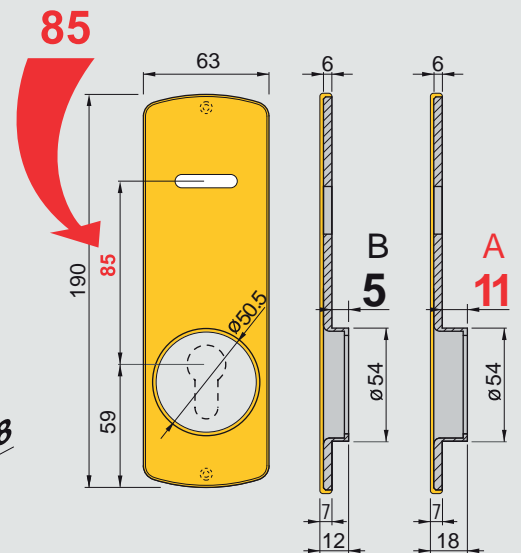
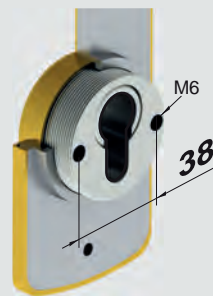
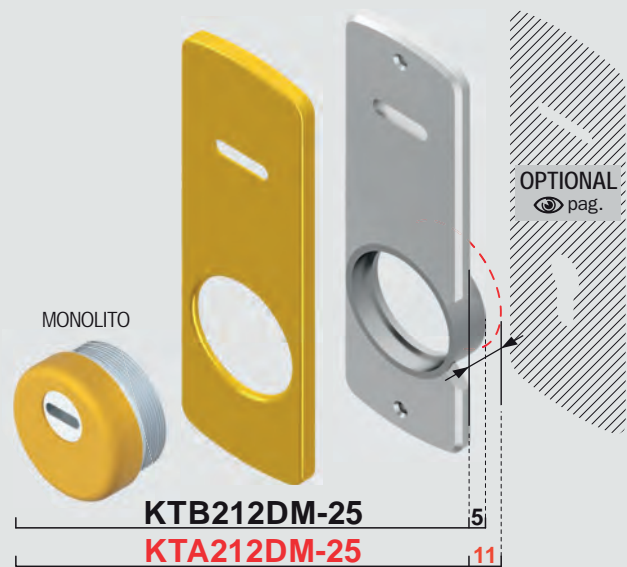
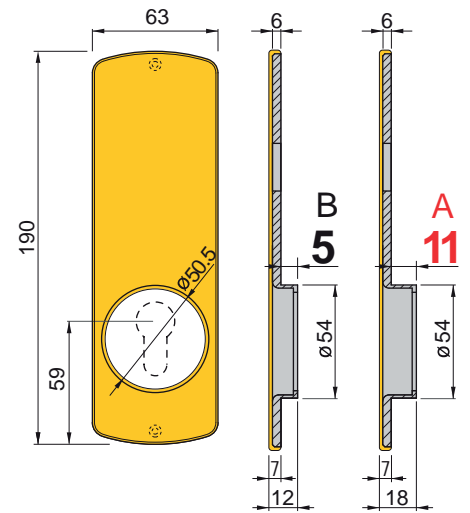
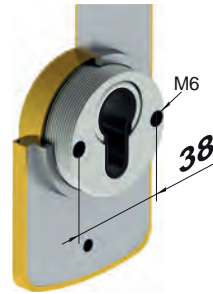
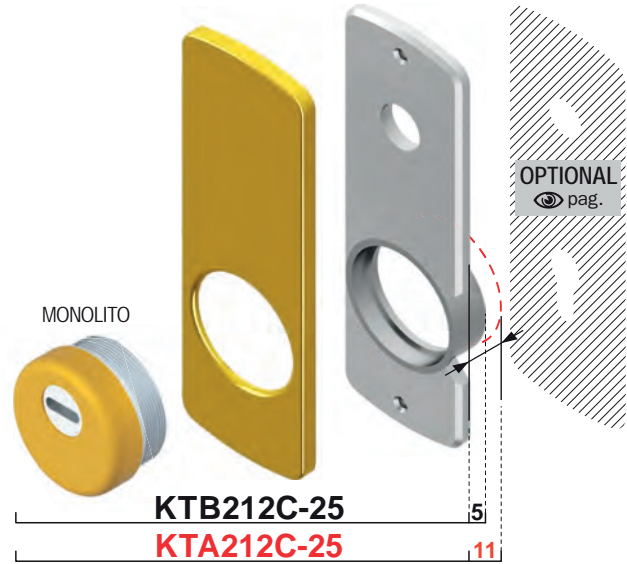
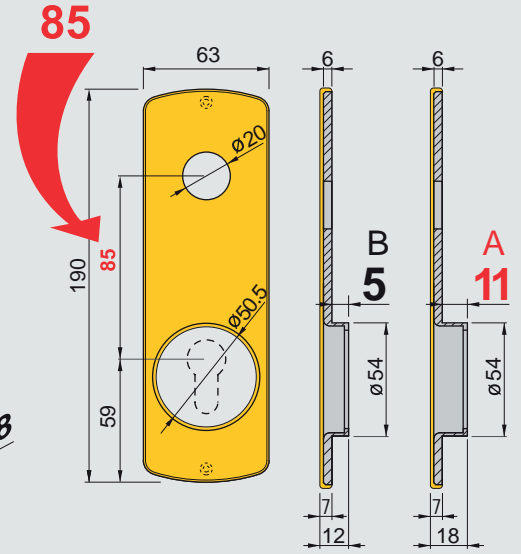
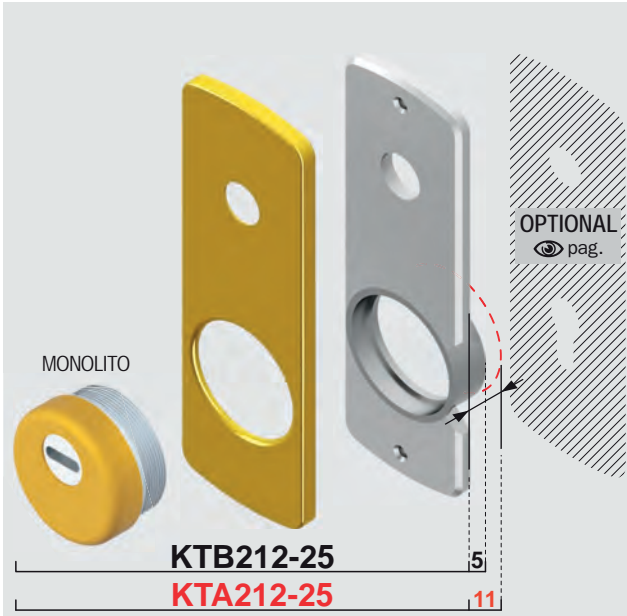
20 4GN320..
25 4GN325..
35 4GN335..
45

- C** Cromo lucido
Bright Chrome
- T** Cromo satinato
Satin Chrome
- B** Bronzo
Bronze
- 2** PVD Ottone
PVD Brass
- TT** Ottone satinato
Satin Brass
- BS** Bronzo satinato
Satin Bronze
- IT** Inox satinato
Stainless steel

- | | | |
|----------------------------------|------------------------------------|---|
| Ⓒ Cromo lucido
Bright Chrome | ⒷS Bronzo satinato
Satin Bronze | Ⓘ Inox satinato
Satin S.Steel |
| Ⓓ Cromo satinato
Satin Chrome | Ⓕ Ottone lucido
Bright Brass | Ⓣ Oro anodizzato
Anodized Gold |
| Ⓑ Bronzo
Bronze | Ⓖ PVD Ottone
PVD Brass | Ⓢ Argento anodizzato
Anodized Silver |



X STANDARD



A2115 A2326

KS2115B 5
KS2115A 11

OPTIONAL pag.

A2271 A2326

KS2271B 5
KS2271A 11

OPTIONAL pag.

A2383 A2414

KS2383B 5
KS2383A 11

OPTIONAL pag.

DIAMOND
PAT. PEND.

25 MA3536

MONOLITO KRIPTON
PAT. PEND.

20 MA3633
25 MA3527
35 MA3626
45 MA3628

MONOLITO
PAT. PEND.

20 MA2371
25 MA2665
35 MA1927
45 MA2702

MAG ROUND
PAT. PEND.

20 MR12920 MR29820
25 MR12925 MR29825
35 MR12935
45 MR12945

MRM27
PAT. PEND.

20 MR12720 MR27820
25 MR12725 MR27825
35 MR12735
45 MR12745

MAG3G
PAT. PEND.

20 3G220 3G820
25 3G225
35 3G235

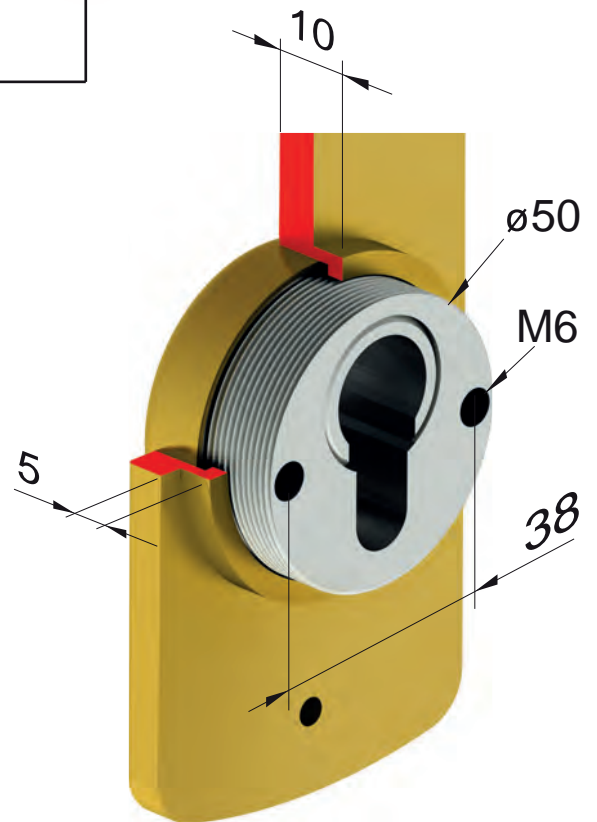
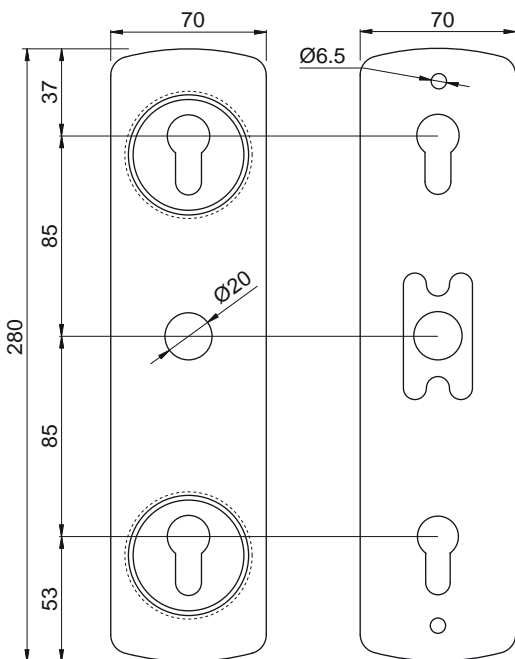
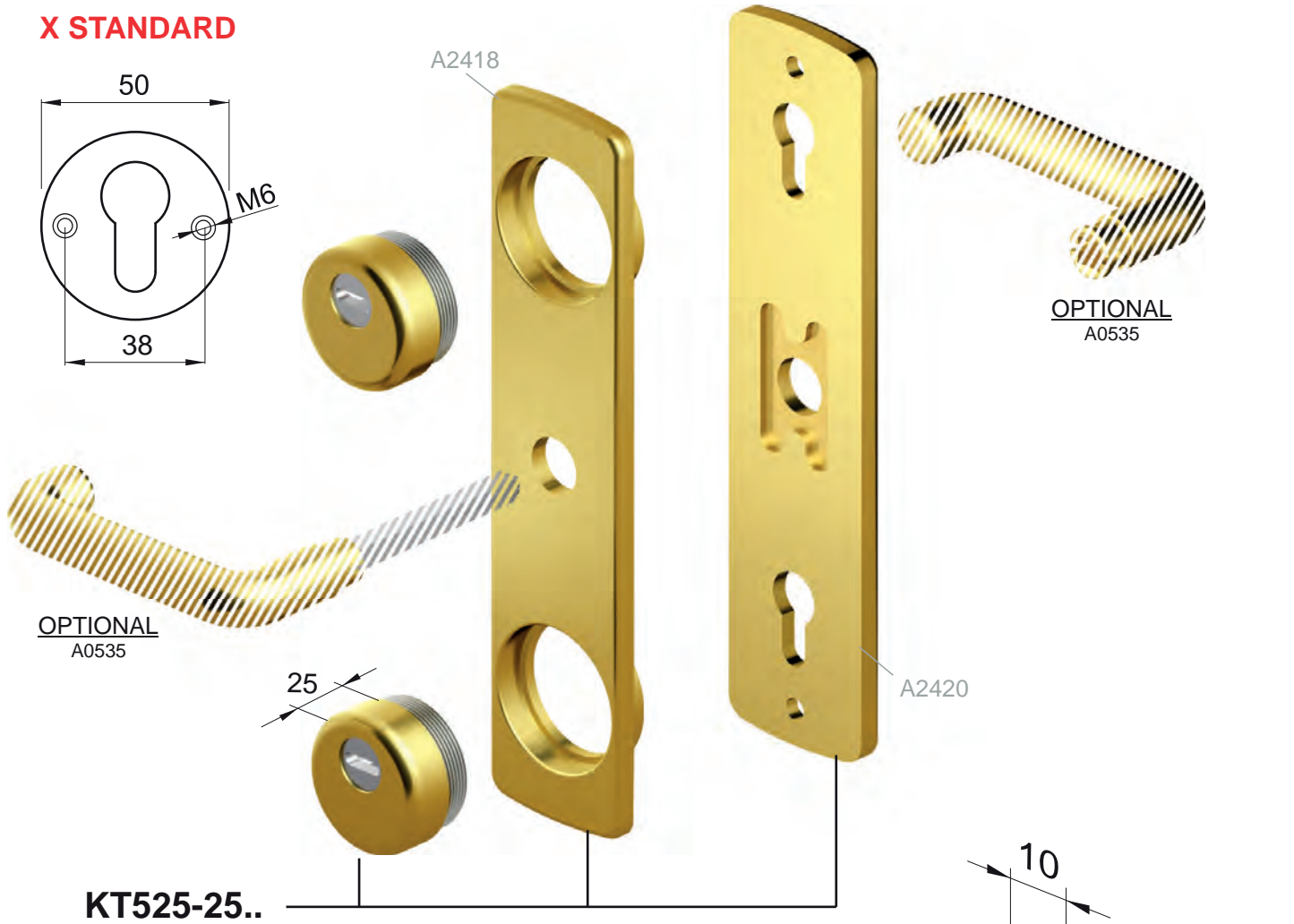
MAG4GN
PAT. PEND.

20 4GN220
25 4GN225 4GN825
35 4GN235

- C** Cromo lucido / Bright Chrome
- T** Cromo satinato / Satin Chrome
- B** Bronzo / Bronze
- 2** PVD Ottone / PVD Brass
- TT** Ottone satinato / Satin Brass
- BS** Bronzo satinato / Satin Bronze
- IT** Inox satinato / Stainless steel



X STANDARD

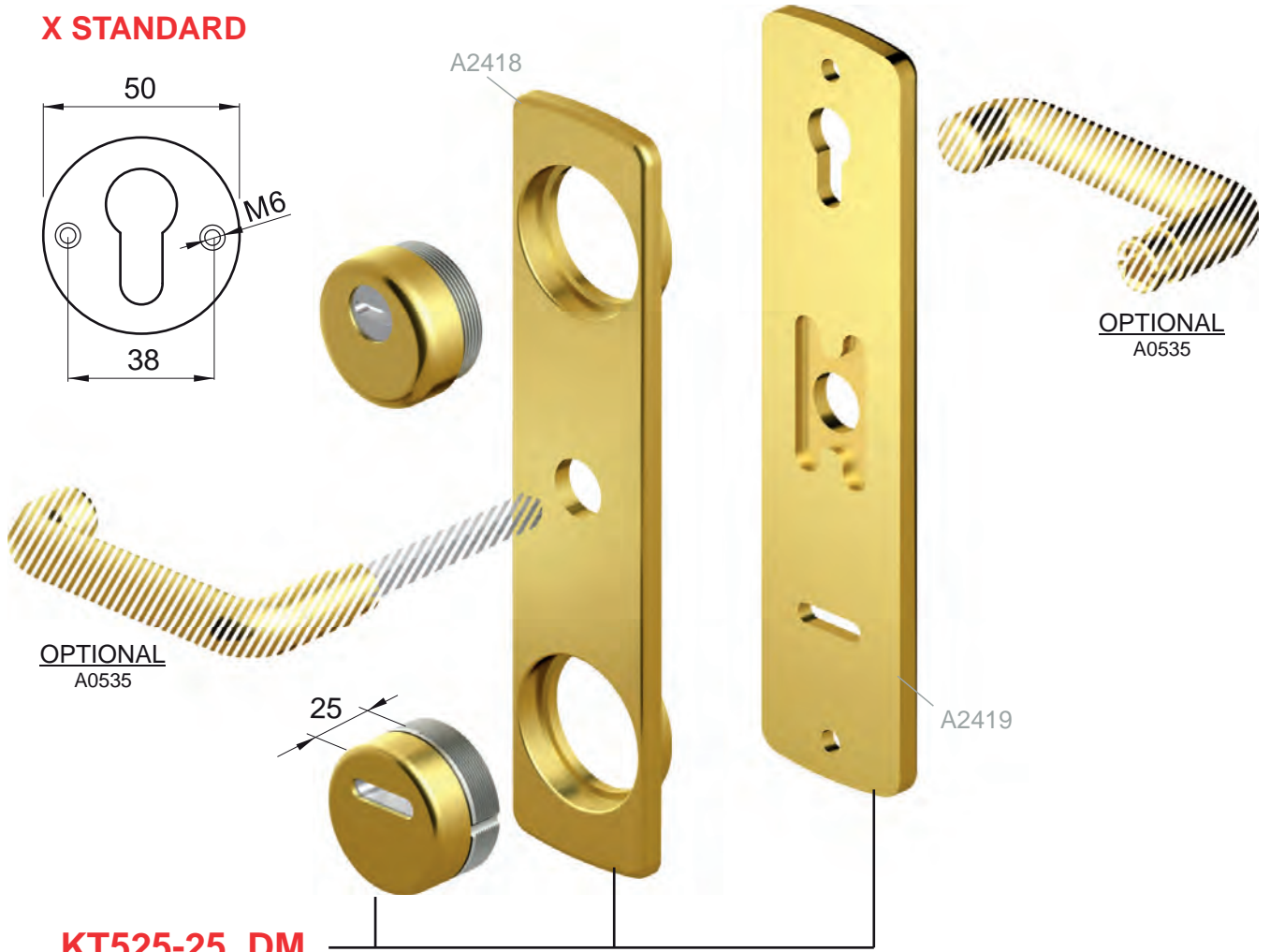


FINITURE / FINISHES

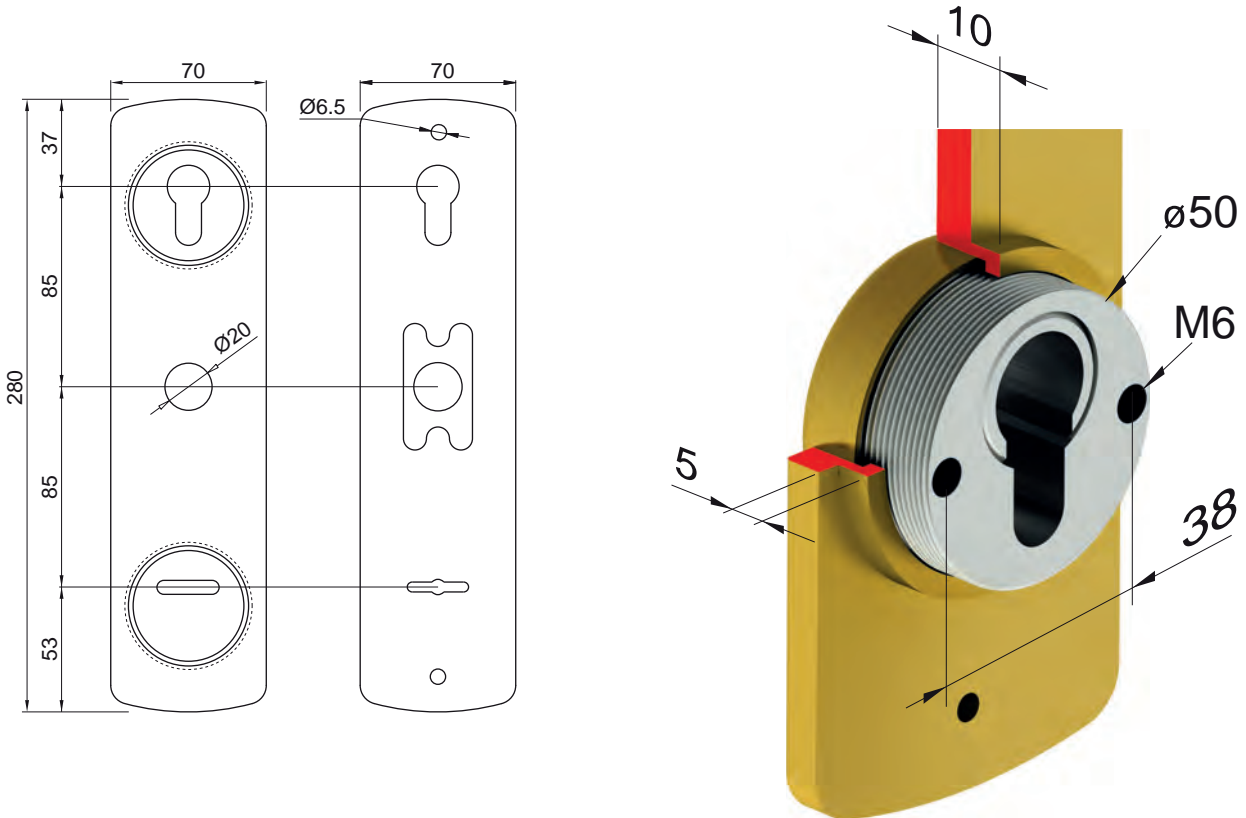
- ① Cromo satinato
Satin Chrome
- ② PVD Ottone
PVD Brass
- ③ Bronzo
Bronze



X STANDARD

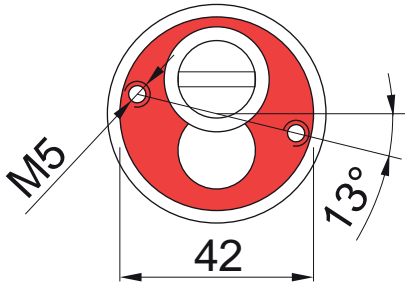


KT525-25..DM

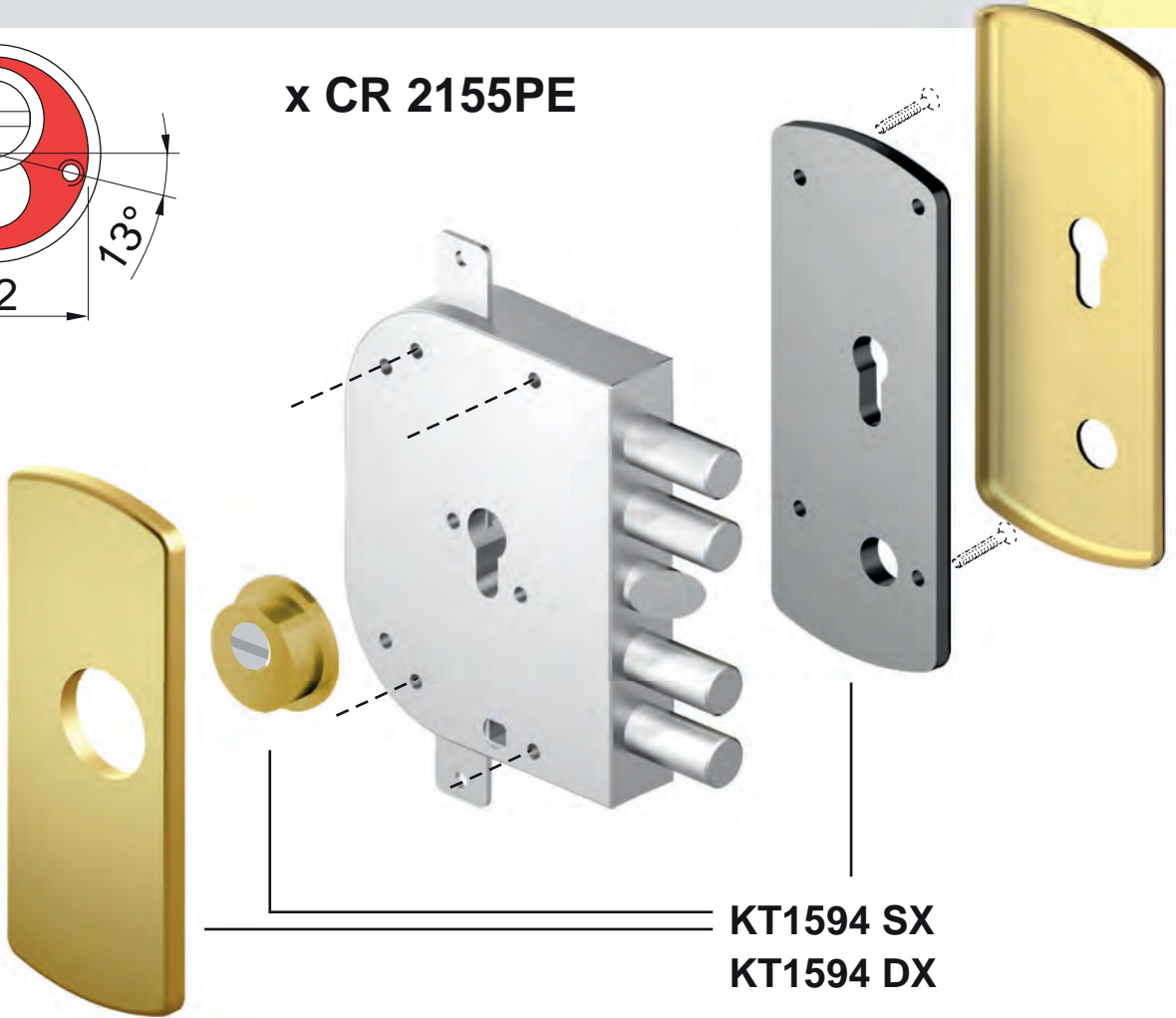


FINITURE / FINISHES

- T Cromo satinato
Satin Chrome
- 2 PVD Ottone
PVD Brass
- B Bronzo
Bronze

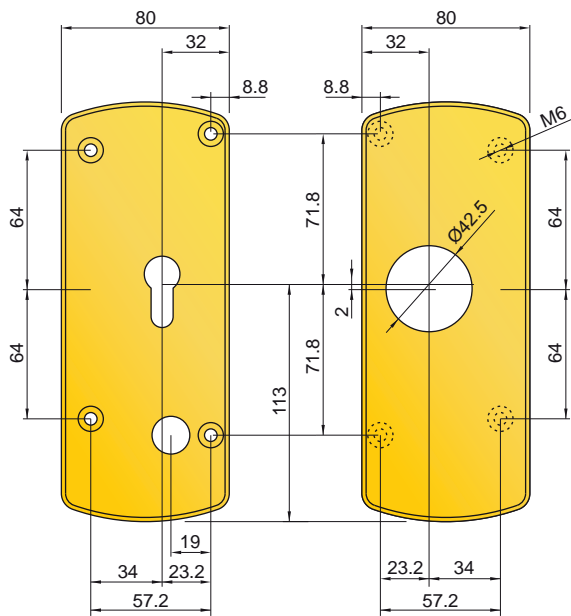


x CR 2155PE



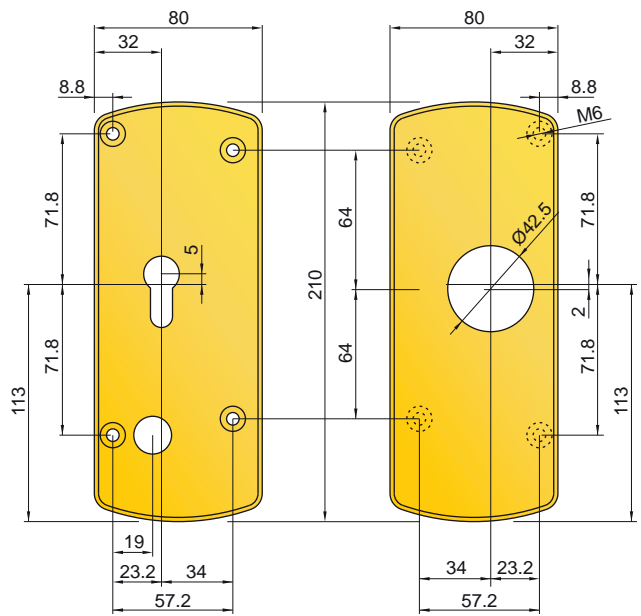
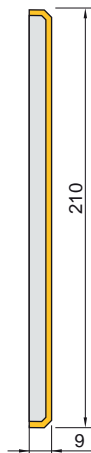
DX

SX



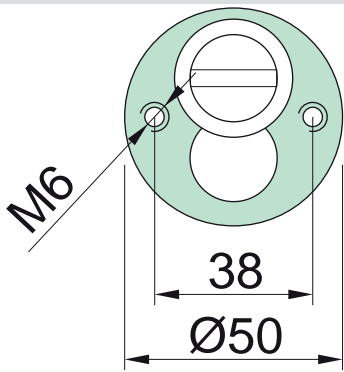
dx CR 2155PE
sp 6mm A1597

dx CR 2155PE
sp 8mm A1596

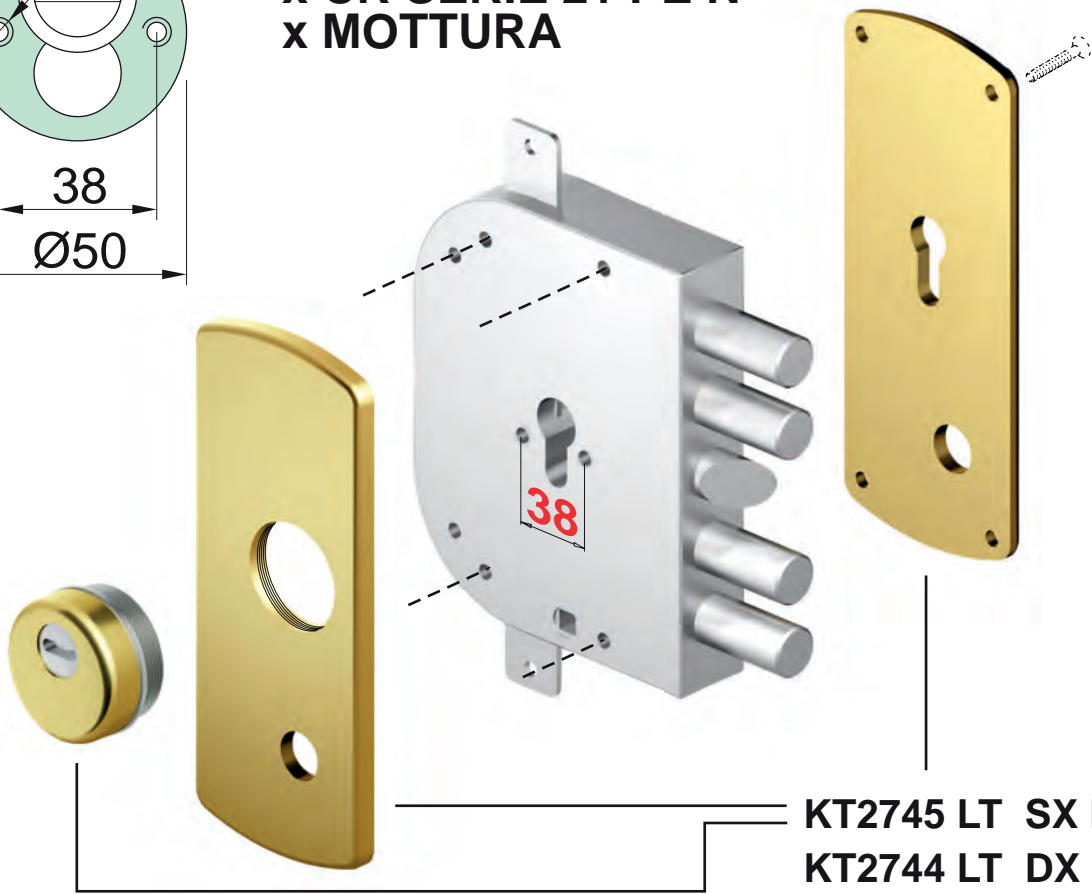


sx CR 2155PE
sp 6mm A1595

sx CR 2155PE
sp 8mm A1594

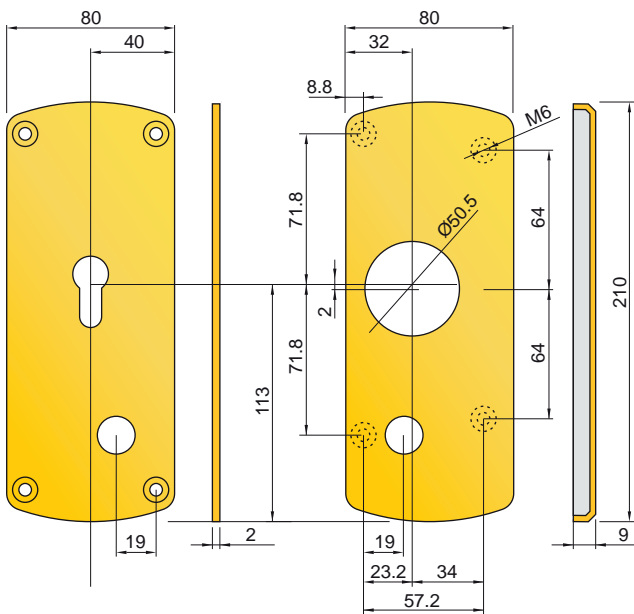


**x CR SERIE 21 PE N
x MOTTURA**



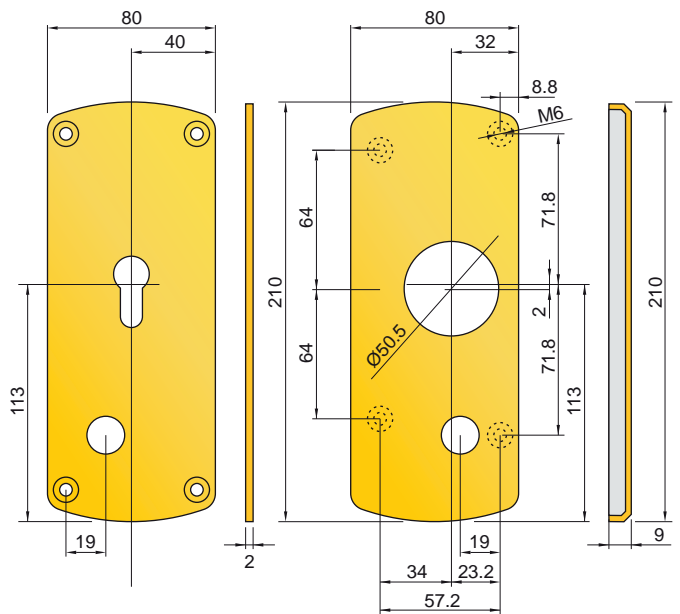
DX

SX



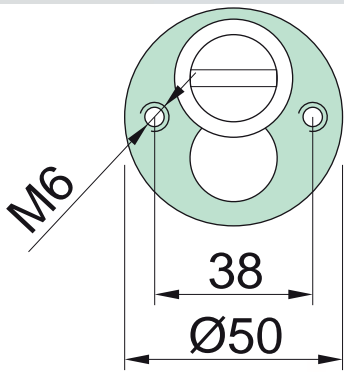
dx CR 21 PE N
A2750 DX

dx CR 21 PE N
Ki2744

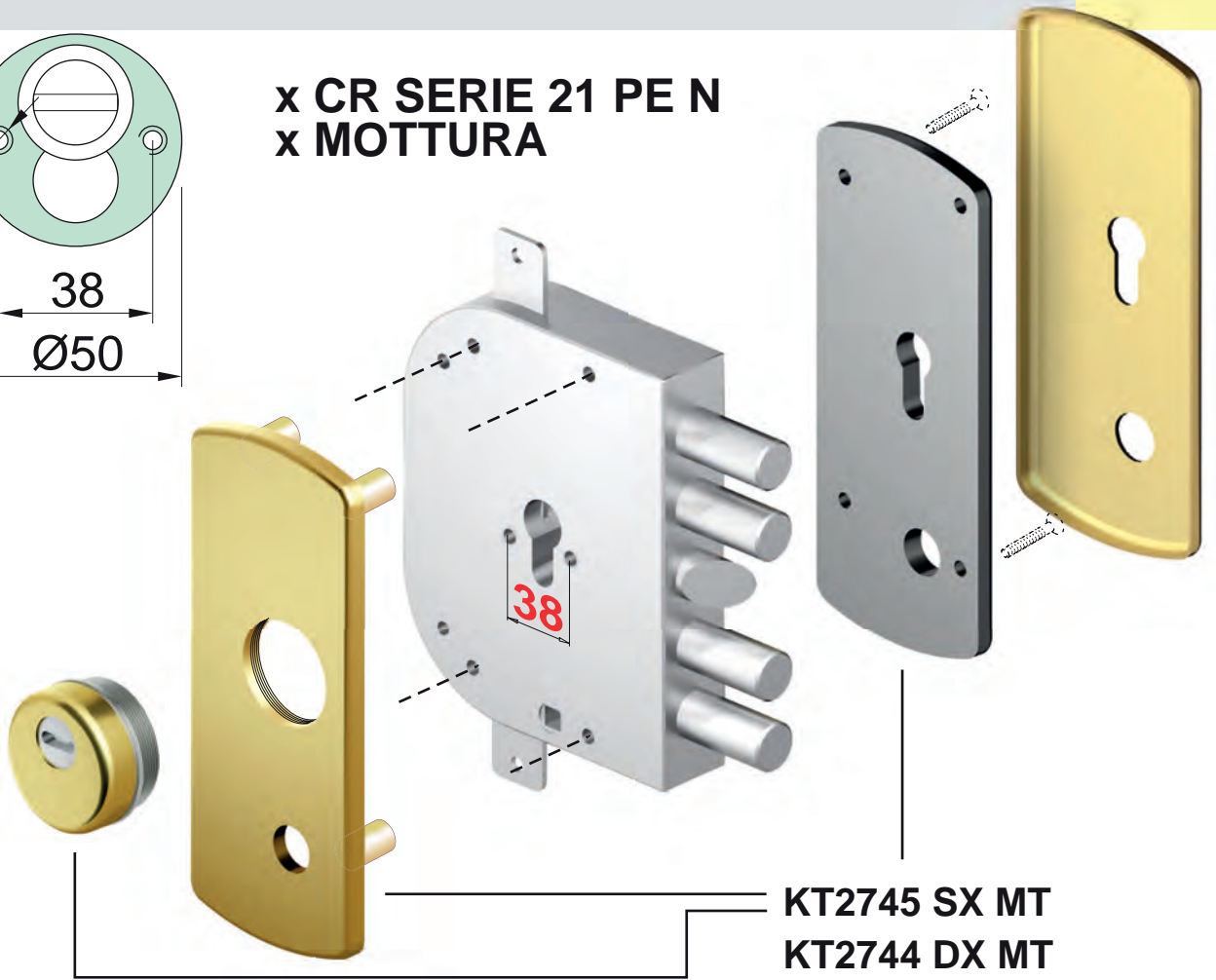


sx CR 21 PE N
A2750 SX

sx CR 21 PE N
Ki2745

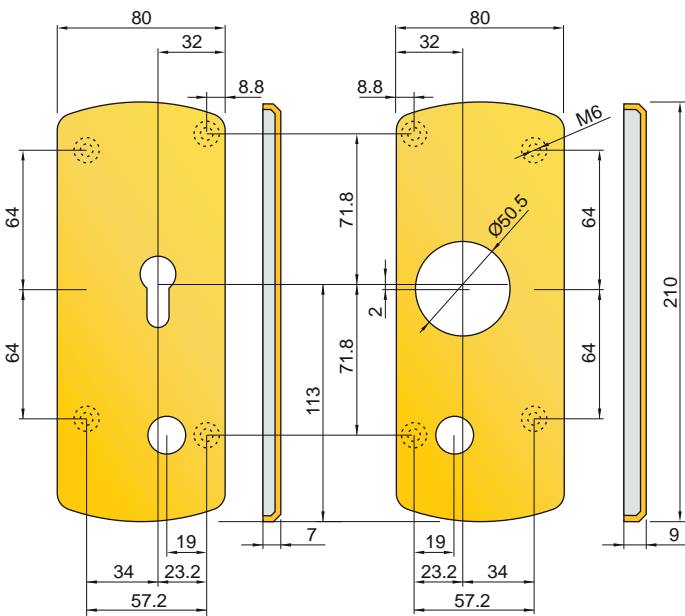


**x CR SERIE 21 PE N
x MOTTURA**



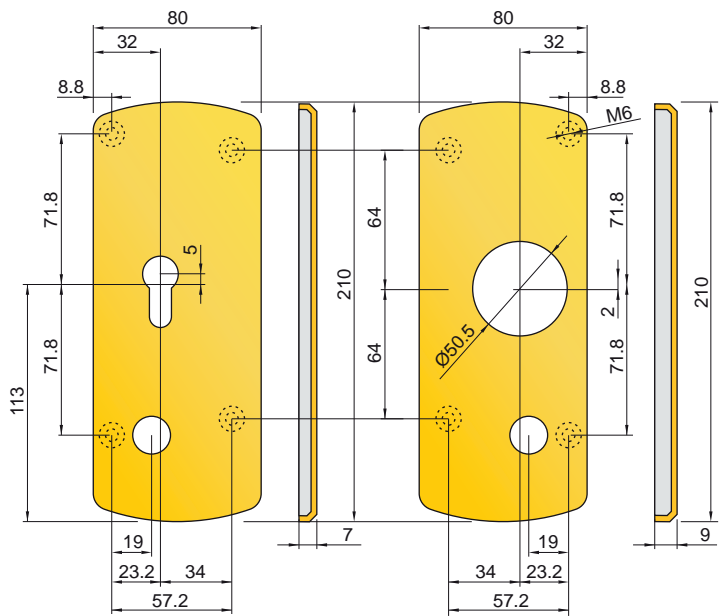
DX

SX



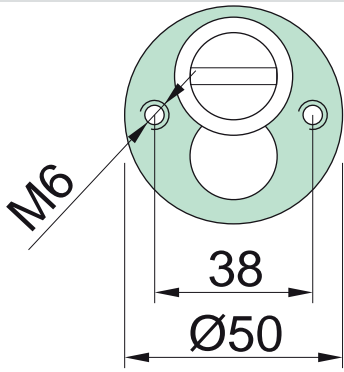
dx CR 21 PE N
Ki2774

dx CR 21 PE N
Ki2744

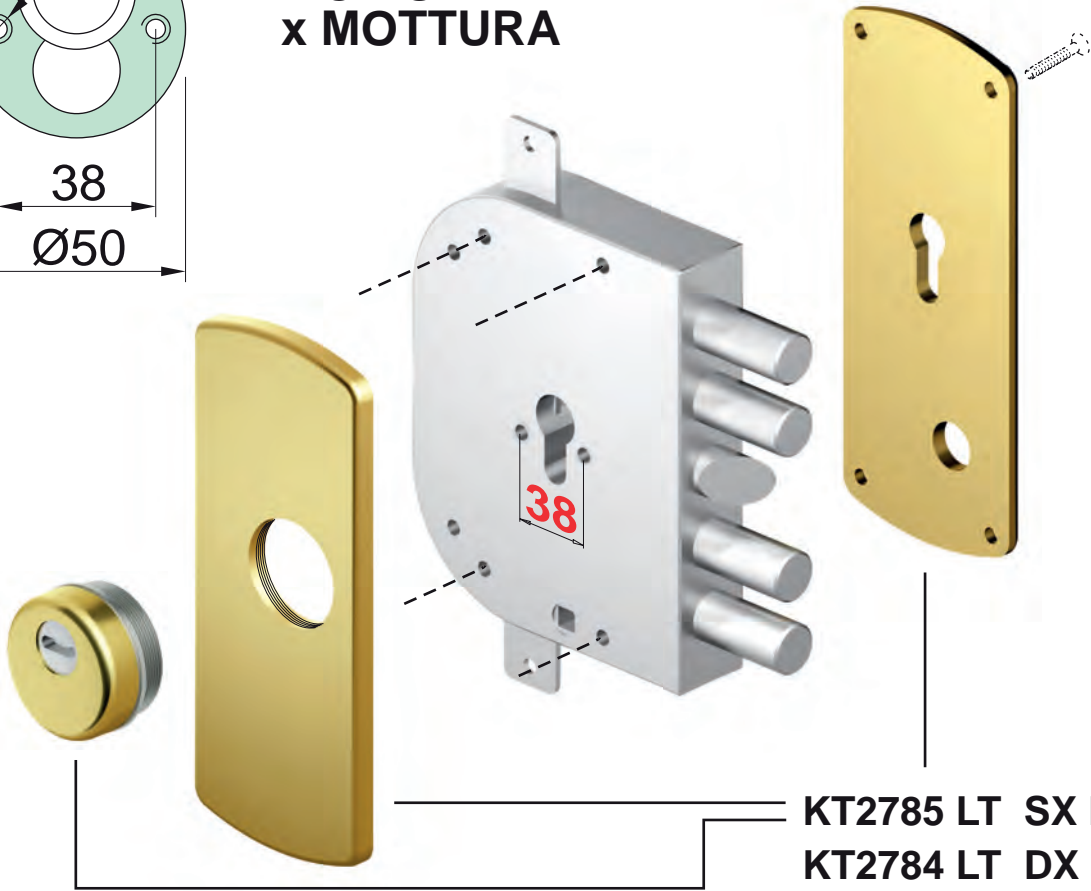


sx CR 21 PE N
Ki2775

sx CR 21 PE N
Ki2745

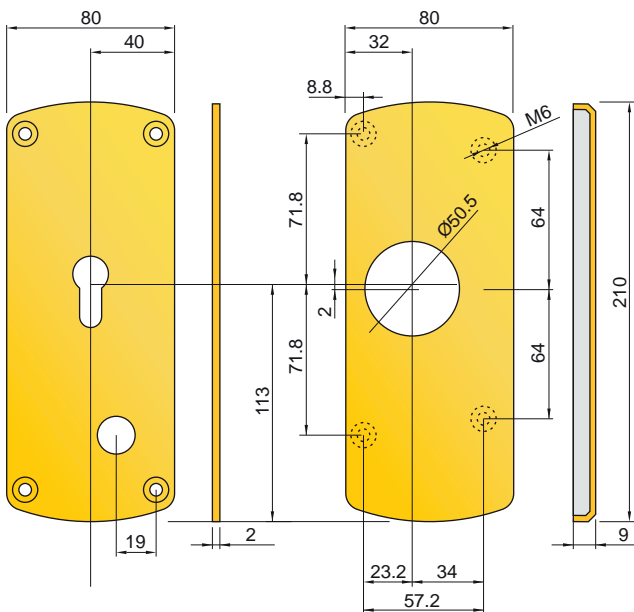


**x CR SERIE 21 PE N
x MOTTURA**



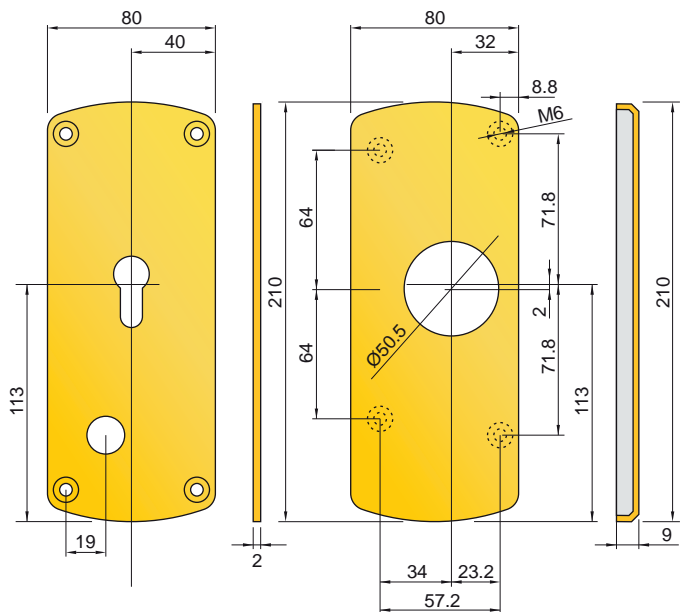
DX

SX



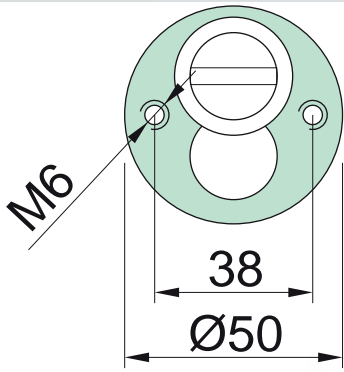
dx CR 21 PE N
A2750 DX

dx CR 21 PE N
Ki2784

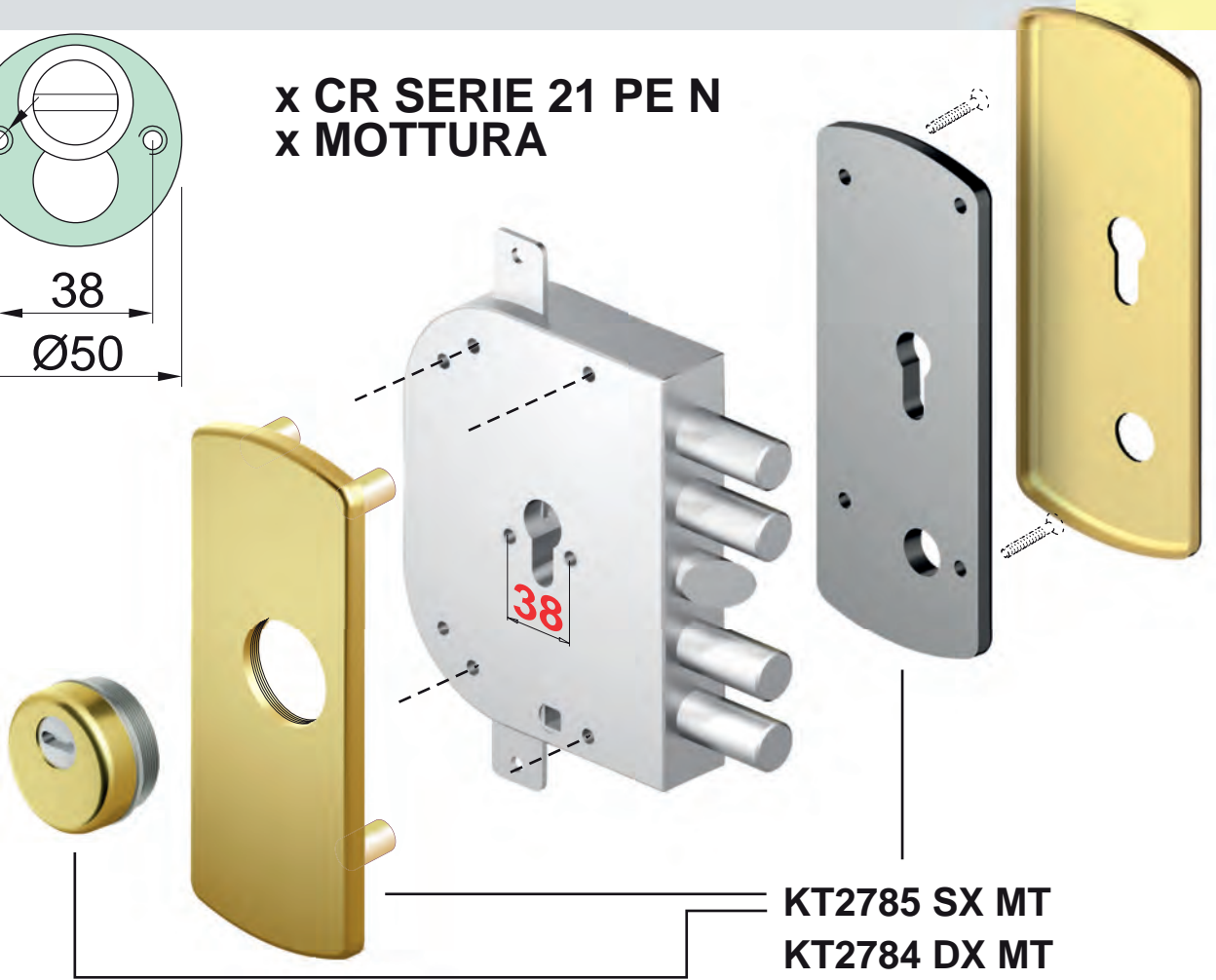


sx CR 21 PE N
A2750 SX

sx CR 21 PE N
Ki2785

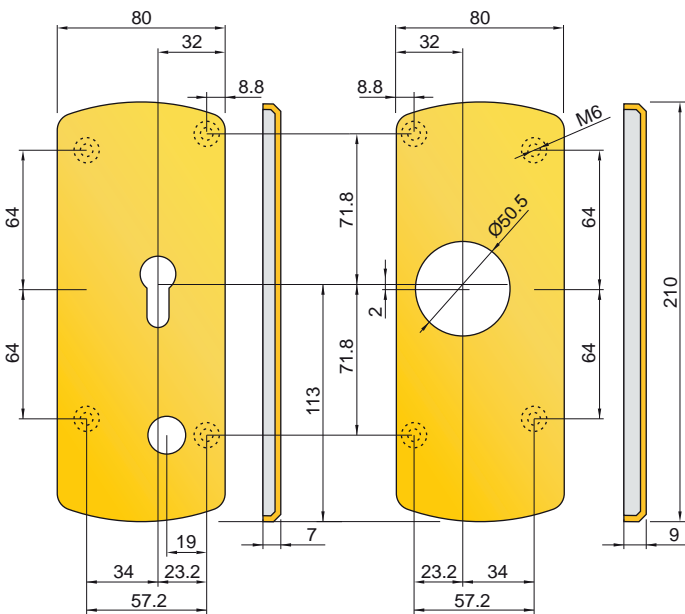


**x CR SERIE 21 PE N
x MOTTURA**



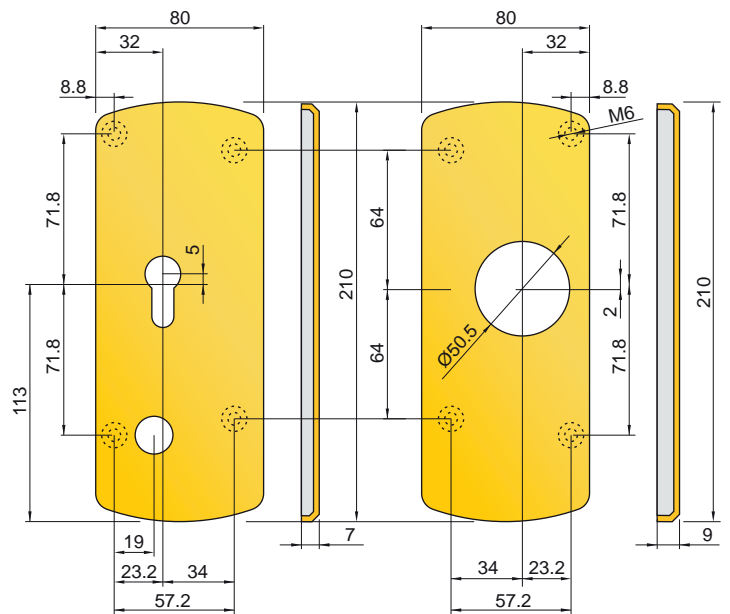
DX

SX



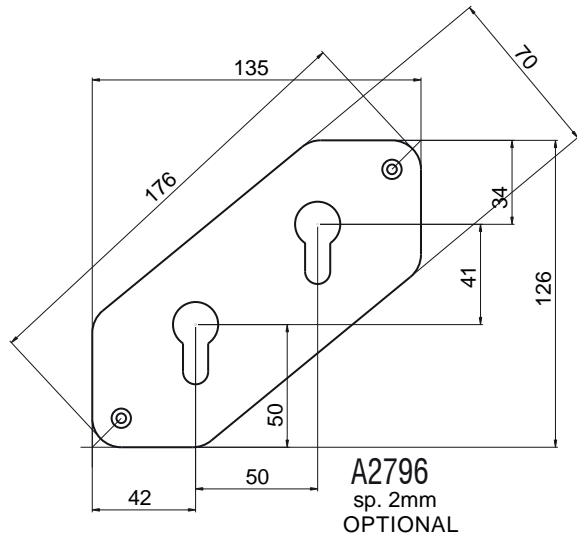
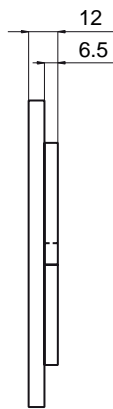
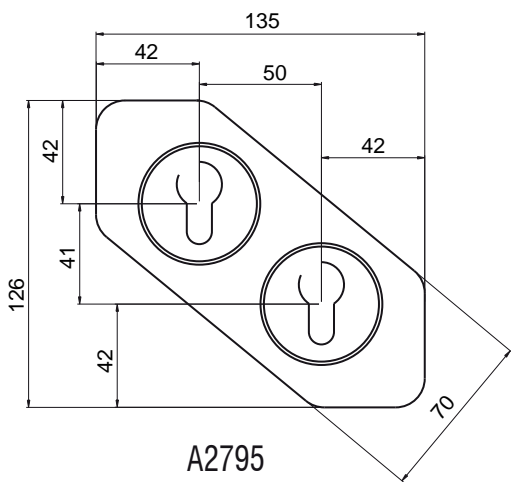
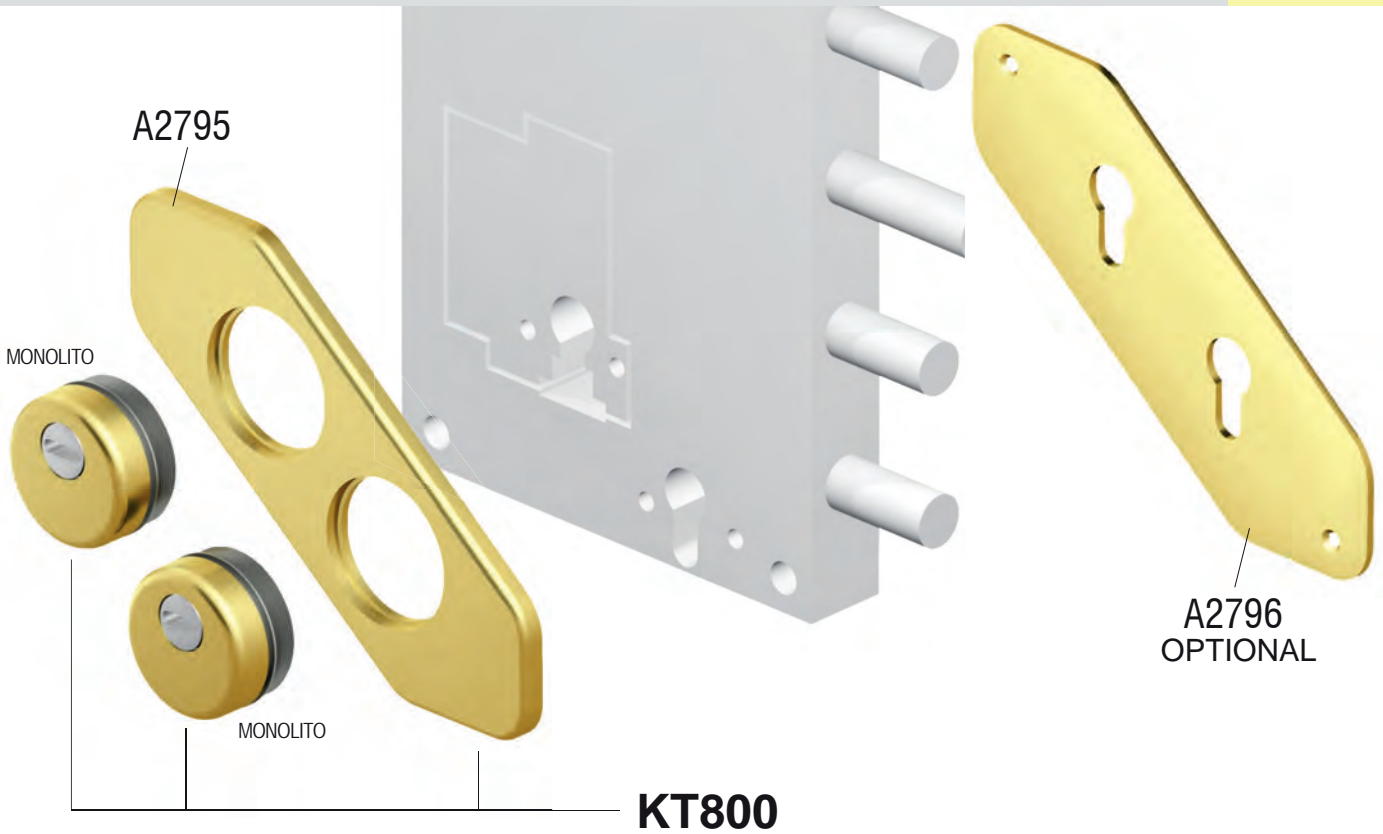
dx CR 21 PE N
Ki2774

dx CR 21 PE N
Ki2784



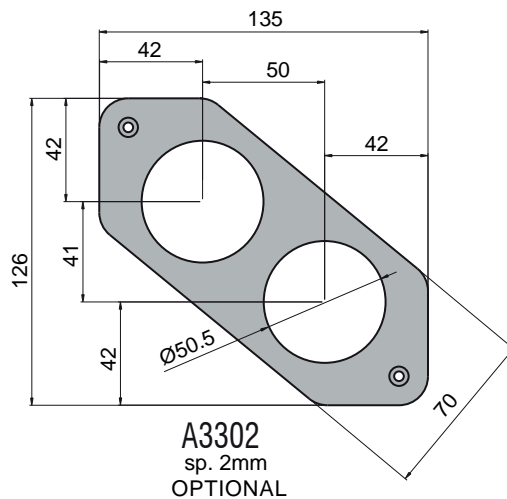
sx CR 21 PE N
Ki2775

sx CR 21 PE N
Ki2785



FINITURE / FINISHES

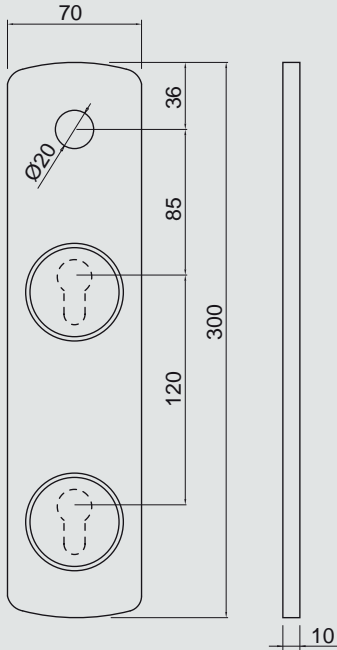
- Ⓒ Cromo lucido
Bright Chrome
- Ⓘ Inox satinato
Stainless steel
- Ⓓ Cromo satinato
Satin Chrome
- ② PVD Ottone
PVD Brass
- Ⓑ Bronzo
Bronze
- ⒷS Bronzo satinato
Satin Bronze
- ⒻZ Ottone Zapponato
Satin Brass



x MOTTURA serie MT85595
x SECUREMME serie 268 e 253



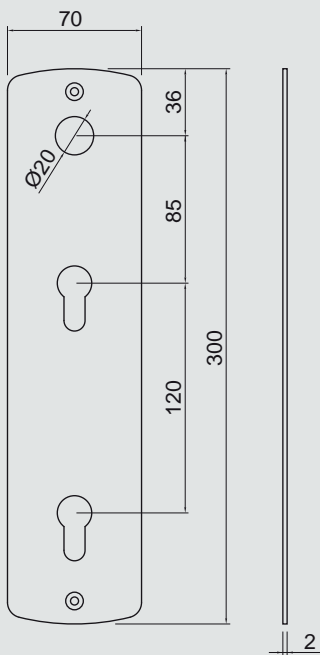
A2629



KT627-25



A2630



FILETTATO \emptyset 50 H
M6.0 38 S1 D1

pag. FINITURE FINISHES

DIAMOND
PAT. PEND.



25 MA3536

MONOLITO KRIPTON
PAT. PEND.



20 MA3633
25 MA3527
35 MA3626
45 MA3628

MONOLITO
PAT. PEND.



20 MA2371
25 MA2665
35 MA1927
45 MA2702

MAG ROUND
PAT. PEND.



20 MR12920
25 MR12925
35 MR12935
45 MR12945

MRM27
PAT. PEND.



20 MR12720
25 MR12725
35 MR12735
45 MR12745

MAG3G
PAT. PEND.



20 3G220
25 3G225
35 3G235

MAG4GN
PAT. PEND.



20 4GN220
25 4GN225
35 4GN235

- C Cromo lucido / Bright Chrome
- T Cromo satinato / Satin Chrome
- B Bronzo / Bronze
- 2 PVD Ottone / PVD Brass
- TT Ottone satinato / Satin Brass
- BS Bronzo satinato / Satin Bronze
- IT Inox satinato / Stainless steel

- C Cromo lucido / Bright Chrome
- T Cromo satinato / Satin Chrome
- B Bronzo / Bronze
- 2 PVD Ottone / PVD Brass
- TT Ottone satinato / Satin Brass
- BS Bronzo satinato / Satin Bronze
- IT Inox satinato / Stainless steel

- C Cromo lucido / Bright Chrome
- T Cromo satinato / Satin Chrome
- B Bronzo / Bronze
- 2 PVD Ottone / PVD Brass
- TT Ottone satinato / Satin Brass
- BS Bronzo satinato / Satin Bronze
- IT Inox satinato / Stainless steel

- C Cromo lucido / Bright Chrome
- T Cromo satinato / Satin Chrome
- B Bronzo / Bronze
- 2 PVD Ottone / PVD Brass
- TT Ottone satinato / Satin Brass
- BS Bronzo satinato / Satin Bronze
- IT Inox satinato / Stainless steel

- C Cromo lucido / Bright Chrome
- T Cromo satinato / Satin Chrome
- B Bronzo / Bronze
- 2 PVD Ottone / PVD Brass
- TT Ottone satinato / Satin Brass
- BS Bronzo satinato / Satin Bronze
- IT Inox satinato / Stainless steel

- C Cromo lucido / Bright Chrome
- T Cromo satinato / Satin Chrome
- 2 PVD Ottone / PVD Brass
- IT Inox satinato / Stainless steel

- C Cromo lucido / Bright Chrome
- T Cromo satinato / Satin Chrome
- 2 PVD Ottone / PVD Brass
- IT Inox satinato / Stainless steel

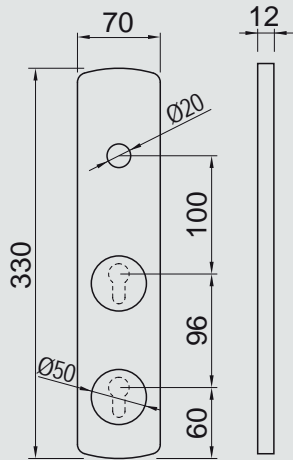
x FERBONA



A3800



A3805



A3801



A3806



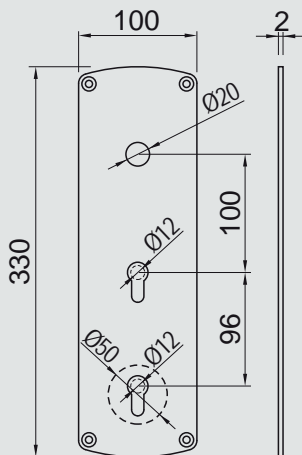
A3807



A3808

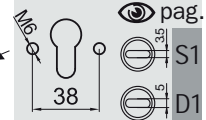


A4819



FILETTATO

Ø 50



FINITURE FINISHES

DIAMOND
PAT. PEND.



25 MA3536

MONOLITO KRYPTON
PAT. PEND.



20 MA3633
25 MA3527
35 MA3626
45 MA3628

MONOLITO
PAT. PEND.



20 MA2371
25 MA2665
35 MA1927
45 MA2702

MAG ROUND
PAT. PEND.



20 MR12920
25 MR12925
35 MR12935
45 MR12945

MRM27
PAT. PEND.



20 MR12720
25 MR12725
35 MR12735
45 MR12745

MAG3G
PAT. PEND.



20 3G220
25 3G225
35 3G235

MAG4GN
PAT. PEND.



20 4GN220
25 4GN225
35 4GN235

- C Cromo lucido / Bright Chrome
- T Cromo satinato / Satin Chrome
- B Bronzo / Bronze
- 2 PVD Ottone / PVD Brass
- TT Ottone satinato / Satin Brass
- BS Bronzo satinato / Satin Bronze
- IT Inox satinato / Stainless steel

- C Cromo lucido / Bright Chrome
- T Cromo satinato / Satin Chrome
- B Bronzo / Bronze
- 2 PVD Ottone / PVD Brass
- TT Ottone satinato / Satin Brass
- BS Bronzo satinato / Satin Bronze
- IT Inox satinato / Stainless steel

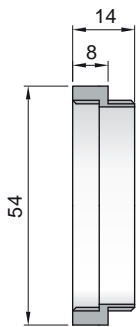
- C Cromo lucido / Bright Chrome
- T Cromo satinato / Satin Chrome
- B Bronzo / Bronze
- 2 PVD Ottone / PVD Brass
- TT Ottone satinato / Satin Brass
- BS Bronzo satinato / Satin Bronze
- IT Inox satinato / Stainless steel

- C Cromo lucido / Bright Chrome
- T Cromo satinato / Satin Chrome
- B Bronzo / Bronze
- 2 PVD Ottone / PVD Brass
- TT Ottone satinato / Satin Brass
- BS Bronzo satinato / Satin Bronze
- IT Inox satinato / Stainless steel

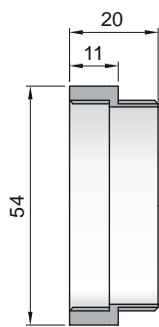
- C Cromo lucido / Bright Chrome
- T Cromo satinato / Satin Chrome
- B Bronzo / Bronze
- 2 PVD Ottone / PVD Brass
- TT Ottone satinato / Satin Brass
- BS Bronzo satinato / Satin Bronze
- IT Inox satinato / Stainless steel

- C Cromo lucido / Bright Chrome
- T Cromo satinato / Satin Chrome
- 2 PVD Ottone / PVD Brass
- IT Inox satinato / Stainless steel

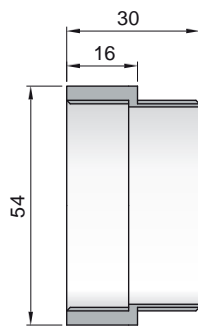
- C Cromo lucido / Bright Chrome
- T Cromo satinato / Satin Chrome
- 2 PVD Ottone / PVD Brass
- IT Inox satinato / Stainless steel



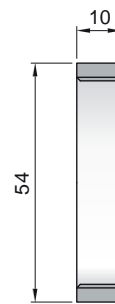
A2562



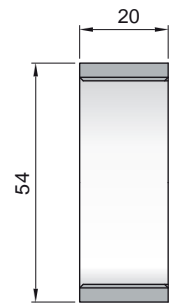
A2563



A2564



A2565



A2566
























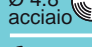
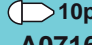






Ø 50	UNIVERSAL A1565 1mm A1566 2mm	
	A2755 5mm	
	A2756 10mm	
	A2763 15mm	
	A2578 2mm	
	X OMEGA A3375 2mm	
Ø 45	X FIAM A0592 1mm A0591 2mm	
	X TOTOR A2633 2mm	
Ø 44	X TOTOR A2633 2mm	
Ø 42	A3185 5mm	
Ø 40	X ESETY X ATRA X CR A1063 1mm A1056 2mm	

	FLEX system 10060435												
	10080405												
	<table border="0"> <tr><td>L=40</td><td>10040405</td></tr> <tr><td>L=45</td><td>10040455</td></tr> <tr><td>L=50</td><td>10040505</td></tr> <tr><td>L=60</td><td>10040605</td></tr> <tr><td>L=70</td><td>10040705</td></tr> <tr><td>L=80</td><td>10040805</td></tr> </table>	L=40	10040405	L=45	10040455	L=50	10040505	L=60	10040605	L=70	10040705	L=80	10040805
L=40	10040405												
L=45	10040455												
L=50	10040505												
L=60	10040605												
L=70	10040705												
L=80	10040805												
	<table border="0"> <tr><td>L=40</td><td>10050405</td></tr> <tr><td>L=45</td><td>10050455</td></tr> <tr><td>L=50</td><td>10050505</td></tr> <tr><td>L=60</td><td>10050605</td></tr> <tr><td>L=70</td><td>10050705</td></tr> <tr><td>L=80</td><td>10050805</td></tr> </table>	L=40	10050405	L=45	10050455	L=50	10050505	L=60	10050605	L=70	10050705	L=80	10050805
L=40	10050405												
L=45	10050455												
L=50	10050505												
L=60	10050605												
L=70	10050705												
L=80	10050805												
	<table border="0"> <tr><td>L=40</td><td>10060405</td></tr> <tr><td>L=45</td><td>10060455</td></tr> <tr><td>L=50</td><td>10060505</td></tr> <tr><td>L=60</td><td>10060605</td></tr> <tr><td>L=70</td><td>10060705</td></tr> <tr><td>L=80</td><td>10060805</td></tr> </table>	L=40	10060405	L=45	10060455	L=50	10060505	L=60	10060605	L=70	10060705	L=80	10060805
L=40	10060405												
L=45	10060455												
L=50	10060505												
L=60	10060605												
L=70	10060705												
L=80	10060805												
	<table border="0"> <tr><td>L=50</td><td>.18060505</td></tr> <tr><td>L=60</td><td>.18060605</td></tr> <tr><td>L=70</td><td>.18060705</td></tr> <tr><td>L=80</td><td>.18060805</td></tr> <tr><td>L=100</td><td>.18061005</td></tr> <tr><td>L=120</td><td>.18061205</td></tr> </table>	L=50	.18060505	L=60	.18060605	L=70	.18060705	L=80	.18060805	L=100	.18061005	L=120	.18061205
L=50	.18060505												
L=60	.18060605												
L=70	.18060705												
L=80	.18060805												
L=100	.18061005												
L=120	.18061205												
	<table border="0"> <tr><td>L=16</td><td>A0412</td></tr> <tr><td>L=25</td><td>A0412-5025</td></tr> <tr><td>L=70</td><td>A0412-5070</td></tr> <tr><td>L=100</td><td>A0412-50100</td></tr> </table>	L=16	A0412	L=25	A0412-5025	L=70	A0412-5070	L=100	A0412-50100				
L=16	A0412												
L=25	A0412-5025												
L=70	A0412-5070												
L=100	A0412-50100												



SERVICE KIT


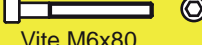













430x290x55 mm
ACCIAIO INOX SATINATO

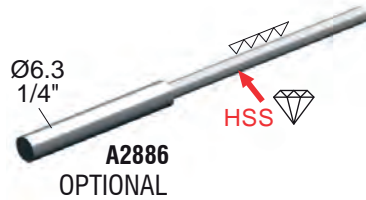
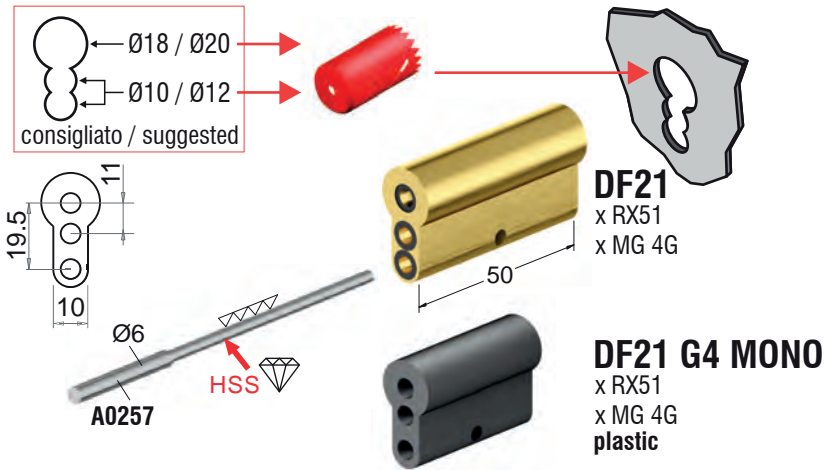
<p>18061205 20 pz</p>  <p>Vite M6x120 testa svasata piana con cava esagonale</p> <p>CLASSE 10.9</p>	<p>18060705 20 pz</p>  <p>Vite M6x70 testa svasata piana con cava esagonale</p> <p>CLASSE 10.9</p>	<p>10060405 10 pz</p>  <p>Vite M6x40 testa cilindrica con cava esagonale</p> <p>CLASSE 12.9</p>	<p>28030052 20 pz</p>  <p>Grano M3x5 con cava esagonale</p>	<p>25060065 20 pz</p>  <p>Grano M6x6 con cava esagonale</p>	<p>25060405 20 pz</p>  <p>Grano M6x40 con cava esagonale</p>
<p>18061005 20 pz</p>  <p>Vite M6x100 testa svasata piana con cava esagonale</p> <p>CLASSE 10.9</p>	<p>18060605 20 pz</p>  <p>Vite M6x60 testa svasata piana con cava esagonale</p> <p>CLASSE 10.9</p>	<p>10050405 10 pz</p>  <p>Vite M5x40 testa cilindrica con cava esagonale</p> <p>CLASSE 8.8</p>	<p>31030125 100 pz</p>  <p>Vite autofilettante Ø 3x12 testa svasata piana a croce BRONZO</p>	<p>31030125 100 pz</p>  <p>Vite autofilettante Ø 3x12 testa svasata piana a croce ORO</p>	
<p>10061205 20 pz</p>  <p>Vite M6x120 testa cilindrica con cava esagonale</p> <p>CLASSE 12.9</p>	<p>10060705 20 pz</p>  <p>Vite M6x70 testa cilindrica con cava esagonale</p> <p>CLASSE 12.9</p>	<p>10080405 10 pz</p>  <p>Vite M8x40 testa cilindrica con cava esagonale</p>	<p>31030125 100 pz</p>  <p>Vite autofilettante Ø 3x12 testa svasata piana a croce ZINCATA</p>	<p>31040165 100 pz</p>  <p>Vite autofilettante Ø 4x16 testa svasata piana a croce ORO</p>	
<p>10061005 20 pz</p>  <p>Vite M6x100 testa cilindrica con cava esagonale</p> <p>CLASSE 12.9</p>	<p>10060605 20 pz</p>  <p>Vite M6x60 testa cilindrica con cava esagonale</p> <p>CLASSE 12.9</p>	<p>13060200 10 pz</p>  <p>Vite M6x20 testa tonda quadro sotto testa</p>	<p>30 pz</p>  <p>Dadi esagonali M6</p>	<p>30 pz</p>  <p>Rondella x M6</p>	<p>20 pz</p>  <p>Sfera Ø 4,8 acciaio</p> <p>10pz</p>  <p>A0716 Pin blocco SG</p> <p>10 pz</p>  <p>O-Ring Ø 41x1,78</p>
<p>10060805 20 pz</p>  <p>Vite M6x80 testa cilindrica con cava esagonale</p> <p>CLASSE 12.9</p>	<p>10060505 20 pz</p>  <p>Vite M6x50 testa cilindrica con cava esagonale</p> <p>CLASSE 12.9</p>	<p>A1566 10 pz</p>  <p>Ø 50x2,5 Spessore universale</p>	<p>A2427N 12 pz</p>  <p>Adattatore codolo (Nero)</p>	<p>A1056 10 pz</p>  <p>Ø 40x2,5 Spessore universale</p>	



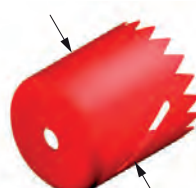
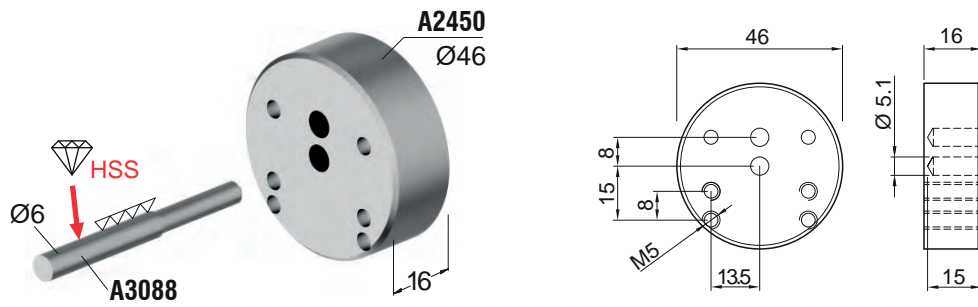
SERVICE KIT mini
328x258x52 mm

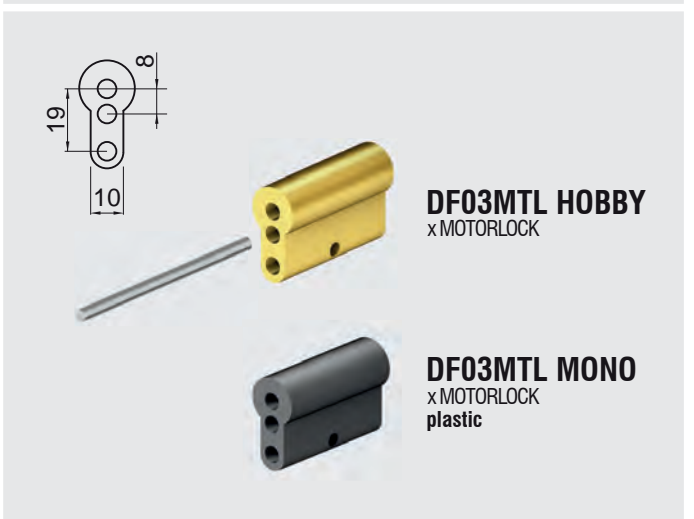
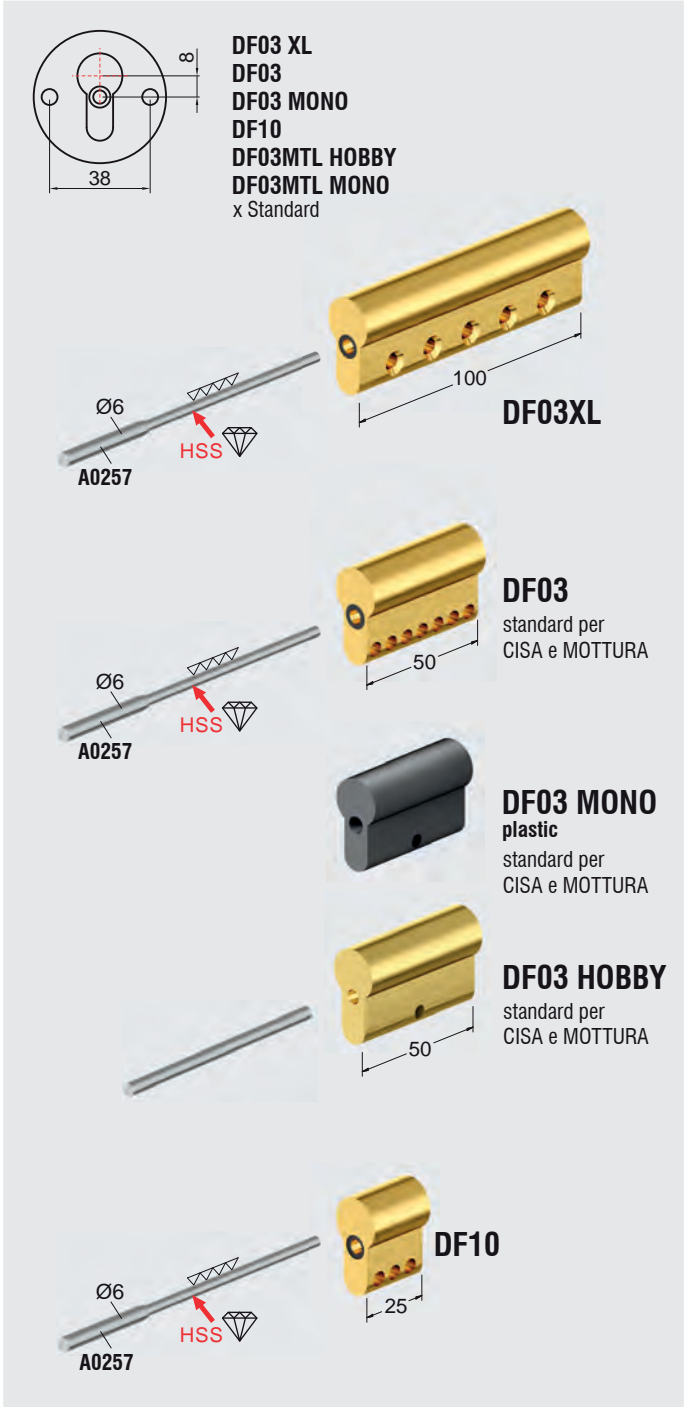
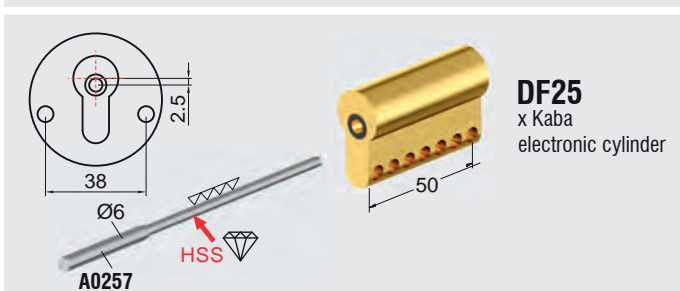
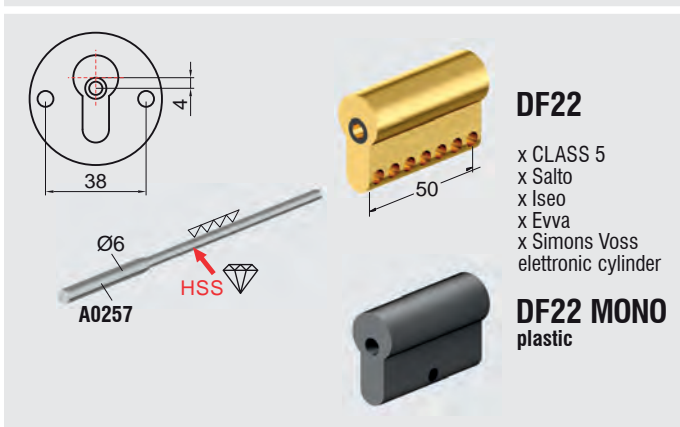
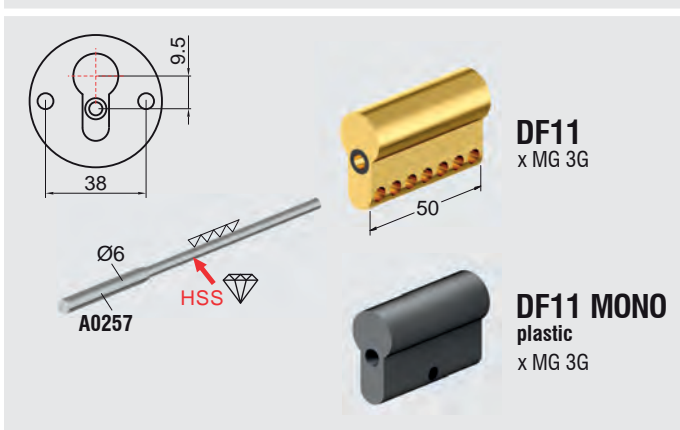
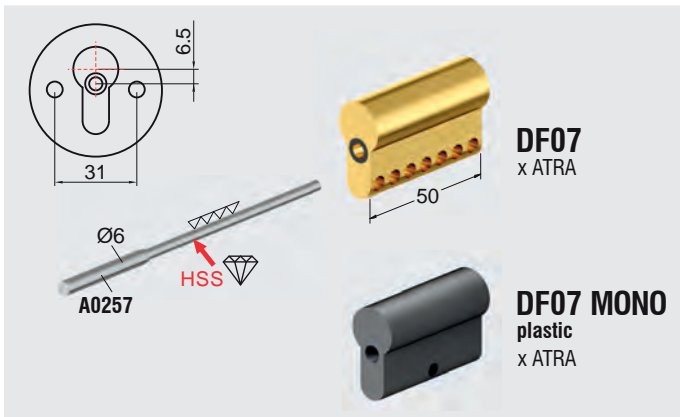
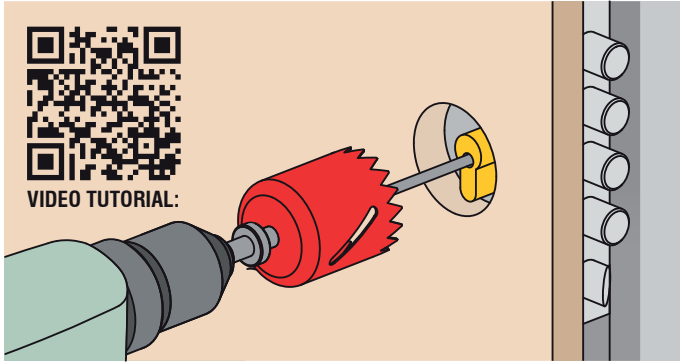


<p>18061205</p>  <p>Vite M6x120</p> <p>10 pz</p> <p>CLASSE 10.9</p>	<p>10060805</p>  <p>Vite M6x80</p> <p>10 pz</p> <p>CLASSE 12.9</p>				
<p>10061205</p>  <p>Vite M6x120</p> <p>10 pz</p> <p>CLASSE 12.9</p>	<p>10061005</p>  <p>Vite M6x100</p> <p>10 pz</p> <p>CLASSE 12.9</p>				
<p>A2578</p>  <p>Spessore m 8 Ø 50x2,5</p> <p>10 pz</p>	<p>18061005</p>  <p>Vite M6x100</p> <p>10 pz</p> <p>CLASSE 10.9</p>	<p>10060705</p>  <p>Vite M6x70</p> <p>10 pz</p> <p>CLASSE 12.9</p>	<p>10060605</p>  <p>Vite M6x60</p> <p>10 pz</p> <p>CLASSE 12.9</p>	<p>10060505</p>  <p>Vite M6x50</p> <p>10 pz</p> <p>CLASSE 12.9</p>	
<p>O-Ring</p>  <p>Ø 41x1,78</p> <p>10 pz</p>	<p>A1566</p>  <p>Spessore universale Ø 50x2,5</p> <p>10 pz</p>	<p>10080405</p>  <p>Vite M8x40</p> <p>10 pz</p>	<p>31030125</p>  <p>Vite Ø 3x12 ORO</p> <p>4 pz</p>	<p>31030125</p>  <p>Vite Ø 3x12 BRONZO</p> <p>4 pz</p>	<p>31030125</p>  <p>Vite Ø 3x12 ZINCATA</p> <p>4 pz</p>



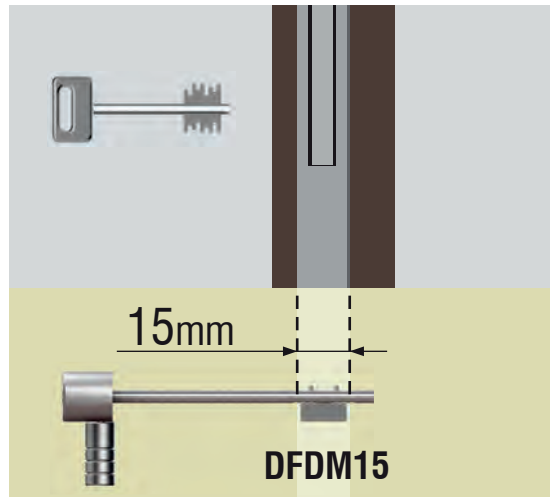
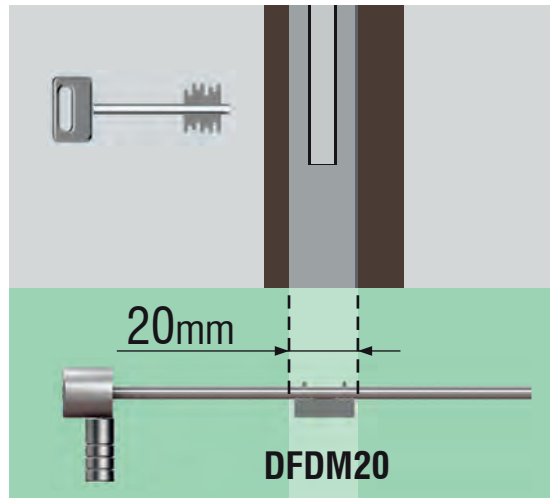
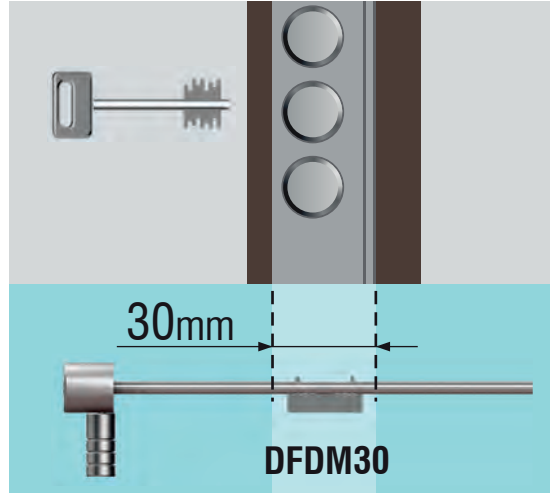
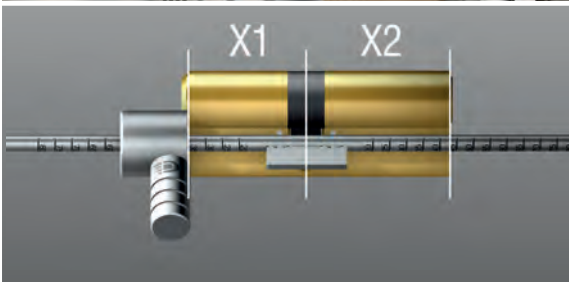
DF15
Dima
per
OMEGA







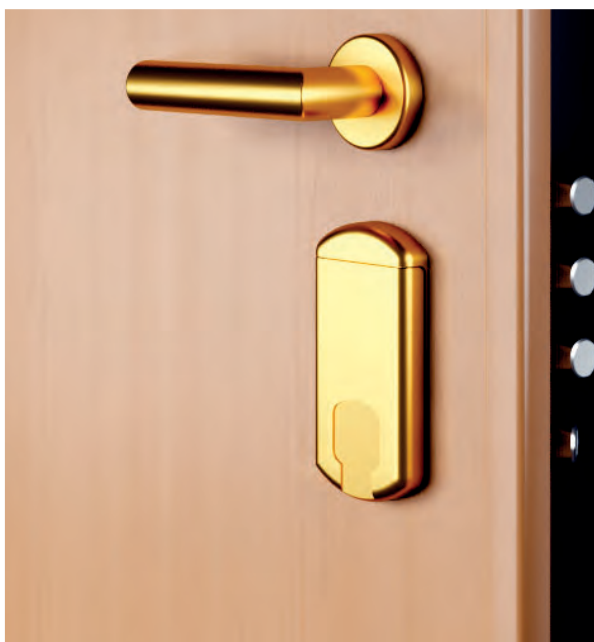
VIDEO TUTORIAL:





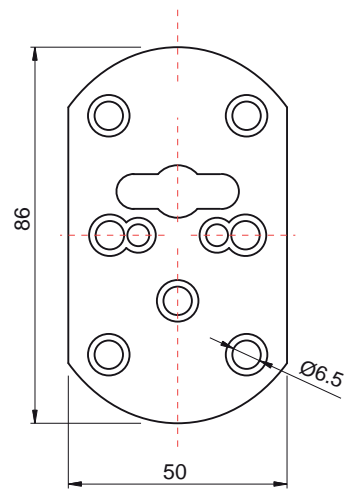
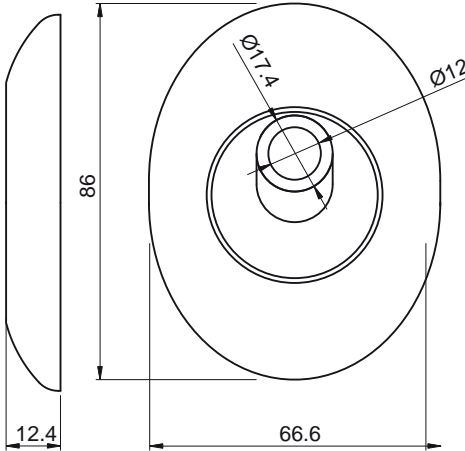
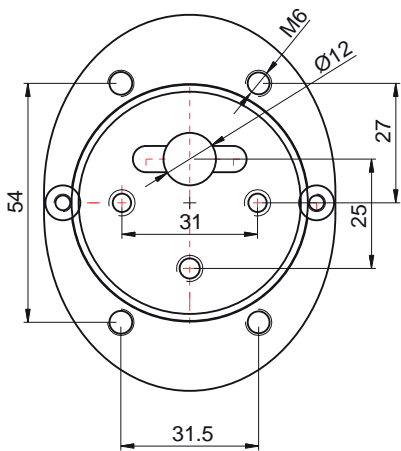
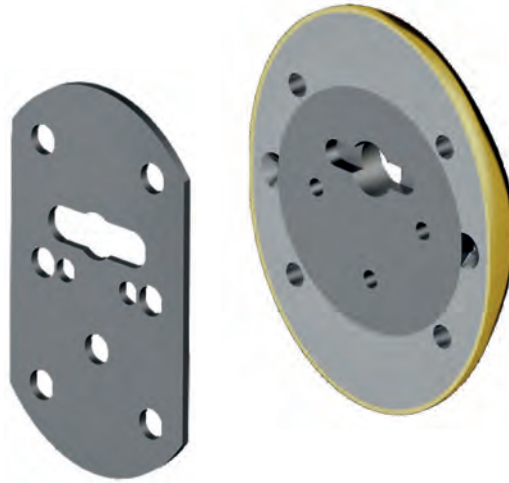
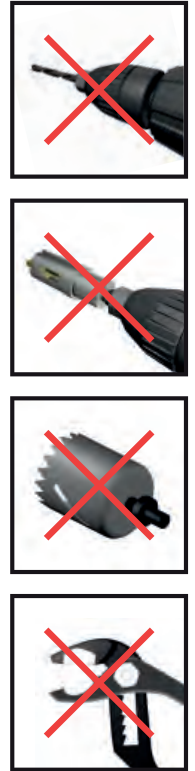
PROTEZIONI MAGNETICHE

*Magnetic
Guards*





3G85ST xΩ



A3195
Sp. 2mm

FINITURE FINISHES

Ⓒ Cromo lucido
Bright Chrome

Ⓙ Cromo satinato
Satin Chrome

Ⓜ PVD Ottone
PVD Brass



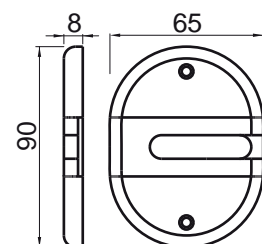
SEMPLICE DISPOSITIVO PER AVERE MAGGIOR SICUREZZA IN CASA

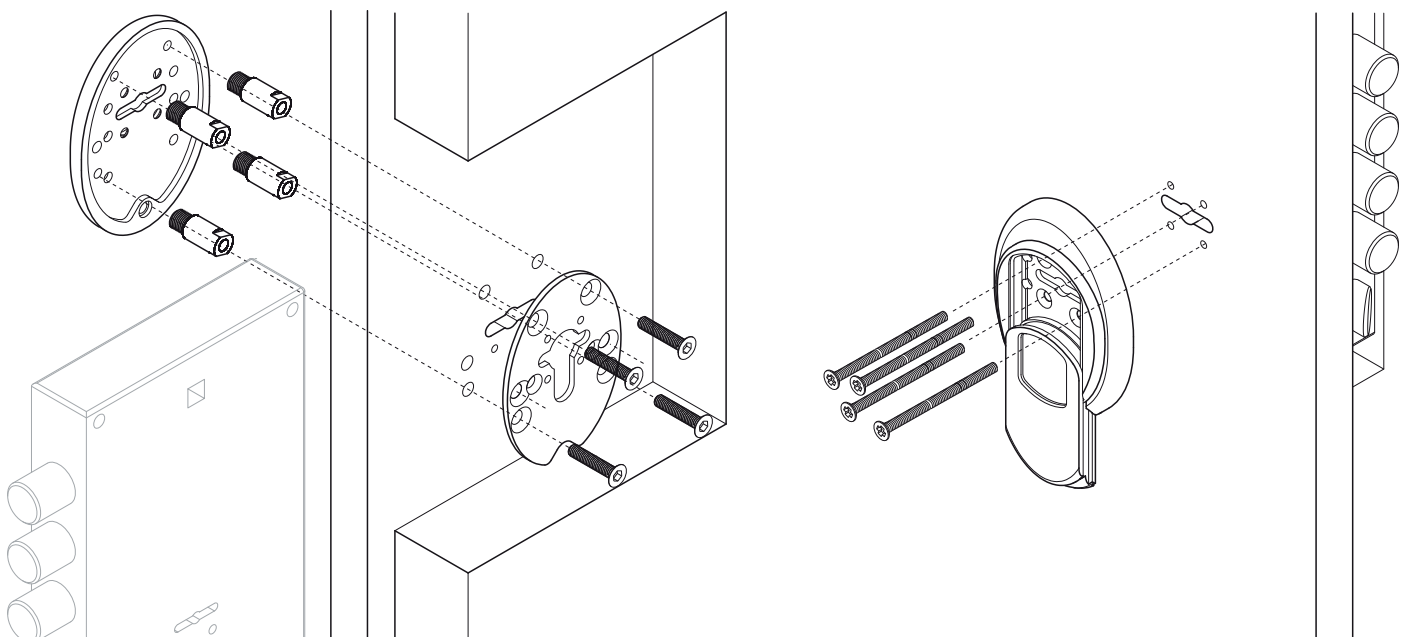
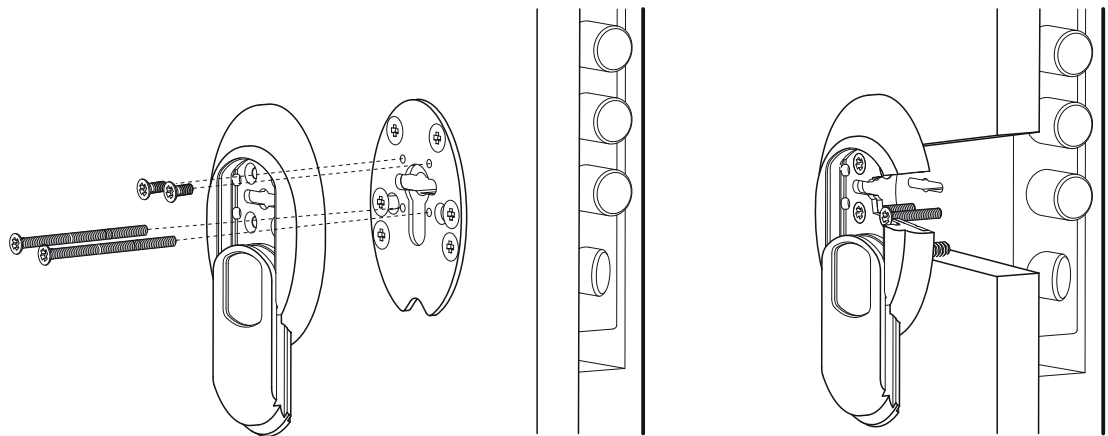
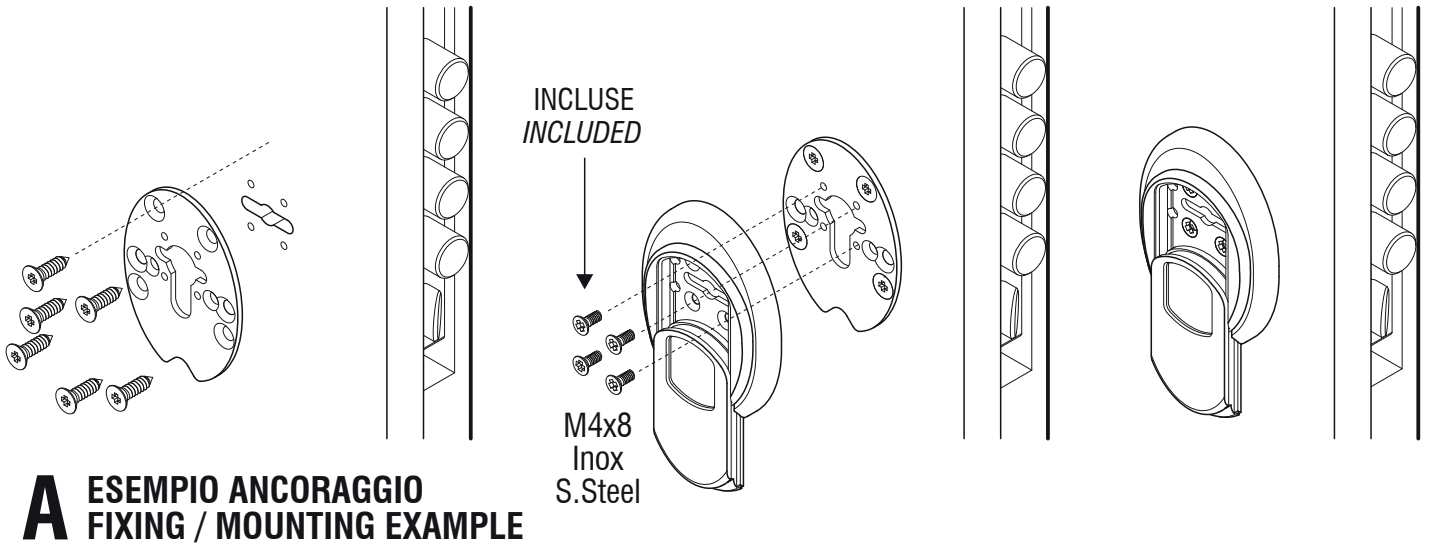
Protezione per porte con serratura a doppia mappa.
Evita l'espulsione della chiave all'interno.
Impedisce l'apertura della serratura con grimaldello.

SIMPLE DEVICE THAT ADDS SECURITY TO THE DOOR

Protection for doors fitted with lever locks.
It prevents the ejection of the key and the
following use of picking tools.

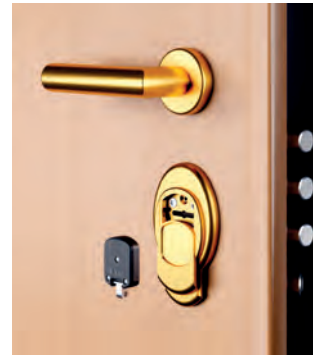
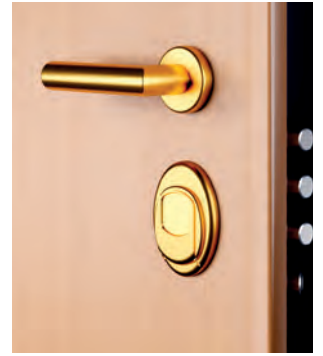
VIDEO:



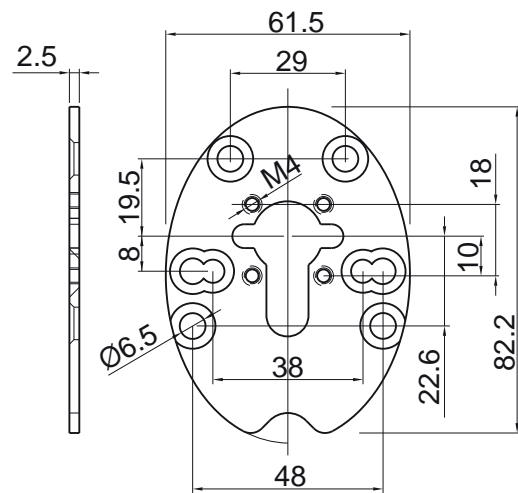
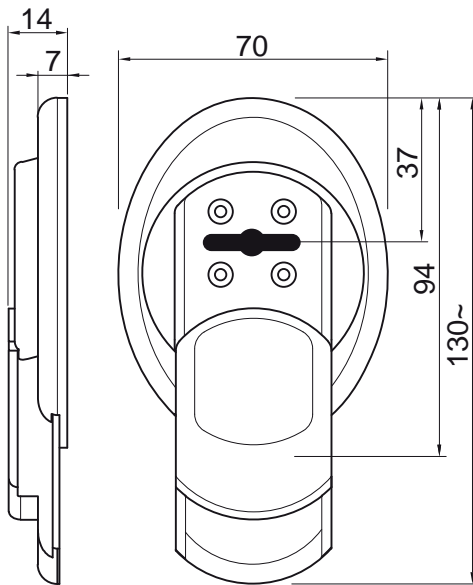
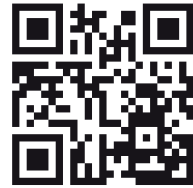




MG3551DM

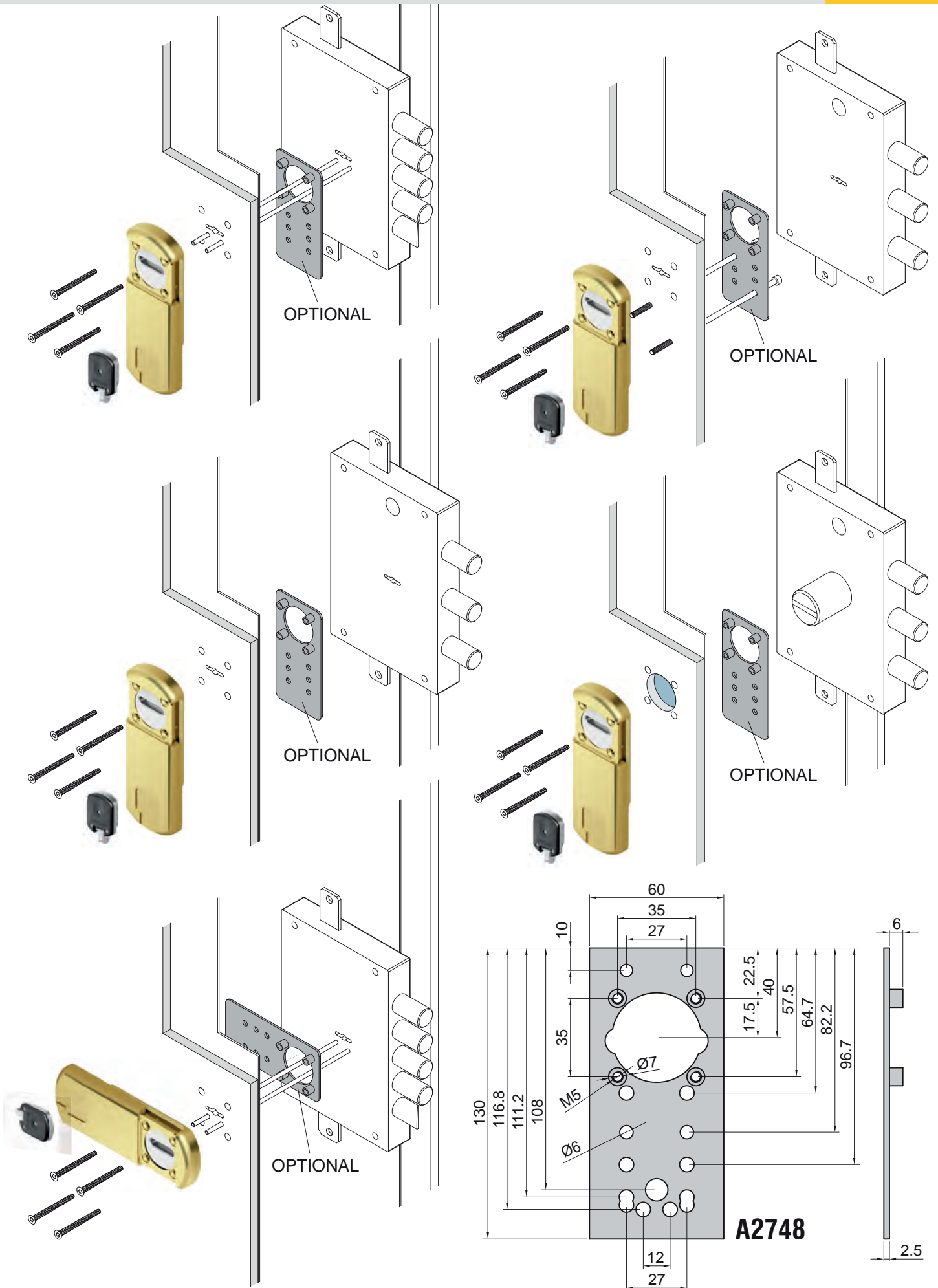


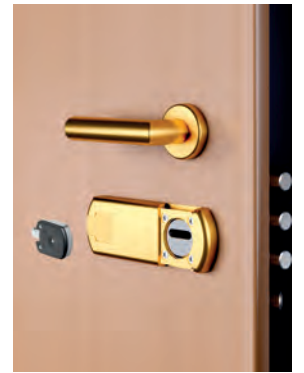
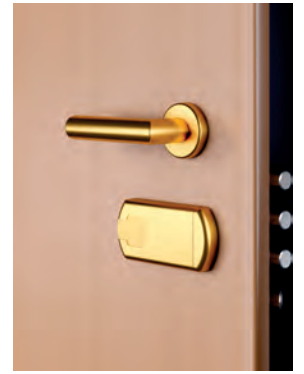
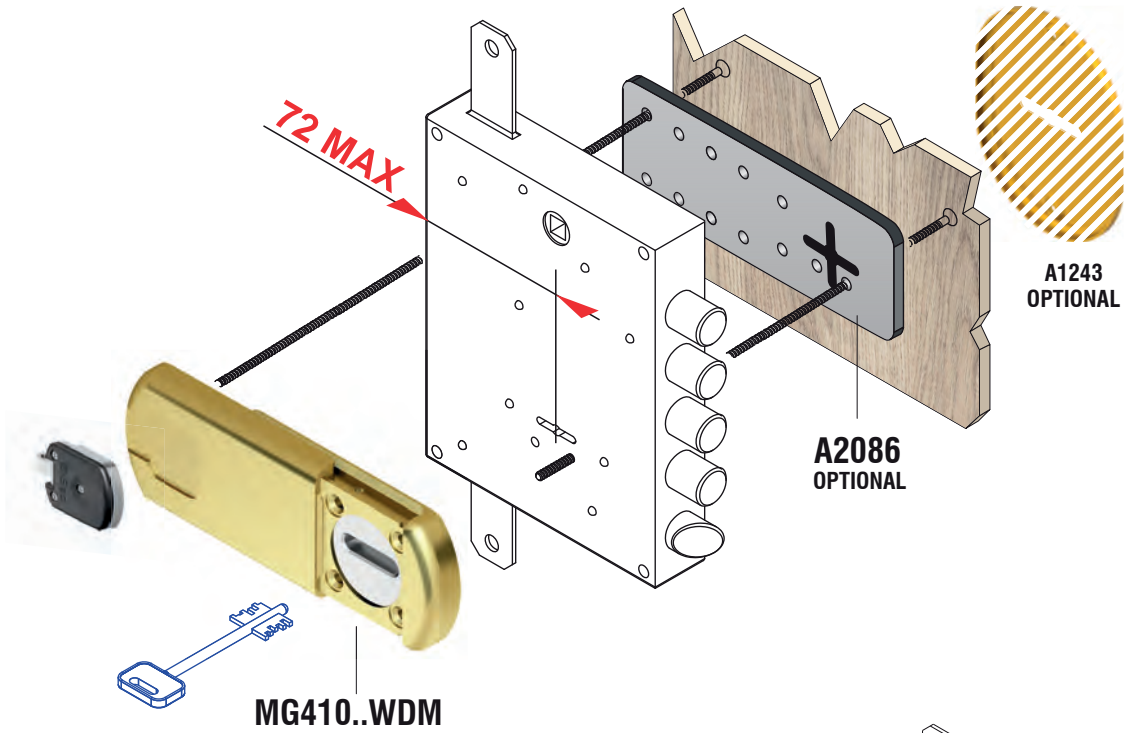
VIDEO:



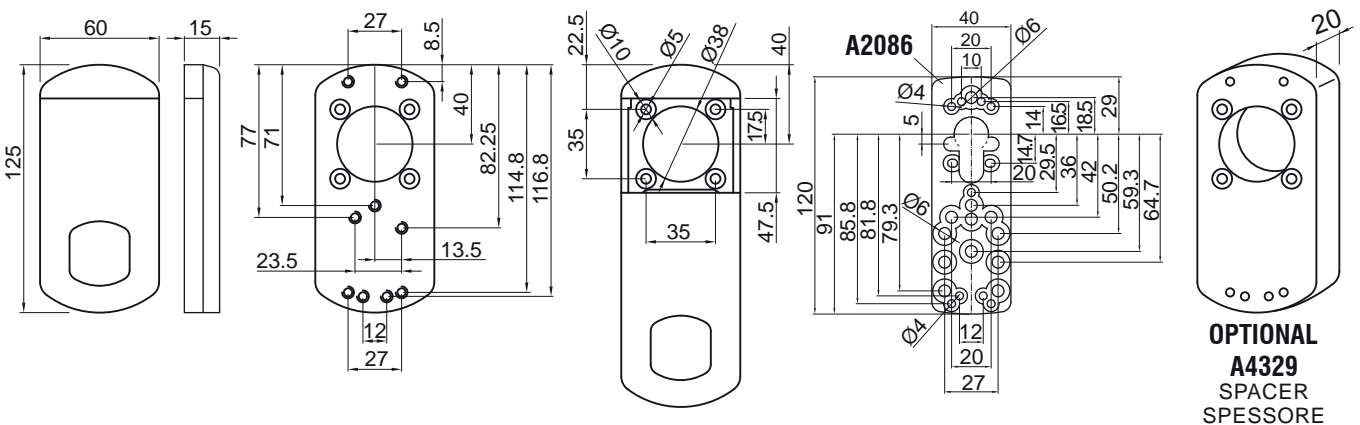
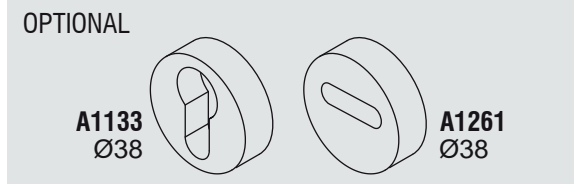
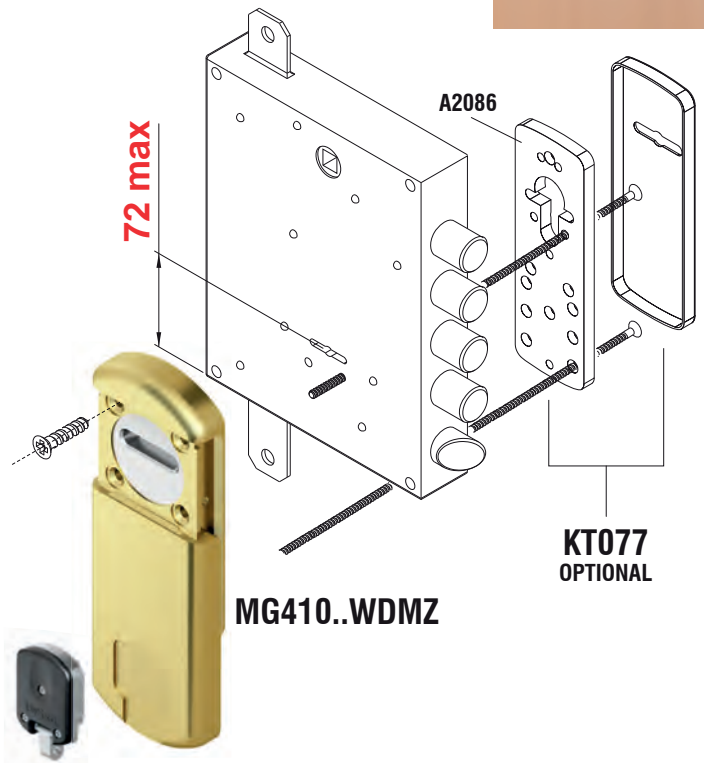
A3788

- | | | | | | |
|---------------------------------------|--|--|---------------------------------------|---------------------------------------|--|
| <input type="checkbox"/> W | Bianco RAL 9010
White RAL 9010 | <input type="checkbox"/> N | Nero
Black | <input type="checkbox"/> A | Champagne anodizzato
Anodized champagne |
| <input checked="" type="checkbox"/> C | Cromo lucido
Bright chrome | <input type="checkbox"/> 8 | PVD Nero lucido
PVD Bright black | <input type="checkbox"/> 9 | Oro anodizzato
Anodized gold |
| <input checked="" type="checkbox"/> T | Cromo satinato
Satin chrome | <input type="checkbox"/> T8 | PVD Nero antracite
PVD Satin black | <input checked="" type="checkbox"/> 2 | PVD Ottone
PVD Brass |
| <input type="checkbox"/> 6 | Argento anodizzato
Anodized silver | <input checked="" type="checkbox"/> B | Bronzo
Bronze | <input type="checkbox"/> L | Ottone lucido
Bright brass |
| <input type="checkbox"/> IT | Inox satinato
Satin stainless steel | <input checked="" type="checkbox"/> BS | Bronzo satinato
Satin bronze | <input type="checkbox"/> TT | Ottone satinato
Satin brass |



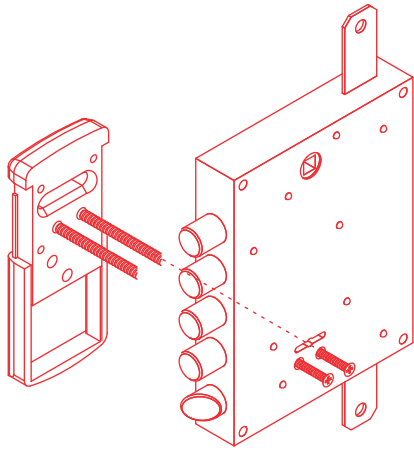


<input type="checkbox"/> W	Bianco RAL 9010 White RAL 9010	<input type="checkbox"/> A	Champagne anodizzato Anodized champagne
<input checked="" type="checkbox"/> C	Cromo lucido Bright chrome	<input type="checkbox"/> 9	Oro anodizzato Anodized gold
<input checked="" type="checkbox"/> T	Cromo satinato Satin chrome	<input checked="" type="checkbox"/> 2	PVD Ottone PVD Brass
<input type="checkbox"/> 6	Argento anodizzato Anodized silver	<input type="checkbox"/> L	Ottone lucido Bright brass
<input type="checkbox"/> IT	Inox satinato Satin stainless steel	<input type="checkbox"/> TT	Ottone satinato Satin brass
<input type="checkbox"/> N	Nero Black	VIDEO: 	
<input checked="" type="checkbox"/> 8	PVD Nero lucido PVD Bright black		
<input type="checkbox"/> T8	PVD Nero antracite PVD Satin black		
<input checked="" type="checkbox"/> B	Bronzo Bronze		
<input checked="" type="checkbox"/> BS	Bronzo satinato Satin bronze		



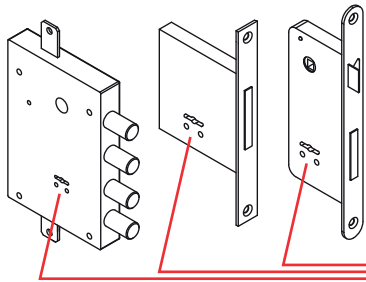
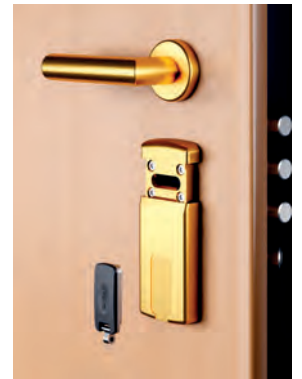
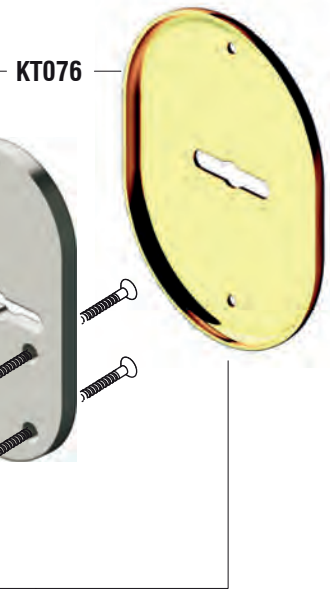


PAT. PEND.

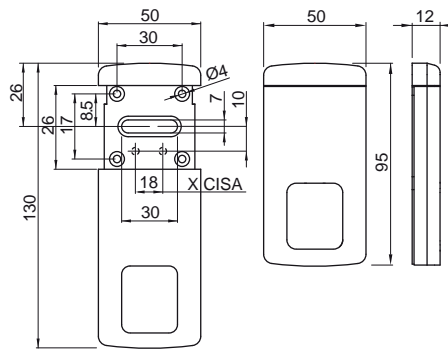


MG220 MINI

MG220 MINI Y

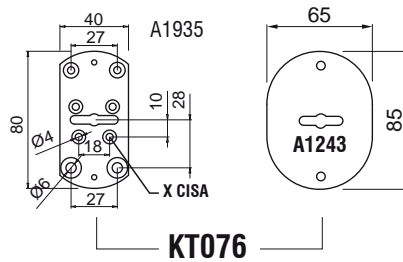
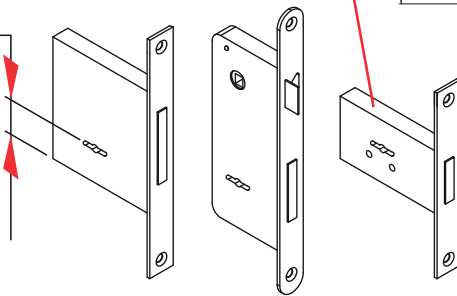


All CISA locks
X CISA tutte



25mm MAX

- X ATRA
- X CERUTTI
- X CISA
- X ISEO
- X MOTTURA
- X SAAB
- X SICUREMME



KT076

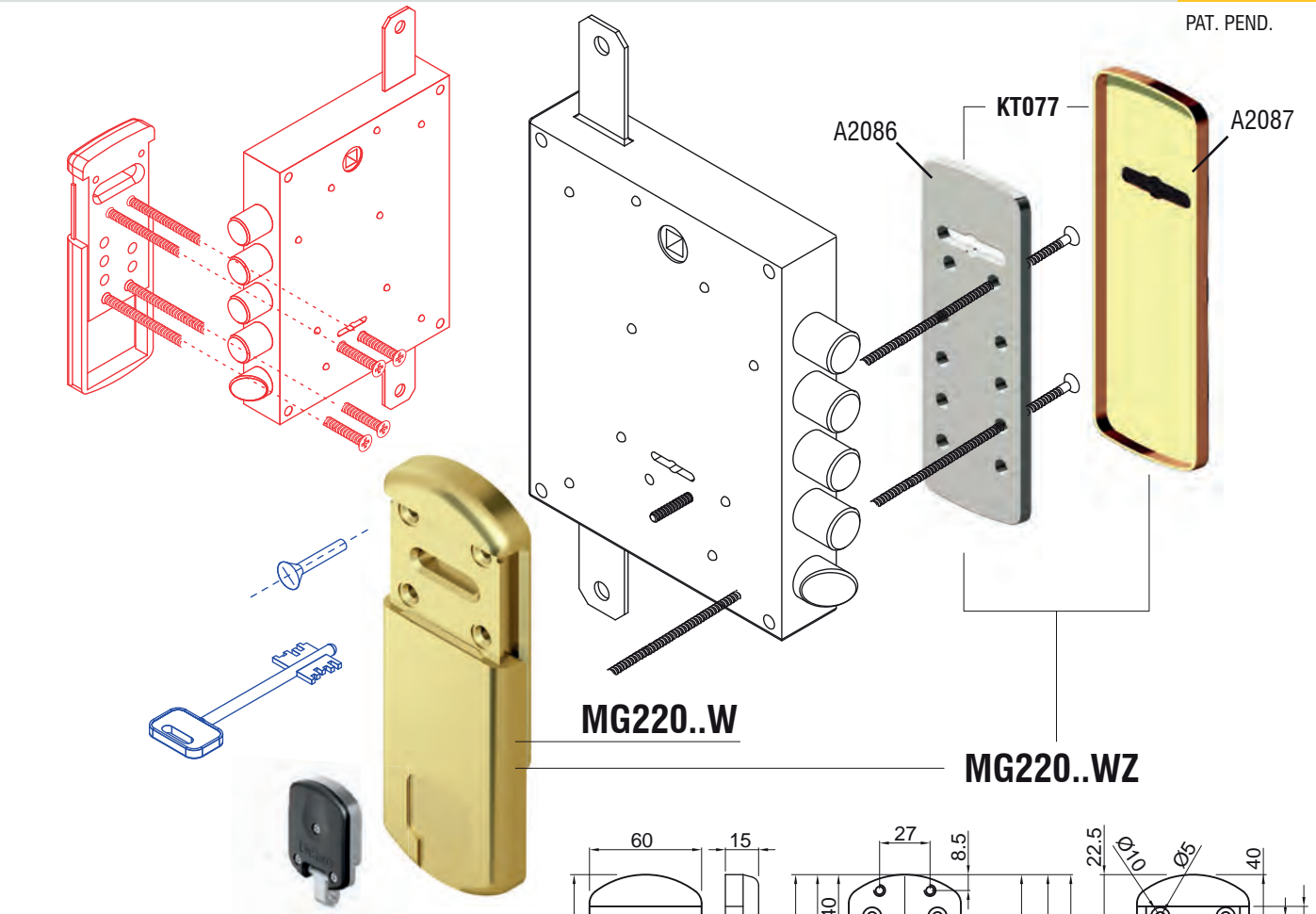
- | | | |
|--|--|---|
| <input type="checkbox"/> W Bianco RAL 9010
White RAL 9010 | <input type="checkbox"/> N Nero
Black | <input type="checkbox"/> A Champagne anodizzato
Anodized champagne |
| <input checked="" type="checkbox"/> C Cromo lucido
Bright chrome | <input type="checkbox"/> 8 PVD Nero lucido
PVD Bright black | <input type="checkbox"/> 9 Oro anodizzato
Anodized gold |
| <input checked="" type="checkbox"/> T Cromo satinato
Satin chrome | <input type="checkbox"/> T8 PVD Nero antracite
PVD Satin black | <input checked="" type="checkbox"/> 2 PVD Ottone
PVD Brass |
| <input type="checkbox"/> 6 Argento anodizzato
Anodized silver | <input checked="" type="checkbox"/> B Bronzo
Bronze | <input type="checkbox"/> L Ottone lucido
Bright brass |
| <input type="checkbox"/> IT Inox satinato
Satin stainless steel | <input checked="" type="checkbox"/> BS Bronzo satinato
Satin bronze | <input type="checkbox"/> TT Ottone satinato
Satin brass |

VIDEO:



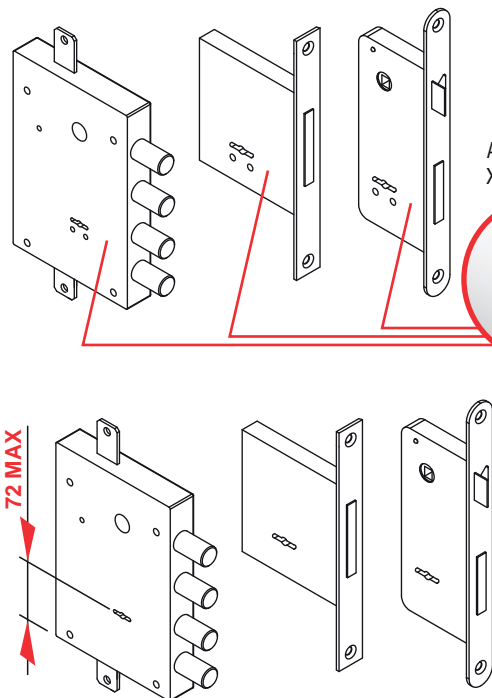


PAT. PEND.

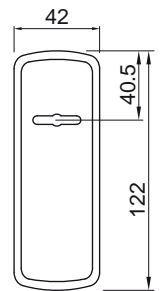
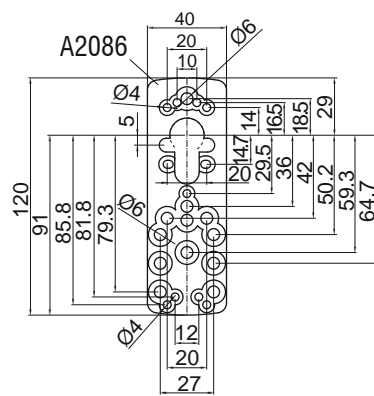
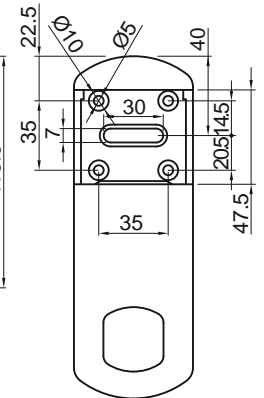
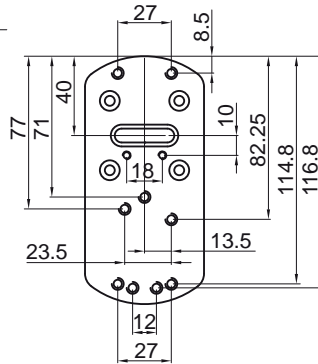
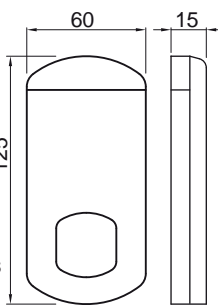


MG220..W

MG220..WZ



All CISA locks
X CISA tutte



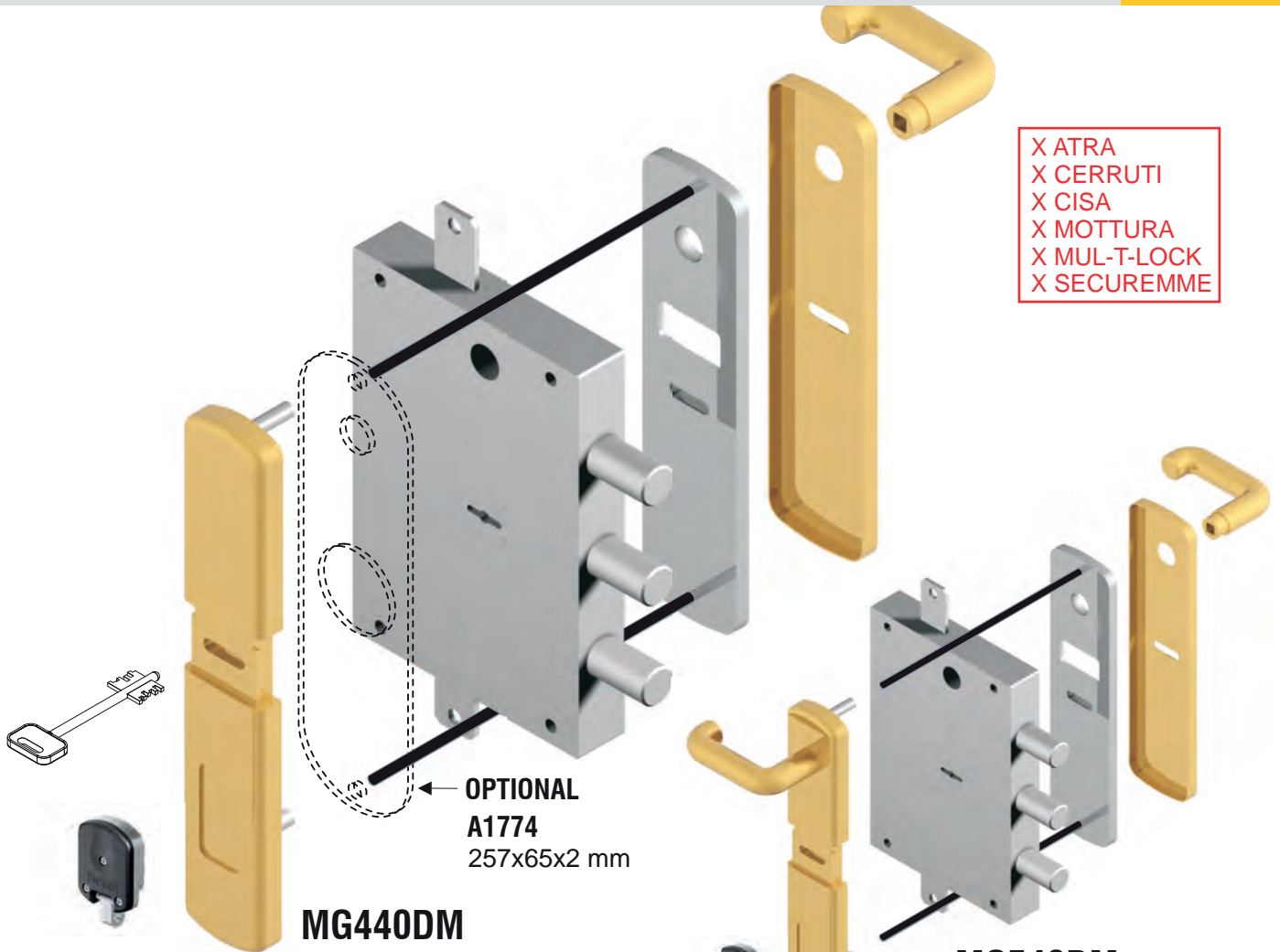
- X ATRA serie NS21/NS54
- X CERUTTI
- X CISA serie 57/73
- X ISEO serie 26/96
- X MOTTURA serie 36/40/41/45/68/72
- X SAAB
- X SICUREMME serie 2000/2022

KT077

- | | | |
|--|--|---|
| <input type="checkbox"/> W Bianco RAL 9010
White RAL 9010 | <input type="checkbox"/> N Nero
Black | <input type="checkbox"/> A Champagne anodizzato
Anodized champagne |
| <input checked="" type="checkbox"/> C Cromo lucido
Bright chrome | <input type="checkbox"/> 8 PVD Nero lucido
PVD Bright black | <input type="checkbox"/> 9 Oro anodizzato
Anodized gold |
| <input checked="" type="checkbox"/> T Cromo satinato
Satin chrome | <input type="checkbox"/> T8 PVD Nero antracite
PVD Satin black | <input checked="" type="checkbox"/> 2 PVD Ottone
PVD Brass |
| <input type="checkbox"/> 6 Argento anodizzato
Anodized silver | <input checked="" type="checkbox"/> B Bronzo
Bronze | <input type="checkbox"/> L Ottone lucido
Bright brass |
| <input type="checkbox"/> IT Inox satinato
Satin stainless steel | <input checked="" type="checkbox"/> BS Bronzo satinato
Satin bronze | <input type="checkbox"/> TT Ottone satinato
Satin brass |

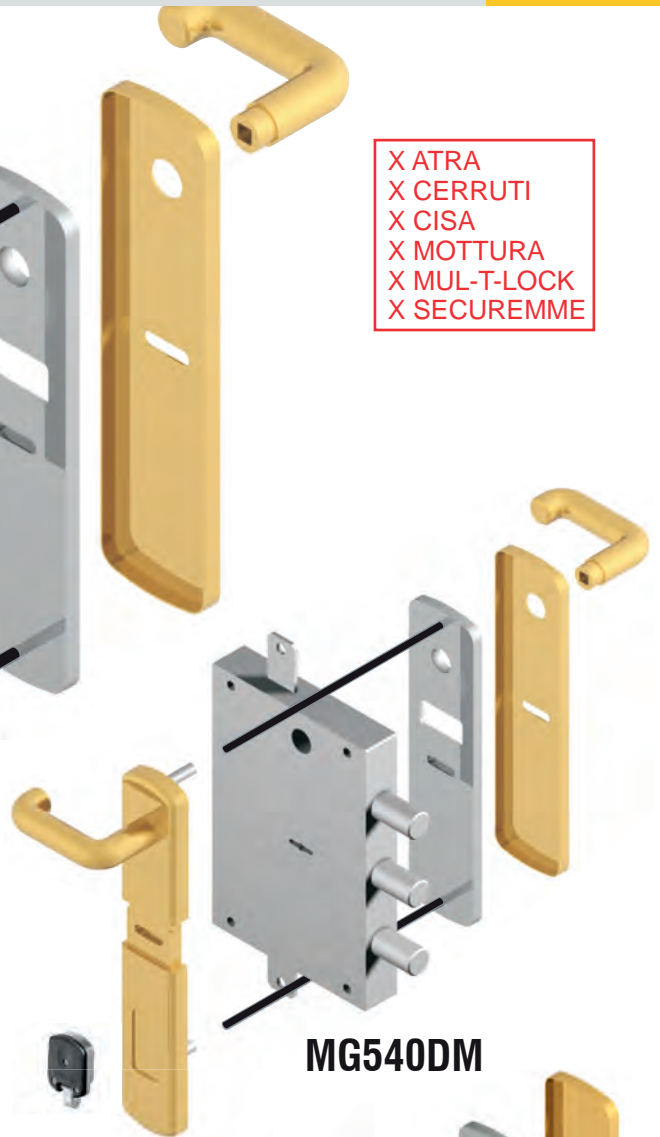
VIDEO:



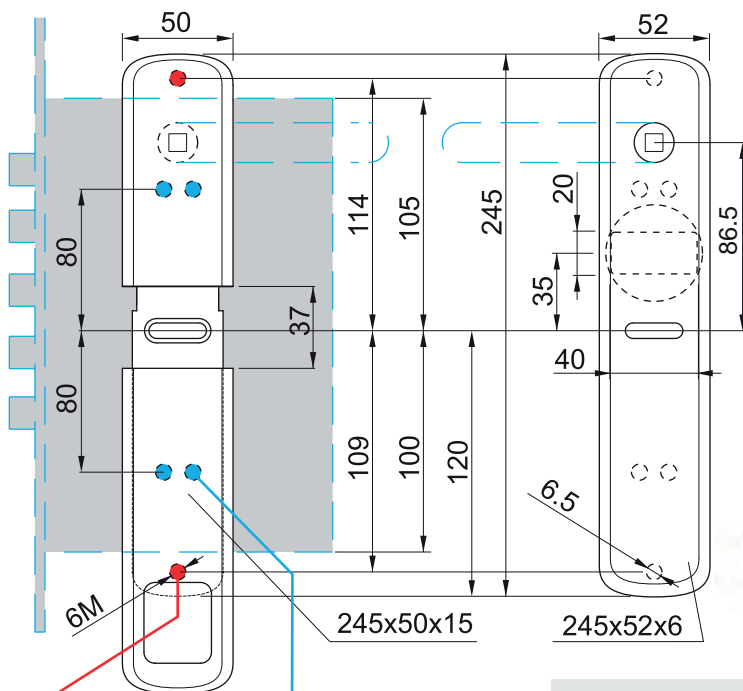


OPTIONAL
A1774
257x65x2 mm

MG440DM



MG540DM



MG640DM

X YALE - BETA 1330565180
X POTENT 1900NA

X ATRA
X CERRUTI
X CISA
X MOTTURA
X MUL-T-LOCK
X SECUREMME

X YALE - BETA
1330565180
X POTENT
1900NA

- W Bianco RAL 9010
White RAL 9010
- C Cromo lucido
Bright chrome
- T Cromo satinato
Satin chrome
- 6 Argento anodizzato
Anodized silver
- IT Inox satinato
Satin stainless steel

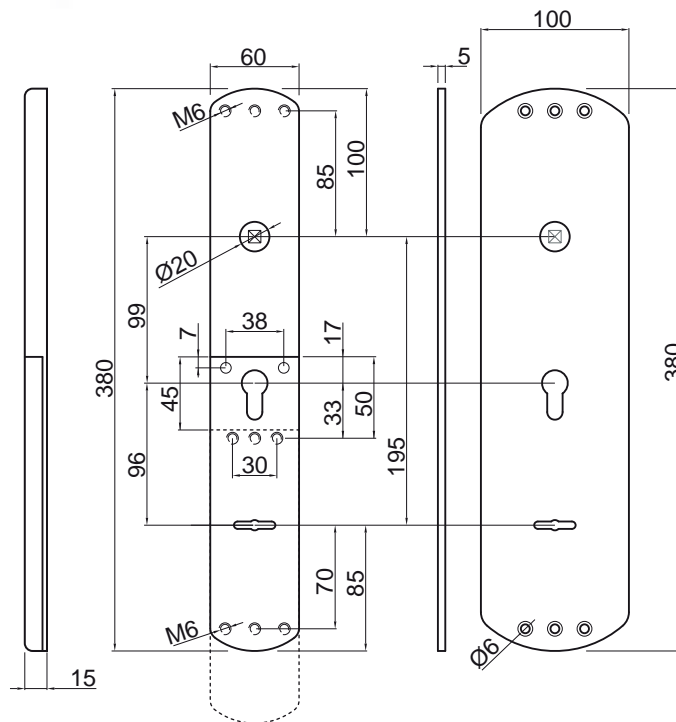
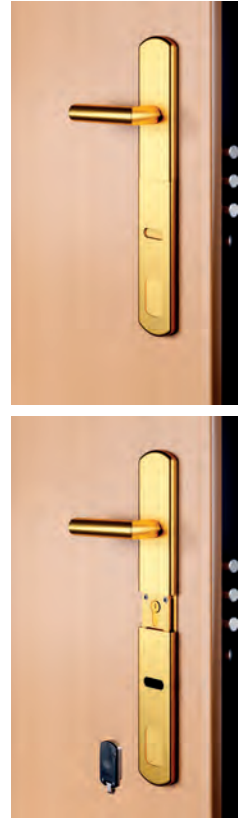
- N Nero
Black
- 8 PVD Nero lucido
PVD Bright black
- T8 PVD Nero antracite
PVD Satin black
- B Bronzo
Bronze
- BS Bronzo satinato
Satin bronze

- A Champagne anodizzato
Anodized champagne
- 9 Oro anodizzato
Anodized gold
- 2 PVD Ottone
PVD Brass
- L Ottone lucido
Bright brass
- TT Ottone satinato
Satin brass

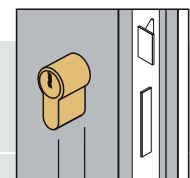


X BETA / YALE - CORNI 531

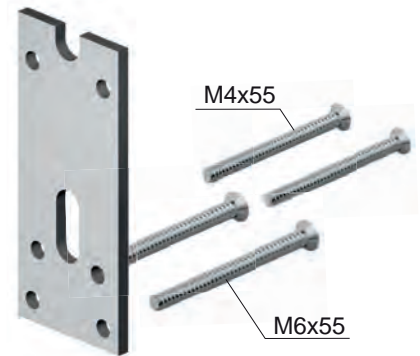
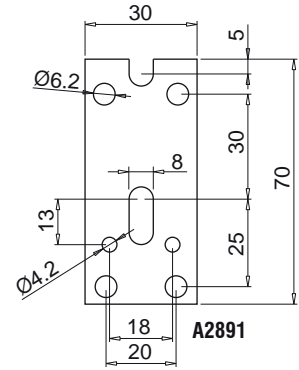
MGYACO4



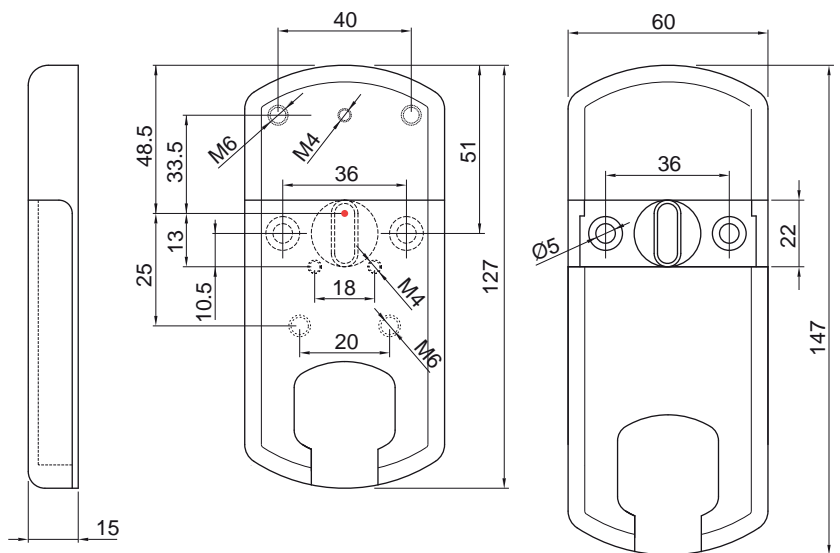
- | | | |
|---|---|---|
| <input type="checkbox"/> W Bianco RAL 9010
White RAL 9010 | <input type="checkbox"/> N Nero
Black | <input type="checkbox"/> A Champagne anodizzato
Anodized champagne |
| <input type="checkbox"/> C Cromo lucido
Bright chrome | <input type="checkbox"/> 8 PVD Nero lucido
PVD Bright black | <input checked="" type="checkbox"/> 9 Oro anodizzato
Anodized gold |
| <input type="checkbox"/> T Cromo satinato
Satin chrome | <input type="checkbox"/> T8 PVD Nero antracite
PVD Satin black | <input checked="" type="checkbox"/> 2 PVD Ottone
PVD Brass |
| <input checked="" type="checkbox"/> 6 Argento anodizzato
Anodized silver | <input checked="" type="checkbox"/> B Bronzo
Bronze | <input type="checkbox"/> L Ottone lucido
Bright brass |
| <input type="checkbox"/> IT Inox satinato
Satin stainless steel | <input type="checkbox"/> BS Bronzo satinato
Satin bronze | <input type="checkbox"/> TT Ottone satinato
Satin brass |



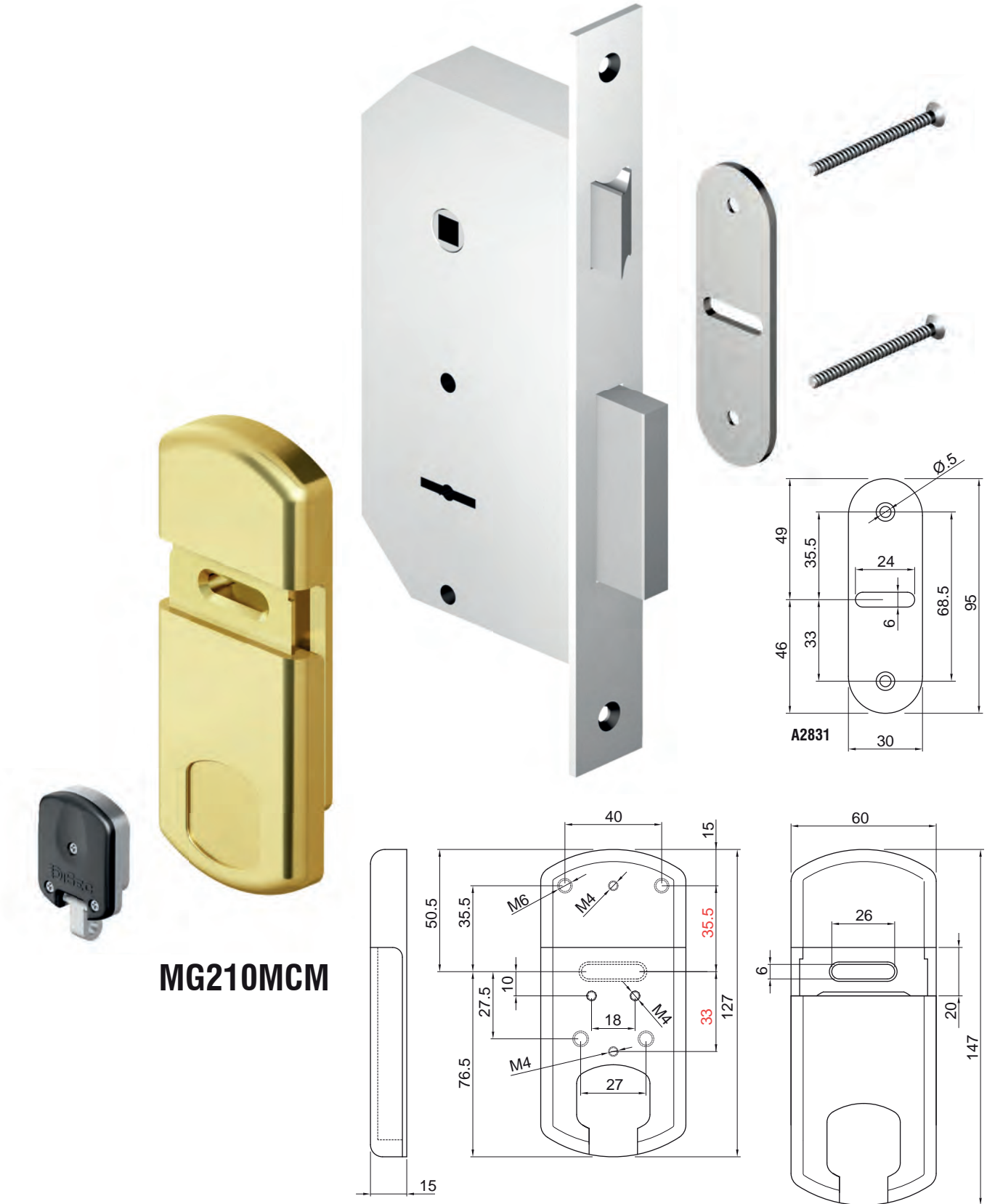
Max.mm 12



MG210ARCU

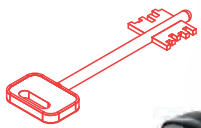


- | | | |
|--|--|--|
| <input type="checkbox"/> W Bianco RAL 9010
White RAL 9010 | <input type="checkbox"/> N Nero
Black | <input type="checkbox"/> A Champagne anodizzato
Anodized champagne |
| <input type="checkbox"/> C Cromo lucido
Bright chrome | <input type="checkbox"/> 8 PVD Nero lucido
PVD Bright black | <input checked="" type="checkbox"/> 9 Oro anodizzato
Anodized gold |
| <input type="checkbox"/> T Cromo satinato
Satin chrome | <input type="checkbox"/> T8 PVD Nero antracite
PVD Satin black | <input type="checkbox"/> 2 PVD Ottone
PVD Brass |
| <input checked="" type="checkbox"/> 6 Argento anodizzato
Anodized silver | <input type="checkbox"/> B Bronzo
Bronze | <input type="checkbox"/> L Ottone lucido
Bright brass |
| <input type="checkbox"/> IT Inox satinato
Satin stainless steel | <input type="checkbox"/> BS Bronzo satinato
Satin bronze | <input type="checkbox"/> TT Ottone satinato
Satin brass |

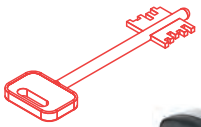
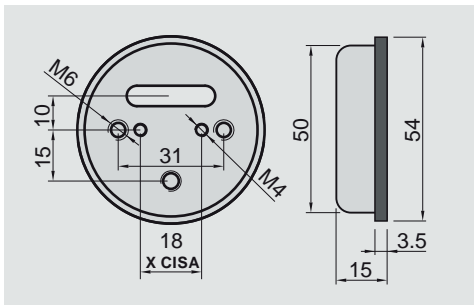


MG210MCM

- | | | |
|---|---|---|
| <input type="checkbox"/> W Bianco RAL 9010
White RAL 9010 | <input type="checkbox"/> N Nero
Black | <input type="checkbox"/> A Champagne anodizzato
Anodized champagne |
| <input type="checkbox"/> C Cromo lucido
Bright chrome | <input type="checkbox"/> 8 PVD Nero lucido
PVD Bright black | <input checked="" type="checkbox"/> 9 Oro anodizzato
Anodized gold |
| <input type="checkbox"/> T Cromo satinato
Satin chrome | <input type="checkbox"/> T8 PVD Nero antracite
PVD Satin black | <input type="checkbox"/> 2 PVD Ottone
PVD Brass |
| <input checked="" type="checkbox"/> 6 Argento anodizzato
Anodized silver | <input type="checkbox"/> B Bronzo
Bronze | <input type="checkbox"/> L Ottone lucido
Bright brass |
| <input type="checkbox"/> IT Inox satinato
Satin stainless steel | <input type="checkbox"/> BS Bronzo satinato
Satin bronze | <input type="checkbox"/> TT Ottone satinato
Satin brass |



3GDM15



3GDM15

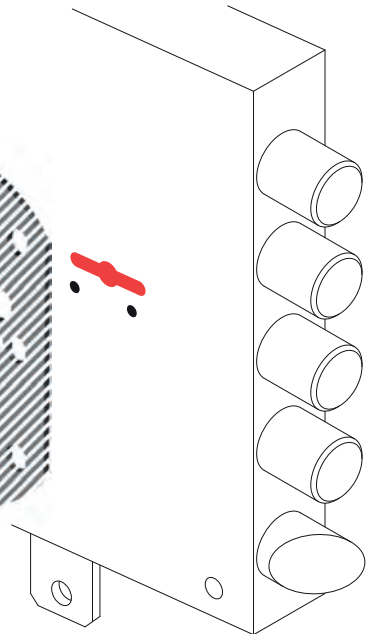


3GDM15P

KT056



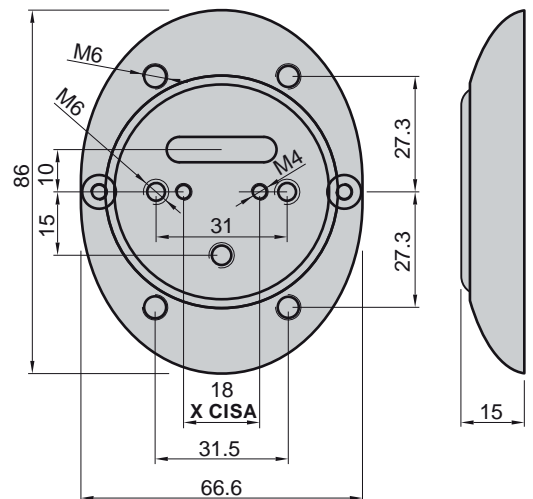
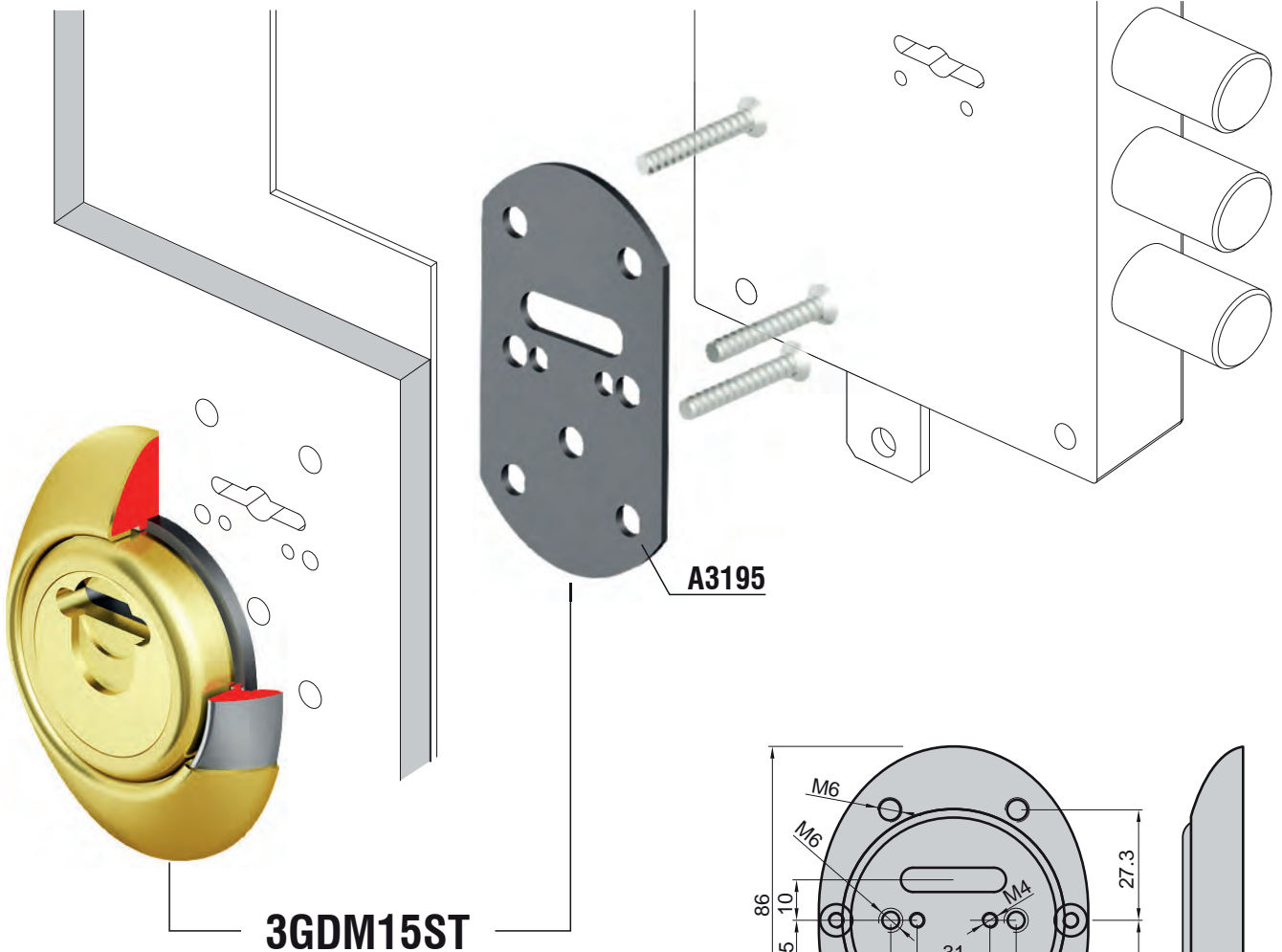
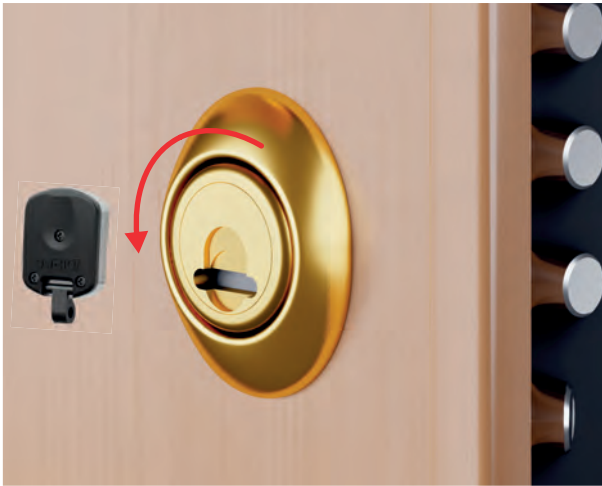
A3195
OPTIONAL



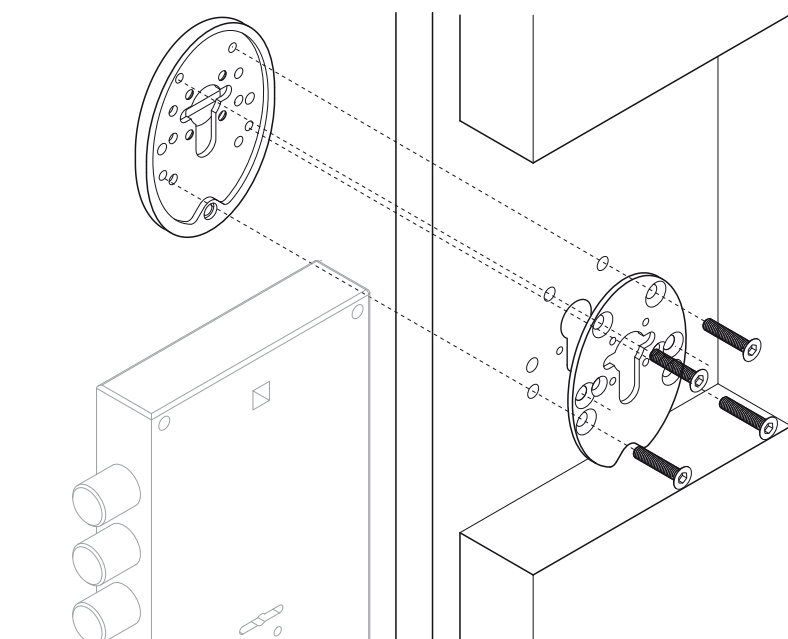
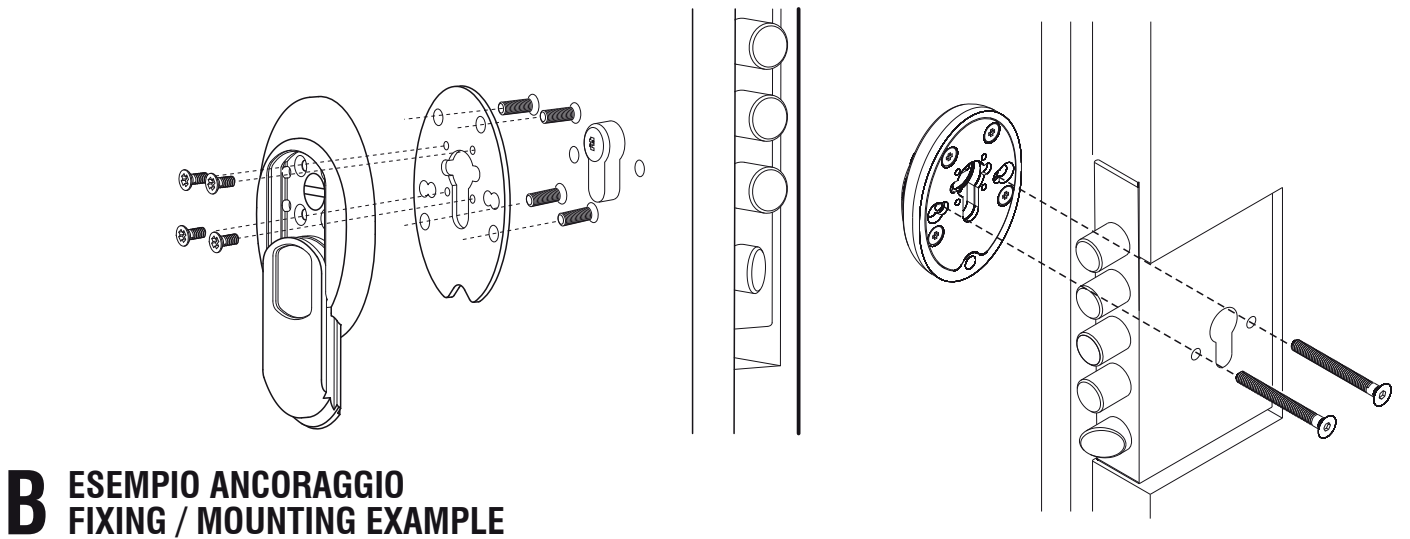
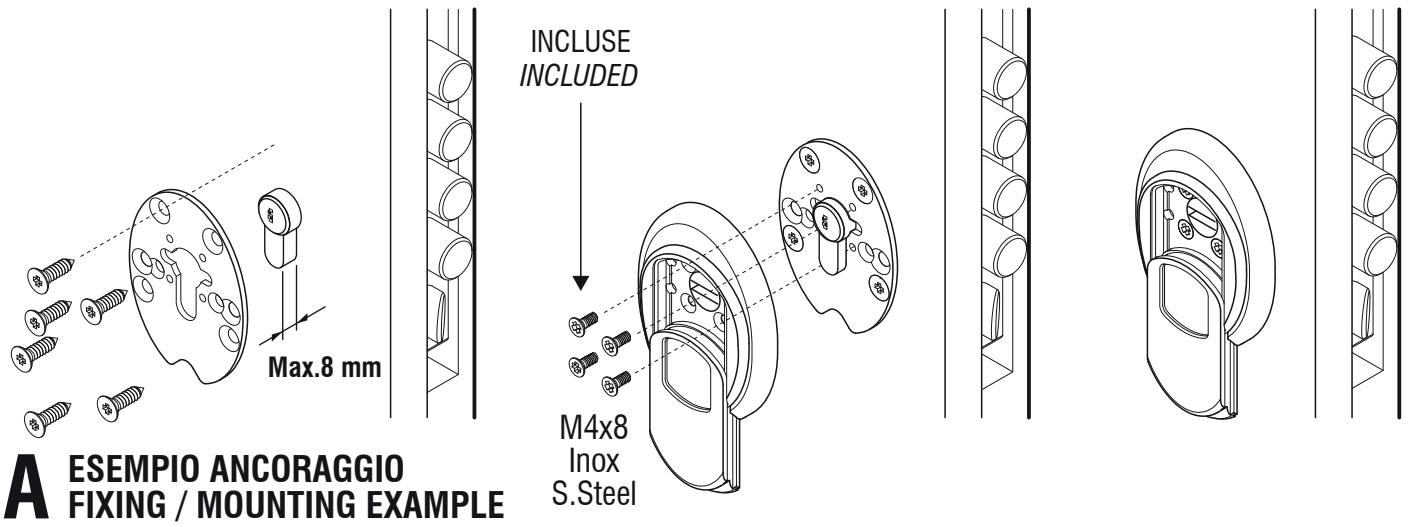
- W** Bianco RAL 9010
White RAL 9010
- C** Cromo lucido
Bright chrome
- T** Cromo satinato
Satin chrome
- 6** Argento anodizzato
Anodized silver
- IT** Inox satinato
Satin stainless steel

- N** Nero
Black
- 8** PVD Nero lucido
PVD Bright black
- T8** PVD Nero antracite
PVD Satin black
- B** Bronzo
Bronze
- BS** Bronzo satinato
Satin bronze

- A** Champagne anodizzato
Anodized champagne
- 9** Oro anodizzato
Anodized gold
- 2** PVD Ottone
PVD Brass
- L** Ottone lucido
Bright brass
- TT** Ottone satinato
Satin brass

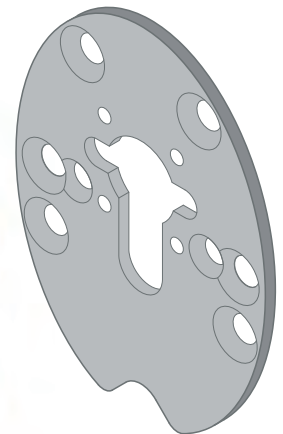
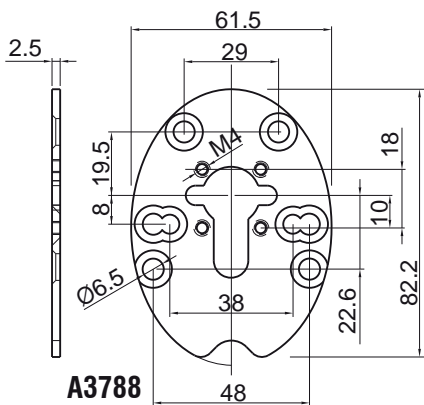
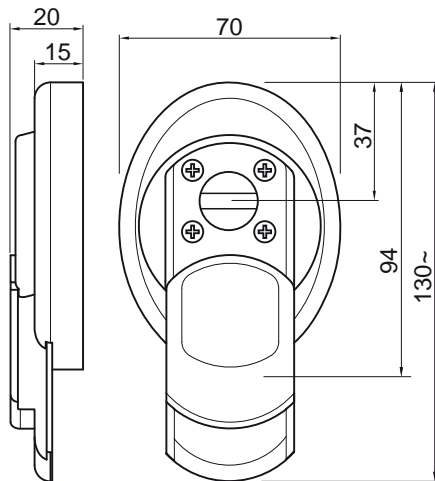
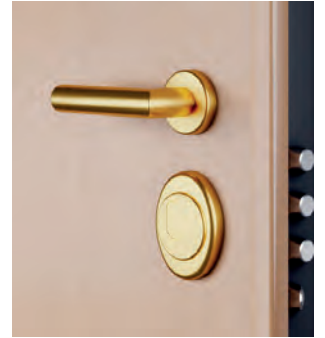
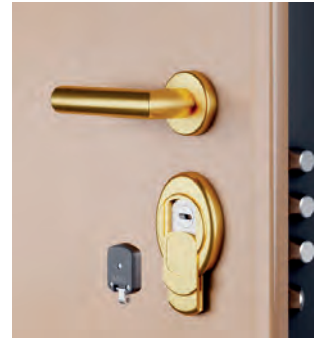
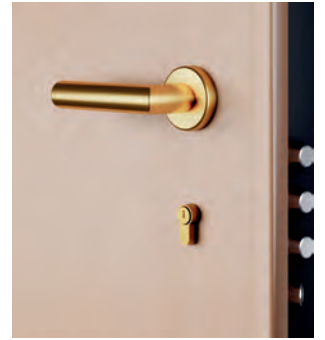
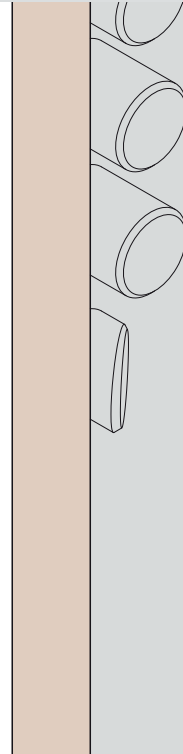


- | | | | | | |
|--|--|---------------------------------------|---------------------------------------|--|--|
| <input type="checkbox"/> W | Bianco RAL 9010
White RAL 9010 | <input type="checkbox"/> N | Nero
Black | <input type="checkbox"/> A | Champagne anodizzato
Anodized champagne |
| <input checked="" type="checkbox"/> C | Cromo lucido
Bright chrome | <input type="checkbox"/> 8 | PVD Nero lucido
PVD Bright black | <input type="checkbox"/> 9 | Oro anodizzato
Anodized gold |
| <input checked="" type="checkbox"/> T | Cromo satinato
Satin chrome | <input type="checkbox"/> T8 | PVD Nero antracite
PVD Satin black | <input checked="" type="checkbox"/> 2 | PVD Ottone
PVD Brass |
| <input type="checkbox"/> 6 | Argento anodizzato
Anodized silver | <input checked="" type="checkbox"/> B | Bronzo
Bronze | <input type="checkbox"/> L | Ottone lucido
Bright brass |
| <input checked="" type="checkbox"/> IT | Inox satinato
Satin stainless steel | <input type="checkbox"/> BS | Bronzo satinato
Satin bronze | <input checked="" type="checkbox"/> TT | Ottone satinato
Satin brass |

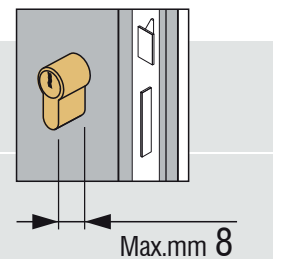


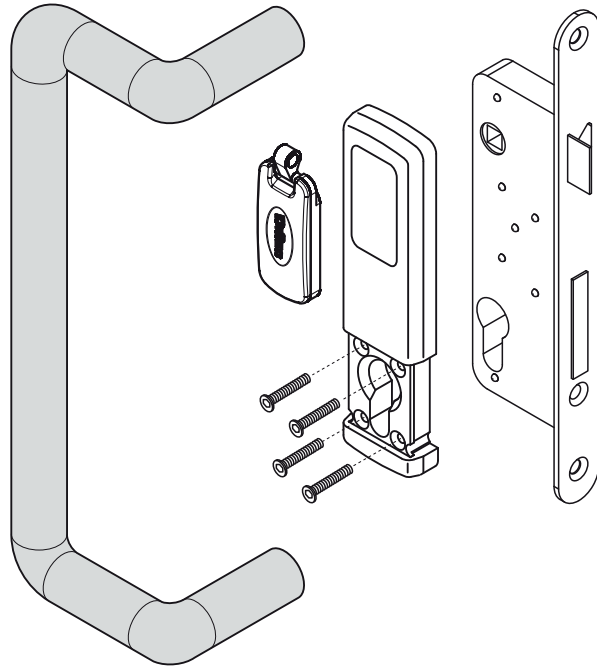
VIDEO:



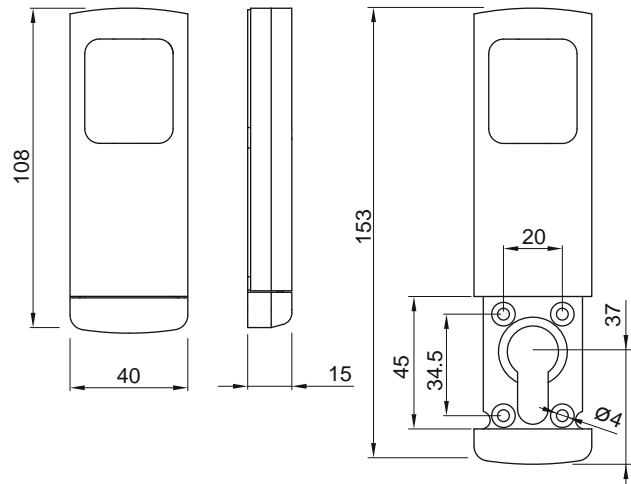


- | | | |
|--|---|---|
| <input type="checkbox"/> W Bianco RAL 9010
White RAL 9010 | <input type="checkbox"/> N Nero
Black | <input type="checkbox"/> A Champagne anodizzato
Anodized champagne |
| <input checked="" type="checkbox"/> C Cromo lucido
Bright chrome | <input type="checkbox"/> 8 PVD Nero lucido
PVD Bright black | <input type="checkbox"/> 9 Oro anodizzato
Anodized gold |
| <input checked="" type="checkbox"/> T Cromo satinato
Satin chrome | <input type="checkbox"/> T8 PVD Nero antracite
PVD Satin black | <input checked="" type="checkbox"/> 2 PVD Ottone
PVD Brass |
| <input type="checkbox"/> 6 Argento anodizzato
Anodized silver | <input checked="" type="checkbox"/> B Bronzo
Bronze | <input type="checkbox"/> L Ottone lucido
Bright brass |
| <input type="checkbox"/> IT Inox satinato
Satin stainless steel | <input type="checkbox"/> BS Bronzo satinato
Satin bronze | <input type="checkbox"/> TT Ottone satinato
Satin brass |



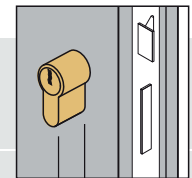


MG110R..W



- | | | |
|--|--|---|
| <input type="checkbox"/> W Bianco RAL 9010
White RAL 9010 | <input type="checkbox"/> N Nero
Black | <input type="checkbox"/> A Champagne anodizzato
Anodized champagne |
| <input checked="" type="checkbox"/> C Cromo lucido
Bright chrome | <input type="checkbox"/> 8 PVD Nero lucido
PVD Bright black | <input type="checkbox"/> 9 Oro anodizzato
Anodized gold |
| <input checked="" type="checkbox"/> T Cromo satinato
Satin chrome | <input type="checkbox"/> T8 PVD Nero antracite
PVD Satin black | <input checked="" type="checkbox"/> 2 PVD Ottone
PVD Brass |
| <input type="checkbox"/> 6 Argento anodizzato
Anodized silver | <input type="checkbox"/> B Bronzo
Bronze | <input type="checkbox"/> L Ottone lucido
Bright brass |
| <input type="checkbox"/> IT Inox satinato
Satin stainless steel | <input checked="" type="checkbox"/> BS Bronzo satinato
Satin bronze | <input type="checkbox"/> TT Ottone satinato
Satin brass |

Spessori disponibili:
Available spacers:
3mm



Max.mm 12



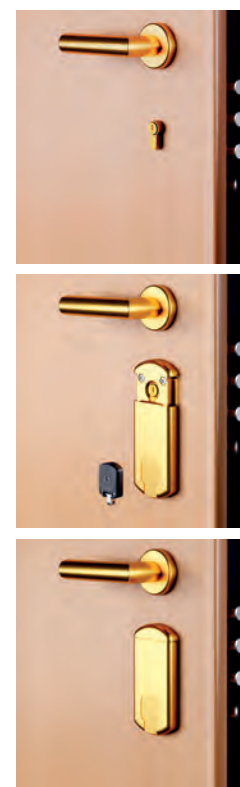
MG310..WZ
MG3105WZ (HIGH SECURITY)

KT087

KEY CAP

A2086

122x42x7H

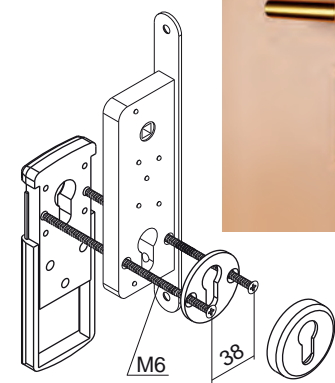


MG310..WR
MG3105WR (HIGH SECURITY)

KT029

KEY CAP

KT029 (H11)
KT038 (H5)



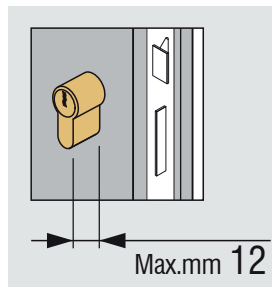
MG310..W
MG3105W (HIGH SECURITY)

M6

KEY CAP

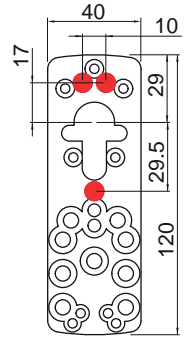
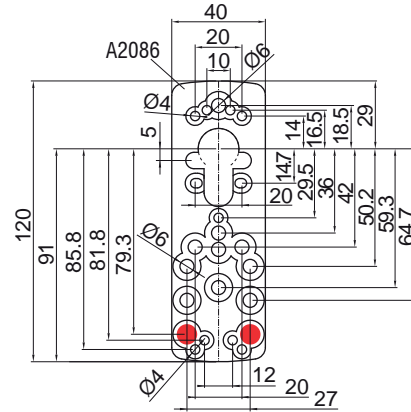
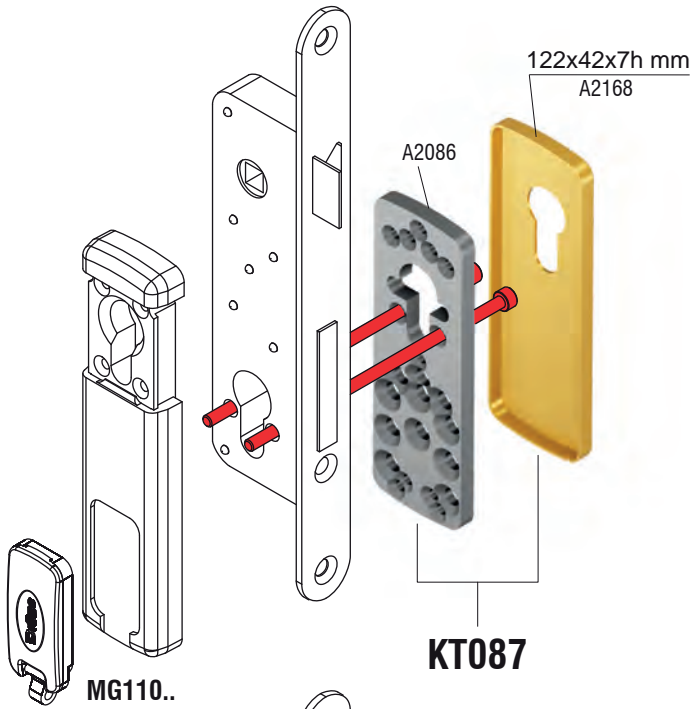
- C Cromo lucido
Bright chrome
- T Cromo satinato
Satin chrome
- B Bronzo
Bronze
- 2 PVD Ottone
PVD Brass
- BS Bronzo satinato
Satin bronze

Spessori disponibili:
Available spacers:
3mm

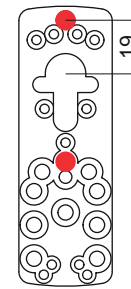




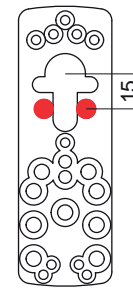
PAT. PEND.



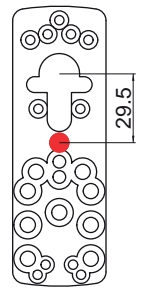
X TESA



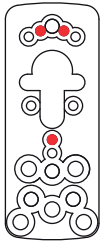
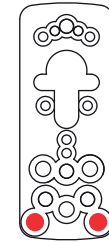
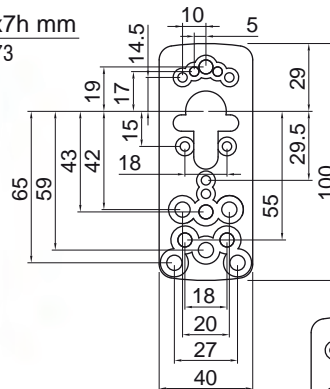
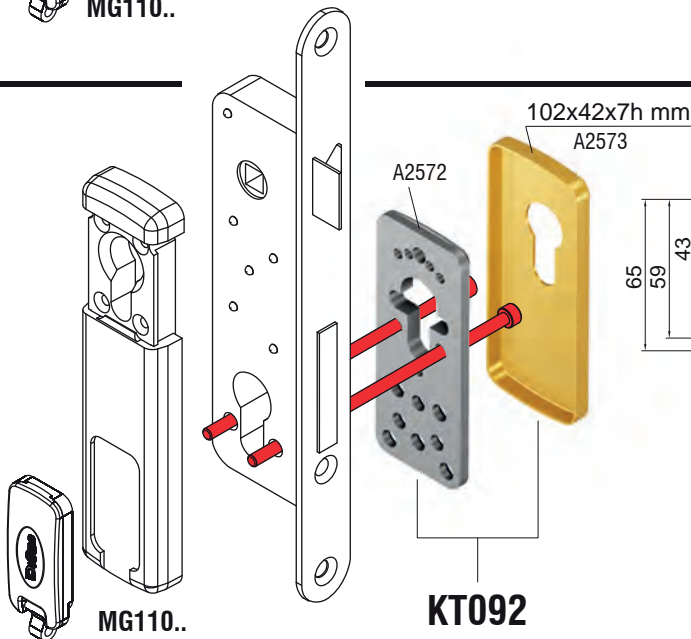
X ISEO
MULTIBLINDO



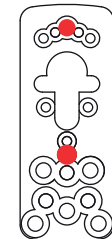
X ASSA ABLOY
DIN 18250
X ADAMS RITE



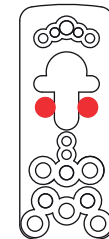
X CISA
serie 16/46



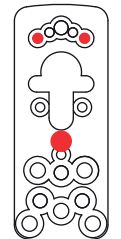
X TESA



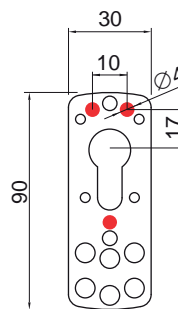
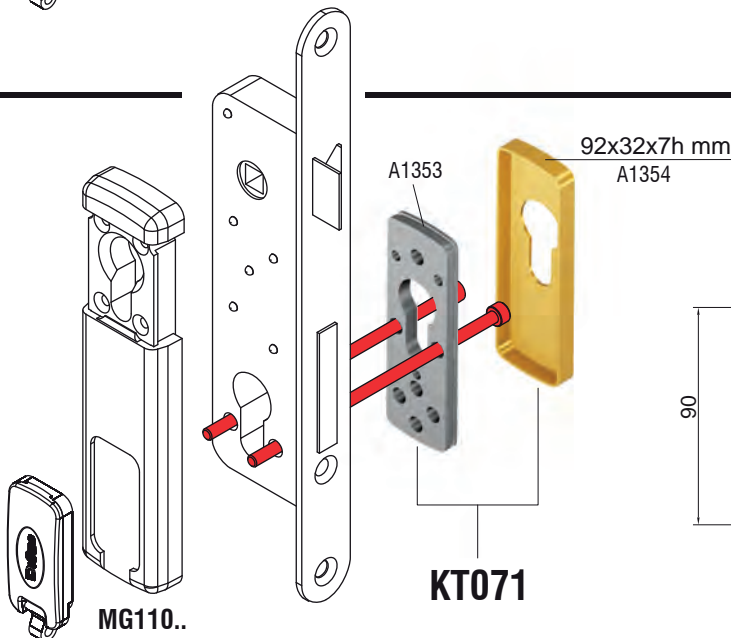
X ISEO
MULTIBLINDO



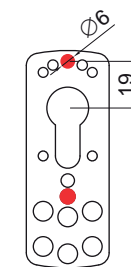
X ASSA ABLOY
DIN 18250
X ADAMS RITE



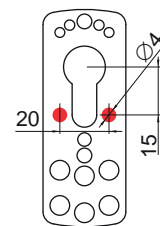
X CISA
serie 16/46



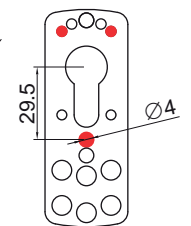
X TESA



X ISEO
MULTIBLINDO



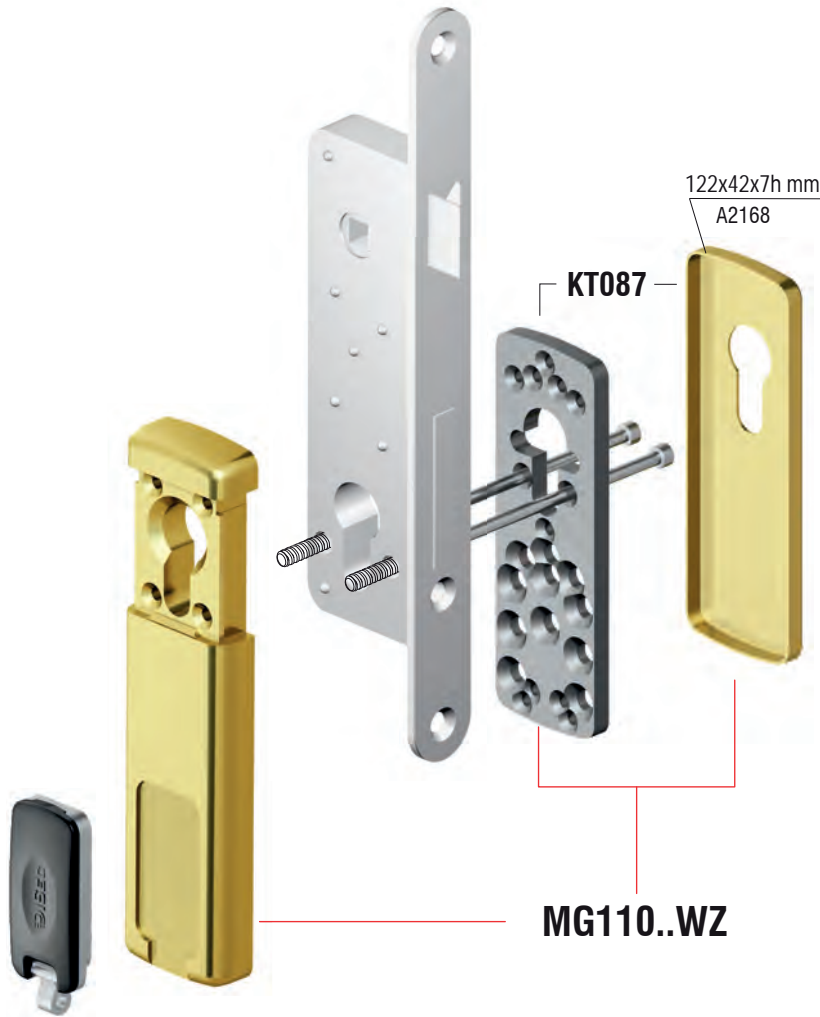
X ASSA ABLOY
DIN 18250
X ADAMS RITE



X CISA
serie 16/46



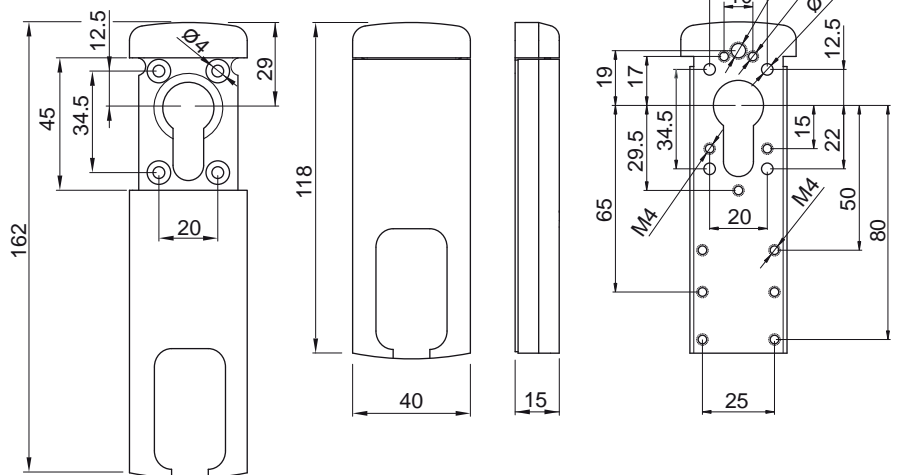
PAT. PEND.



MG110..WZ



MG110..W

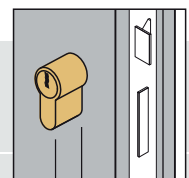


- W Bianco RAL 9010
White RAL 9010
- C Cromo lucido
Bright chrome
- T Cromo satinato
Satin chrome
- 6 Argento anodizzato
Anodized silver
- IT Inox satinato
Satin stainless steel

- N Nero
Black
- 8 PVD Nero lucido
PVD Bright black
- T8 PVD Nero antracite
PVD Satin black
- B Bronzo
Bronze
- BS Bronzo satinato
Satin bronze

- A Champagne anodizzato
Anodized champagne
- 9 Oro anodizzato
Anodized gold
- 2 PVD Ottone
PVD Brass
- L Ottone lucido
Bright brass
- TT Ottone satinato
Satin brass

Spessori disponibili:
Available spacers:
2mm

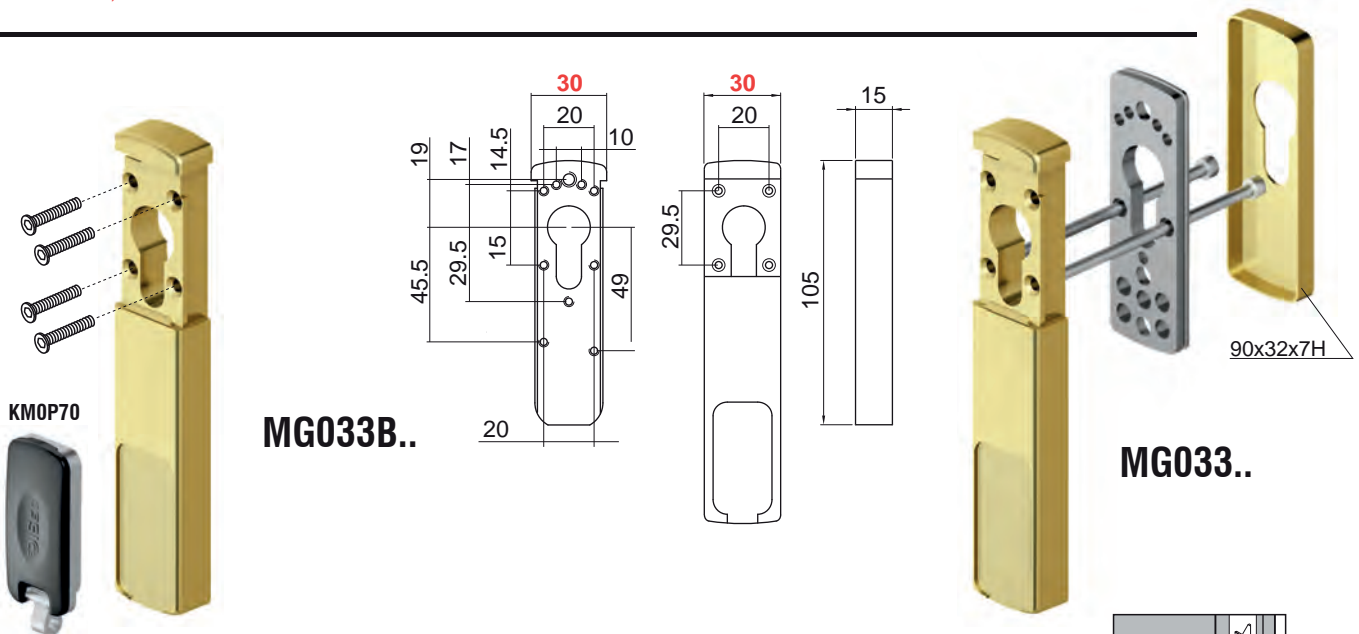
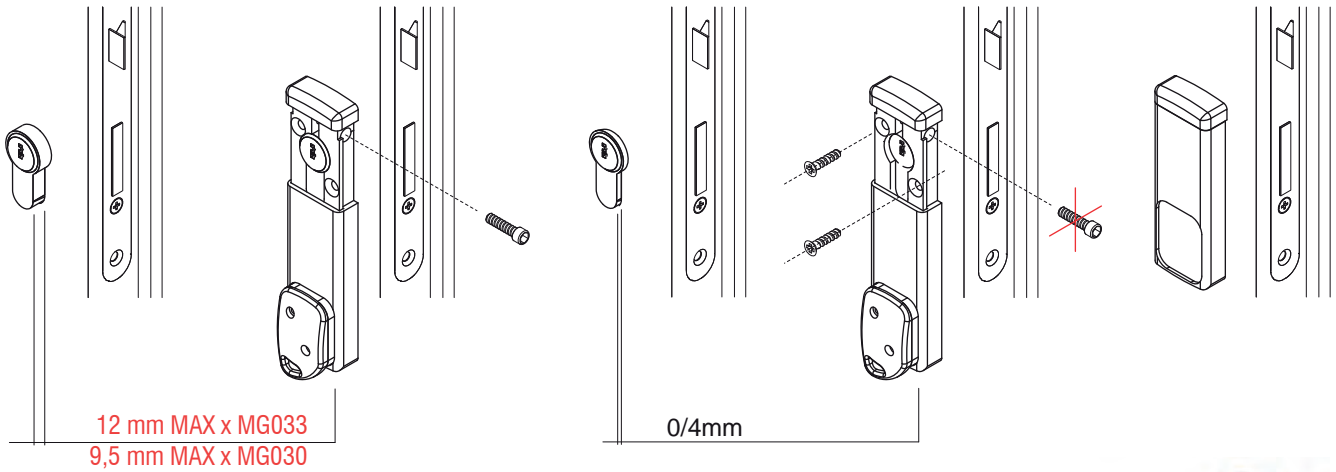
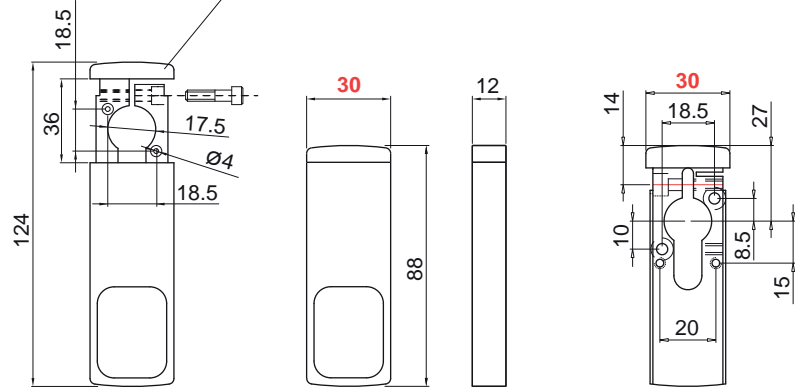


Max.mm 12



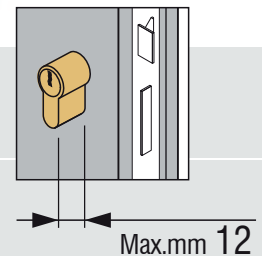
PAT. PEND.

2 sistemi di fissaggio / 2 fixing methods



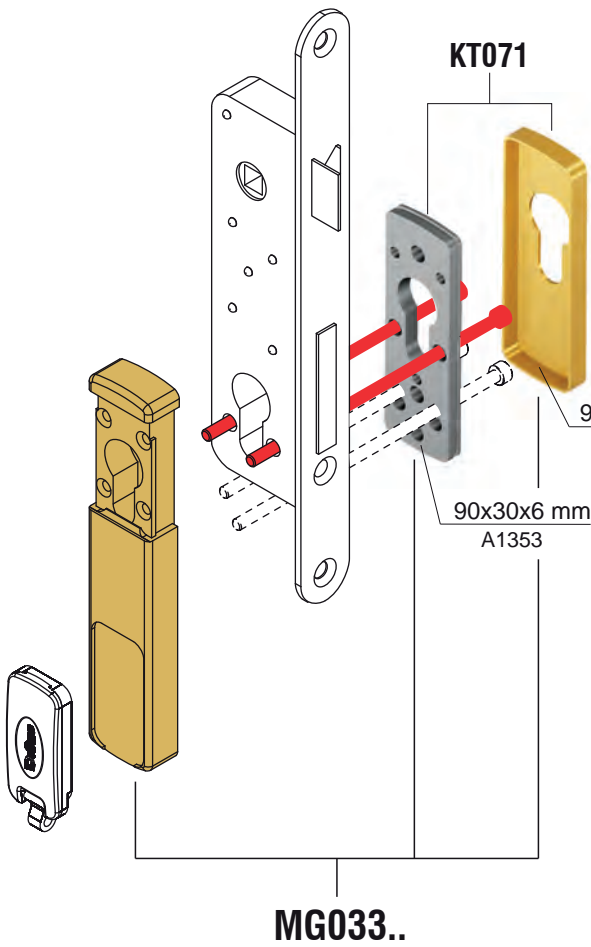
- | | | |
|--|---|---|
| <input type="checkbox"/> W Bianco RAL 9010
White RAL 9010 | <input checked="" type="checkbox"/> N Nero
Black | <input type="checkbox"/> A Champagne anodizzato
Anodized champagne |
| <input checked="" type="checkbox"/> C Cromo lucido
Bright chrome | <input type="checkbox"/> 8 PVD Nero lucido
PVD Bright black | <input type="checkbox"/> 9 Oro anodizzato
Anodized gold |
| <input checked="" type="checkbox"/> T Cromo satinato
Satin chrome | <input type="checkbox"/> T8 PVD Nero antracite
PVD Satin black | <input checked="" type="checkbox"/> 2 PVD Ottone
PVD Brass |
| <input type="checkbox"/> 6 Argento anodizzato
Anodized silver | <input checked="" type="checkbox"/> B Bronzo
Bronze | <input type="checkbox"/> L Ottone lucido
Bright brass |
| <input type="checkbox"/> IT Inox satinato
Satin stainless steel | <input type="checkbox"/> BS Bronzo satinato
Satin bronze | <input type="checkbox"/> TT Ottone satinato
Satin brass |

Spessori disponibili:
Available spacers:
3mm

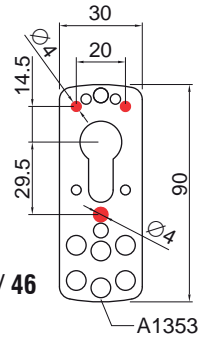




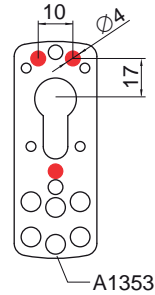
PAT. PEND.



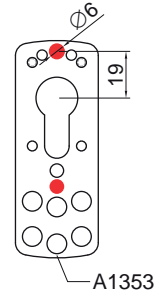
MG033
X CISA serie 16 / 46



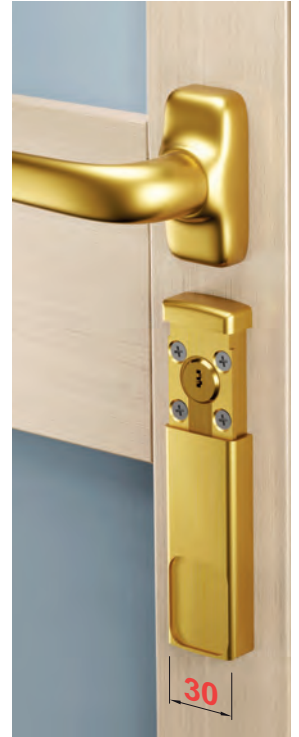
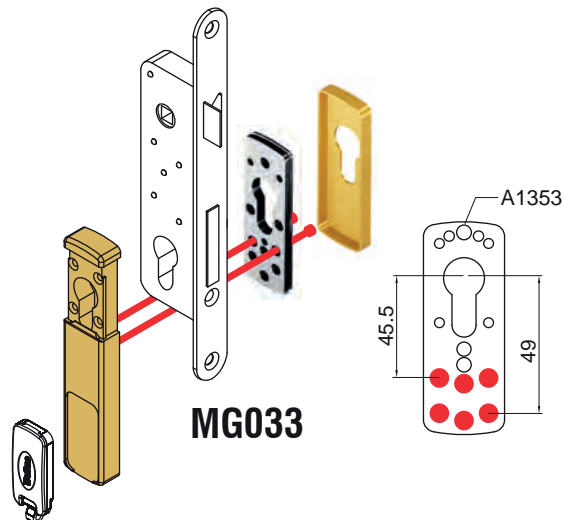
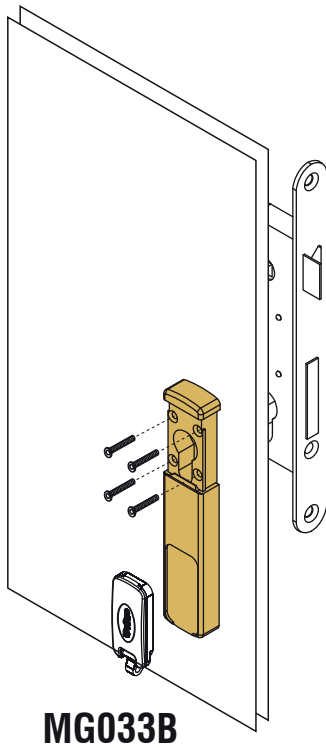
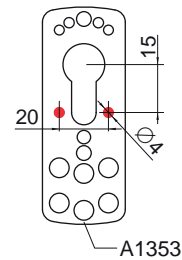
MG033
X TESA



MG033
X ISEO - MULTIBLINDO

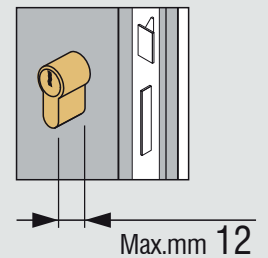


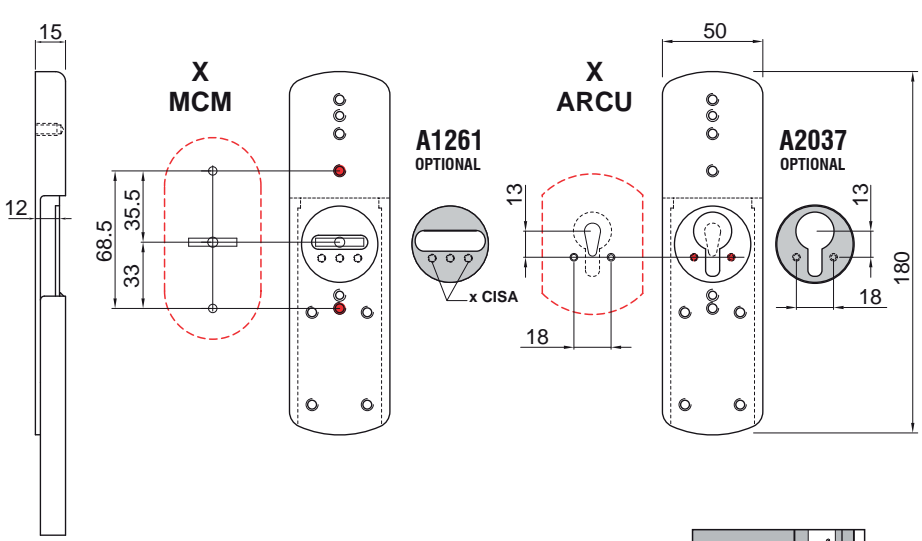
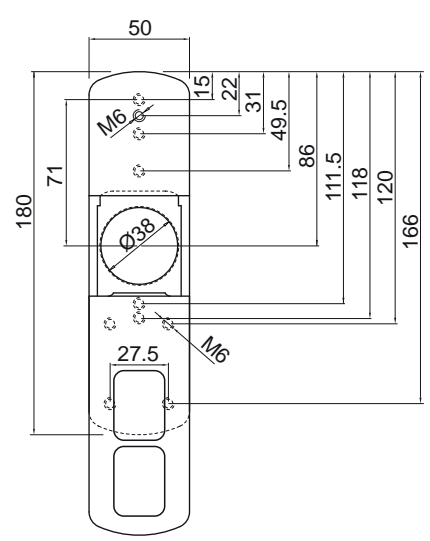
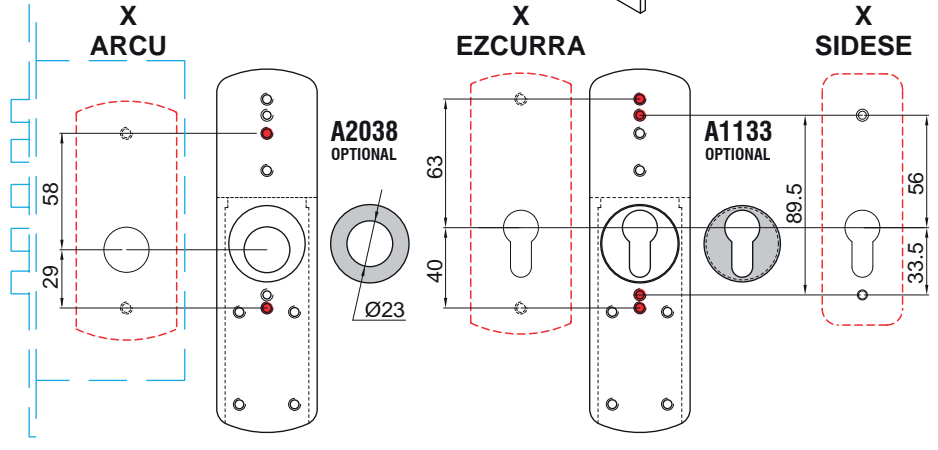
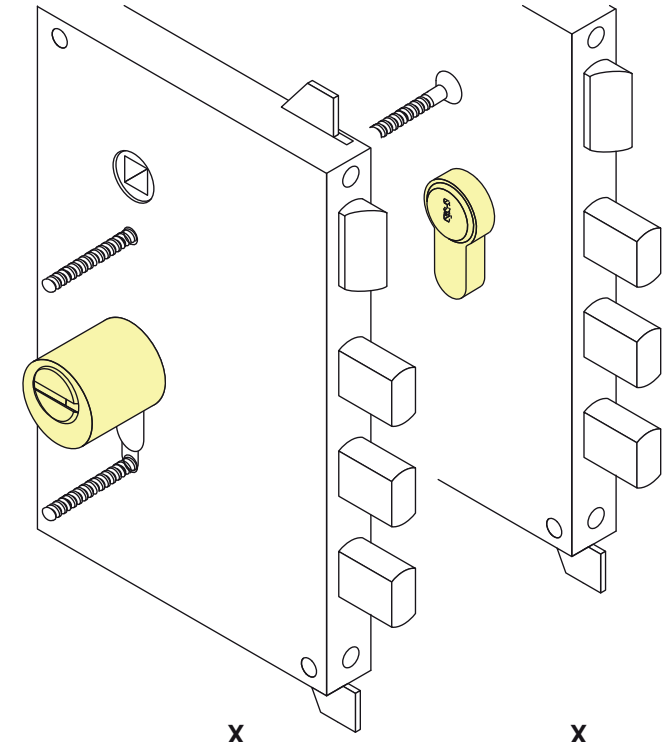
MG033
X ASSA ABLOY
DIN 18250
X ADAMS RITE



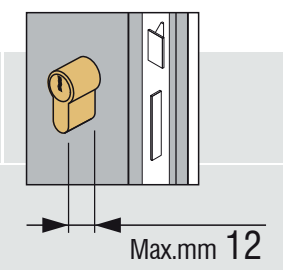
- | | | |
|-------------------------------------|------|--|
| <input type="checkbox"/> | (W) | Bianco RAL 9010
White RAL 9010 |
| <input checked="" type="checkbox"/> | (C) | Cromo lucido
Bright chrome |
| <input checked="" type="checkbox"/> | (T) | Cromo satinato
Satin chrome |
| <input type="checkbox"/> | (6) | Argento anodizzato
Anodized silver |
| <input type="checkbox"/> | (IT) | Inox satinato
Satin stainless steel |
| <input checked="" type="checkbox"/> | (N) | Nero
Black |
| <input type="checkbox"/> | (8) | PVD Nero lucido
PVD Bright black |
| <input type="checkbox"/> | (T8) | PVD Nero antracite
PVD Satin black |
| <input checked="" type="checkbox"/> | (B) | Bronzo
Bronze |
| <input type="checkbox"/> | (BS) | Bronzo satinato
Satin bronze |
| <input type="checkbox"/> | (A) | Champagne anodizzato
Anodized champagne |
| <input type="checkbox"/> | (9) | Oro anodizzato
Anodized gold |
| <input checked="" type="checkbox"/> | (2) | PVD Ottone
PVD Brass |
| <input type="checkbox"/> | (L) | Ottone lucido
Bright brass |
| <input type="checkbox"/> | (TT) | Ottone satinato
Satin brass |

Spessori disponibili:
Available spacers:
3mm



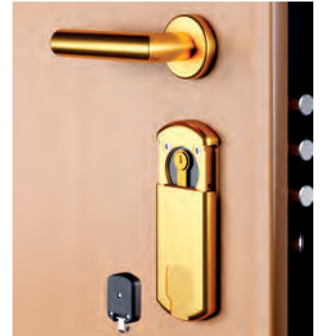
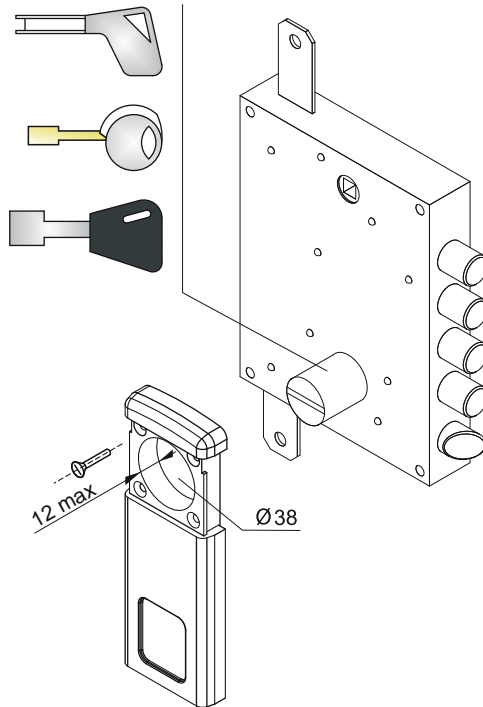
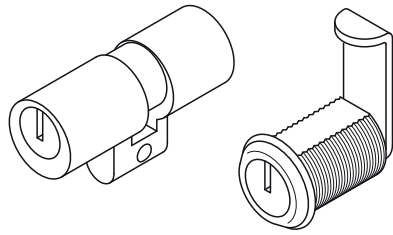


- | | | |
|--|---|---|
| <input type="checkbox"/> W Bianco RAL 9010
White RAL 9010 | <input type="checkbox"/> N Nero
Black | <input type="checkbox"/> A Champagne anodizzato
Anodized champagne |
| <input type="checkbox"/> C Cromo lucido
Bright chrome | <input type="checkbox"/> 8 PVD Nero lucido
PVD Bright black | <input type="checkbox"/> 9 Oro anodizzato
Anodized gold |
| <input checked="" type="checkbox"/> T Cromo satinato
Satin chrome | <input type="checkbox"/> T8 PVD Nero antracite
PVD Satin black | <input checked="" type="checkbox"/> 2 PVD Ottone
PVD Brass |
| <input type="checkbox"/> 6 Argento anodizzato
Anodized silver | <input type="checkbox"/> B Bronzo
Bronze | <input type="checkbox"/> L Ottone lucido
Bright brass |
| <input type="checkbox"/> IT Inox satinato
Satin stainless steel | <input type="checkbox"/> BS Bronzo satinato
Satin bronze | <input type="checkbox"/> TT Ottone satinato
Satin brass |



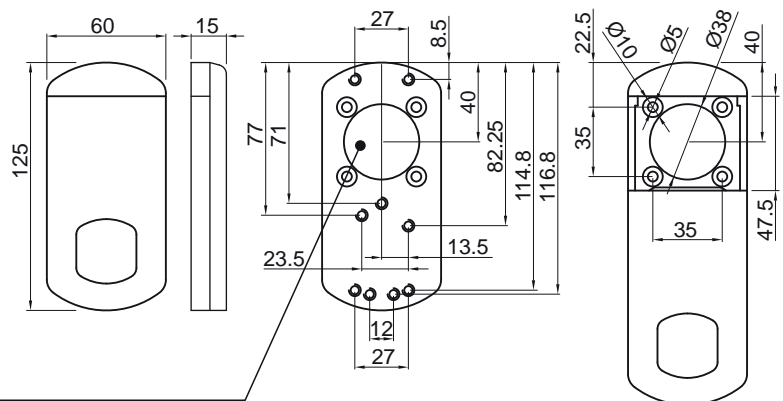
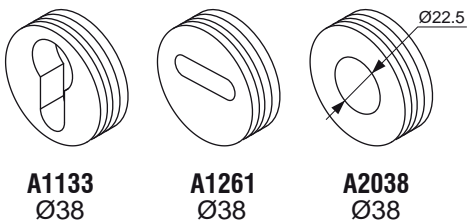


VIDEO:

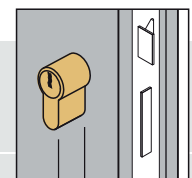


MG410..W
MG4105W
(HIGH SECURITY)

OPTIONAL SET ADATTATORI



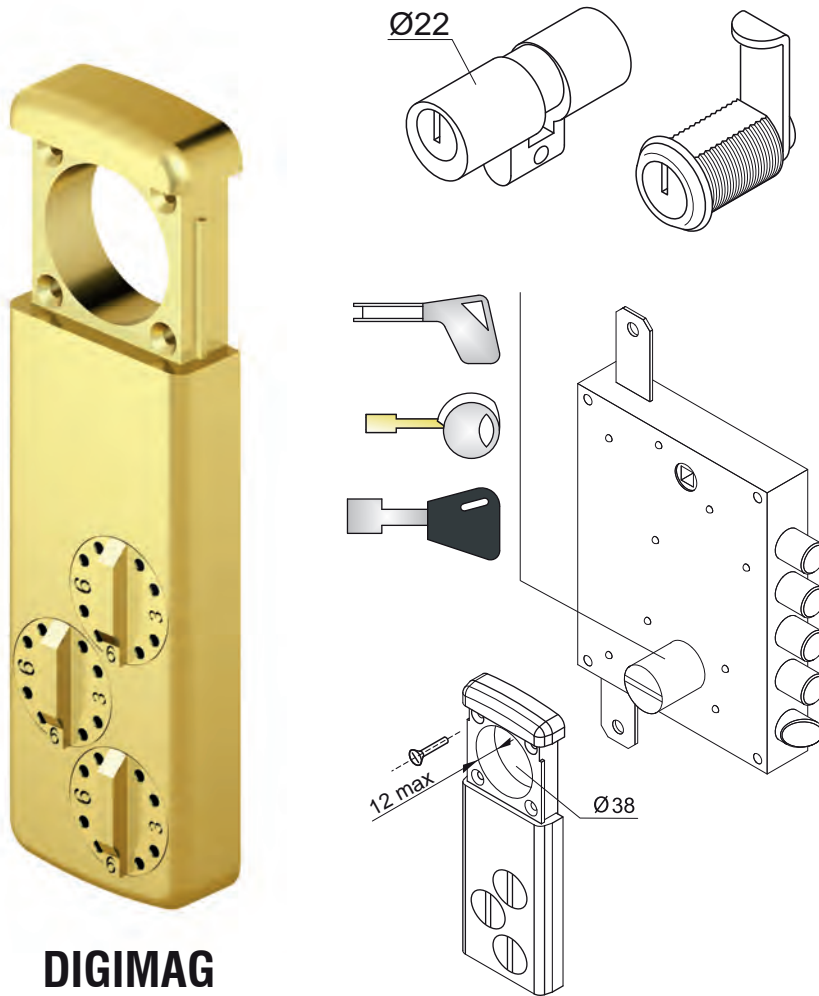
- | | | |
|--|--|---|
| <input type="checkbox"/> W Bianco RAL 9010
White RAL 9010 | <input type="checkbox"/> N Nero
Black | <input type="checkbox"/> A Champagne anodizzato
Anodized champagne |
| <input checked="" type="checkbox"/> C Cromo lucido
Bright chrome | <input type="checkbox"/> 8 PVD Nero lucido
PVD Bright black | <input type="checkbox"/> 9 Oro anodizzato
Anodized gold |
| <input checked="" type="checkbox"/> T Cromo satinato
Satin chrome | <input type="checkbox"/> T8 PVD Nero antracite
PVD Satin black | <input checked="" type="checkbox"/> 2 PVD Ottone
PVD Brass |
| <input type="checkbox"/> 6 Argento anodizzato
Anodized silver | <input checked="" type="checkbox"/> B Bronzo
Bronze | <input type="checkbox"/> L Ottone lucido
Bright brass |
| <input type="checkbox"/> IT Inox satinato
Satin stainless steel | <input checked="" type="checkbox"/> BS Bronzo satinato
Satin bronze | <input type="checkbox"/> TT Ottone satinato
Satin brass |



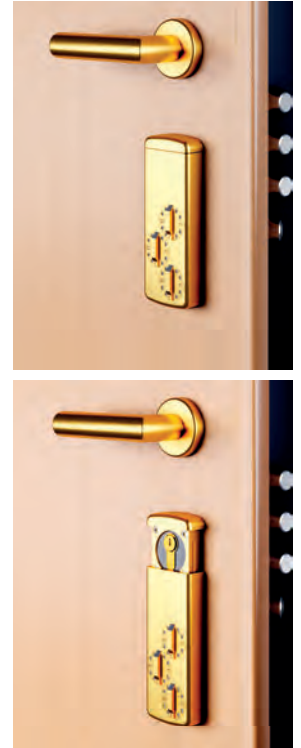
Max.mm 12



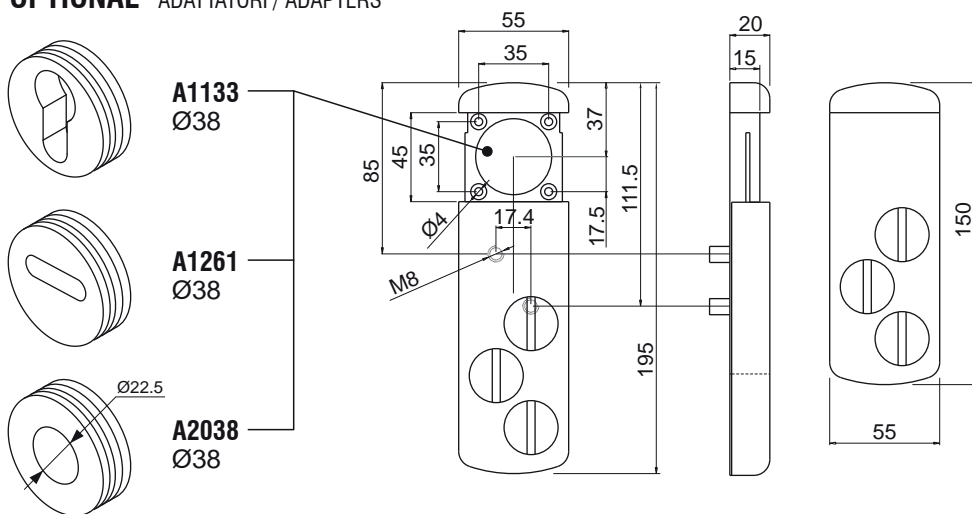
PAT. PEND.



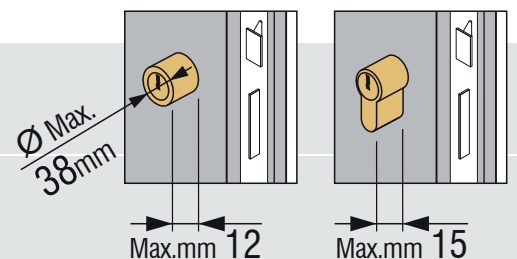
DIGIMAG



OPTIONAL ADATTATORI / ADAPTERS



- | | | |
|--|---|---|
| <input type="checkbox"/> W Bianco RAL 9010
White RAL 9010 | <input type="checkbox"/> N Nero
Black | <input type="checkbox"/> A Champagne anodizzato
Anodized champagne |
| <input type="checkbox"/> C Cromo lucido
Bright chrome | <input type="checkbox"/> 8 PVD Nero lucido
PVD Bright black | <input type="checkbox"/> 9 Oro anodizzato
Anodized gold |
| <input checked="" type="checkbox"/> T Cromo satinato
Satin chrome | <input type="checkbox"/> T8 PVD Nero antracite
PVD Satin black | <input checked="" type="checkbox"/> 2 PVD Ottone
Bright Brass |
| <input type="checkbox"/> 6 Argento anodizzato
Anodized silver | <input type="checkbox"/> B Bronzo
Bronze | <input type="checkbox"/> L Ottone lucido
Bright brass |
| <input type="checkbox"/> IT Inox satinato
Satin stainless steel | <input type="checkbox"/> BS Bronzo satinato
Satin bronze | <input type="checkbox"/> TT Ottone satinato
Satin brass |

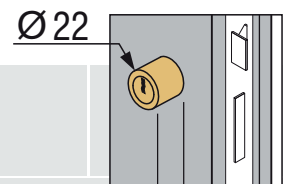
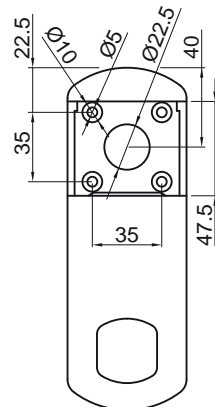
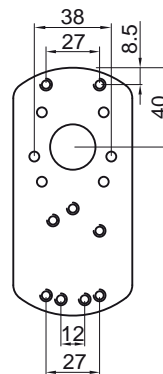
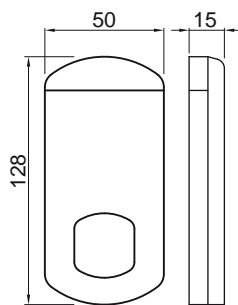
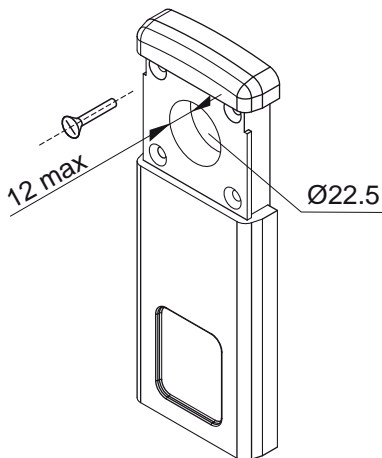
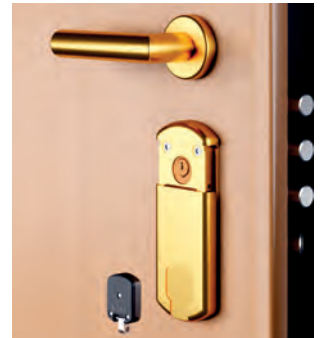
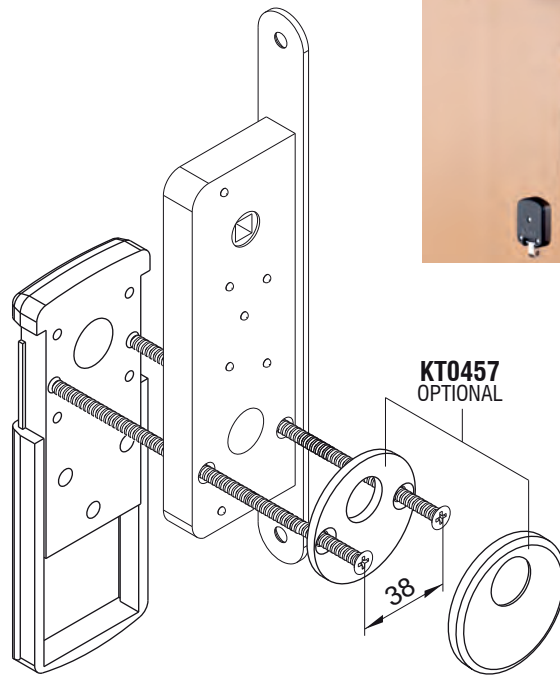
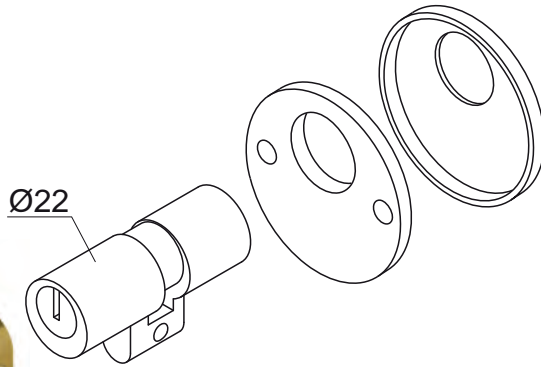




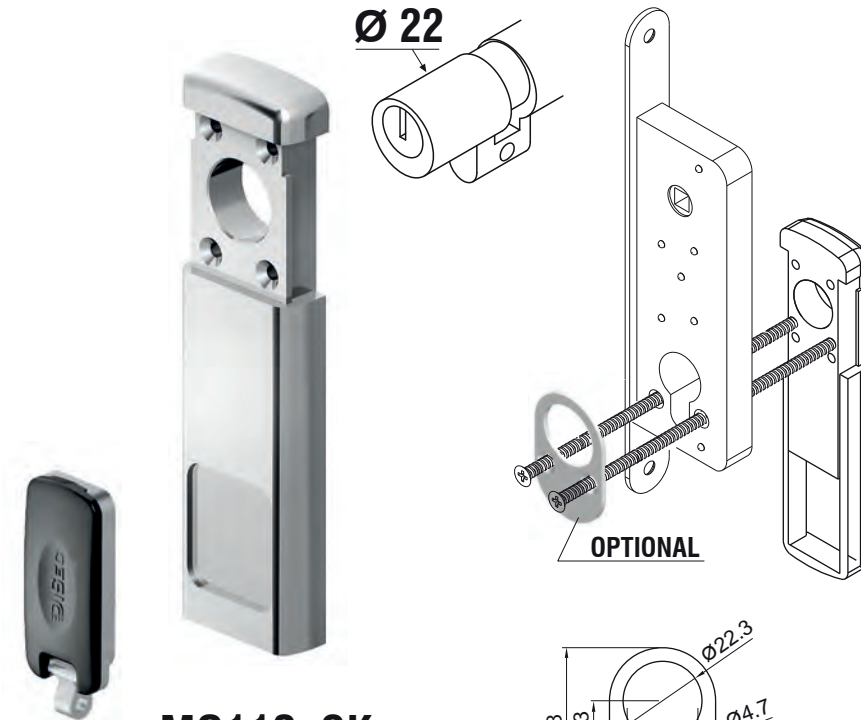
VIDEO:



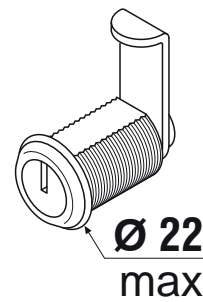
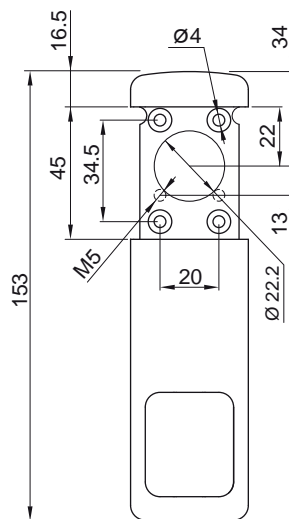
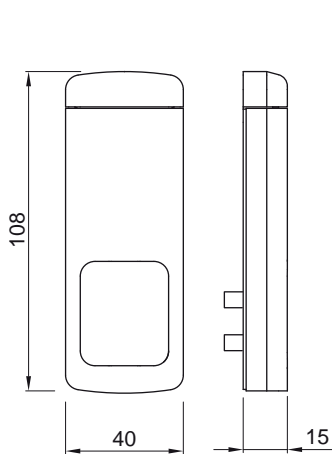
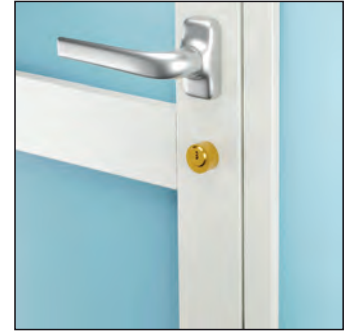
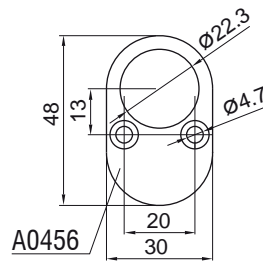
MG422..



- | | | | | | |
|---------------------------------------|--|---------------------------------------|---------------------------------------|---------------------------------------|--|
| <input type="checkbox"/> W | Bianco RAL 9010
White RAL 9010 | <input type="checkbox"/> N | Nero
Black | <input type="checkbox"/> A | Champagne anodizzato
Anodized champagne |
| <input checked="" type="checkbox"/> C | Cromo lucido
Bright chrome | <input type="checkbox"/> 8 | PVD Nero lucido
PVD Bright black | <input type="checkbox"/> 9 | Oro anodizzato
Anodized gold |
| <input checked="" type="checkbox"/> T | Cromo satinato
Satin chrome | <input type="checkbox"/> T8 | PVD Nero antracite
PVD Satin black | <input checked="" type="checkbox"/> 2 | PVD Ottone
PVD Brass |
| <input type="checkbox"/> 6 | Argento anodizzato
Anodized silver | <input checked="" type="checkbox"/> B | Bronzo
Bronze | <input type="checkbox"/> L | Ottone lucido
Bright brass |
| <input type="checkbox"/> IT | Inox satinato
Satin stainless steel | <input type="checkbox"/> BS | Bronzo satinato
Satin bronze | <input type="checkbox"/> TT | Ottone satinato
Satin brass |

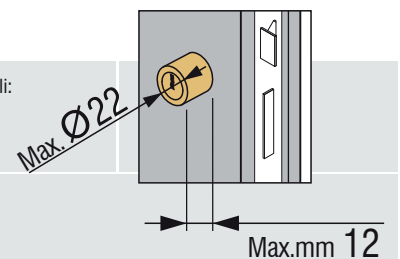


MG112..SK



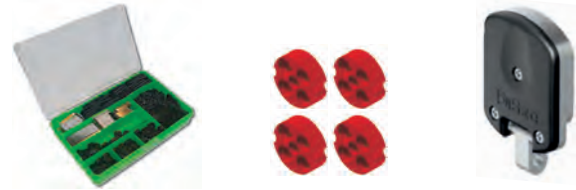
- | | | |
|--|---|---|
| <input type="checkbox"/> W Bianco RAL 9010
White RAL 9010 | <input type="checkbox"/> N Nero
Black | <input type="checkbox"/> A Champagne anodizzato
Anodized champagne |
| <input checked="" type="checkbox"/> C Cromo lucido
Bright chrome | <input type="checkbox"/> 8 PVD Nero lucido
PVD Bright black | <input type="checkbox"/> 9 Oro anodizzato
Anodized gold |
| <input checked="" type="checkbox"/> T Cromo satinato
Satin chrome | <input type="checkbox"/> T8 PVD Nero antracite
PVD Satin black | <input checked="" type="checkbox"/> 2 PVD Ottone
PVD Brass |
| <input type="checkbox"/> 6 Argento anodizzato
Anodized silver | <input type="checkbox"/> B Bronzo
Bronze | <input type="checkbox"/> L Ottone lucido
Bright brass |
| <input type="checkbox"/> IT Inox satinato
Satin stainless steel | <input type="checkbox"/> BS Bronzo satinato
Satin bronze | <input type="checkbox"/> TT Ottone satinato
Satin brass |

Spessori disponibili:
Available spacers:
3mm

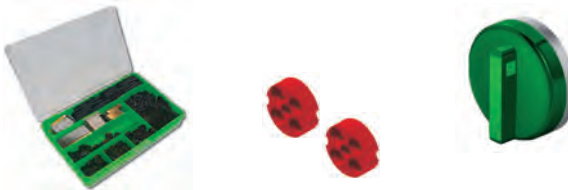




KTXP70 KIT 20 pz **KM0P70**
x MG 351 NEW / x 3W



KTXP55 KIT 20 pz **KM0P55**
x MG3551



KTXP42 KIT 20 pz **KM0P42**
x MAG ROUND (MRM29)



KM0023 KIT 20 pz **KM0027**



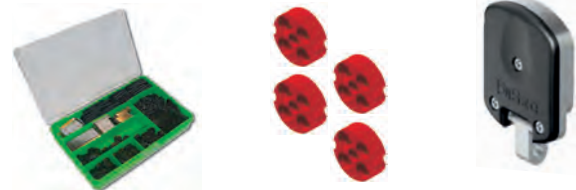
KTXP40 KIT 20 pz **KM0P40**
x MAG ROUND 128



KTXP46 KIT 20 pz **KM0P46**
x MAG ROUND (MRM23)



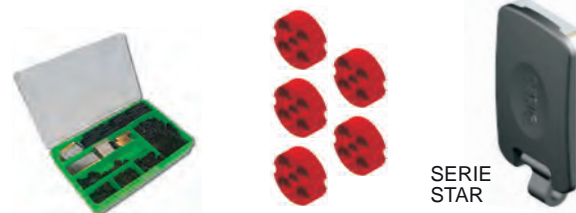
KTXP47 KIT 20 pz **KM0P47**
x MAG 4G



KTXP85 KIT 20 pz **KM0P85**
x 4W



KM0019 KIT 20 pz **KM0006**
x 2W



KTXP90 KIT 20 pz **KM0P90**
x 5W



KTXP3G

KIT 20 pz

KM0P3G
x 3W



KTXP86

KM0P86
x MG850 - FURGONI / VAN



KTXP20

KM0P20
x LUCCHETTI / PADLOCKS



KTXP51

KM0P60
x MR01DM



KTXP96

KM0P96
x MRM27



KTXP4GN

KM0P49
x 4GN



KTXP24

KM0P24
x MG610 SAFY



KTXP88

KM0P88
x MG013



KM0026

KM0025
x MG030



KTXP25

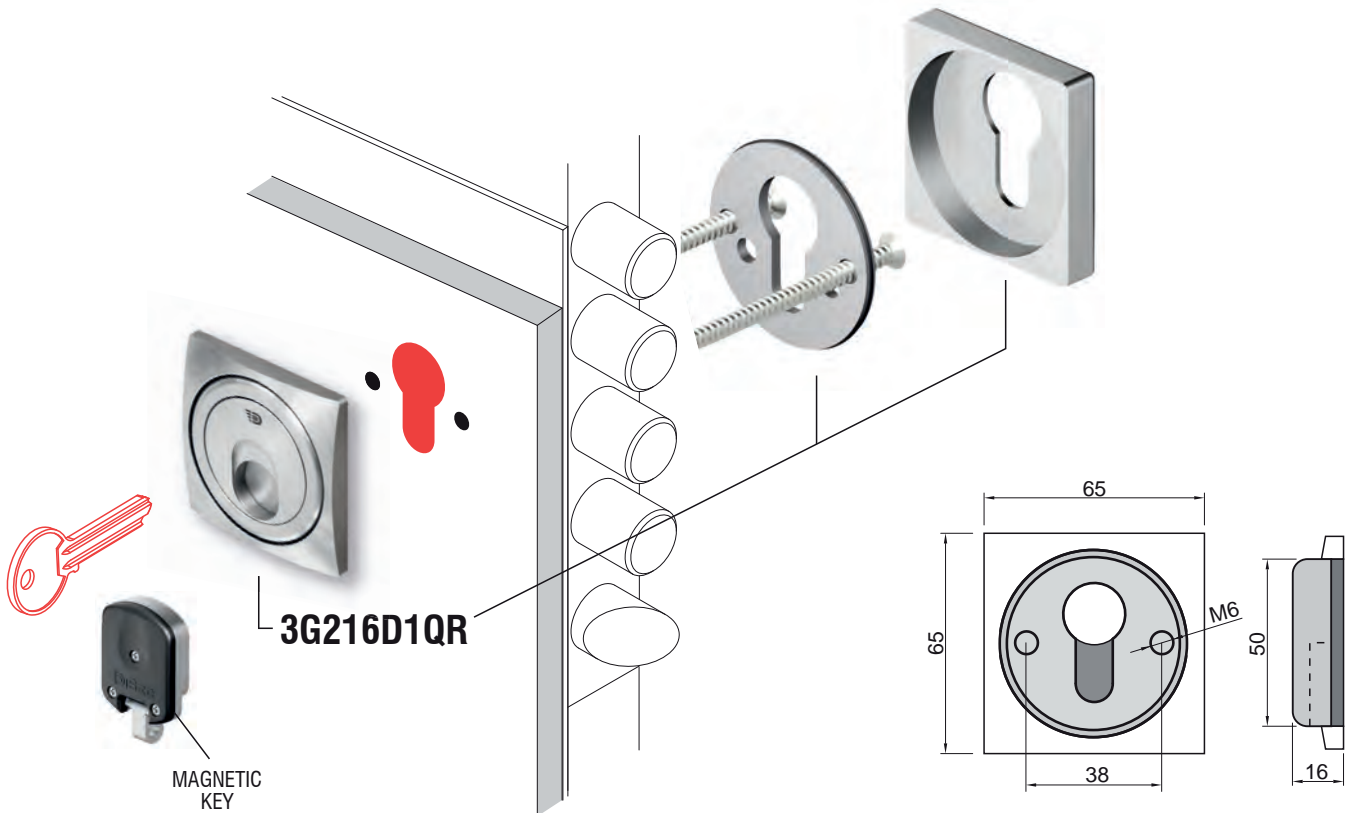
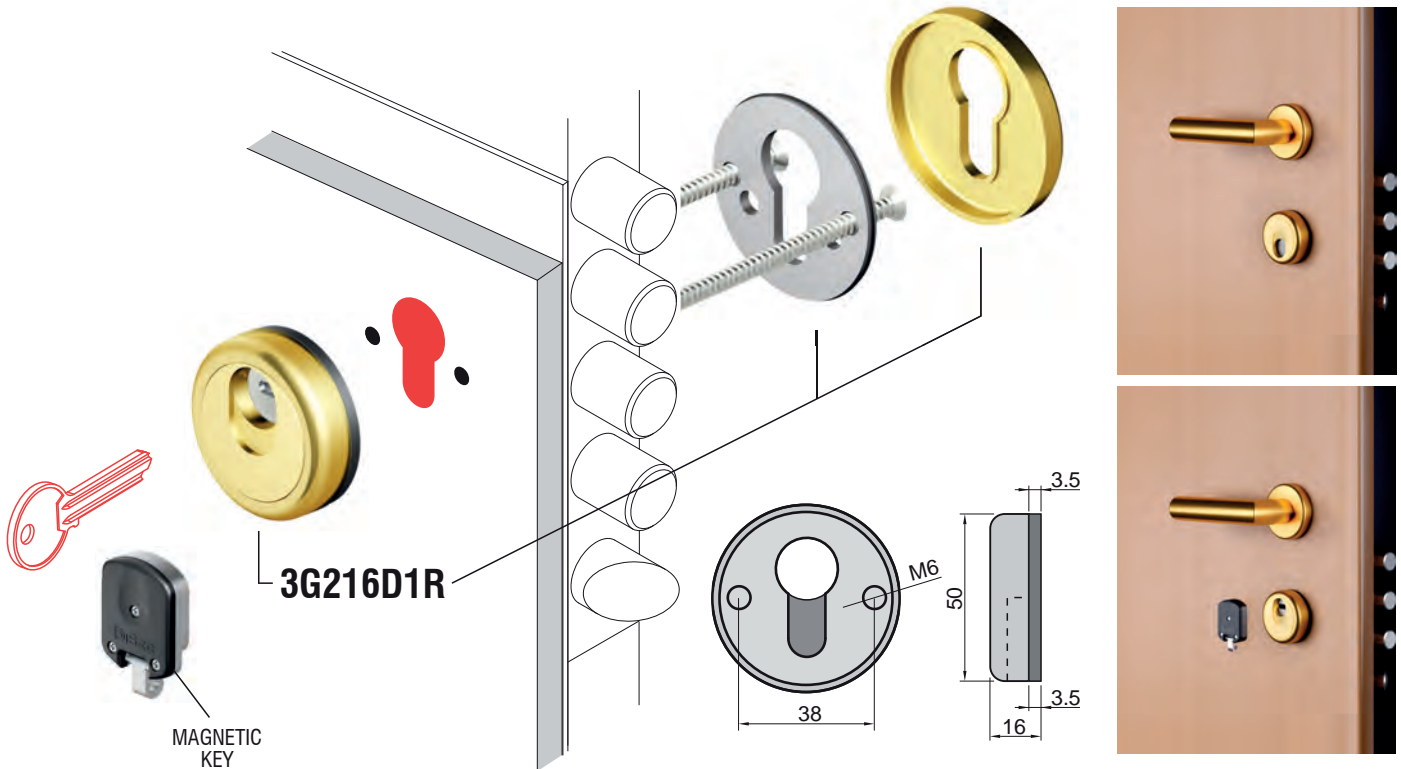
KM0P25
x MRM25



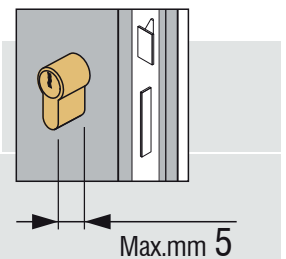
**PROTEZIONI
DA APPOGGIO**

*Surface mounted
guards*





- | | | | | | |
|---------------------------------------|--|-----------------------------|---------------------------------------|---------------------------------------|--|
| <input type="checkbox"/> W | Bianco RAL 9010
White RAL 9010 | <input type="checkbox"/> N | Nero
Black | <input type="checkbox"/> A | Champagne anodizzato
Anodized champagne |
| <input type="checkbox"/> C | Cromo lucido
Bright chrome | <input type="checkbox"/> 8 | PVD Nero lucido
PVD Bright black | <input type="checkbox"/> 9 | Oro anodizzato
Anodized gold |
| <input checked="" type="checkbox"/> T | Cromo satinato
Satin chrome | <input type="checkbox"/> T8 | PVD Nero antracite
PVD Satin black | <input checked="" type="checkbox"/> 2 | PVD Ottone
PVD Brass |
| <input type="checkbox"/> 6 | Argento anodizzato
Anodized silver | <input type="checkbox"/> B | Bronzo
Bronze | <input type="checkbox"/> L | Ottone lucido
Bright brass |
| <input type="checkbox"/> IT | Inox satinato
Satin stainless steel | <input type="checkbox"/> BS | Bronzo satinato
Satin bronze | <input type="checkbox"/> TT | Ottone satinato
Satin brass |



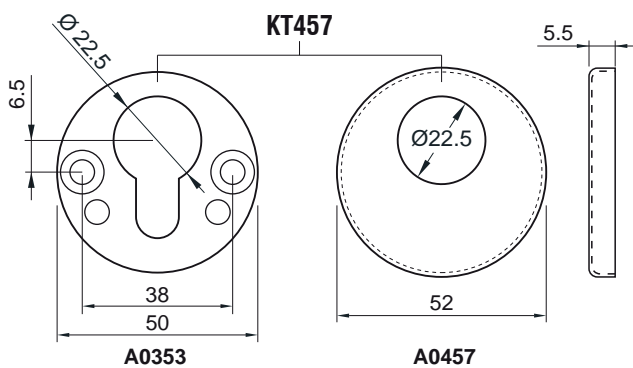
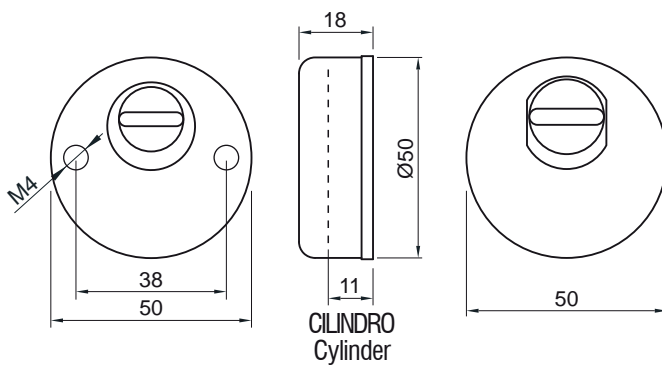
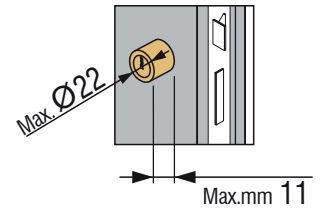
MRM27CHX

PAT. PEND.

- Ⓒ Cromo lucido
Bright Chrome
- Ⓓ Cromo satinato
Satin Chrome
- Ⓔ PVD Ottone
PVD Brass



VIDEO TEST



OPTIONAL



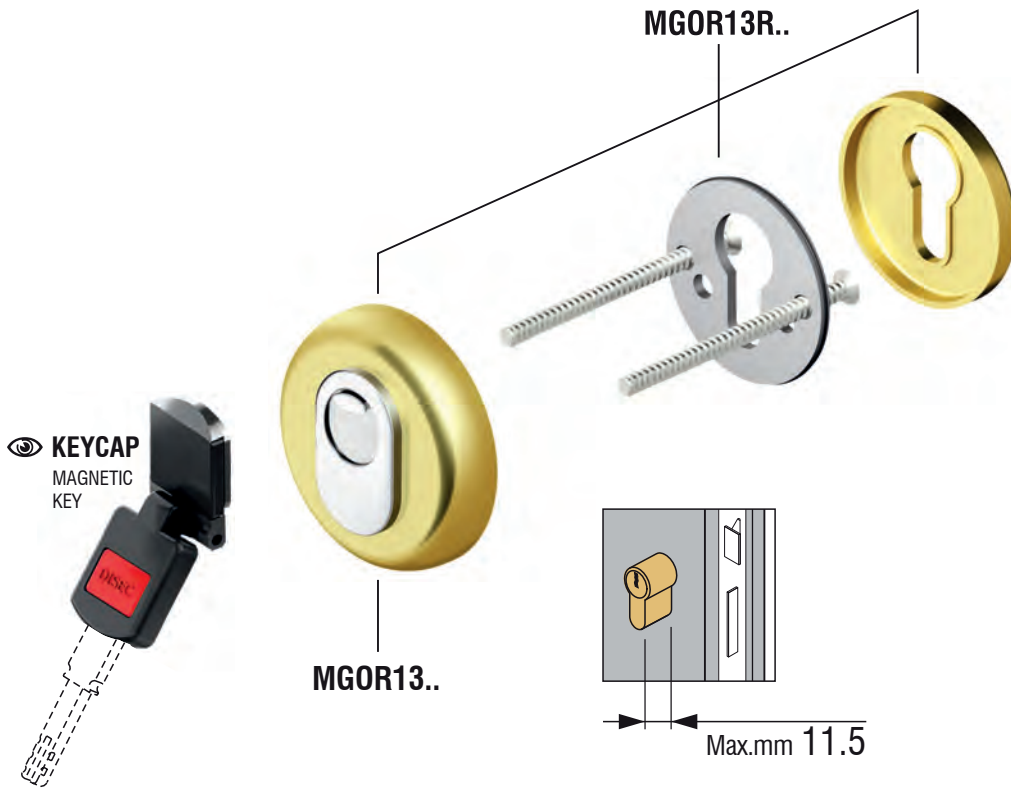
KT056 (Ø50)
65x85



KT3485 (Ø50)
64x84

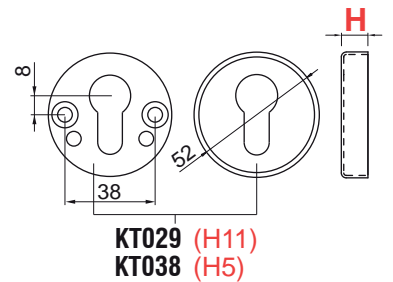
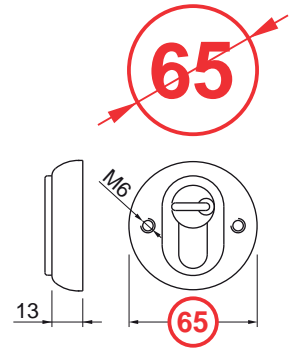
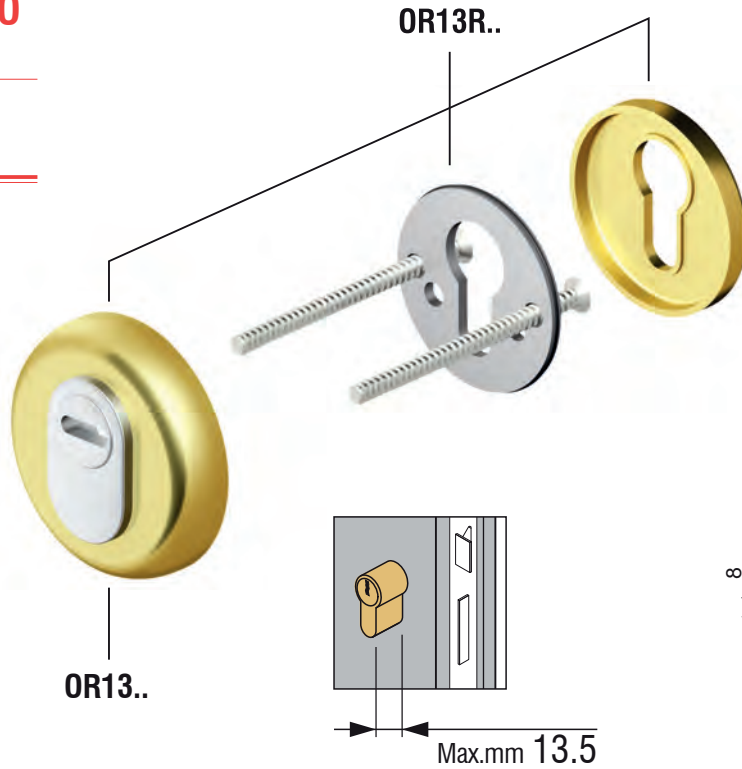


KT3794 (Ø50)
65x65



**CERTIFICATO
CLASSE 4**

**CERTIFIED
CLASS 4**



- W Bianco RAL 9010
White RAL 9010
- C Cromo lucido
Bright chrome
- T Cromo satinato
Satin chrome
- 6 Argento anodizzato
Anodized silver
- IT Inox satinato
Satin stainless steel

- N Nero
Black
- 8 PVD Nero lucido
PVD Bright black
- T8 PVD Nero antracite
PVD Satin black
- B Bronzo
Bronze
- BS Bronzo satinato
Satin bronze

- A Champagne anodizzato
Anodized champagne
- 9 Oro anodizzato
Anodized gold
- 2 PVD Ottone
PVD Brass
- L Ottone lucido
Bright brass
- TT Ottone satinato
Satin brass



KEYCAP
MAGNETIC
KEY



Max
11.5 mm



MGOR01..



OR01..



Max
13.5 mm



KEYCAP
MAGNETIC
KEY



Max
11.5 mm



MGOR02..

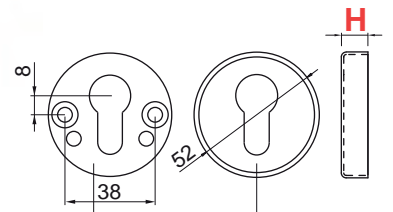
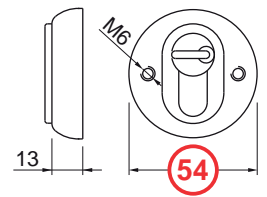


OR02..



Max
13.5 mm

54



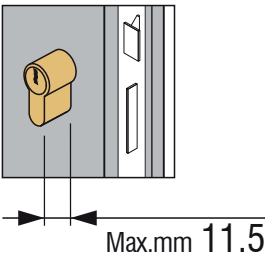
KT029 (H11)
KT038 (H5)

- W** Bianco RAL 9010
White RAL 9010
- C** Cromo lucido
Bright chrome
- T** Cromo satinato
Satin chrome
- 6** Argento anodizzato
Anodized silver
- IT** Inox satinato
Satin stainless steel

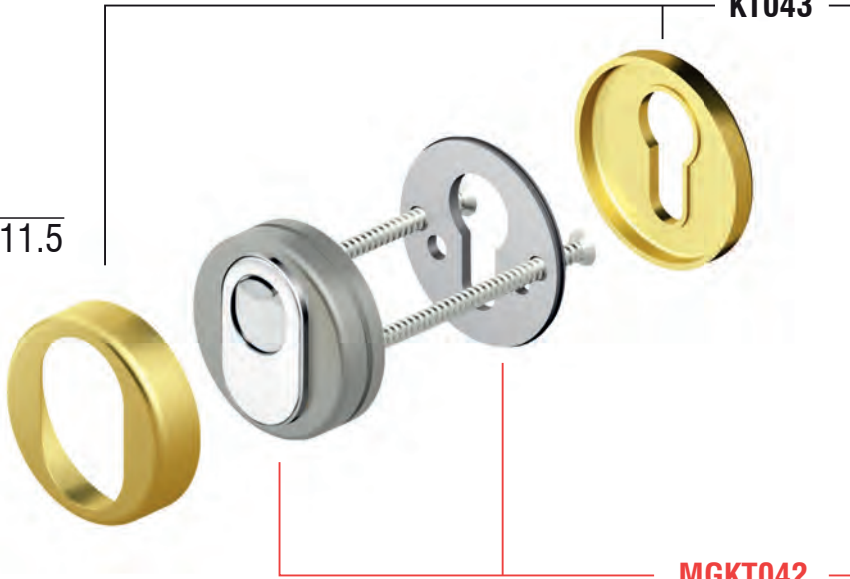
- N** Nero
Black
- 8** PVD Nero lucido
PVD Bright black
- T8** PVD Nero antracite
PVD Satin black
- B** Bronzo
Bronze
- BS** Bronzo satinato
Satin bronze

- A** Champagne anodizzato
Anodized champagne
- 9** Oro anodizzato
Anodized gold
- 2** PVD Ottone
PVD Brass
- L** Ottone lucido
Bright brass
- TT** Ottone satinato
Satin brass





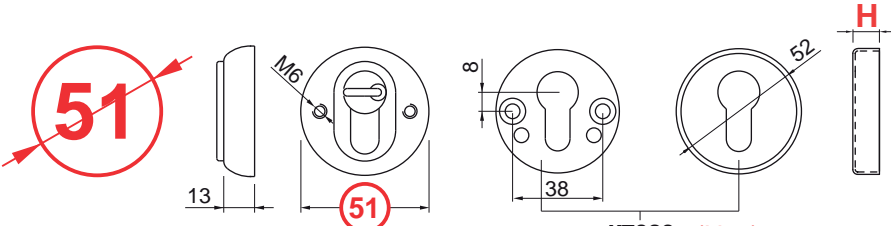
Max.mm 11.5



KT043

MGKT042

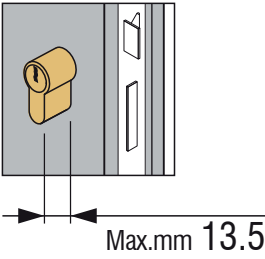
MGOR16..



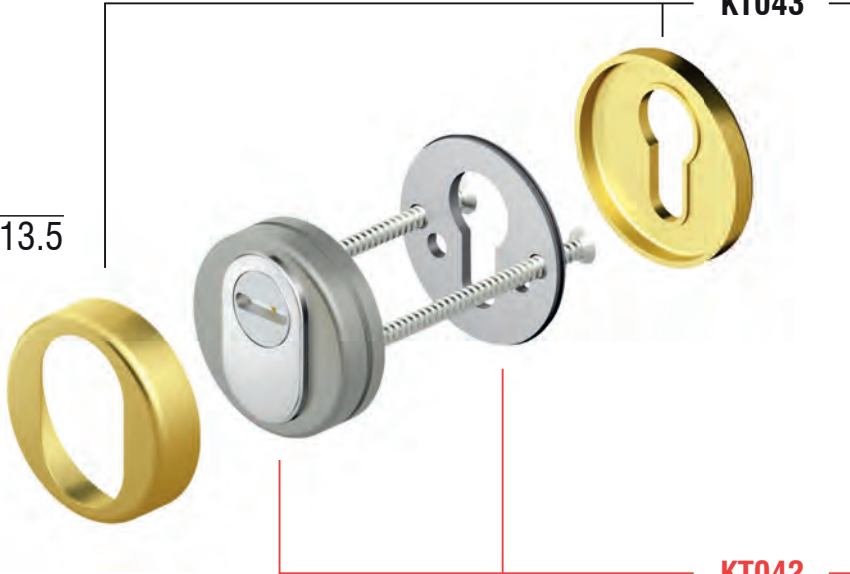
51

13 16 8 38 52 H

KT029 (H11)
KT038 (H5)




Max.mm 13.5



KT043

KT042

OR16..

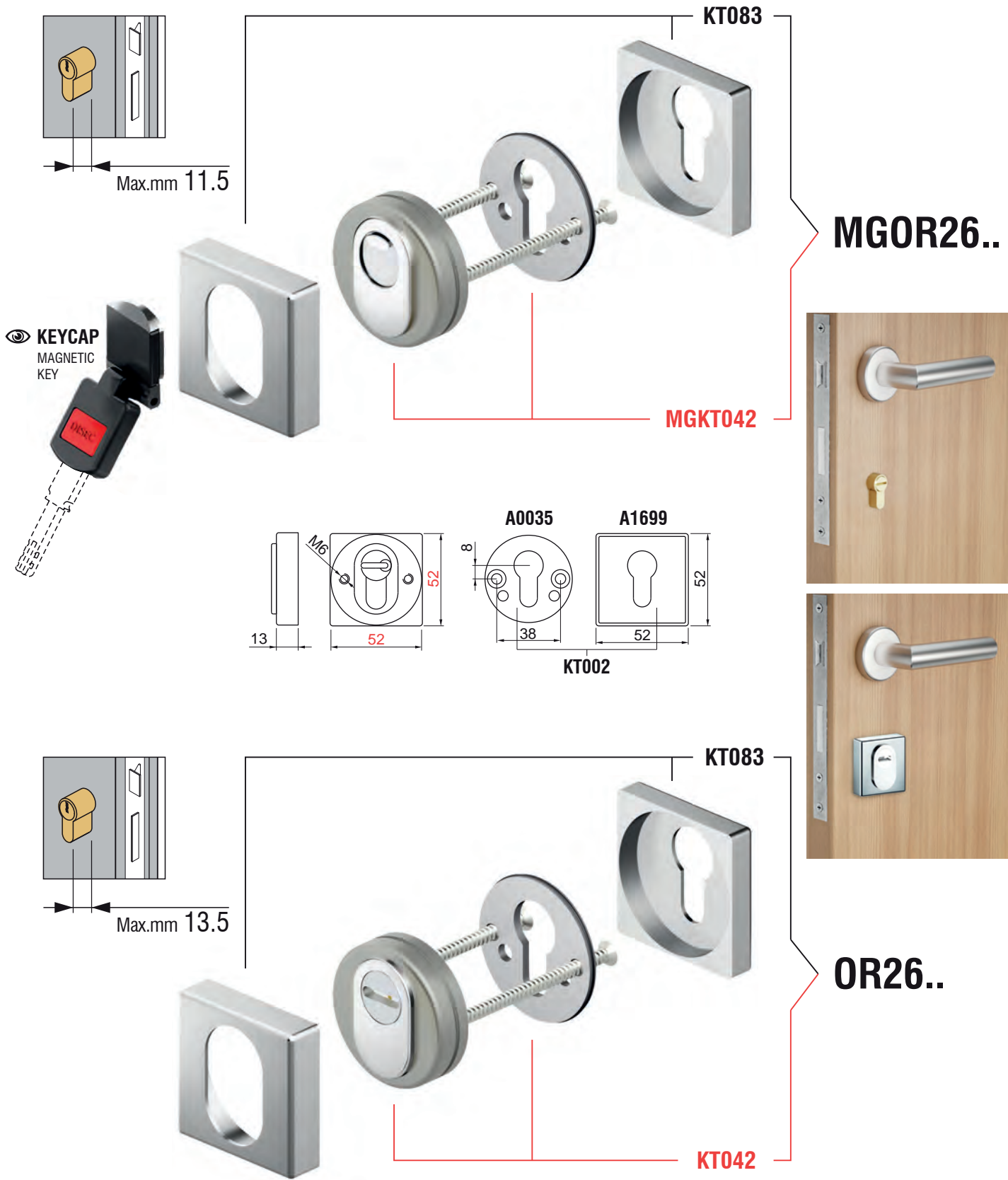


- W** Bianco RAL 9010
White RAL 9010
- C** Cromo lucido
Bright chrome
- T** Cromo satinato
Satin chrome
- 6** Argento anodizzato
Anodized silver
- IT** Inox satinato
Satin stainless steel

- N** Nero
Black
- 8** PVD Nero lucido
PVD Bright black
- T8** PVD Nero antracite
PVD Satin black
- B** Bronzo
Bronze
- BS** Bronzo satinato
Satin bronze

- A** Champagne anodizzato
Anodized champagne
- 9** Oro anodizzato
Anodized gold
- 2** PVD Ottone
PVD Brass
- L** Ottone lucido
Bright brass
- TT** Ottone satinato
Satin brass





MGOR26..

OR26..

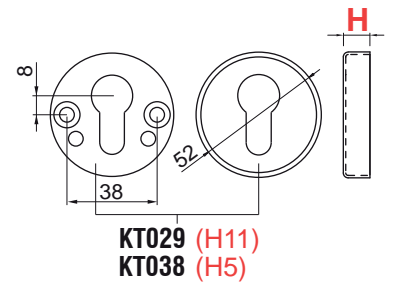
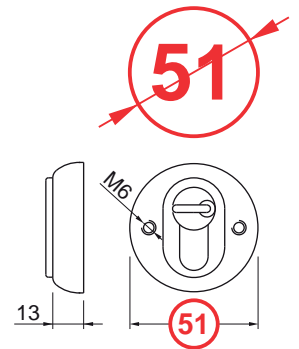
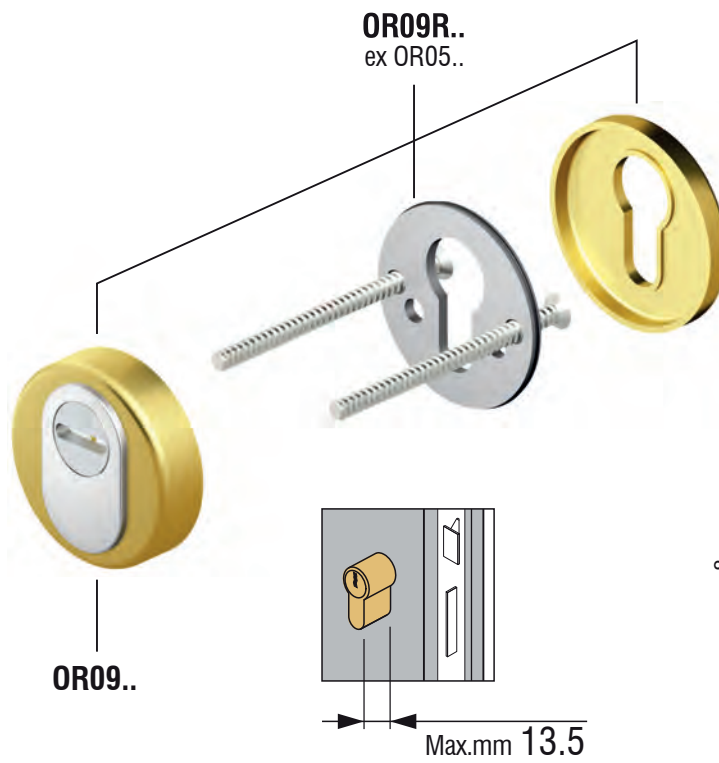
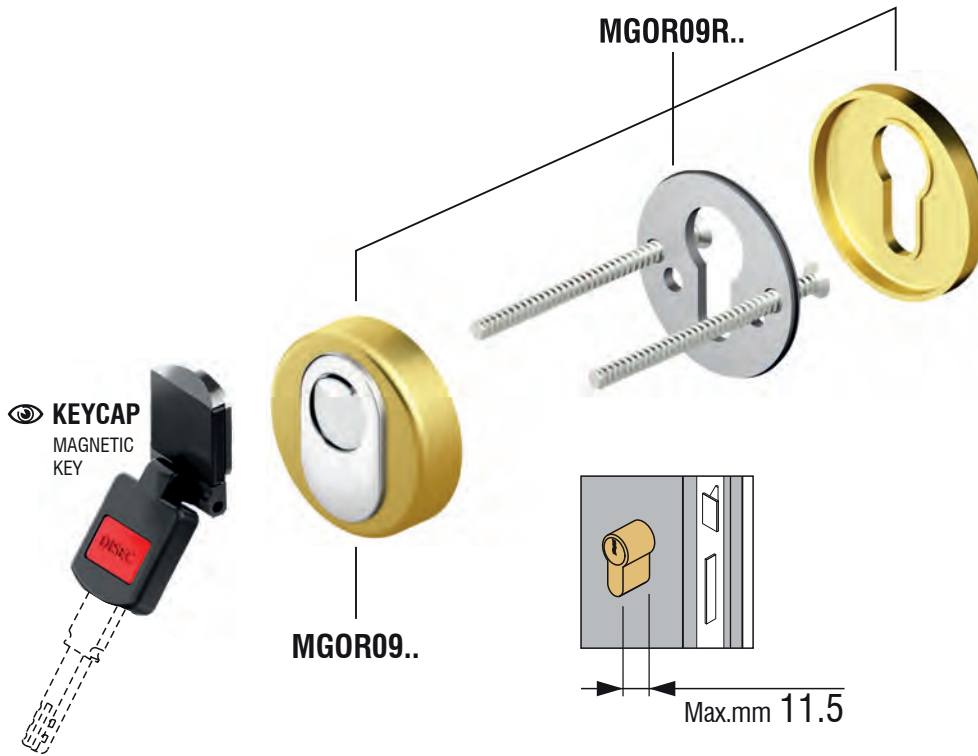
- W Bianco RAL 9010
White RAL 9010
- C Cromo lucido
Bright chrome
- T Cromo satinato
Satin chrome
- 6 Argento anodizzato
Anodized silver
- IT Inox satinato
Satin stainless steel

- N Nero
Black
- 8 PVD Nero lucido
PVD Bright black
- T8 PVD Nero antracite
PVD Satin black
- B Bronzo
Bronze
- BS Bronzo satinato
Satin bronze

- A Champagne anodizzato
Anodized champagne
- 9 Oro anodizzato
Anodized gold
- 2 PVD Ottone
PVD Brass
- L Ottone lucido
Bright brass
- TT Ottone satinato
Satin brass



pag.

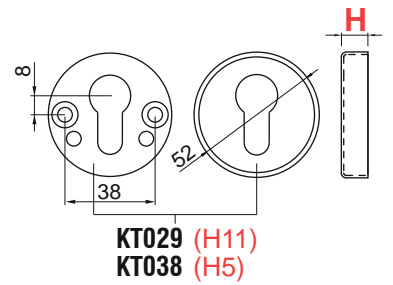
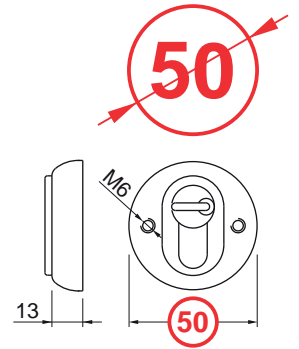
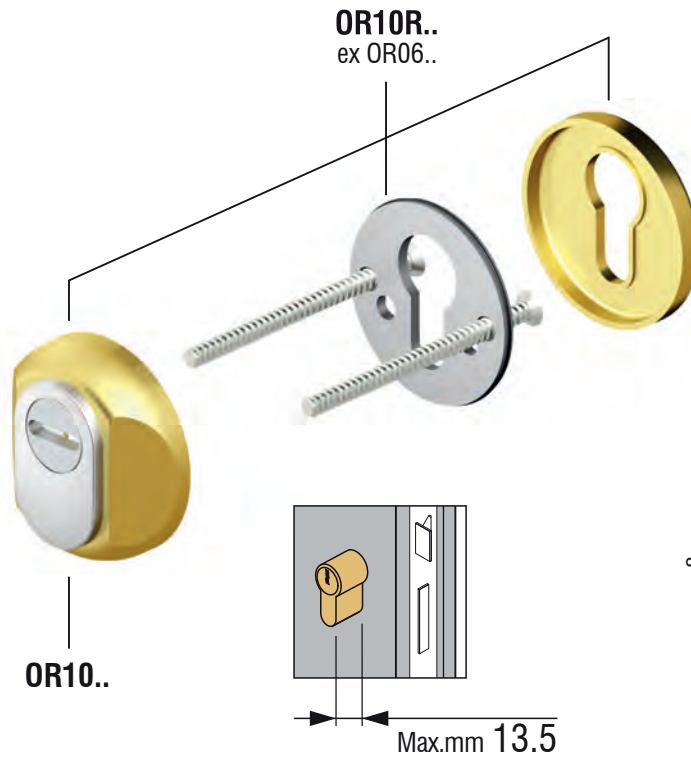
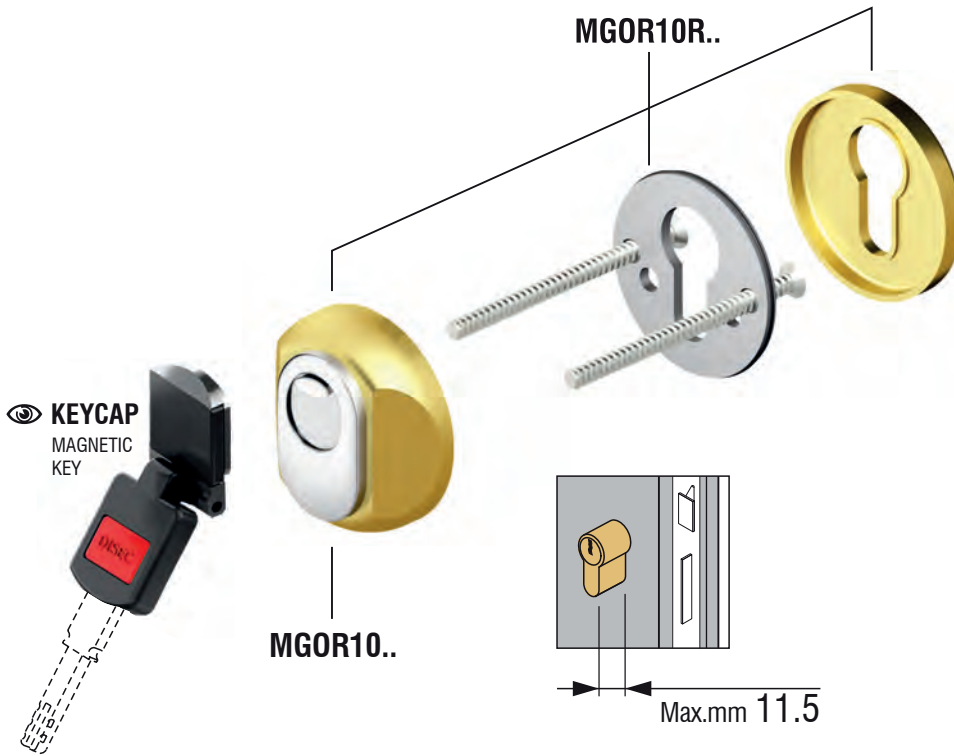


- W** Bianco RAL 9010
White RAL 9010
- C** Cromo lucido
Bright chrome
- T** Cromo satinato
Satin chrome
- 6** Argento anodizzato
Anodized silver
- IT** Inox satinato
Satin stainless steel

- N** Nero
Black
- 8** PVD Nero lucido
PVD Bright black
- T8** PVD Nero antracite
PVD Satin black
- B** Bronzo
Bronze
- BS** Bronzo satinato
Satin bronze

- A** Champagne anodizzato
Anodized champagne
- 9** Oro anodizzato
Anodized gold
- 2** PVD Ottone
PVD Brass
- L** Ottone lucido
Bright brass
- TT** Ottone satinato
Satin brass



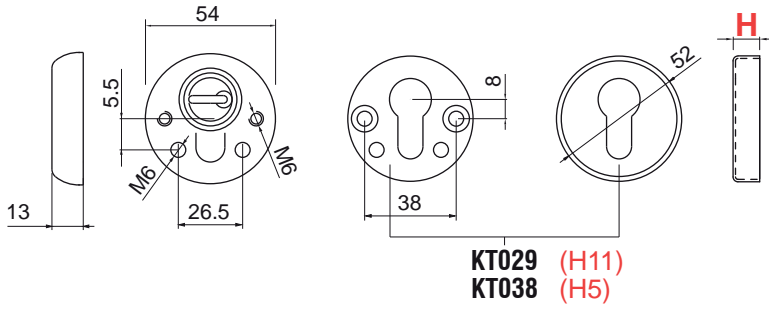


- W Bianco RAL 9010
White RAL 9010
- C Cromo lucido
Bright chrome
- T Cromo satinato
Satin chrome
- 6 Argento anodizzato
Anodized silver
- IT Inox satinato
Satin stainless steel

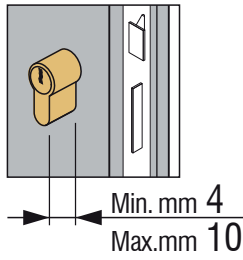
- N Nero
Black
- 8 PVD Nero lucido
PVD Bright black
- T8 PVD Nero antracite
PVD Satin black
- B Bronzo
Bronze
- BS Bronzo satinato
Satin bronze

- A Champagne anodizzato
Anodized champagne
- 9 Oro anodizzato
Anodized gold
- 2 PVD Ottone
PVD Brass
- L Ottone lucido
Bright brass
- TT Ottone satinato
Satin brass

- | | | |
|----------------|-----------|------|
| Standard
S1 | Dom
D1 | pag. |
| | | |
| 3.5 | 5 | |



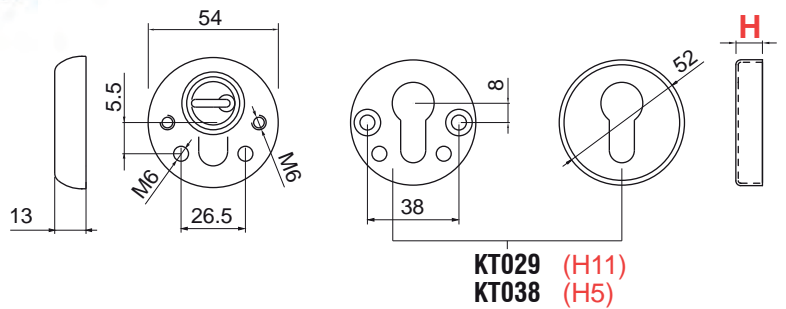
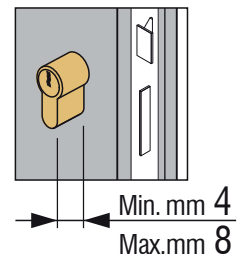
KT029 (H11)
KT038 (H5)



BD01..

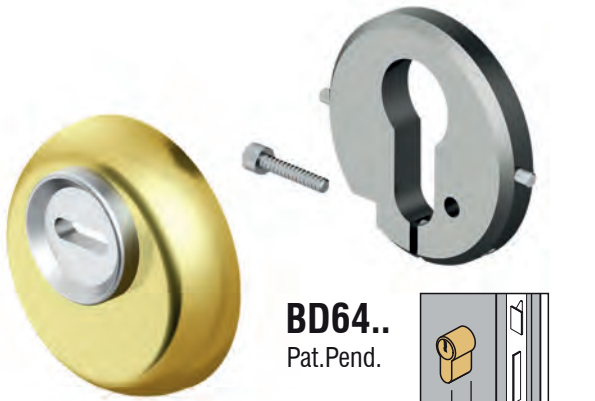


BD54..

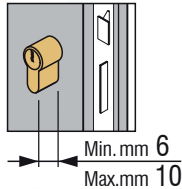


KT029 (H11)
KT038 (H5)

- | | | |
|--|--|--|
| <input checked="" type="checkbox"/> W Bianco RAL 9010
White RAL 9010 | <input checked="" type="checkbox"/> N Nero
Black | <input type="checkbox"/> A Champagne anodizzato
Anodized champagne |
| <input checked="" type="checkbox"/> C Cromo lucido
Bright chrome | <input type="checkbox"/> 8 PVD Nero lucido
PVD Bright black | <input type="checkbox"/> 9 Oro anodizzato
Anodized gold |
| <input checked="" type="checkbox"/> T Cromo satinato
Satin chrome | <input type="checkbox"/> T8 PVD Nero antracite
PVD Satin black | <input checked="" type="checkbox"/> 2 PVD Ottone
PVD Brass |
| <input type="checkbox"/> 6 Argento anodizzato
Anodized silver | <input checked="" type="checkbox"/> B Bronzo
Bronze | <input type="checkbox"/> L Ottone lucido
Bright brass |
| <input checked="" type="checkbox"/> IT Inox satinato
Satin stainless steel | <input type="checkbox"/> BS Bronzo satinato
Satin bronze | <input type="checkbox"/> TT Ottone satinato
Satin brass |



BD64..
Pat.Pend.



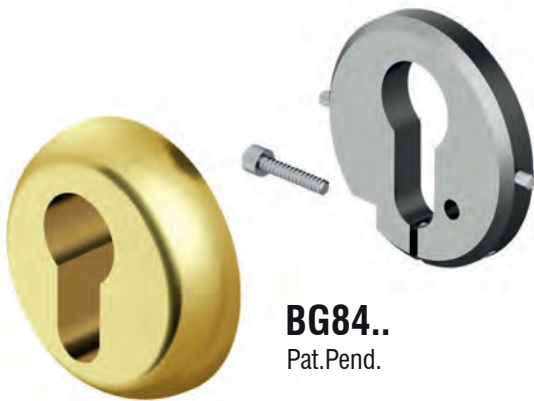
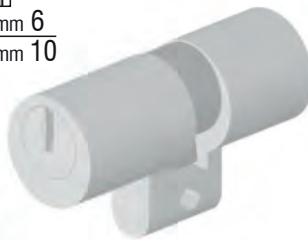
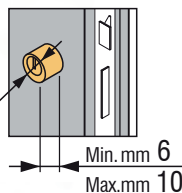
Borchia di protezione da applicare a morsetto sul cilindro. Montaggio semplificato per il fai da te. Da applicare a morsetto sul cilindro.

Do it yourself. Surface mounted cylinder protector. Simplified fitting. To be applied with clamp on the cylinder.

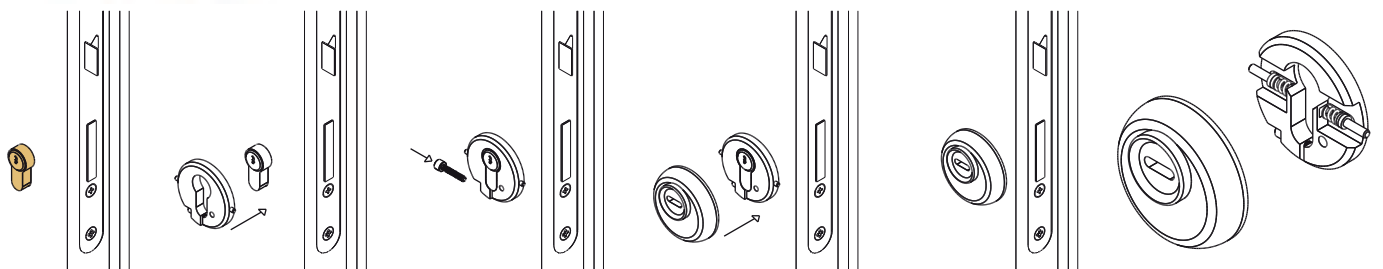
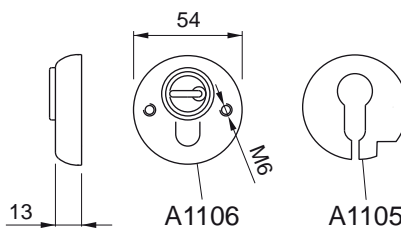


BD64SK..
Pat.Pend.

Max. Ø22



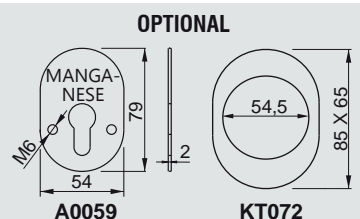
BG84..
Pat.Pend.



- W Bianco RAL 9010
White RAL 9010
- C Cromo lucido
Bright chrome
- T Cromo satinato
Satin chrome
- 6 Argento anodizzato
Anodized silver
- IT Inox satinato
Satin stainless steel

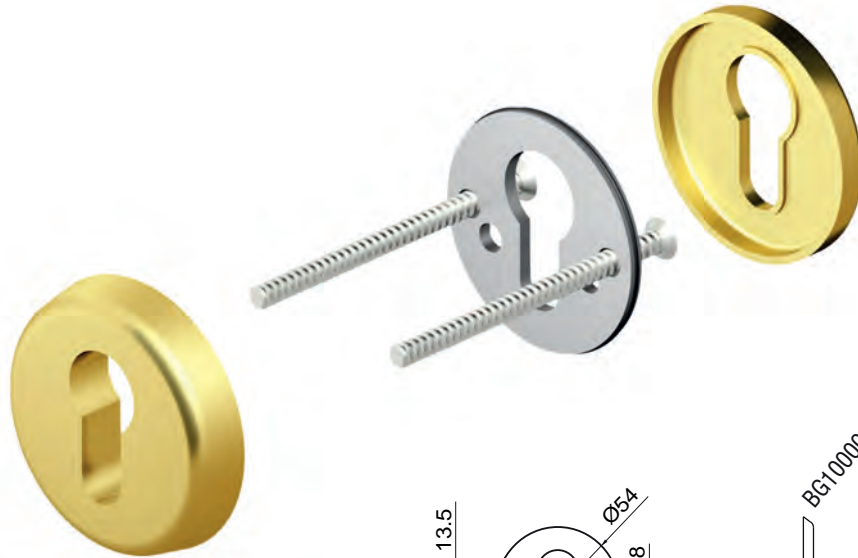
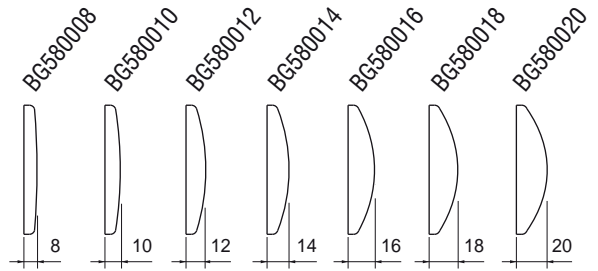
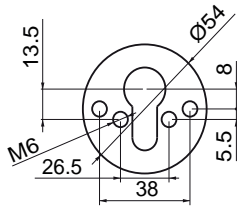
- N Nero
Black
- 8 PVD Nero lucido
PVD Bright black
- T8 PVD Nero antracite
PVD Satin black
- B Bronzo
Bronze
- BS Bronzo satinato
Satin bronze

- A Champagne anodizzato
Anodized champagne
- 9 Oro anodizzato
Anodized gold
- 2 PVD Ottone
PVD Brass
- L Ottone lucido
Bright brass
- TT Ottone satinato
Satin brass

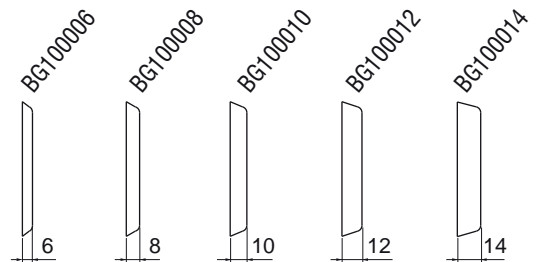
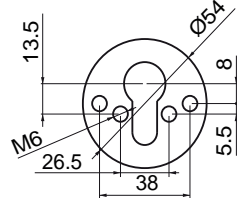




BG5800..
ACC. / STEEL
OTTONE / BRASS



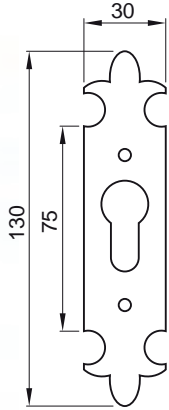
BG1000..
ACC. / STEEL
ALLU. / ALUM
INOX



- W** Bianco RAL 9010
White RAL 9010
- C** Cromo lucido
Bright chrome
- T** Cromo satinato
Satin chrome
- 6** Argento anodizzato
Anodized silver
- IT** Inox satinato
Satin stainless steel

- N** Nero
Black
- 8** PVD Nero lucido
PVD Bright black
- T8** PVD Nero antracite
PVD Satin black
- B** Bronzo
Bronze
- BS** Bronzo satinato
Satin bronze

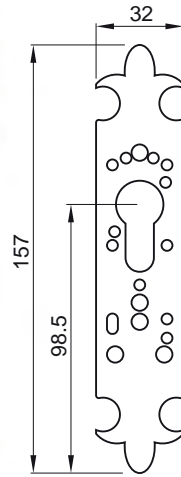
- A** Champagne anodizzato
Anodized champagne
- 9** Oro anodizzato
Anodized gold
- 2** PVD Ottone
PVD Brass
- L** Ottone lucido
Bright brass
- TT** Ottone satinato
Satin brass



A2425

SG08RST..

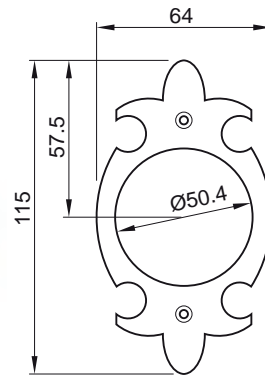
Max 9.5 mm



A2424

SG77RST..

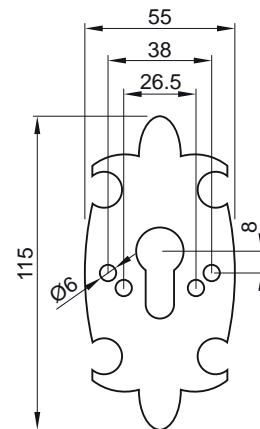
Max 16 mm



A2429

BD16RST..

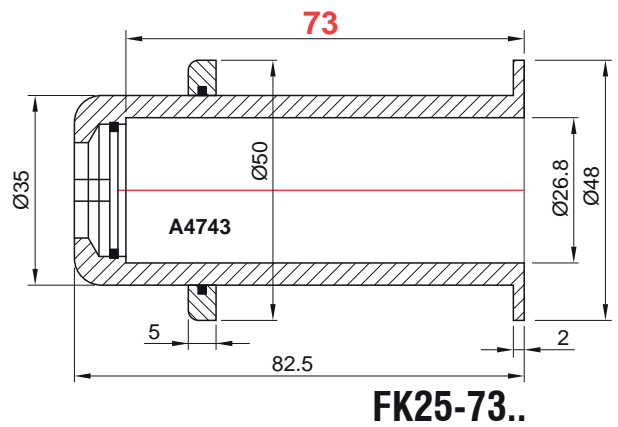
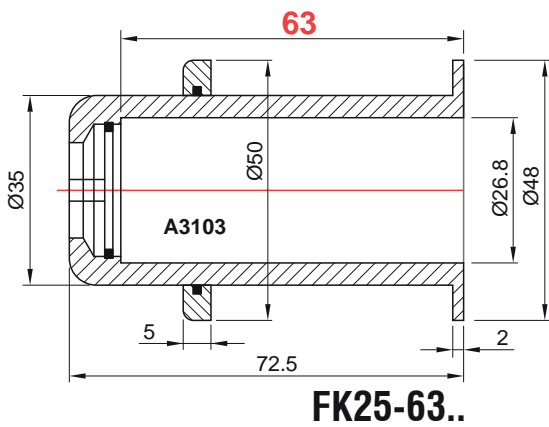
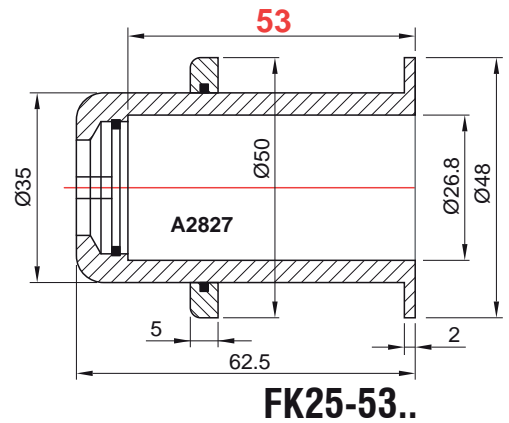
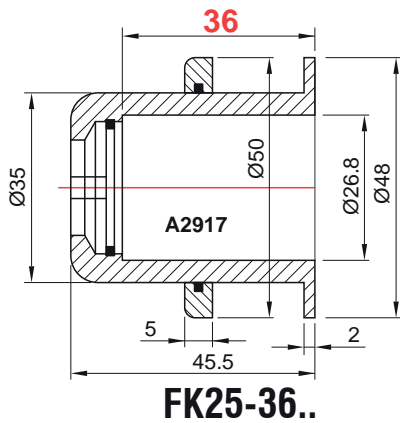
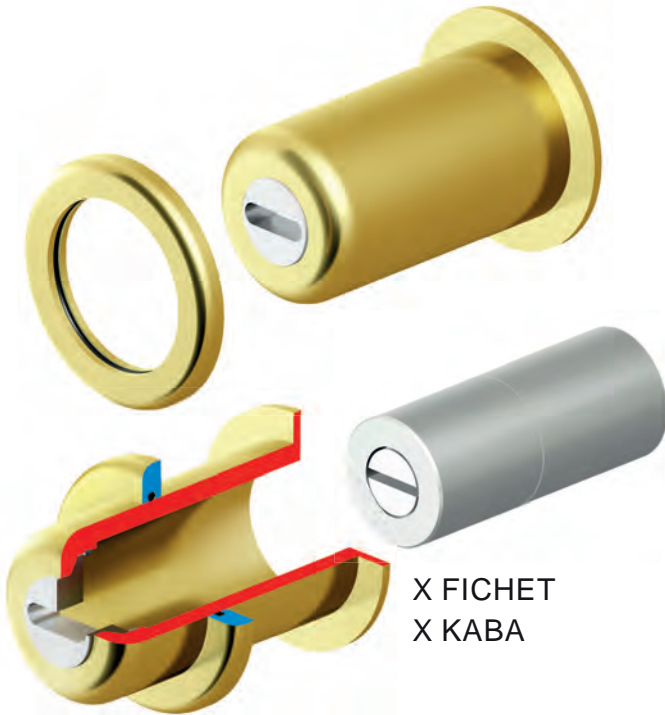
Max 17.5 mm



A2426

OR01RST..

Max 15 mm



- | | | |
|--|---|---|
| <input type="checkbox"/> W Bianco RAL 9010
White RAL 9010 | <input type="checkbox"/> N Nero
Black | <input type="checkbox"/> A Champagne anodizzato
Anodized champagne |
| <input type="checkbox"/> C Cromo lucido
Bright chrome | <input type="checkbox"/> 8 PVD Nero lucido
PVD Bright black | <input type="checkbox"/> 9 Oro anodizzato
Anodized gold |
| <input checked="" type="checkbox"/> T Cromo satinato
Satin chrome | <input type="checkbox"/> T8 PVD Nero antracite
PVD Satin black | <input checked="" type="checkbox"/> 2 PVD Ottone
PVD Brass |
| <input type="checkbox"/> 6 Argento anodizzato
Anodized silver | <input type="checkbox"/> B Bronzo
Bronze | <input type="checkbox"/> L Ottone lucido
Bright brass |
| <input type="checkbox"/> IT Inox satinato
Satin stainless steel | <input type="checkbox"/> BS Bronzo satinato
Satin bronze | <input type="checkbox"/> TT Ottone satinato
Satin brass |





OR14..
X FIAM



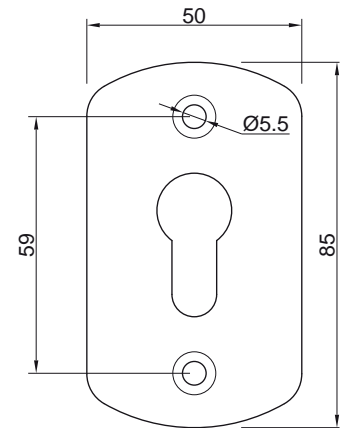
OPTIONAL



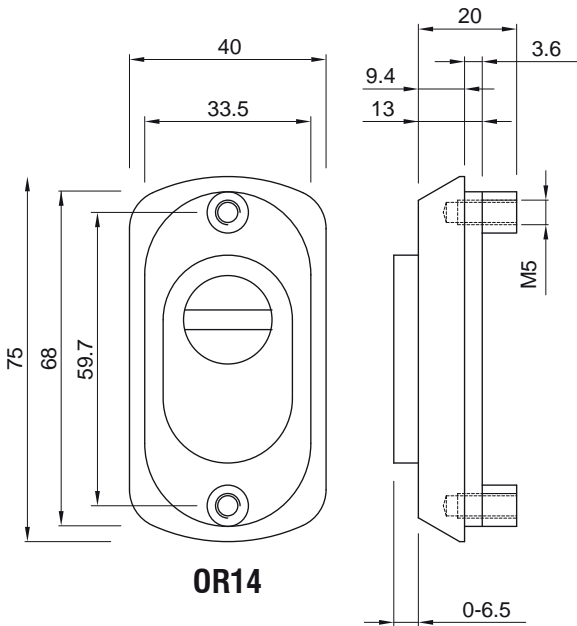
OPTIONAL



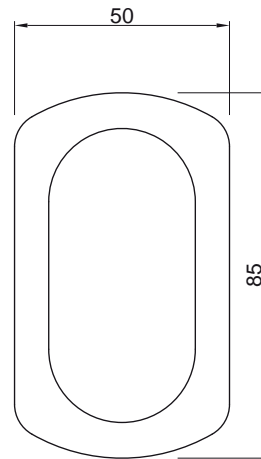
OPTIONAL



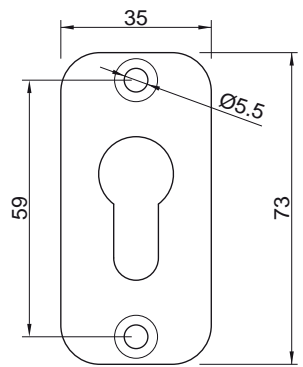
A2138



OR14

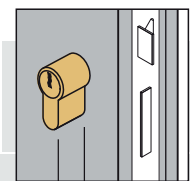
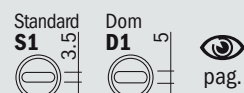


A2136

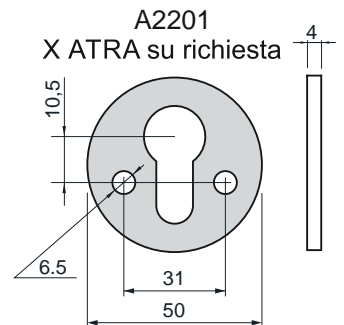
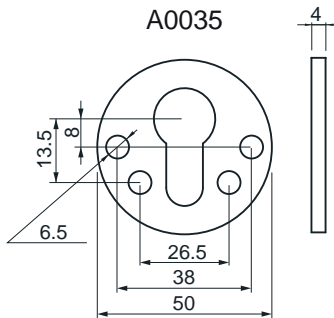
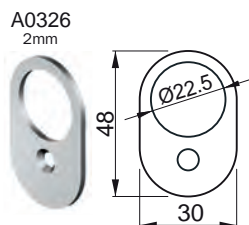
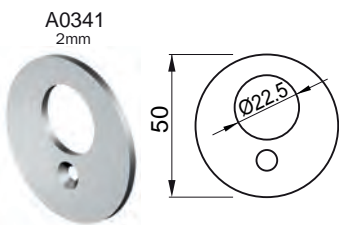
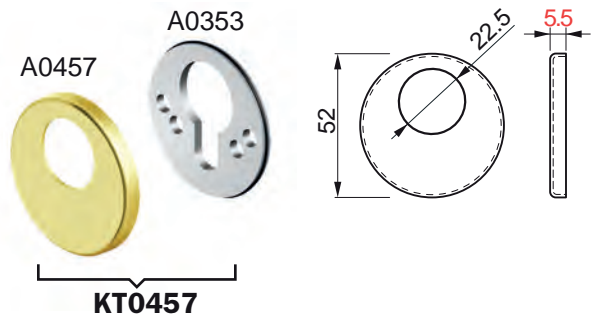
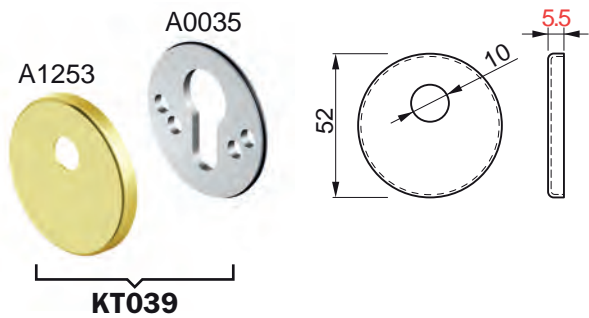
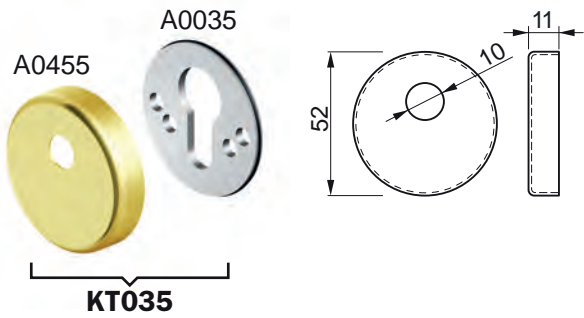
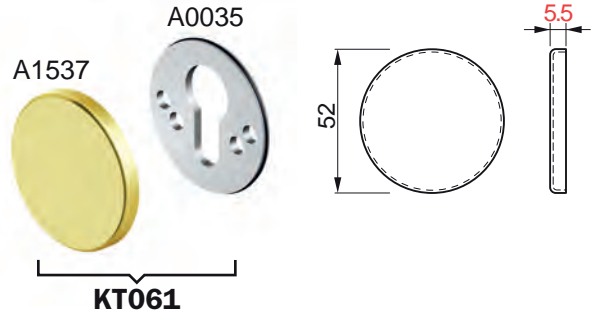
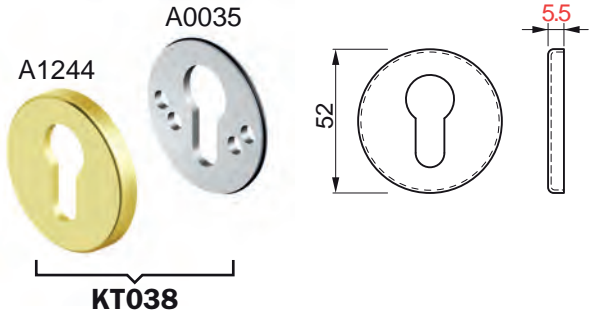
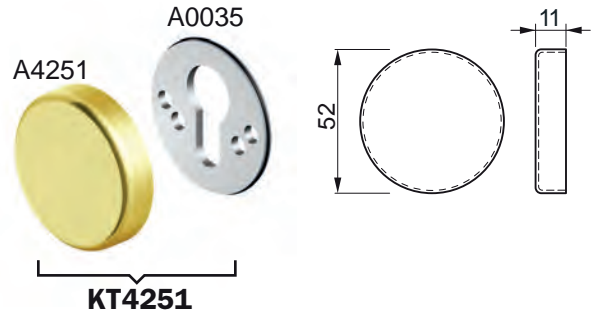
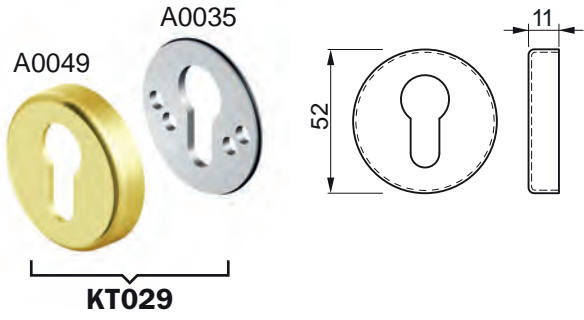


A2454

- | | | |
|--|---|---|
| <input type="checkbox"/> W Bianco RAL 9010
White RAL 9010 | <input type="checkbox"/> N Nero
Black | <input type="checkbox"/> A Champagne anodizzato
Anodized champagne |
| <input checked="" type="checkbox"/> C Cromo lucido
Bright chrome | <input type="checkbox"/> 8 PVD Nero lucido
PVD Bright black | <input type="checkbox"/> 9 Oro anodizzato
Anodized gold |
| <input checked="" type="checkbox"/> T Cromo satinato
Satin chrome | <input type="checkbox"/> T8 PVD Nero antracite
PVD Satin black | <input checked="" type="checkbox"/> 2 PVD Ottone
PVD Brass |
| <input type="checkbox"/> 6 Argento anodizzato
Anodized silver | <input checked="" type="checkbox"/> B Bronzo
Bronze | <input checked="" type="checkbox"/> L Ottone lucido
Bright brass |
| <input type="checkbox"/> IT Inox satinato
Satin stainless steel | <input type="checkbox"/> BS Bronzo satinato
Satin bronze | <input type="checkbox"/> TT Ottone satinato
Satin brass |



Max.mm 13.5



FINITURE / FINISHES

- | | | | | |
|---------------------------------|----------------------------------|------------------------------------|----------------------------------|--------------------|
| Ⓒ Cromo lucido
Bright Chrome | Ⓓ Cromo satinato
Satin Chrome | Ⓔ Cromo opaco
Mat Chrome | Ⓖ Inox satinato
Satin S.Steel | Ⓑ Bronzo
Bronze |
| Ⓕ Ottone lucido
Bright Brass | Ⓗ PVD Ottone
PVD Brass | ⒼⓈ Bronzo satinato
Satin Bronze | Ⓗ Nero
Black | |



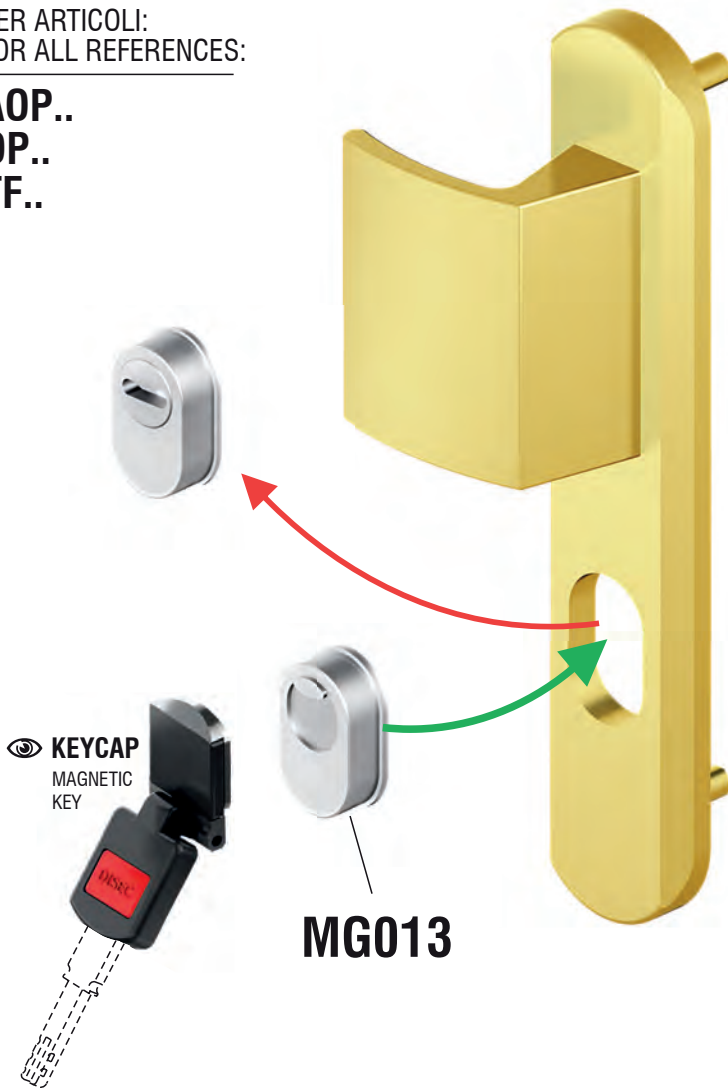
PLACCHE

Handle plates



PER ARTICOLI:
FOR ALL REFERENCES:

AOP..
OP..
TF..

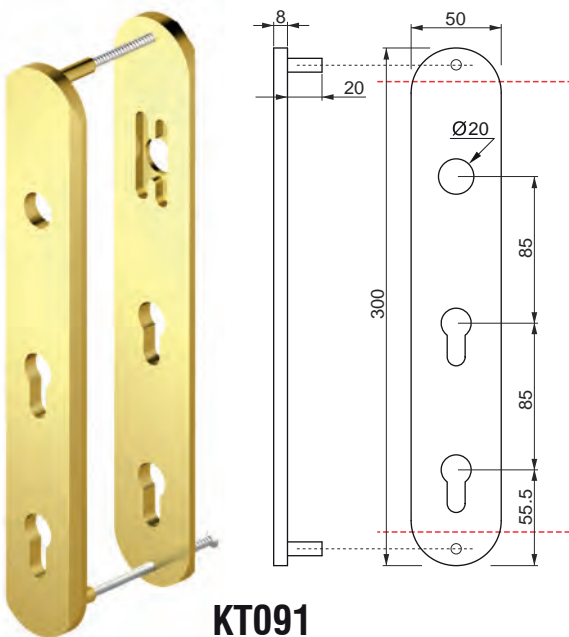
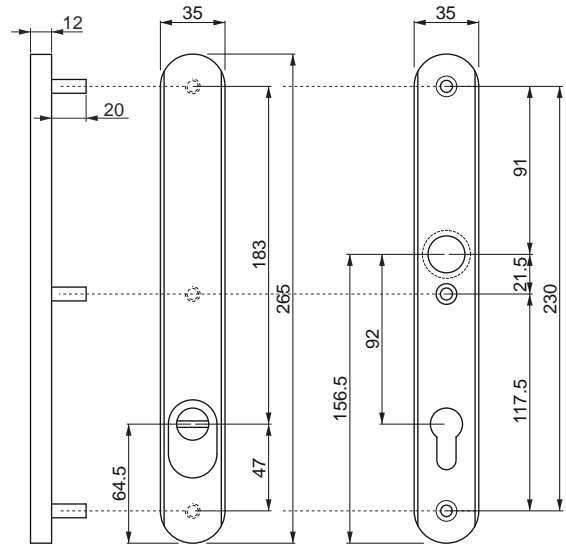


VIDEO:

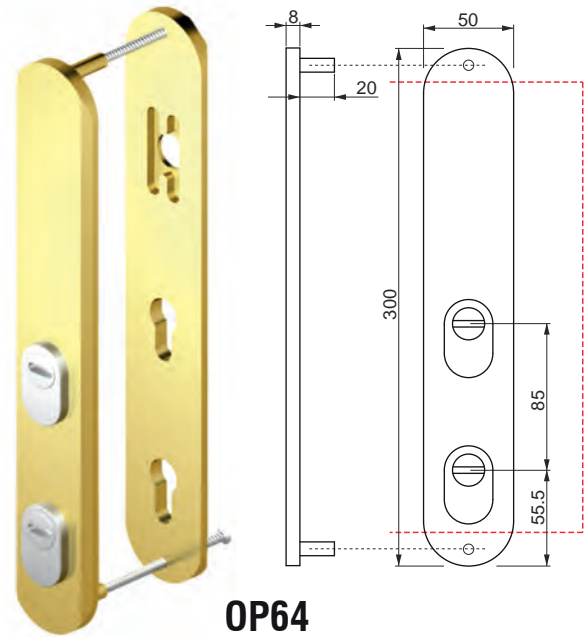




OP65
x eff-eff



KT091
x CIR - FERBONA



OP64
x CIR - FERBONA

- W** Bianco RAL 9010
White RAL 9010
- C** Cromo lucido
Bright chrome
- T** Cromo satinato
Satin chrome
- 6** Argento anodizzato
Anodized silver
- IT** Inox satinato
Satin stainless steel

- N** Nero
Black
- 8** PVD Nero lucido
PVD Bright black
- T8** PVD Nero antracite
PVD Satin black
- B** Bronzo
Bronze
- BS** Bronzo satinato
Satin bronze

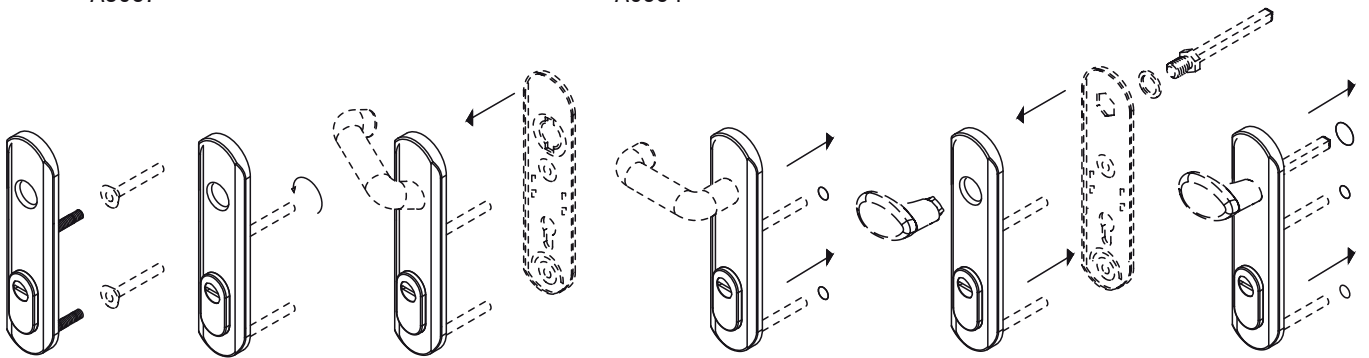
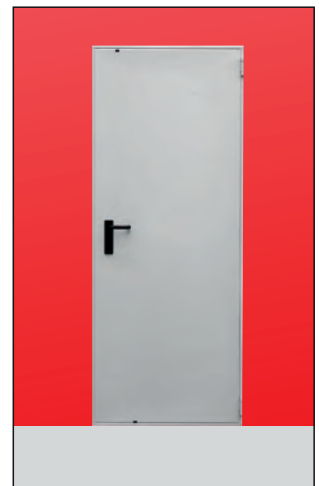
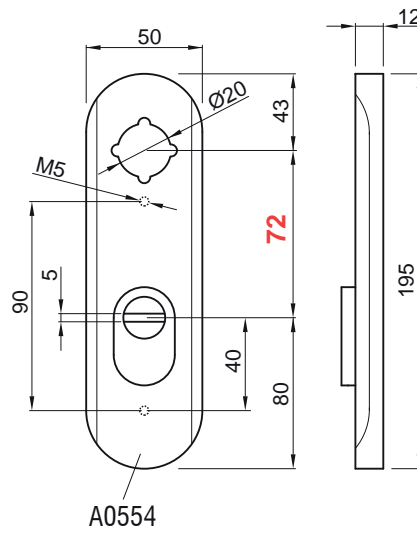
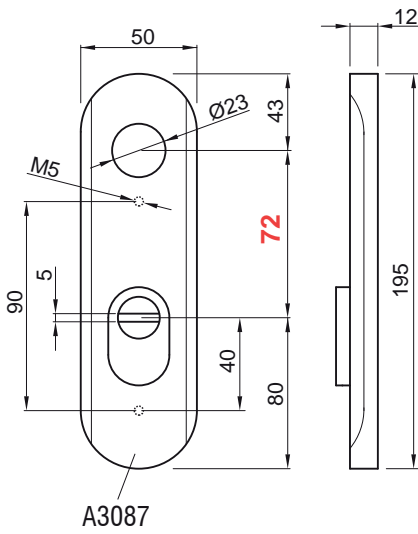
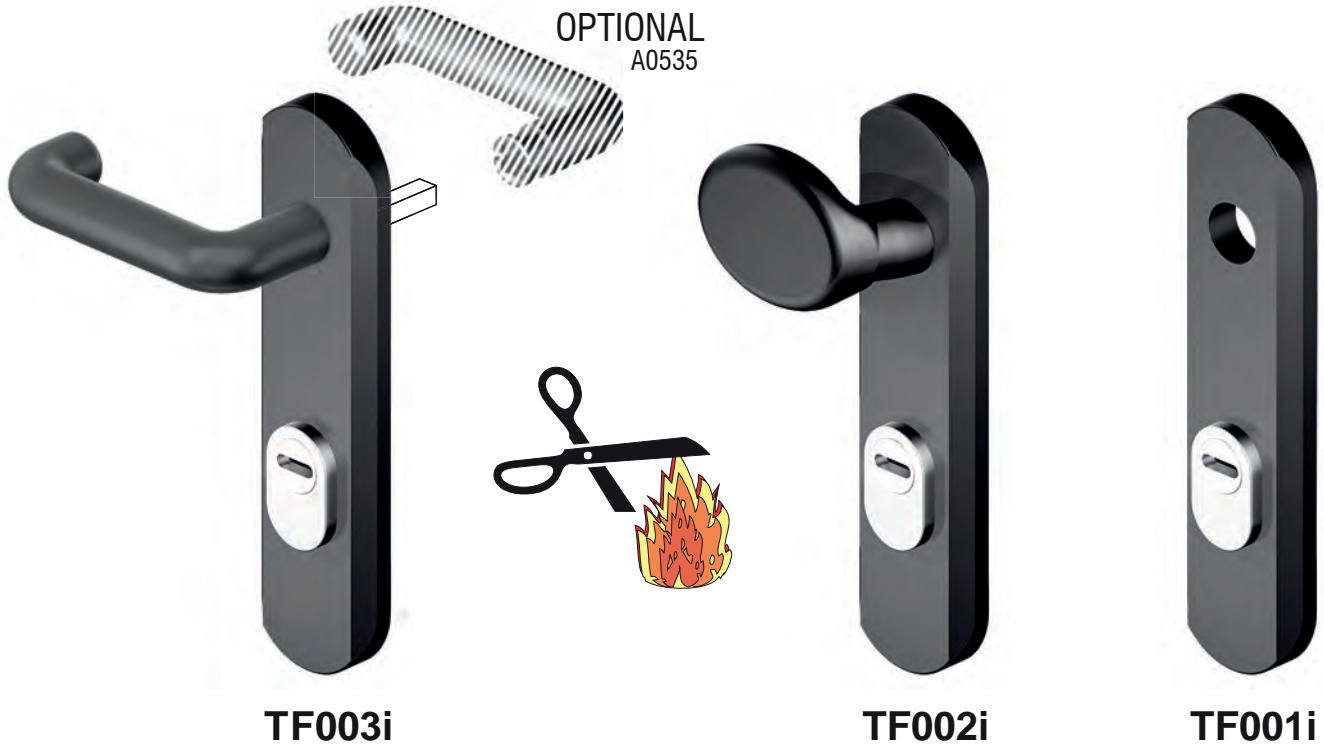
- A** Champagne anodizzato
Anodized champagne
- 9** Oro anodizzato
Anodized gold
- 2** PVD Ottone
PVD Brass
- L** Ottone lucido
Bright brass
- TT** Ottone satinato
Satin brass



Standard
S1
3.5

Dom
D1
5

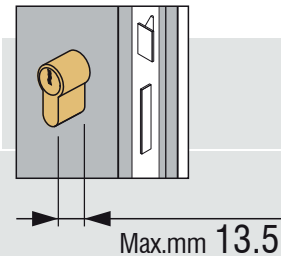
pag.



- W** Bianco RAL 9010
White RAL 9010
- C** Cromo lucido
Bright chrome
- T** Cromo satinato
Satin chrome
- 6** Argento anodizzato
Anodized silver
- IT** Inox satinato
Satin stainless steel

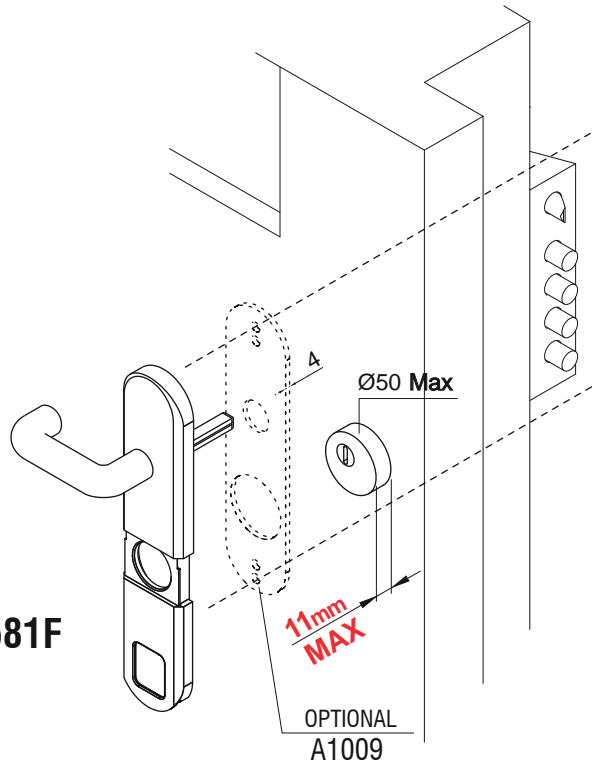
- N** Nero
Black
- 8** PVD Nero lucido
PVD Bright black
- T8** PVD Nero antracite
PVD Satin black
- B** Bronzo
Bronze
- BS** Bronzo satinato
Satin bronze

- A** Champagne anodizzato
Anodized champagne
- 9** Oro anodizzato
Anodized gold
- 2** PVD Ottone
PVD Brass
- L** Ottone lucido
Bright brass
- TT** Ottone satinato
Satin brass



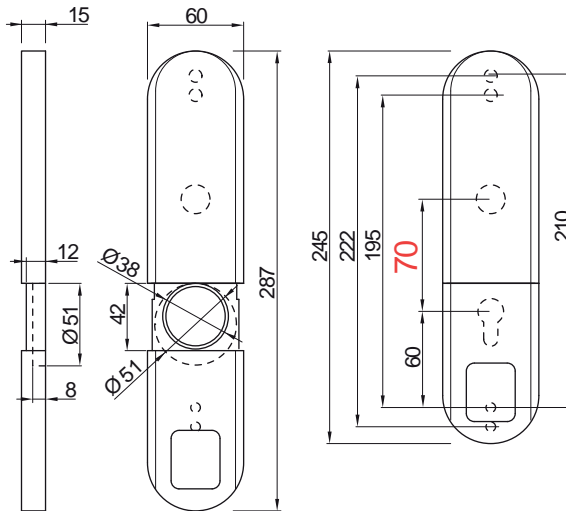


MG581F



MG571F

MG591F

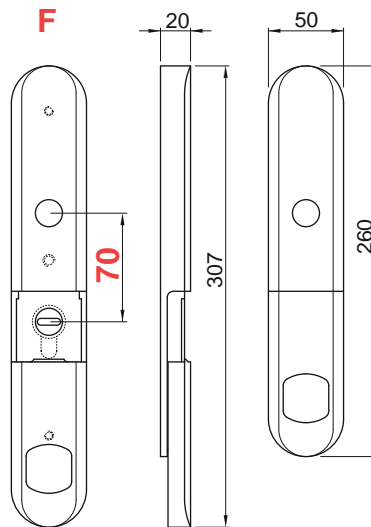
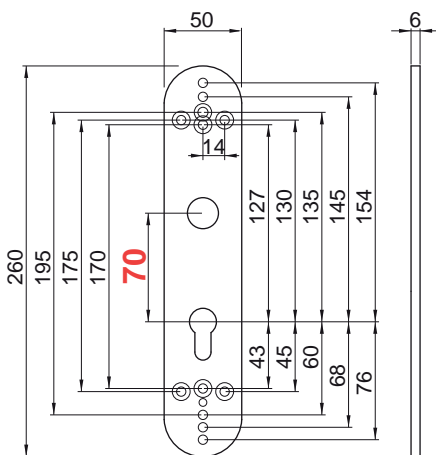
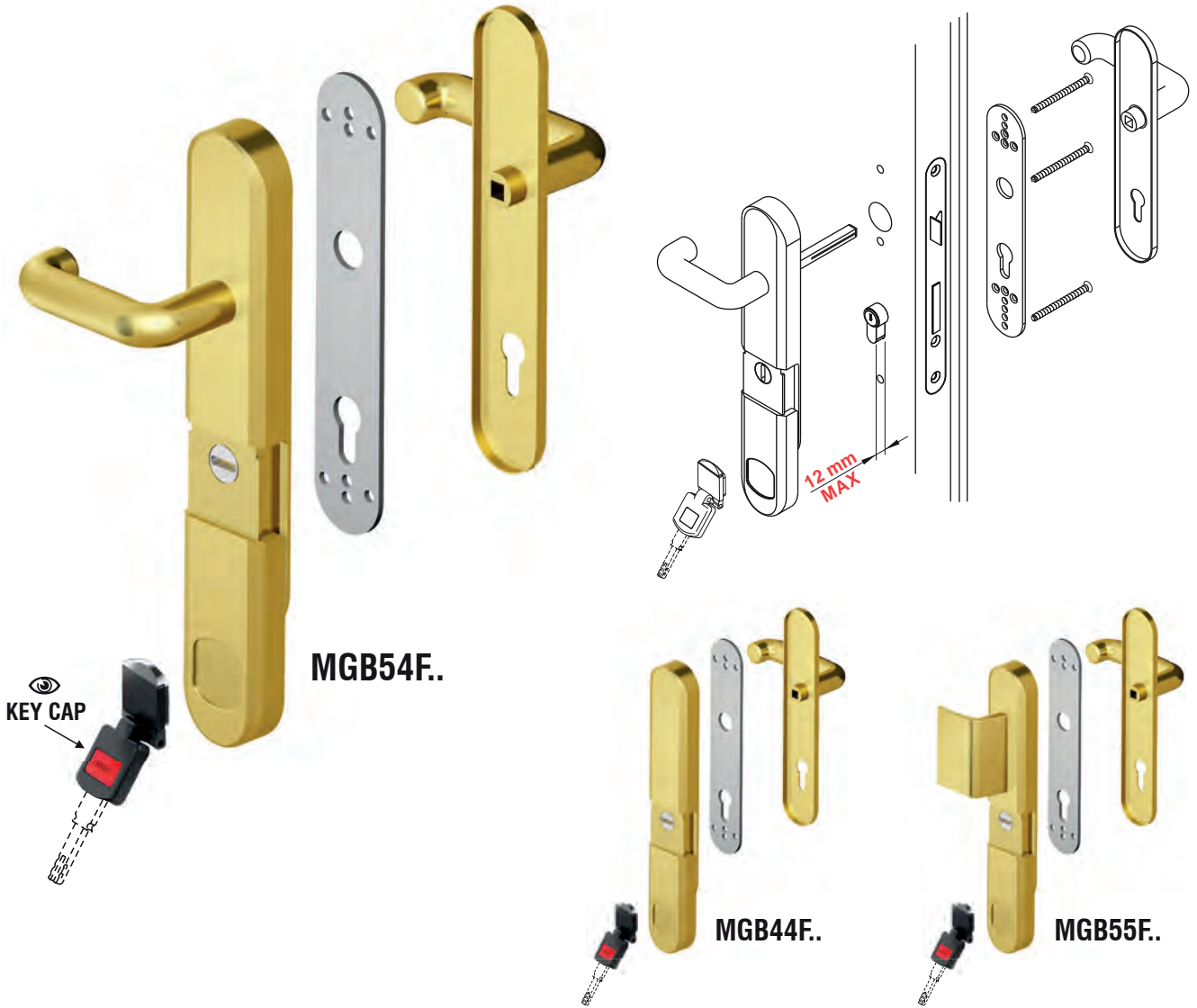


- W Bianco RAL 9010
White RAL 9010
- C Cromo lucido
Bright chrome
- T Cromo satinato
Satin chrome
- 6 Argento anodizzato
Anodized silver
- IT Inox satinato
Satin stainless steel

- N Nero
Black
- 8 PVD Nero lucido
PVD Bright black
- T8 PVD Nero antracite
PVD Satin black
- B Bronzo
Bronze
- BS Bronzo satinato
Satin bronze

- A Champagne anodizzato
Anodized champagne
- 9 Oro anodizzato
Anodized gold
- 2 PVD Ottone
PVD Brass
- L Ottone lucido
Bright brass
- TT Ottone satinato
Satin brass

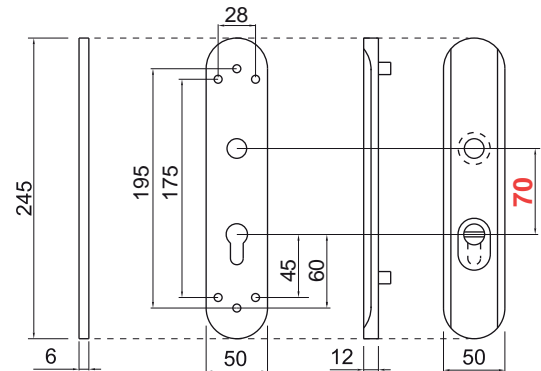
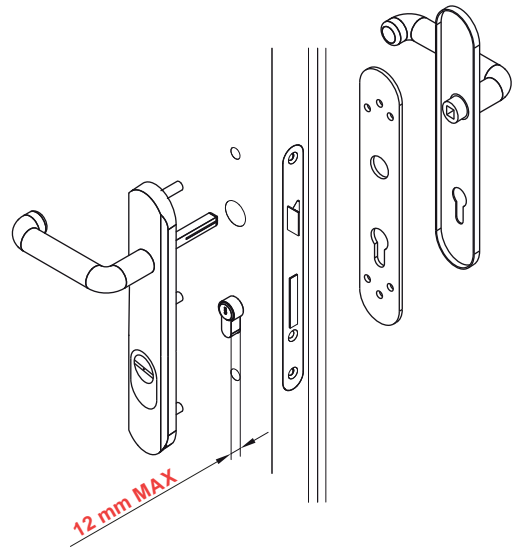
Spessori disponibili:
Available spacers:
5mm



- | | | |
|---|---|---|
| <input type="checkbox"/> W Bianco RAL 9010
White RAL 9010 | <input type="checkbox"/> N Nero
Black | <input type="checkbox"/> A Champagne anodizzato
Anodized champagne |
| <input type="checkbox"/> C Cromo lucido
Bright chrome | <input type="checkbox"/> 8 PVD Nero lucido
PVD Bright black | <input checked="" type="checkbox"/> 9 Oro anodizzato
Anodized gold |
| <input type="checkbox"/> T Cromo satinato
Satin chrome | <input type="checkbox"/> 18 PVD Nero antracite
PVD Satin black | <input type="checkbox"/> 2 PVD Ottone
PVD Brass |
| <input checked="" type="checkbox"/> 6 Argento anodizzato
Anodized silver | <input checked="" type="checkbox"/> B Bronzo
Bronze | <input type="checkbox"/> L Ottone lucido
Bright brass |
| <input type="checkbox"/> IT Inox satinato
Satin stainless steel | <input type="checkbox"/> BS Bronzo satinato
Satin bronze | <input type="checkbox"/> TT Ottone satinato
Satin brass |



AOP54..F
50 mm



AOP52..F



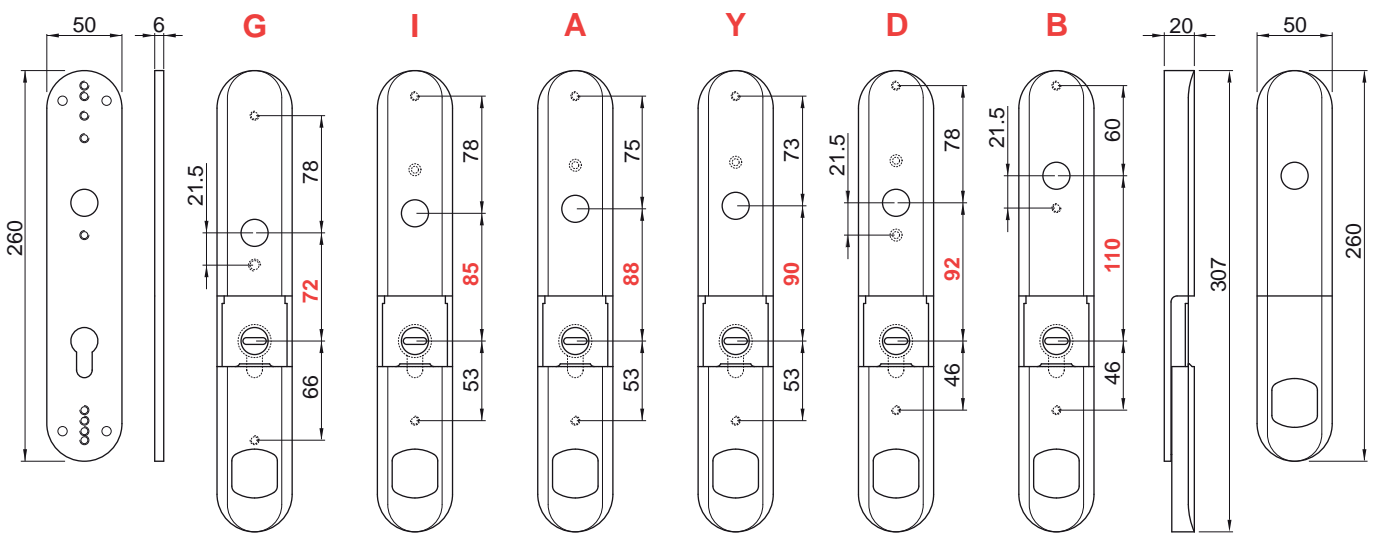
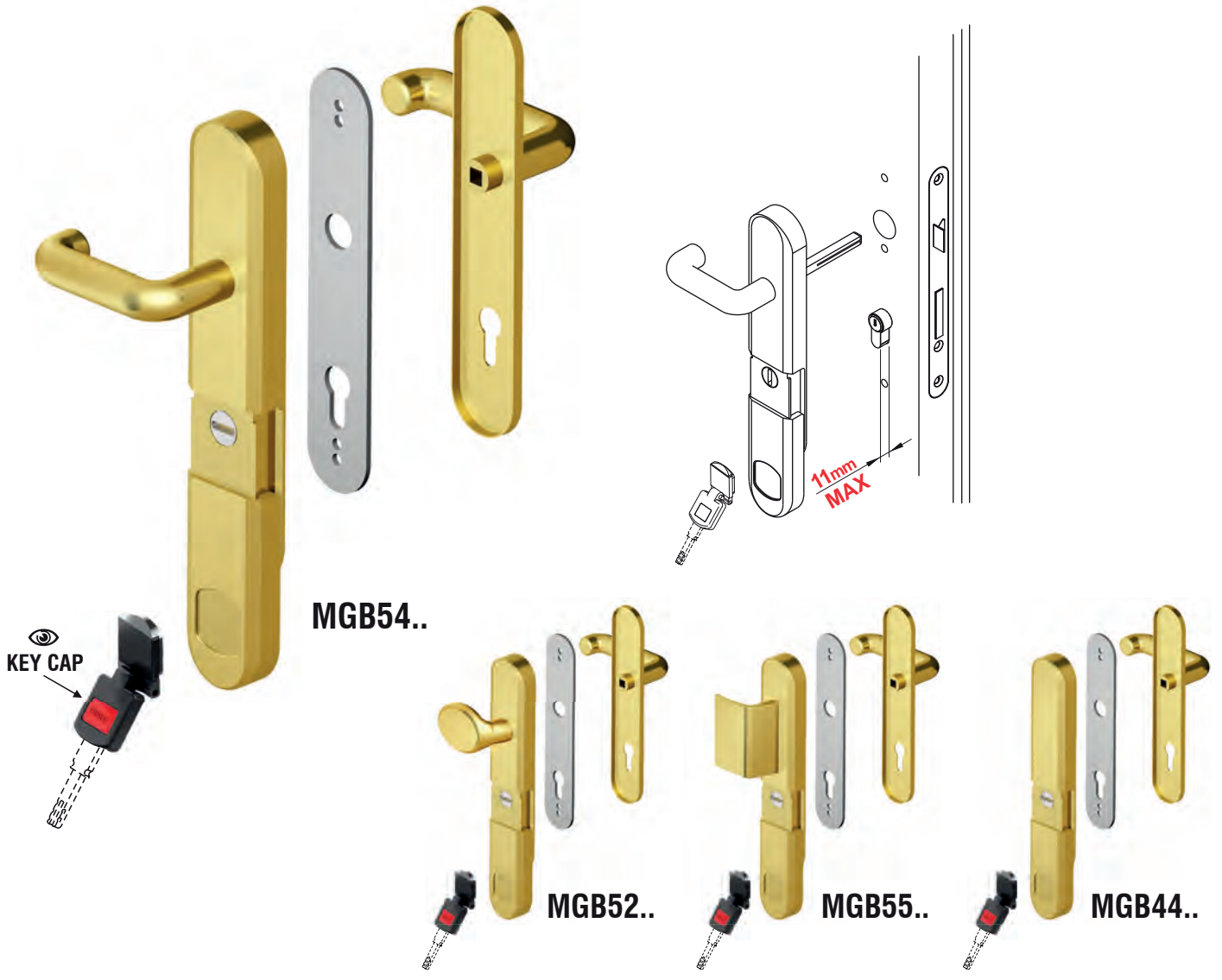
AOP55..F



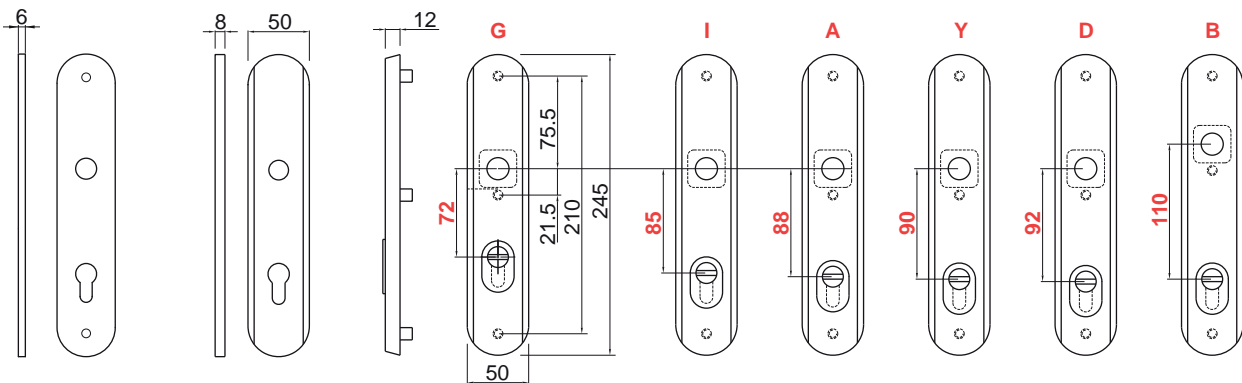
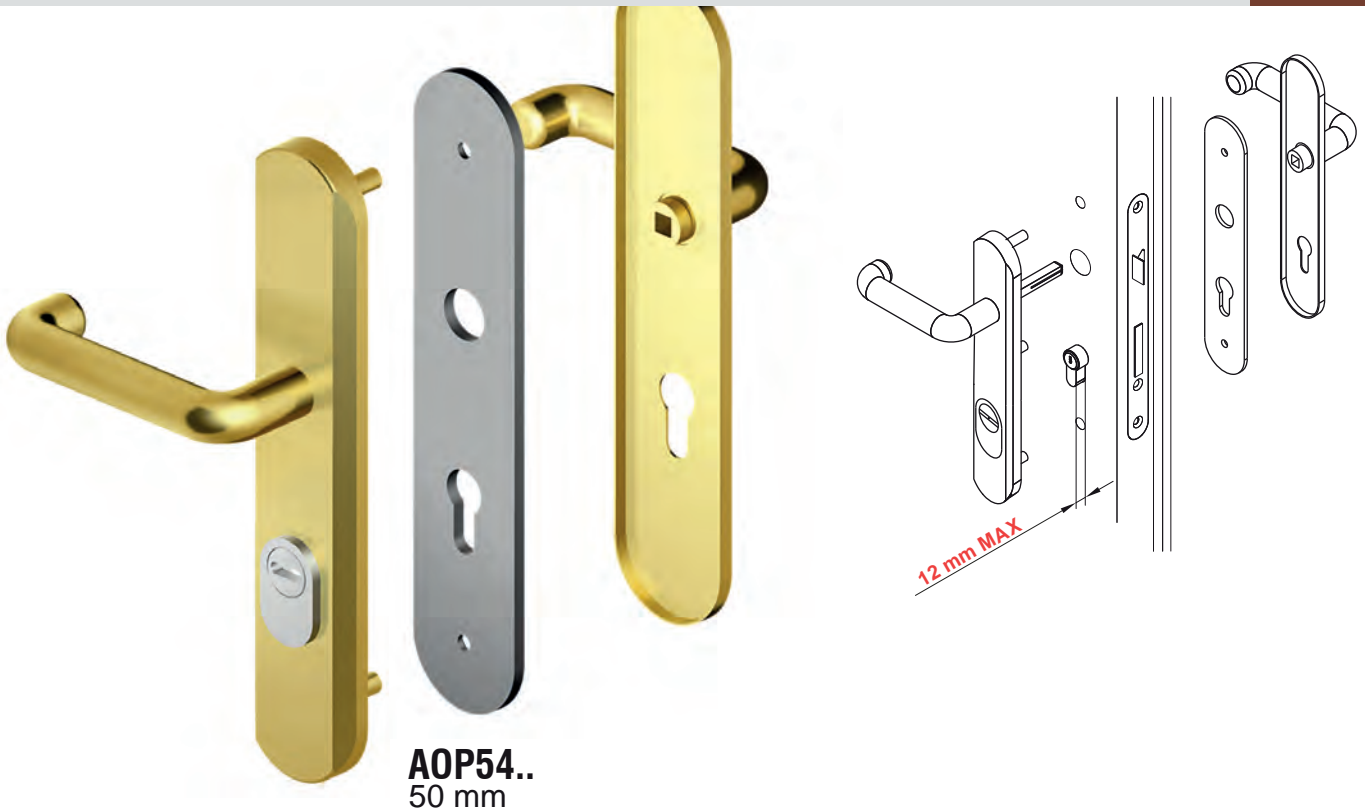
AOP44..F

- | | | |
|---|---|--|
| <input type="checkbox"/> W Bianco RAL 9010
White RAL 9010 | <input type="checkbox"/> N Nero
Black | <input checked="" type="checkbox"/> A Champagne anodizzato
Anodized champagne |
| <input type="checkbox"/> C Cromo lucido
Bright chrome | <input type="checkbox"/> 8 PVD Nero lucido
PVD Bright black | <input checked="" type="checkbox"/> 9 Oro anodizzato
Anodized gold |
| <input type="checkbox"/> T Cromo satinato
Satin chrome | <input type="checkbox"/> T8 PVD Nero antracite
PVD Satin black | <input type="checkbox"/> 2 PVD Ottone
PVD Brass |
| <input checked="" type="checkbox"/> 6 Argento anodizzato
Anodized silver | <input type="checkbox"/> B Bronzo
Bronze | <input type="checkbox"/> L Ottone lucido
Bright brass |
| <input type="checkbox"/> IT Inox satinato
Satin stainless steel | <input type="checkbox"/> BS Bronzo satinato
Satin bronze | <input type="checkbox"/> TT Ottone satinato
Satin brass |





- | | | |
|--|--|--|
| <input type="checkbox"/> W Bianco RAL 9010
White RAL 9010 | <input type="checkbox"/> N Nero
Black | <input type="checkbox"/> A Champagne anodizzato
Anodized champagne |
| <input type="checkbox"/> C Cromo lucido
Bright chrome | <input type="checkbox"/> 8 PVD Nero lucido
PVD Bright black | <input type="checkbox"/> X 9 Oro anodizzato
Anodized gold |
| <input type="checkbox"/> T Cromo satinato
Satin chrome | <input type="checkbox"/> T8 PVD Nero antracite
PVD Satin black | <input type="checkbox"/> 2 PVD Ottone
PVD Brass |
| <input checked="" type="checkbox"/> 6 Argento anodizzato
Anodized silver | <input checked="" type="checkbox"/> B Bronzo
Bronze | <input type="checkbox"/> L Ottone lucido
Bright brass |
| <input type="checkbox"/> IT Inox satinato
Satin stainless steel | <input type="checkbox"/> BS Bronzo satinato
Satin bronze | <input type="checkbox"/> TT Ottone satinato
Satin brass |



- W** Bianco RAL 9010
White RAL 9010
- C** Cromo lucido
Bright chrome
- T** Cromo satinato
Satin chrome
- 6** Argento anodizzato
Anodized silver
- IT** Inox satinato
Satin stainless steel

- N** Nero
Black
- 8** PVD Nero lucido
PVD Bright black
- T8** PVD Nero antracite
PVD Satin black
- B** Bronzo
Bronze
- BS** Bronzo satinato
Satin bronze

- A** Champagne anodizzato
Anodized champagne
- 9** Oro anodizzato
Anodized gold
- 2** PVD Ottone
PVD Brass
- L** Ottone lucido
Bright brass
- TT** Ottone satinato
Satin brass

Standard
S1
3.5

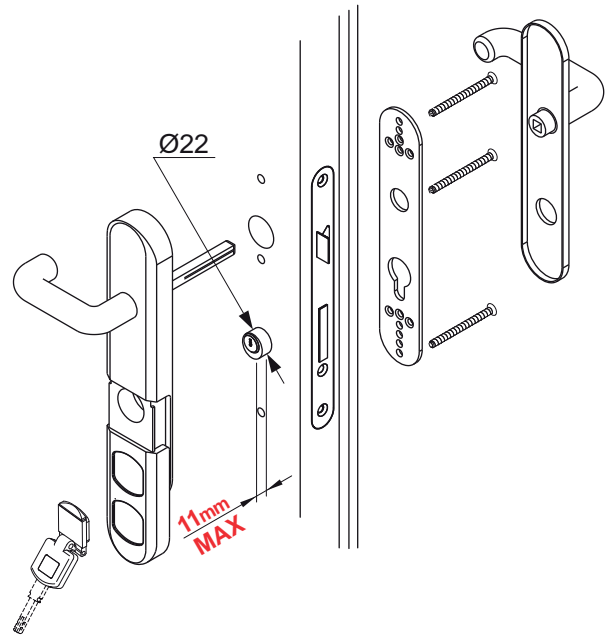
Dom
D1
5



pag.



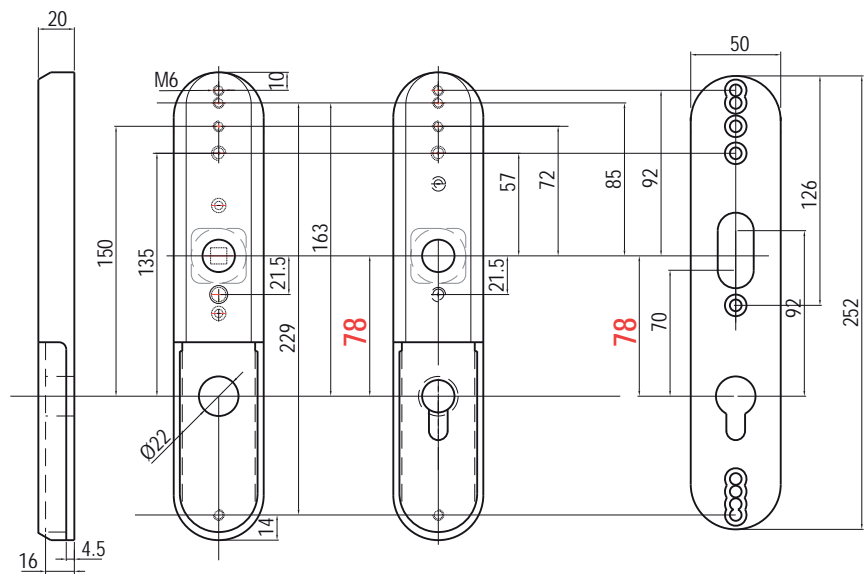
MGB540SK



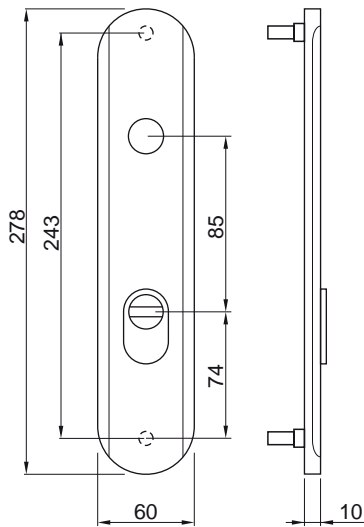
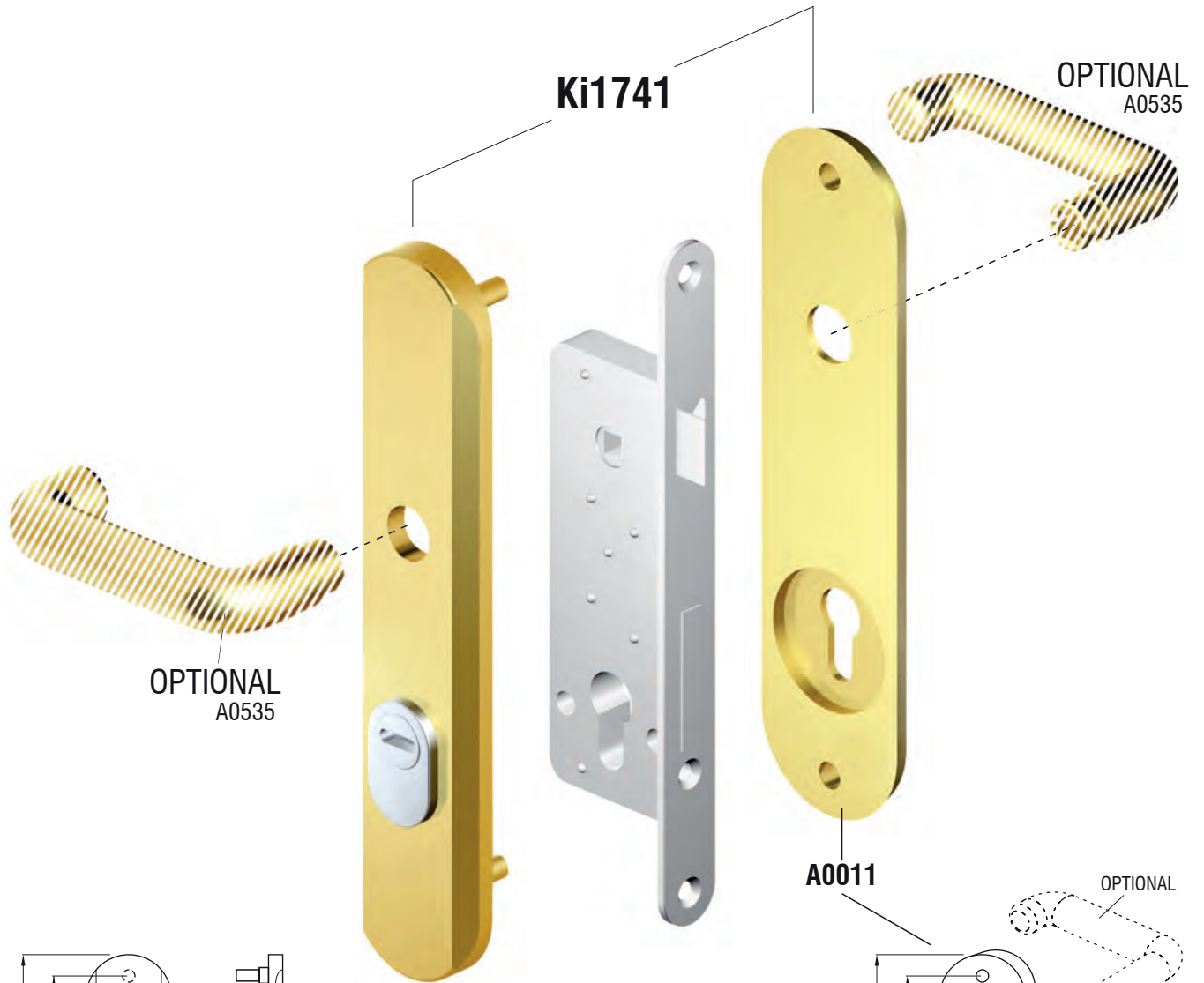
MGB520SK



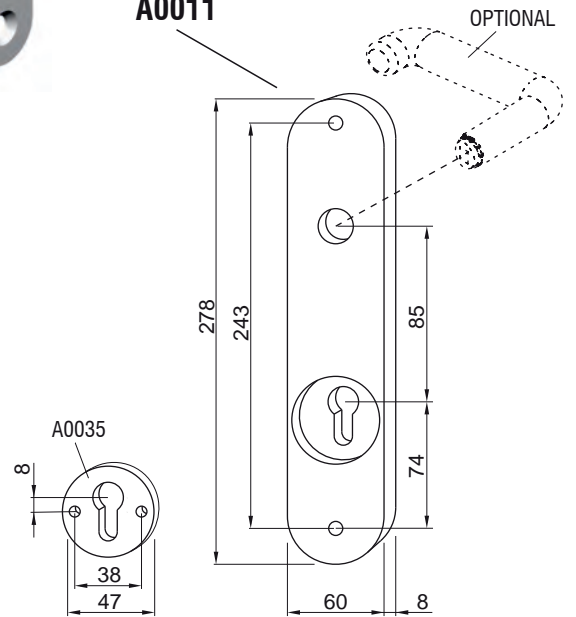
MGB550SK



- | | | |
|---|---|---|
| <input type="checkbox"/> W Bianco RAL 9010
White RAL 9010 | <input type="checkbox"/> N Nero
Black | <input type="checkbox"/> A Champagne anodizzato
Anodized champagne |
| <input type="checkbox"/> C Cromo lucido
Bright chrome | <input type="checkbox"/> 8 PVD Nero lucido
PVD Bright black | <input checked="" type="checkbox"/> 9 Oro anodizzato
Anodized gold |
| <input type="checkbox"/> T Cromo satinato
Satin chrome | <input type="checkbox"/> T8 PVD Nero antracite
PVD Satin black | <input type="checkbox"/> 2 PVD Ottone
PVD Brass |
| <input checked="" type="checkbox"/> 6 Argento anodizzato
Anodized silver | <input checked="" type="checkbox"/> B Bronzo
Bronze | <input type="checkbox"/> L Ottone lucido
Bright brass |
| <input type="checkbox"/> IT Inox satinato
Satin stainless steel | <input type="checkbox"/> BS Bronzo satinato
Satin bronze | <input type="checkbox"/> TT Ottone satinato
Satin brass |

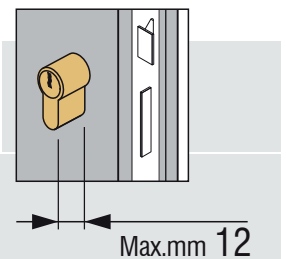


A1741



A0035

- | | | | | | |
|---------------------------------------|--|---------------------------------------|---------------------------------------|---------------------------------------|--|
| <input type="checkbox"/> W | Bianco RAL 9010
White RAL 9010 | <input type="checkbox"/> N | Nero
Black | <input type="checkbox"/> A | Champagne anodizzato
Anodized champagne |
| <input checked="" type="checkbox"/> C | Cromo lucido
Bright chrome | <input type="checkbox"/> 8 | PVD Nero lucido
PVD Bright black | <input type="checkbox"/> 9 | Oro anodizzato
Anodized gold |
| <input checked="" type="checkbox"/> T | Cromo satinato
Satin chrome | <input type="checkbox"/> T8 | PVD Nero antracite
PVD Satin black | <input checked="" type="checkbox"/> 2 | PVD Ottone
PVD Brass |
| <input type="checkbox"/> 6 | Argento anodizzato
Anodized silver | <input checked="" type="checkbox"/> B | Bronzo
Bronze | <input type="checkbox"/> L | Ottone lucido
Bright brass |
| <input type="checkbox"/> IT | Inox satinato
Satin stainless steel | <input type="checkbox"/> BS | Bronzo satinato
Satin bronze | <input type="checkbox"/> TT | Ottone satinato
Satin brass |



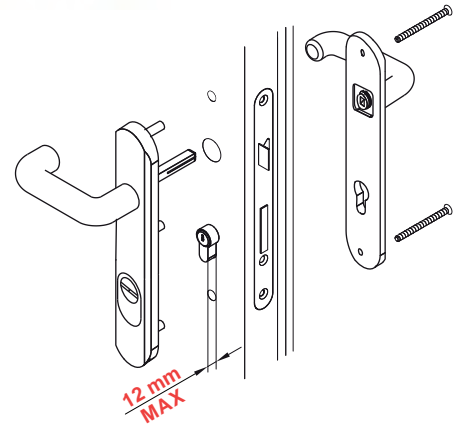
Max.mm 12



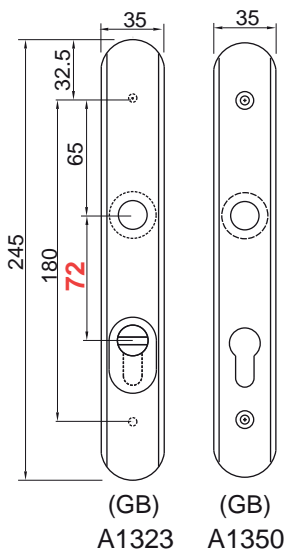
OP34 F....D
35 mm



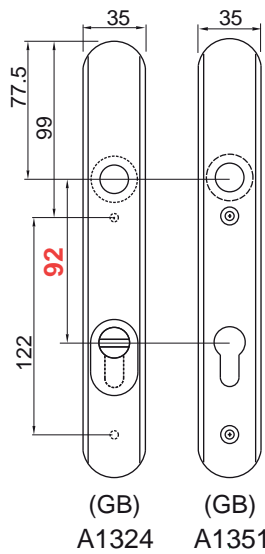
OP63L
35 mm



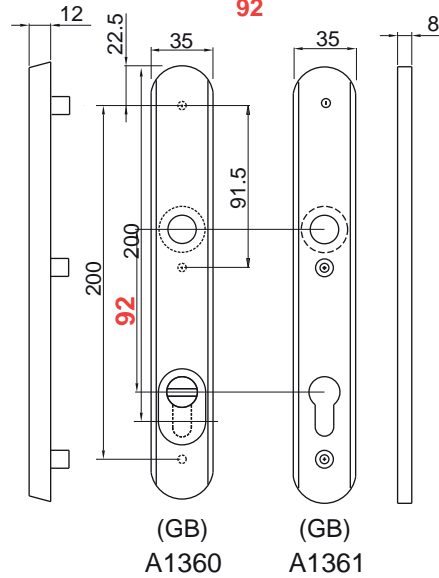
OP34..G
72



OP63..D
92

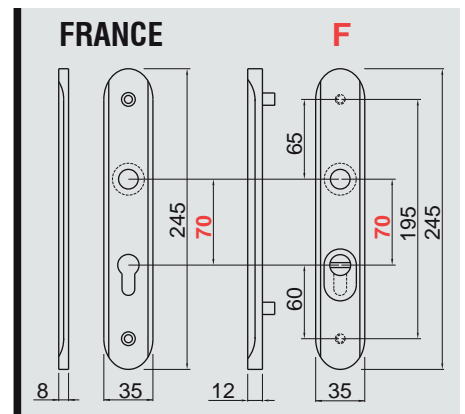
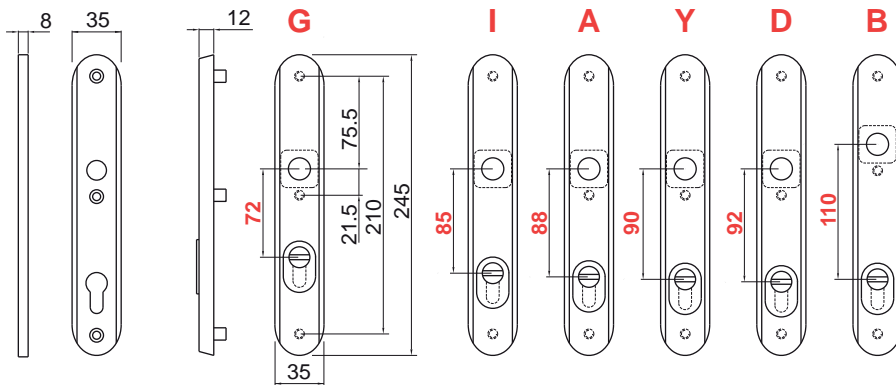
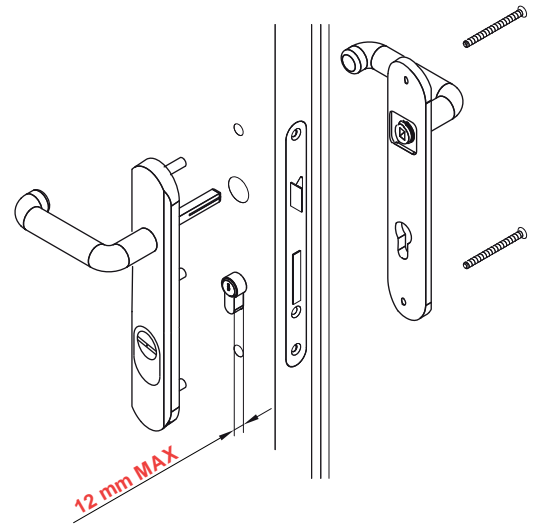


OP34..D
92



- | | | |
|---|---|---|
| <input type="checkbox"/> W Bianco RAL 9010
White RAL 9010 | <input type="checkbox"/> N Nero
Black | <input type="checkbox"/> A Champagne anodizzato
Anodized champagne |
| <input type="checkbox"/> C Cromo lucido
Bright chrome | <input type="checkbox"/> 8 PVD Nero lucido
PVD Bright black | <input checked="" type="checkbox"/> 9 Oro anodizzato
Anodized gold |
| <input type="checkbox"/> T Cromo satinato
Satin chrome | <input type="checkbox"/> T8 PVD Nero antracite
PVD Satin black | <input checked="" type="checkbox"/> 2 PVD Ottone
PVD Brass |
| <input checked="" type="checkbox"/> 6 Argento anodizzato
Anodized silver | <input checked="" type="checkbox"/> B Bronzo
Bronze | <input type="checkbox"/> L Ottone lucido
Bright brass |
| <input type="checkbox"/> IT Inox satinato
Satin stainless steel | <input type="checkbox"/> BS Bronzo satinato
Satin bronze | <input type="checkbox"/> TT Ottone satinato
Satin brass |





- W** Bianco RAL 9010
White RAL 9010
- C** Cromo lucido
Bright chrome
- T** Cromo satinato
Satin chrome
- 6** Argento anodizzato
Anodized silver
- IT** Inox satinato
Satin stainless steel

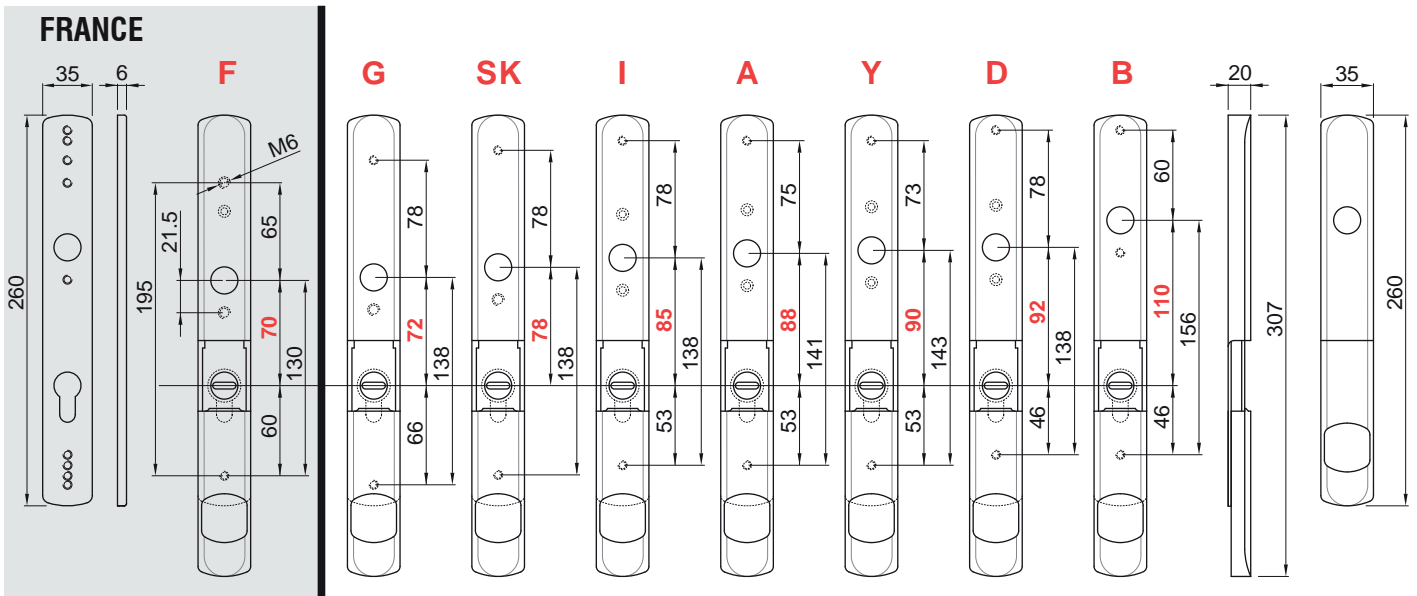
- N** Nero
Black
- 8** PVD Nero lucido
PVD Bright black
- 18** PVD Nero antracite
PVD Satin black
- B** Bronzo
Bronze
- BS** Bronzo satinato
Satin bronze

- A** Champagne anodizzato
Anodized champagne
- 9** Oro anodizzato
Anodized gold
- 2** PVD Ottone
PVD Brass
- L** Ottone lucido
Bright brass
- TT** Ottone satinato
Satin brass

Standard
S1
3.5

Dom
D1
5





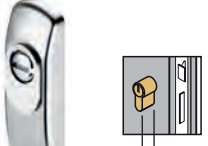


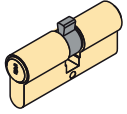

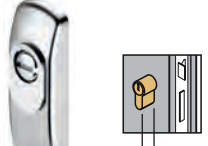


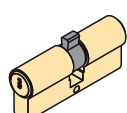

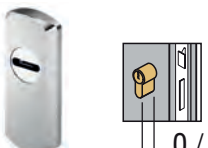

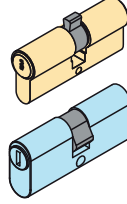

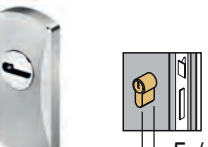

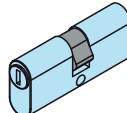



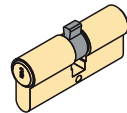

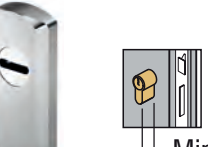

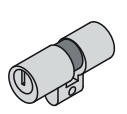

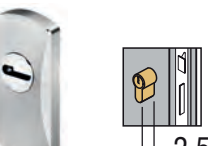

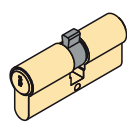

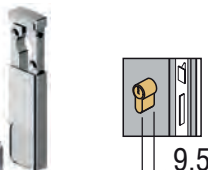
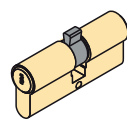
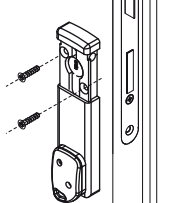
- | | | |
|--|--|--|
| <input type="checkbox"/> W Bianco RAL 9010
White RAL 9010 | <input type="checkbox"/> N Nero
Black | <input type="checkbox"/> A Champagne anodizzato
Anodized champagne |
| <input type="checkbox"/> C Cromo lucido
Bright chrome | <input type="checkbox"/> 8 PVD Nero lucido
PVD Bright black | <input checked="" type="checkbox"/> 9 Oro anodizzato
Anodized gold |
| <input type="checkbox"/> T Cromo satinato
Satin chrome | <input type="checkbox"/> T8 PVD Nero antracite
PVD Satin black | <input type="checkbox"/> 2 PVD Ottone
PVD Brass |
| <input checked="" type="checkbox"/> 6 Argento anodizzato
Anodized silver | <input checked="" type="checkbox"/> B Bronzo
Bronze | <input type="checkbox"/> L Ottone lucido
Bright brass |
| <input type="checkbox"/> IT Inox satinato
Satin stainless steel | <input type="checkbox"/> BS Bronzo satinato
Satin bronze | <input type="checkbox"/> TT Ottone satinato
Satin brass |

PROFILI STRETTI

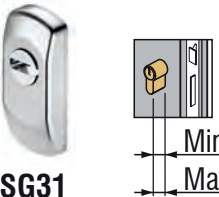

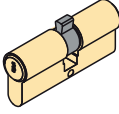



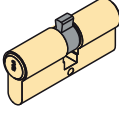



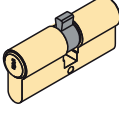

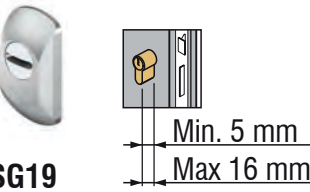

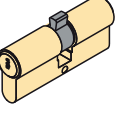



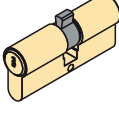



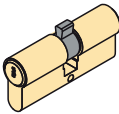

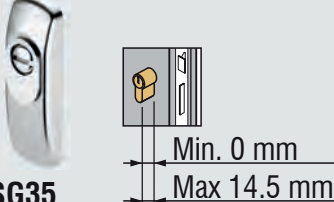

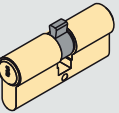



Narrow profiles

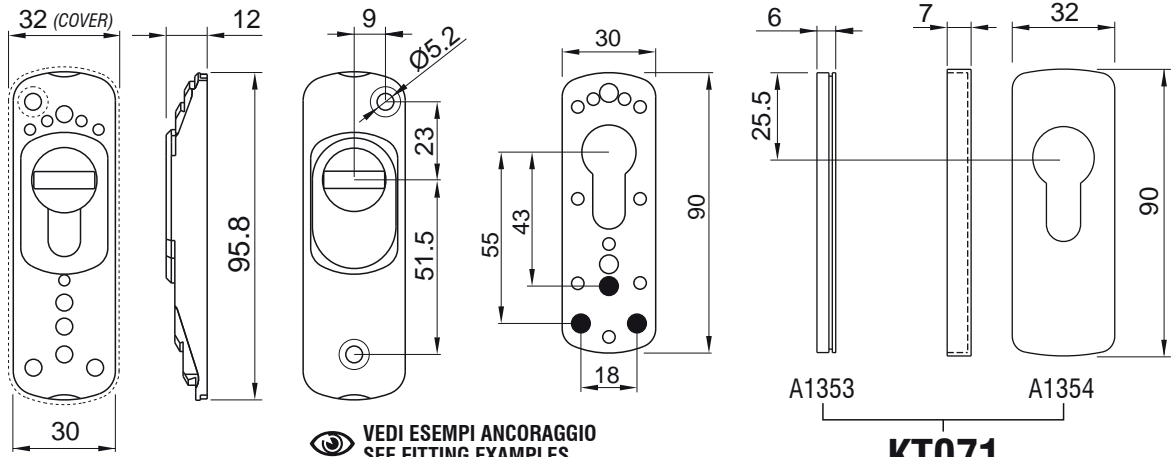
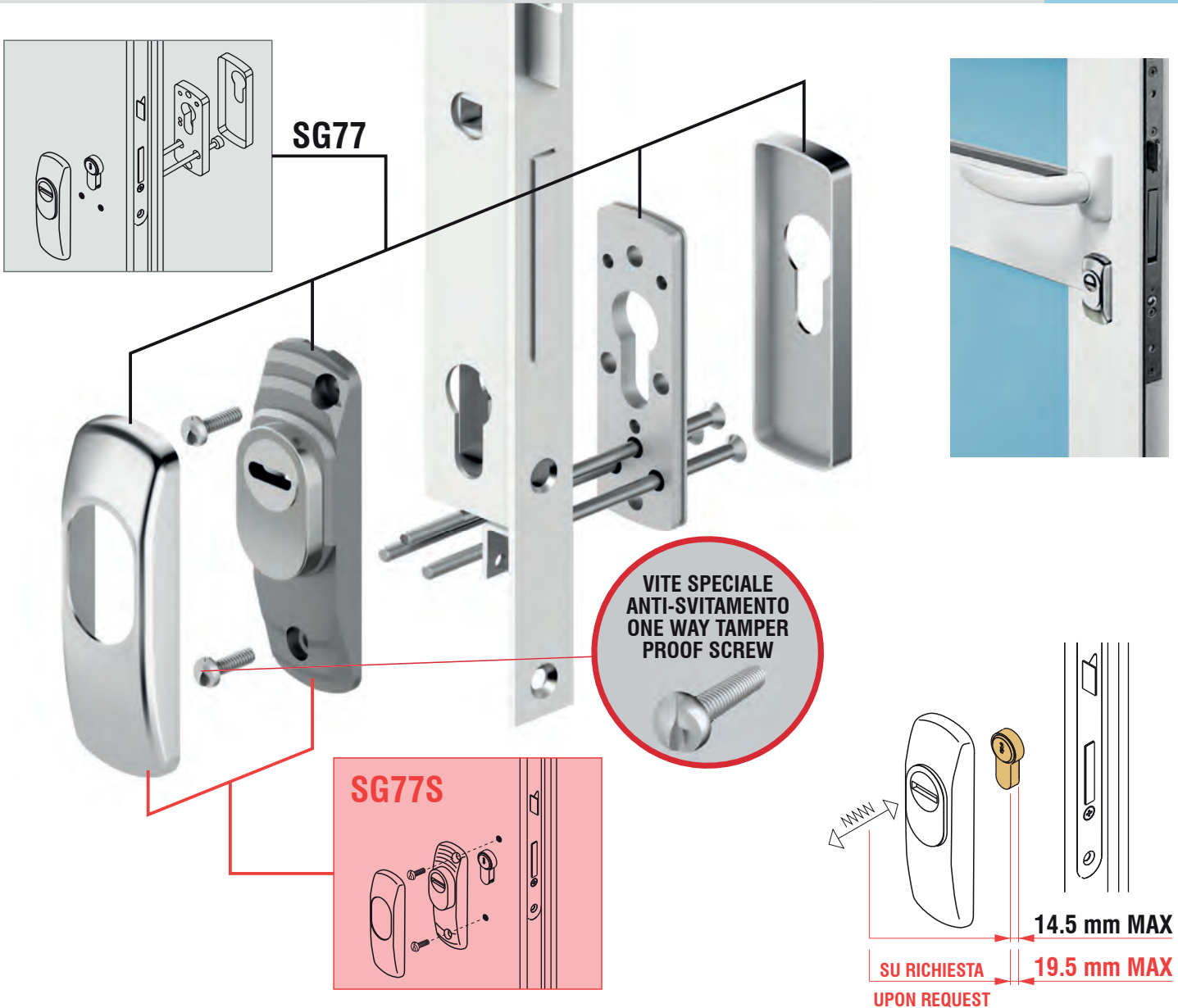




 <p>SG77 14.5 mm Max</p>	 <p>MGSG77 11.5 mm Max</p>			
 <p>SG77S 14.5 mm Max</p>	 <p>MGSG77S 11.5 mm Max</p>			
 <p>SG02 0 / 2 mm > 2 mm</p>				
 <p>SG04 5 / 7 mm > 7 mm</p>				
 <p>SG10 Min. 5 mm Max 8 mm</p>				
 <p>SG10SK Min. 5 mm Max 8 mm</p>				
 <p>SG08 2.5 / 7 mm MAX</p>				
 <p>MG030 9.5 mm MAX</p>				

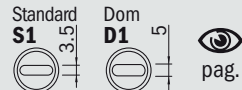


 <p>SG31 Min. 0 mm Max 5 mm</p>			
 <p>SG15 Min. 5 mm Max 14.5 mm</p> <p>MGSG15 Min. 5 mm Max 11.5 mm</p>			
 <p>SG18 Min. 0 mm Max 14.5 mm</p> <p>MGSG18 11.5 mm Max</p>			
 <p>SG19 Min. 5 mm Max 16 mm</p>			
 <p>SG33 14 mm Max</p> <p>MGSG33 6 mm Max</p> <p>X SERR. MULTIPUNTO: CISA - ISEO - OMEC</p>			
 <p>BD99 12 mm Max</p> <p>BD100 0-3 mm Max</p> <p>X SERR. MULTIPUNTO: CISA - ISEO - OMEC</p>			
 <p>SG35 Min. 0 mm Max 14.5 mm</p> <p>A SALDARE FOR WELDING</p>			
 <p>GG..</p>	 <p>GG0600..</p>		



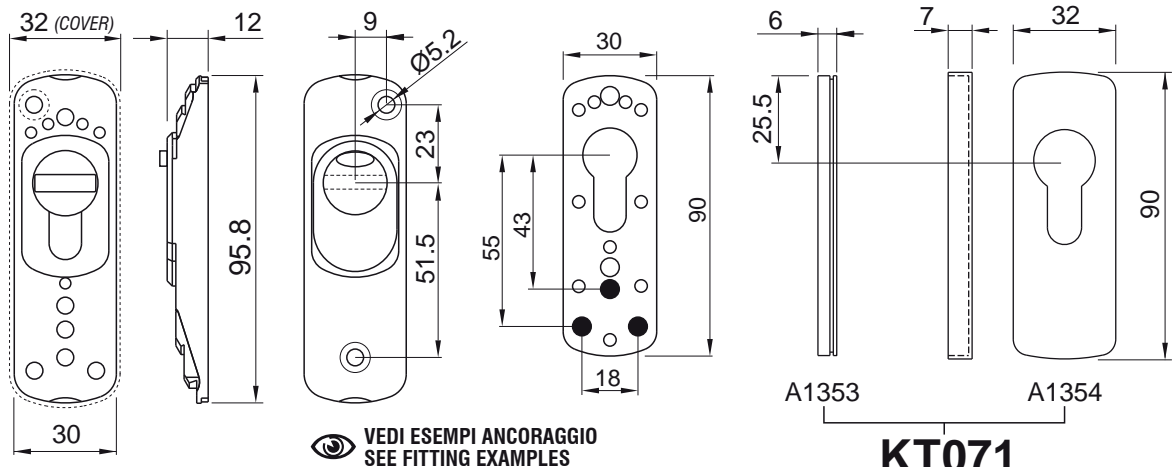
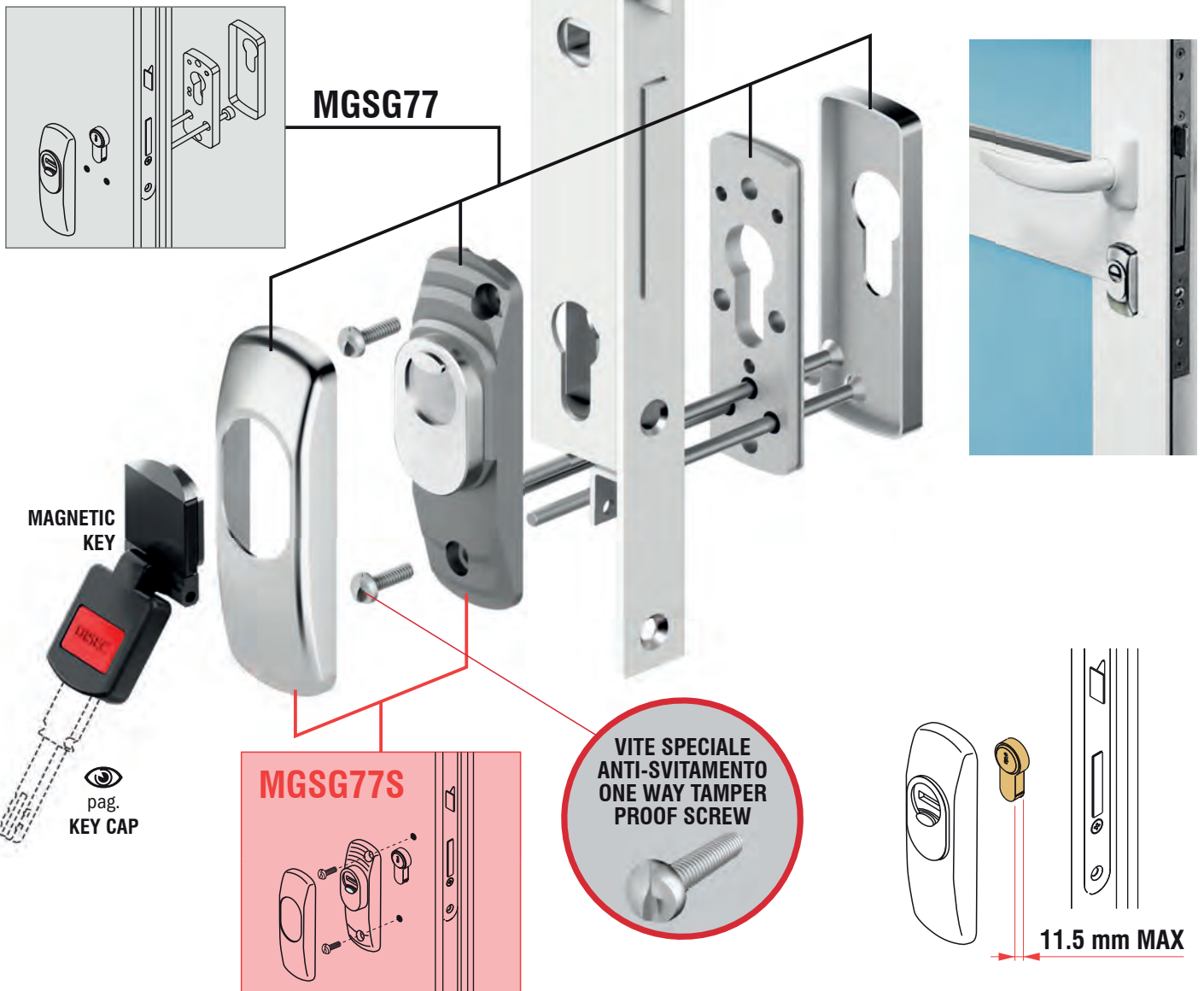
VEDI ESEMPI ANCORAGGIO
SEE FITTING EXAMPLES

- | | | |
|--|--|--|
| <input checked="" type="checkbox"/> W Bianco RAL 9010
White RAL 9010 | <input checked="" type="checkbox"/> N Nero
Black | <input type="checkbox"/> A Champagne anodizzato
Anodized champagne |
| <input checked="" type="checkbox"/> C Cromo lucido
Bright chrome | <input type="checkbox"/> 8 PVD Nero lucido
PVD Bright black | <input type="checkbox"/> 9 Oro anodizzato
Anodized gold |
| <input checked="" type="checkbox"/> T Cromo satinato
Satin chrome | <input type="checkbox"/> 18 PVD Nero antracite
PVD Satin black | <input checked="" type="checkbox"/> 2 PVD Ottone
PVD Brass |
| <input type="checkbox"/> 6 Argento anodizzato
Anodized silver | <input checked="" type="checkbox"/> B Bronzo
Bronze | <input type="checkbox"/> L Ottone lucido
Bright brass |
| <input checked="" type="checkbox"/> IT Inox satinato
Satin stainless steel | <input type="checkbox"/> BS Bronzo satinato
Satin bronze | <input type="checkbox"/> TT Ottone satinato
Satin brass |



VIDEO:





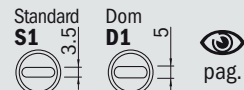
VEDI ESEMPI ANCORAGGIO
SEE FITTING EXAMPLES

KT071

- W** Bianco RAL 9010
White RAL 9010
- C** Cromo lucido
Bright chrome
- T** Cromo satinato
Satin chrome
- 6** Argento anodizzato
Anodized silver
- IT** Inox satinato
Satin stainless steel

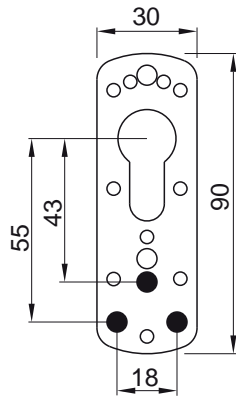
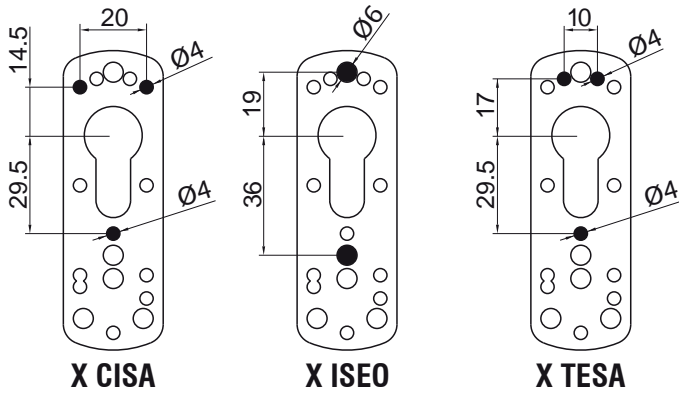
- N** Nero
Black
- 8** PVD Nero lucido
PVD Bright black
- T8** PVD Nero antracite
PVD Satin black
- B** Bronzo
Bronze
- BS** Bronzo satinato
Satin bronze

- A** Champagne anodizzato
Anodized champagne
- 9** Oro anodizzato
Anodized gold
- 2** PVD Ottone
PVD Brass
- L** Ottone lucido
Bright brass
- TT** Ottone satinato
Satin brass



VIDEO:



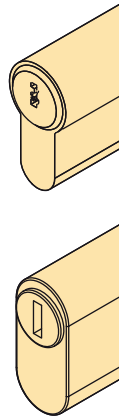


VIDEO:



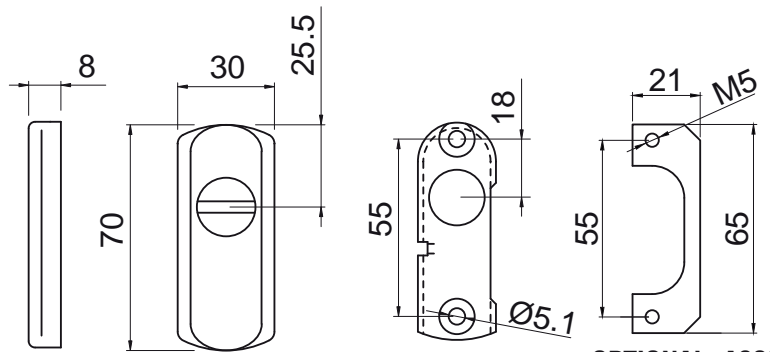


PAT. PEND.

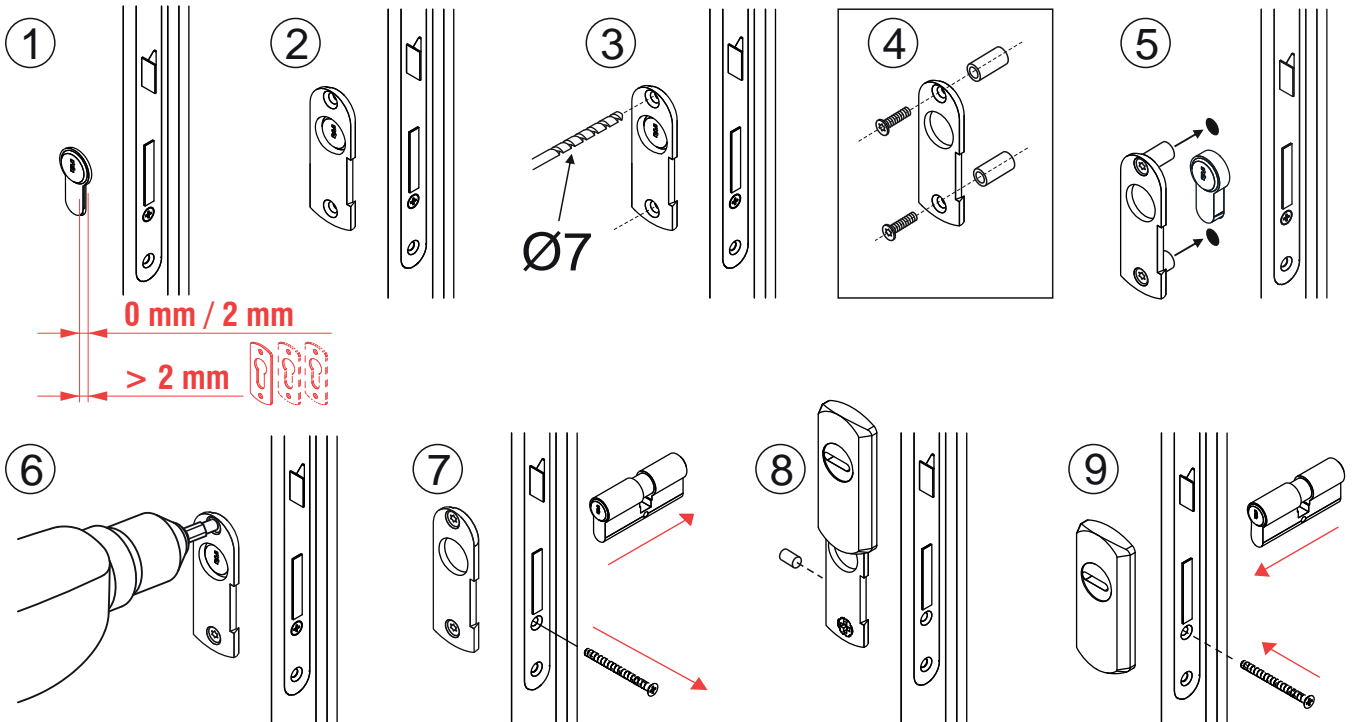


SG02..

VIDEO:



OPTIONAL A3281



0 mm / 2 mm
> 2 mm

- W Bianco RAL 9010
White RAL 9010
- C Cromo lucido
Bright chrome
- T Cromo satinato
Satin chrome
- 6 Argento anodizzato
Anodized silver
- IT Inox satinato
Satin stainless steel

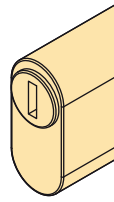
- N Nero
Black
- 8 PVD Nero lucido
PVD Bright black
- T8 PVD Nero antracite
PVD Satin black
- B Bronzo
Bronze
- BS Bronzo satinato
Satin bronze

- A Champagne anodizzato
Anodized champagne
- 9 Oro anodizzato
Anodized gold
- 2 PVD Ottone
PVD Brass
- L Ottone lucido
Bright brass
- TT Ottone satinato
Satin brass



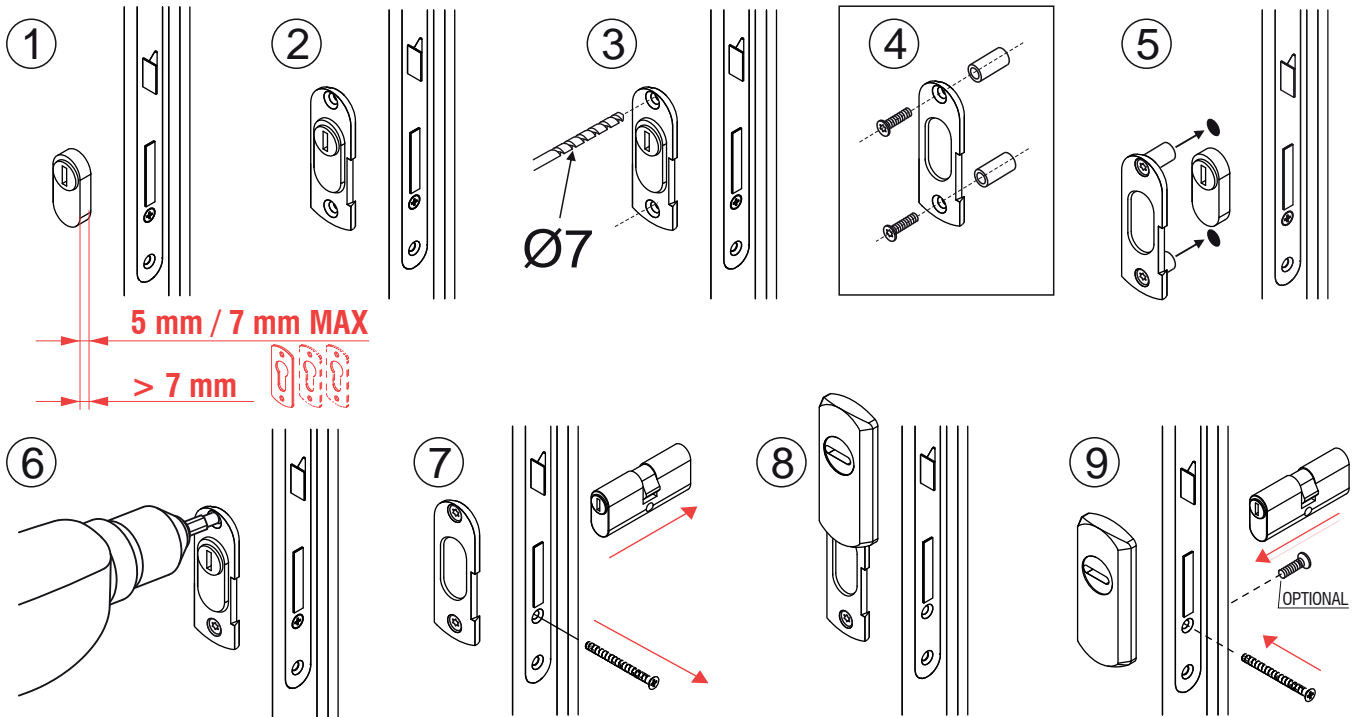
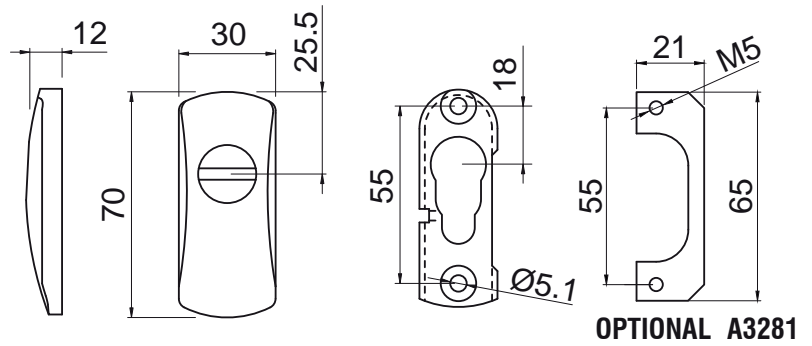


PAT. PEND.



SG04..

VIDEO:



- W Bianco RAL 9010
White RAL 9010
- C Cromo lucido
Bright chrome
- T Cromo satinato
Satin chrome
- 6 Argento anodizzato
Anodized silver
- IT Inox satinato
Satin stainless steel

- N Nero
Black
- 8 PVD Nero lucido
PVD Bright black
- T8 PVD Nero antracite
PVD Satin black
- B Bronzo
Bronze
- BS Bronzo satinato
Satin bronze

- A Champagne anodizzato
Anodized champagne
- 9 Oro anodizzato
Anodized gold
- 2 PVD Ottone
PVD Brass
- L Ottone lucido
Bright brass
- TT Ottone satinato
Satin brass

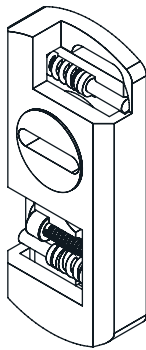




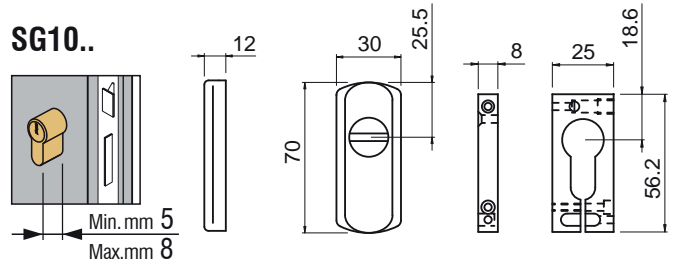
PAT. PEND.



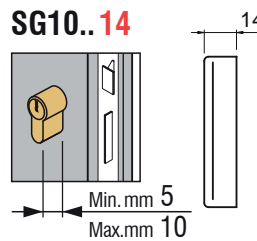
SG10..



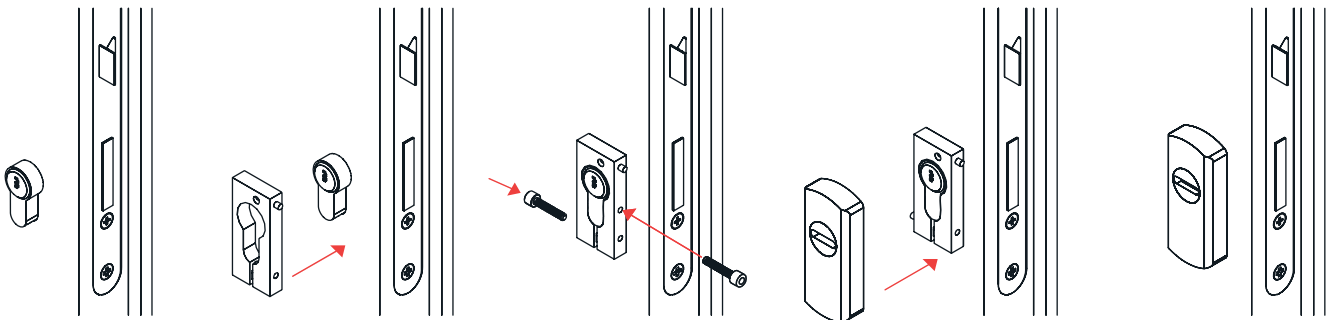
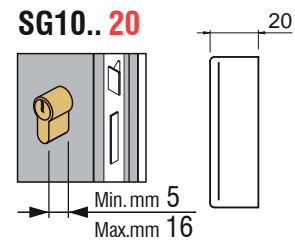
SG10..



SG10..14



SG10..20



Borchia di protezione da applicare a morsetto sul cilindro. Montaggio semplificato per il fai da te. Da applicare a morsetto sul cilindro.

Do it yourself. Surface mounted cylinder protector. Simplified fitting. To be applied with clamp on the cylinder.

- W** Bianco Ral 9010
White Ral 9010
- C** Cromo lucido
Bright Chrome
- T** Cromo satinato
Satin Chrome
- 6** Argento anodizzato
Anodized Silver
- IT** Inox satinato
Stainless steel

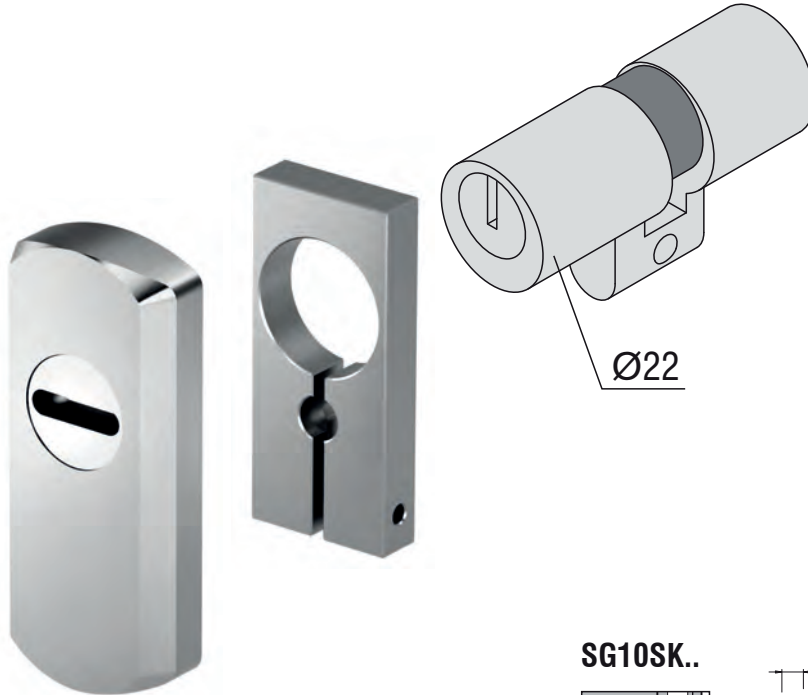
- N** Nero
Black
- 8** PVD Nero lucido
PVD Bright black
- T8** PVD Nero antracite
PVD Satin Black
- B** Bronzo
Bronze
- BS** Bronzo satinato
Satin Bronze

- A** Champagne anodizzato
Anodized champagne
- 9** Oro anodizzato
Anodized Gold
- 2** PVD Ottone
PVD Brass
- L** Ottone lucido
Bright Brass
- TT** Ottone satinato
Satin Brass

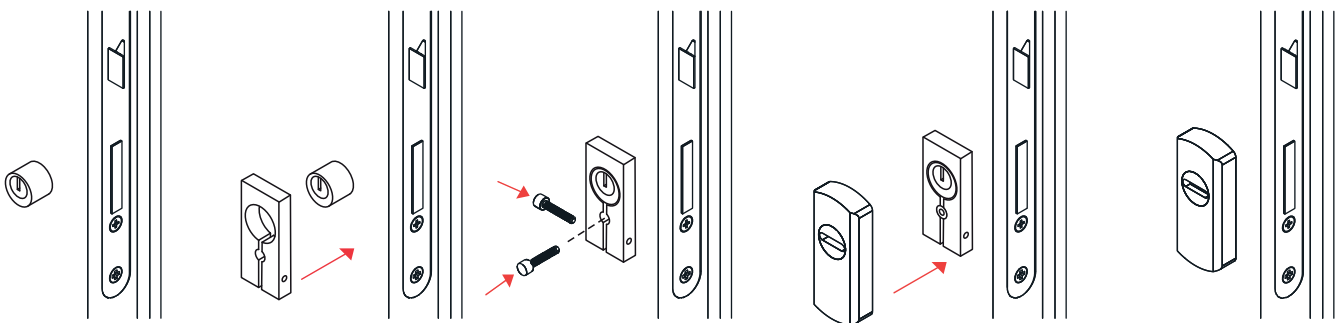
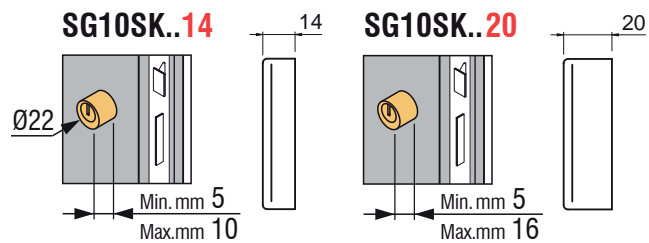
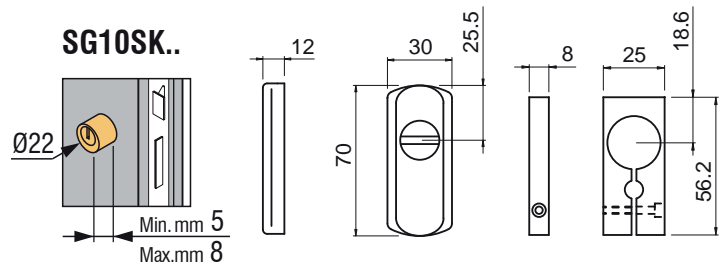
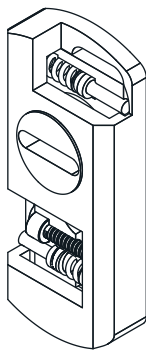




PAT. PEND.



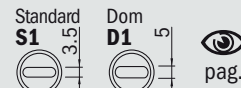
SG10SK..



Borchia di protezione da applicare a morsetto sul cilindro. Montaggio semplificato per il fai da te. Da applicare a morsetto sul cilindro.

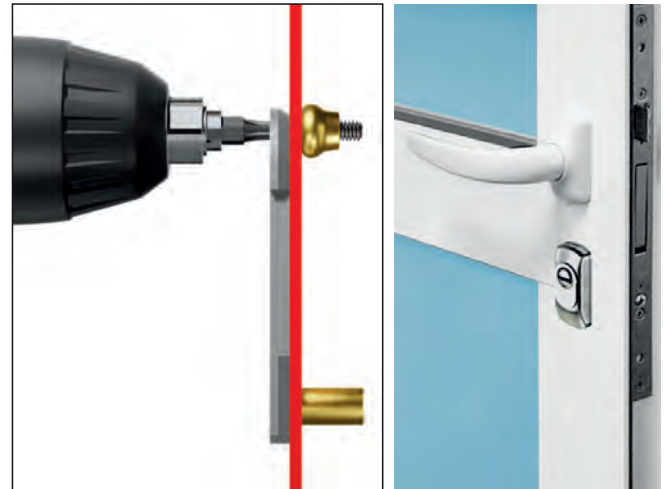
Do it yourself. Surface mounted cylinder protector. Simplified fitting. To be applied with clamp on the cylinder.

- | | | |
|--|--|--|
| <input checked="" type="checkbox"/> W Bianco RAL 9010
White RAL 9010 | <input checked="" type="checkbox"/> N Nero
Black | <input type="checkbox"/> A Champagne anodizzato
Anodized champagne |
| <input checked="" type="checkbox"/> C Cromo lucido
Bright chrome | <input type="checkbox"/> 8 PVD Nero lucido
PVD Bright black | <input checked="" type="checkbox"/> 9 Oro anodizzato
Anodized gold |
| <input checked="" type="checkbox"/> T Cromo satinato
Satin chrome | <input type="checkbox"/> T8 PVD Nero antracite
PVD Satin black | <input checked="" type="checkbox"/> 2 PVD Ottone
PVD Brass |
| <input checked="" type="checkbox"/> 6 Argento anodizzato
Anodized silver | <input checked="" type="checkbox"/> B Bronzo
Bronze | <input checked="" type="checkbox"/> L Ottone lucido
Bright brass |
| <input type="checkbox"/> IT Inox satinato
Satin stainless steel | <input type="checkbox"/> BS Bronzo satinato
Satin bronze | <input type="checkbox"/> TT Ottone satinato
Satin brass |



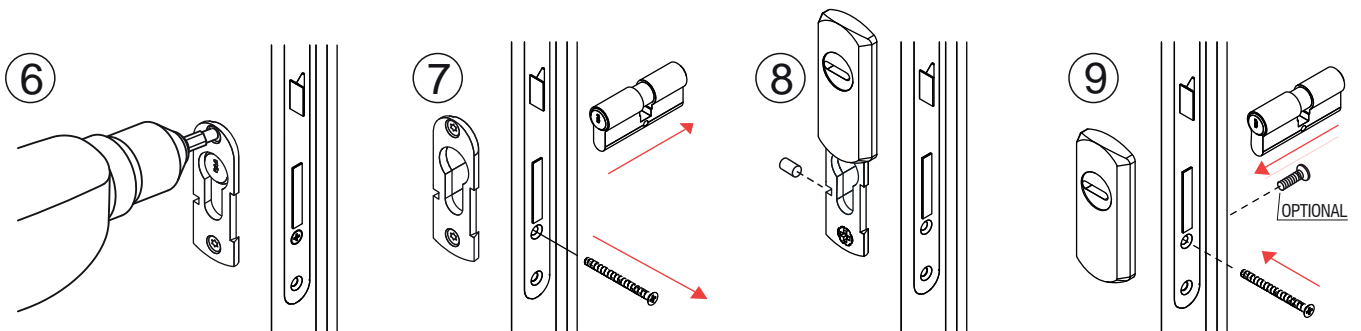
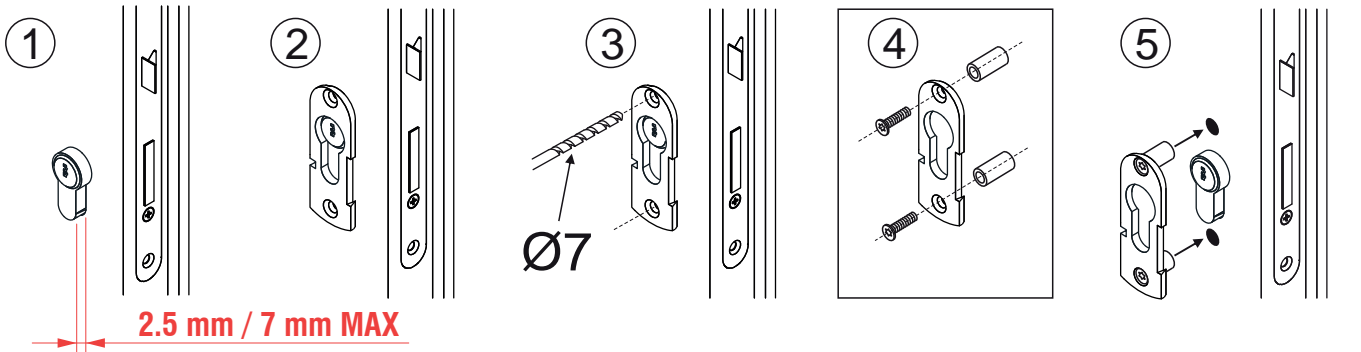
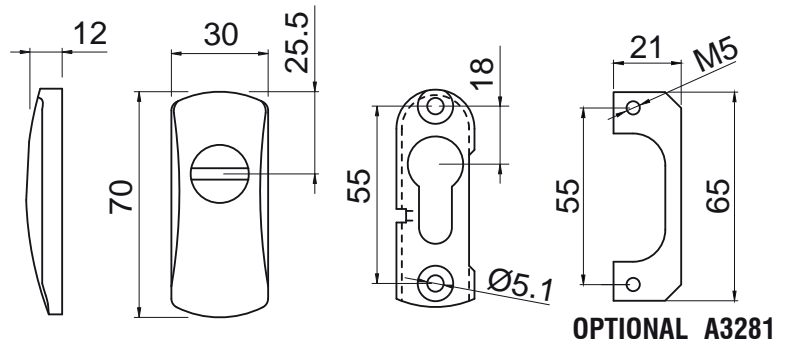


PAT. PEND.



SG08..

VIDEO:



- W** Bianco RAL 9010
White RAL 9010
- C** Cromo lucido
Bright chrome
- T** Cromo satinato
Satin chrome
- 6** Argento anodizzato
Anodized silver
- IT** Inox satinato
Satin stainless steel

- N** Nero
Black
- 8** PVD Nero lucido
PVD Bright black
- T8** PVD Nero antracite
PVD Satin black
- B** Bronzo
Bronze
- BS** Bronzo satinato
Satin bronze

- A** Champagne anodizzato
Anodized champagne
- 9** Oro anodizzato
Anodized gold
- 2** PVD Ottone
PVD Brass
- L** Ottone lucido
Bright brass
- TT** Ottone satinato
Satin brass

- Standard **S1** 3.5
- Dom **D1** 5
- pag.

- SPESSORI SPACERS**
- A0045 2,5 mm
 - A0036 1 mm
 - A0285 2,5 mm
 - A0284 1 mm

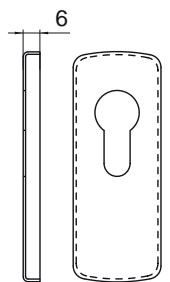
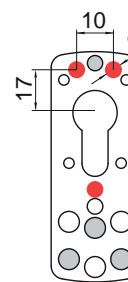
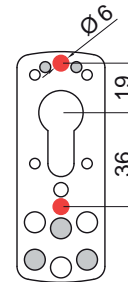
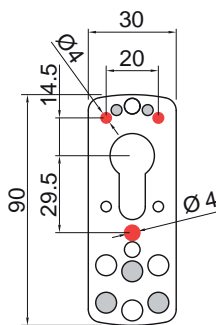
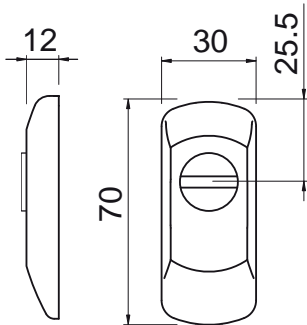
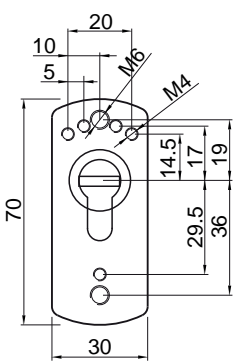
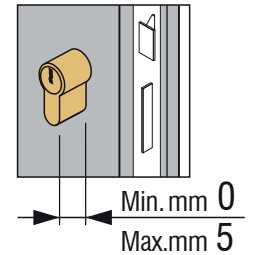
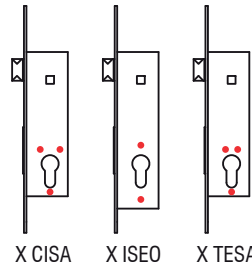
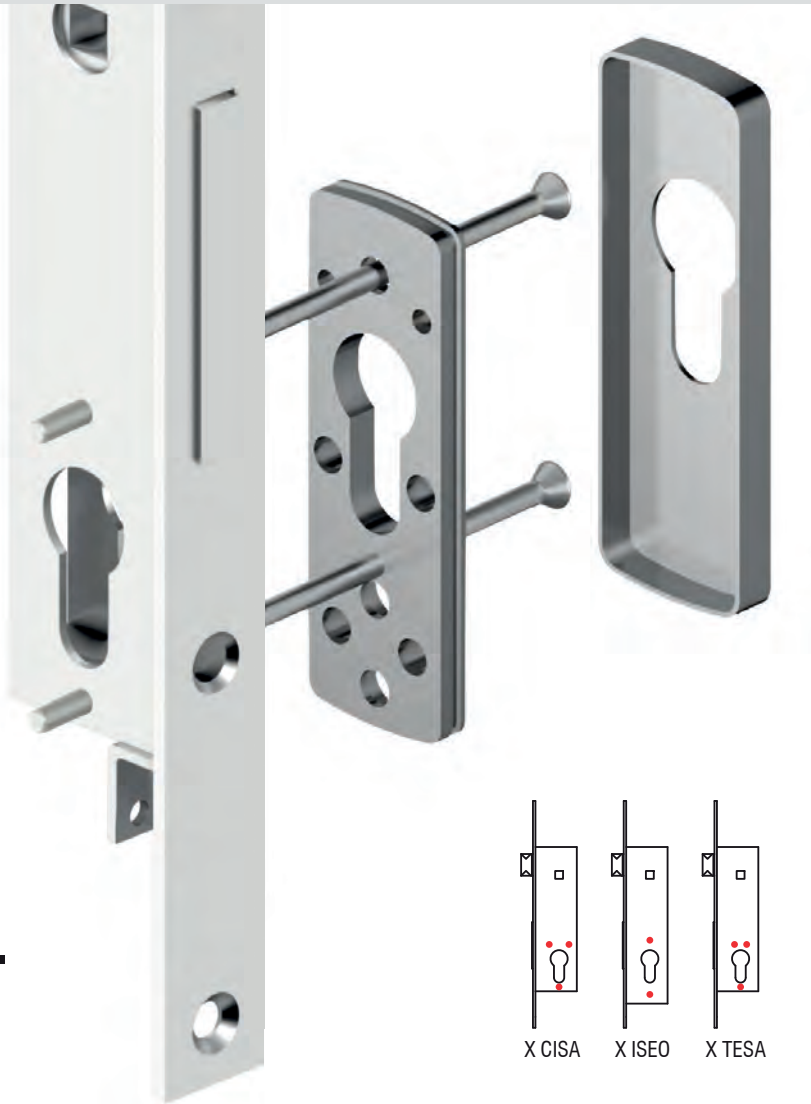


**CERTIFICATO
CLASSE 3**

**CERTIFIED
CLASS 3**



SG31..



A1353
X CISA
serie 16 / 46

A1353
X ISEO
MULTIBLINDO

A1353
X TESA
ASSA-ABLOY

A1354
92 x 32 x 7 h mm

- W Bianco RAL 9010
White RAL 9010
- C Cromo lucido
Bright chrome
- T Cromo satinato
Satin chrome
- 6 Argento anodizzato
Anodized silver
- IT Inox satinato
Satin stainless steel

- N Nero
Black
- 8 PVD Nero lucido
PVD Bright black
- T8 PVD Nero antracite
PVD Satin black
- B Bronzo
Bronze
- BS Bronzo satinato
Satin bronze

- A Champagne anodizzato
Anodized champagne
- 9 Oro anodizzato
Anodized gold
- 2 PVD Ottone
PVD Brass
- L Ottone lucido
Bright brass
- TT Ottone satinato
Satin brass



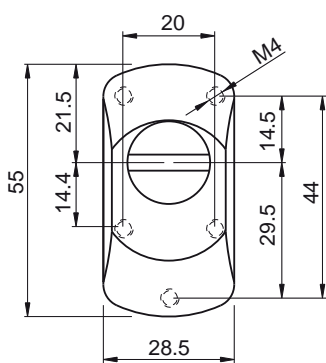
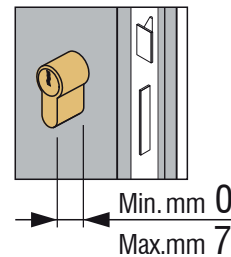
**SPESSORI
SPACERS**



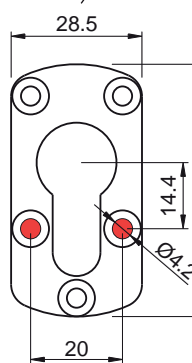
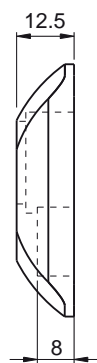


SG19..

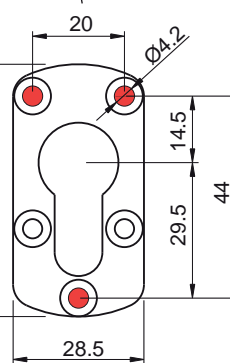
VIDEO:



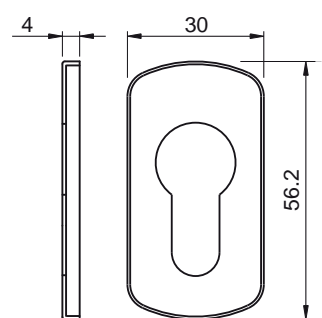
A3274



**A3276
X ASSA**



**A3276
X CISA**



A3275

- W Bianco RAL 9010
White RAL 9010
- C Cromo lucido
Bright chrome
- T Cromo satinato
Satin chrome
- 6 Argento anodizzato
Anodized silver
- IT Inox satinato
Satin stainless steel

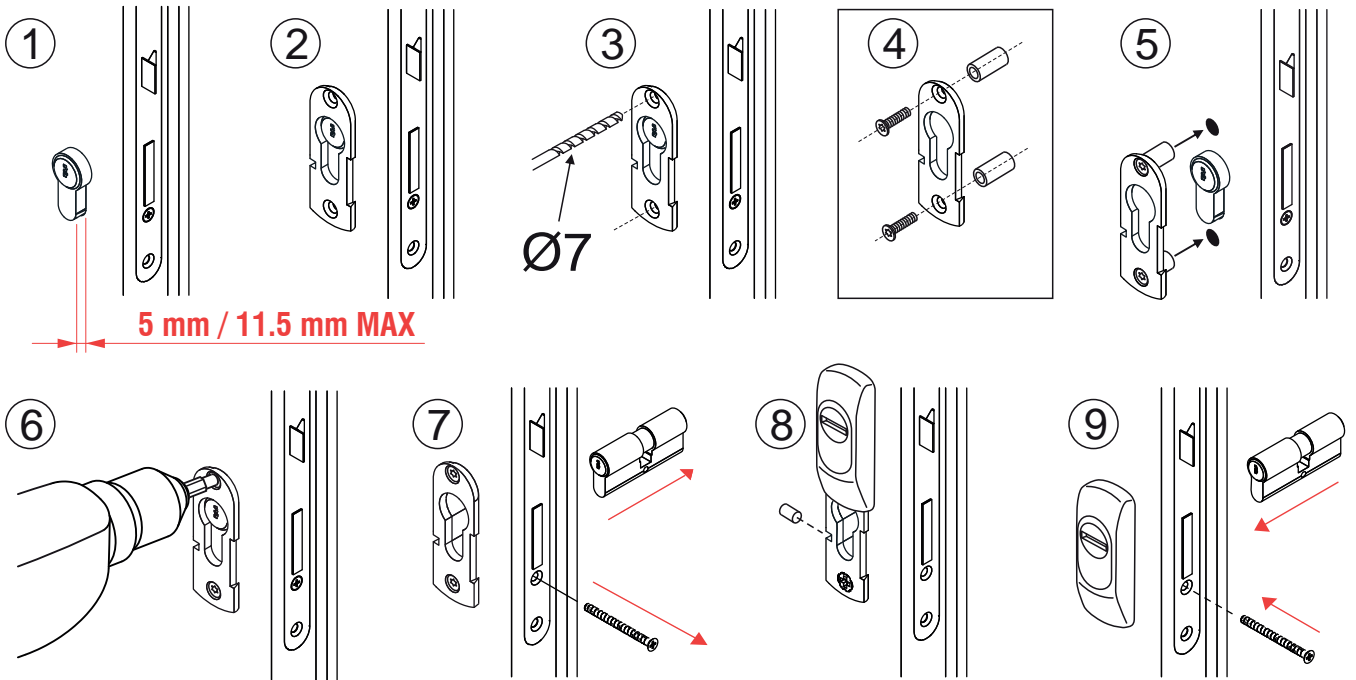
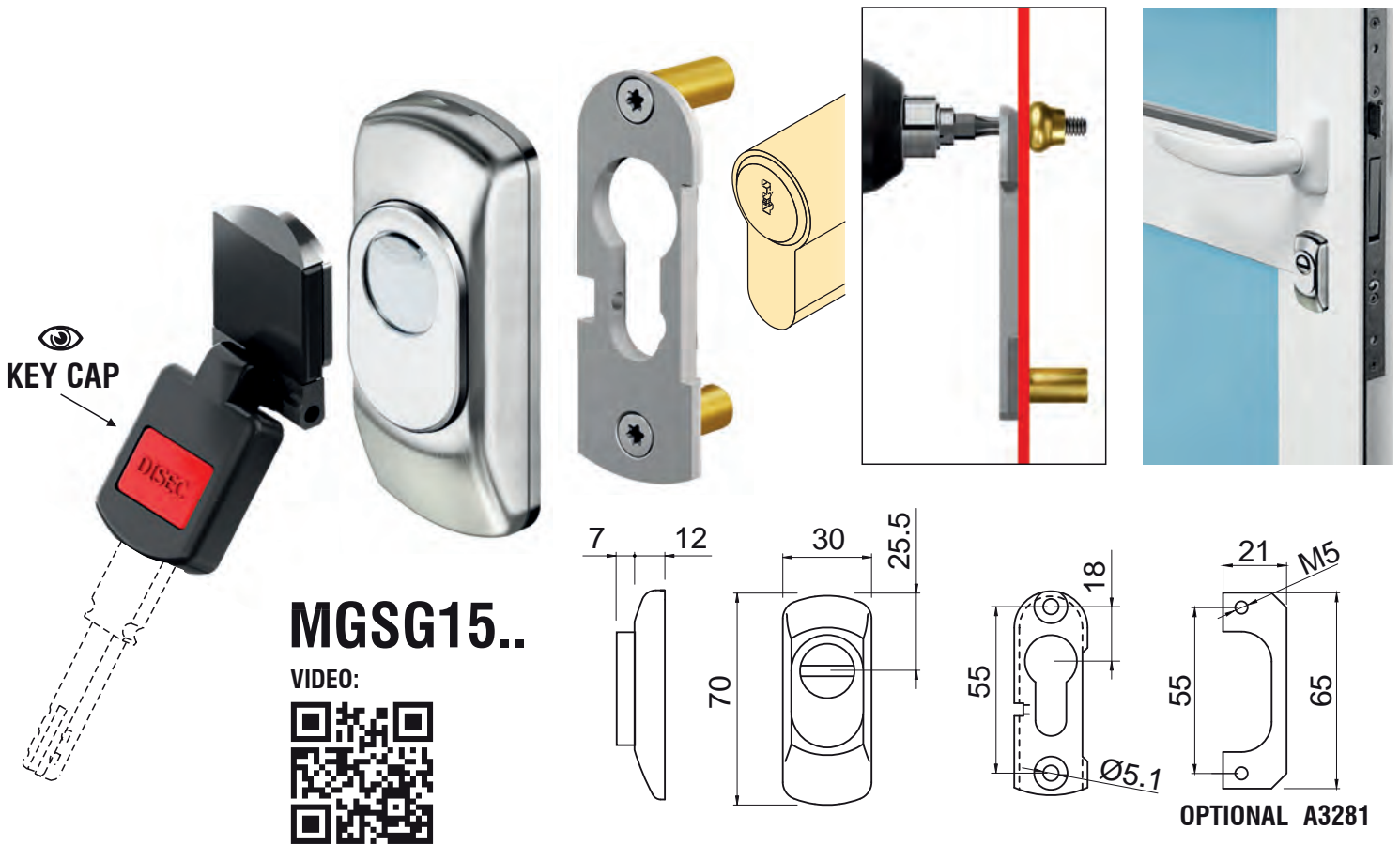
- N Nero
Black
- 8 PVD Nero lucido
PVD Bright black
- T8 PVD Nero antracite
PVD Satin black
- B Bronzo
Bronze
- BS Bronzo satinato
Satin bronze

- A Champagne anodizzato
Anodized champagne
- 9 Oro anodizzato
Anodized gold
- 2 PVD Ottone
PVD Brass
- L Ottone lucido
Bright brass
- TT Ottone satinato
Satin brass

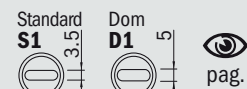




PAT. PEND.

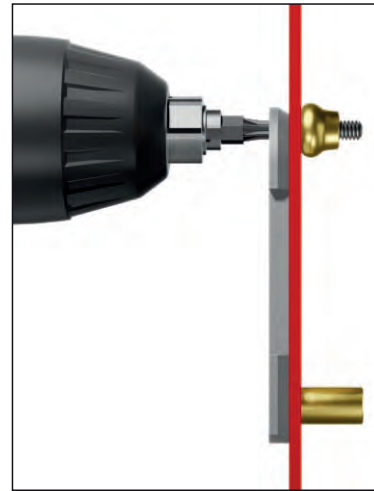
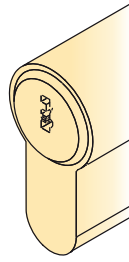


- | | | |
|---|---|---|
| <input type="checkbox"/> W Bianco RAL 9010
White RAL 9010 | <input checked="" type="checkbox"/> N Nero
Black | <input type="checkbox"/> A Champagne anodizzato
Anodized champagne |
| <input checked="" type="checkbox"/> C Cromo lucido
Bright chrome | <input type="checkbox"/> 8 PVD Nero lucido
PVD Bright black | <input type="checkbox"/> 9 Oro anodizzato
Anodized gold |
| <input checked="" type="checkbox"/> T Cromo satinato
Satin chrome | <input type="checkbox"/> T8 PVD Nero antracite
PVD Satin black | <input checked="" type="checkbox"/> 2 PVD Ottone
PVD Brass |
| <input type="checkbox"/> 6 Argento anodizzato
Anodized silver | <input checked="" type="checkbox"/> B Bronzo
Bronze | <input type="checkbox"/> L Ottone lucido
Bright brass |
| <input checked="" type="checkbox"/> IT Inox satinato
Satin stainless steel | <input type="checkbox"/> BS Bronzo satinato
Satin bronze | <input type="checkbox"/> TT Ottone satinato
Satin brass |



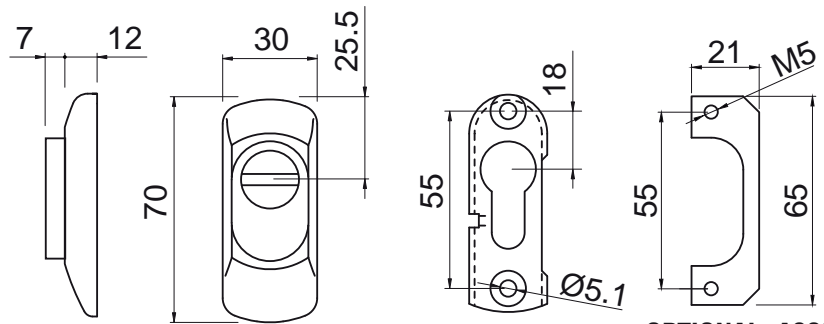


PAT. PEND.

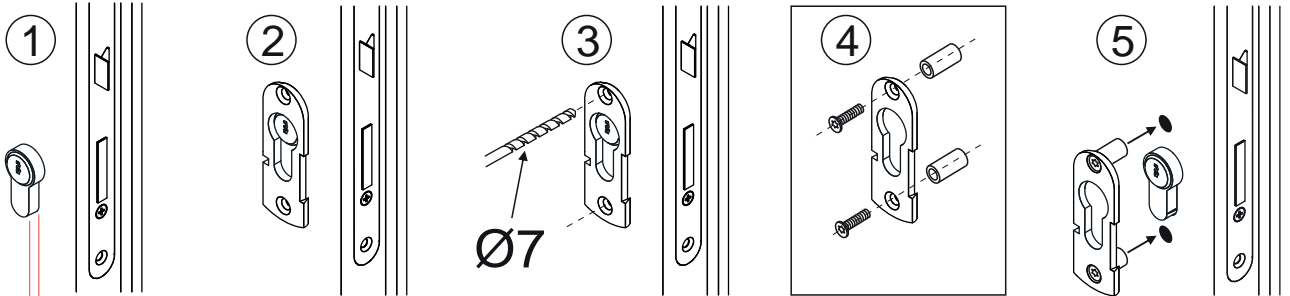


SG15..
SG15-20

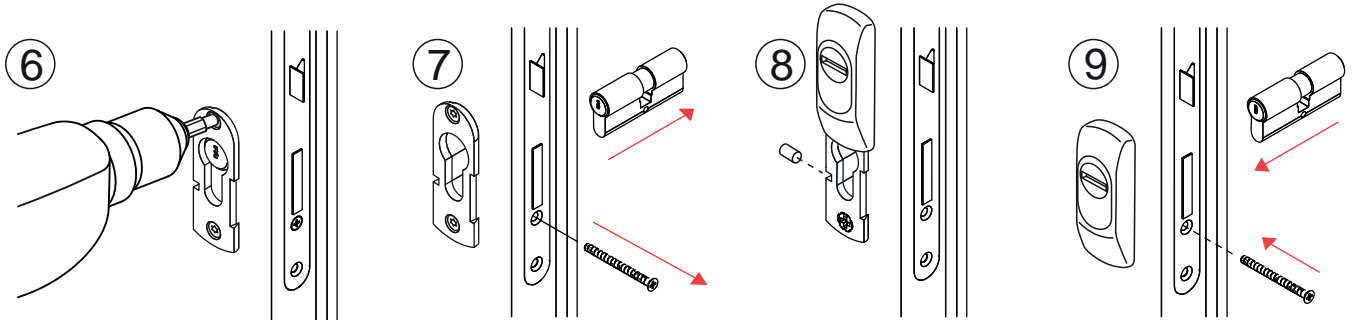
VIDEO:



OPTIONAL A3281



5 mm / 14.5 mm MAX (SG15)
20 mm MAX (SG15-20)



- W Bianco RAL 9010
White RAL 9010
- C Cromo lucido
Bright chrome
- T Cromo satinato
Satin chrome
- 6 Argento anodizzato
Anodized silver
- IT Inox satinato
Satin stainless steel

- N Nero
Black
- 8 PVD Nero lucido
PVD Bright black
- T8 PVD Nero antracite
PVD Satin black
- B Bronzo
Bronze
- BS Bronzo satinato
Satin bronze

- A Champagne anodizzato
Anodized champagne
- 9 Oro anodizzato
Anodized gold
- 2 PVD Ottone
PVD Brass
- L Ottone lucido
Bright brass
- TT Ottone satinato
Satin brass



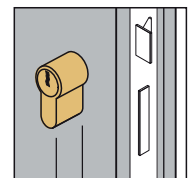
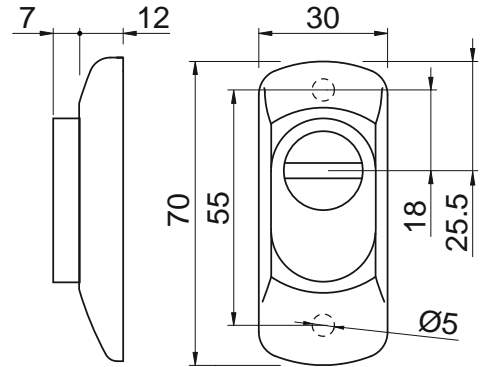


VIDEO:



SG18

**VITE SPECIALE
ANTI-SVITAMENTO
ONE WAY TAMPER
PROOF SCREW**



Min. mm 0
Max. mm 14,5

- | | | |
|---|---|---|
| <input type="checkbox"/> W Bianco RAL 9010
White RAL 9010 | <input checked="" type="checkbox"/> N Nero
Black | <input type="checkbox"/> A Champagne anodizzato
Anodized champagne |
| <input checked="" type="checkbox"/> C Cromo lucido
Bright chrome | <input type="checkbox"/> 8 PVD Nero lucido
PVD Bright black | <input type="checkbox"/> 9 Oro anodizzato
Anodized gold |
| <input checked="" type="checkbox"/> T Cromo satinato
Satin chrome | <input type="checkbox"/> T8 PVD Nero antracite
PVD Satin black | <input checked="" type="checkbox"/> 2 PVD Ottone
PVD Brass |
| <input type="checkbox"/> 6 Argento anodizzato
Anodized silver | <input checked="" type="checkbox"/> B Bronzo
Bronze | <input type="checkbox"/> L Ottone lucido
Bright brass |
| <input checked="" type="checkbox"/> IT Inox satinato
Satin stainless steel | <input type="checkbox"/> BS Bronzo satinato
Satin bronze | <input type="checkbox"/> TT Ottone satinato
Satin brass |

Standard S1 3,5 Dom D1 5 pag.

**SPESSORI
SPACERS**

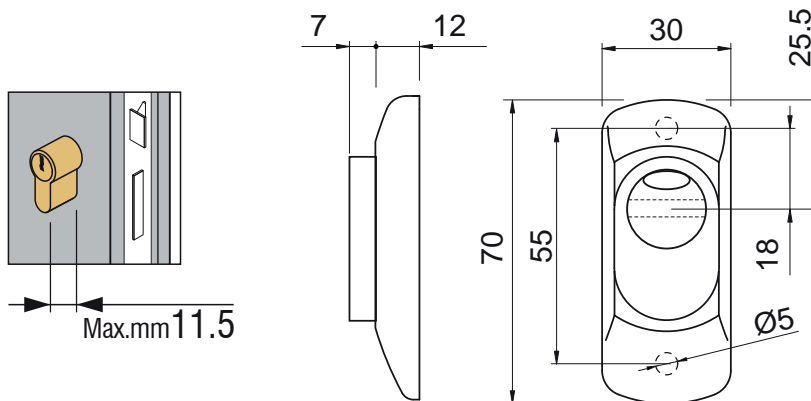




VIDEO:



MGSG18



- W Bianco RAL 9010
White RAL 9010
- C Cromo lucido
Bright chrome
- T Cromo satinato
Satin chrome
- 6 Argento anodizzato
Anodized silver
- IT Inox satinato
Satin stainless steel

- N Nero
Black
- 8 PVD Nero lucido
PVD Bright black
- T8 PVD Nero antracite
PVD Satin black
- B Bronzo
Bronze
- BS Bronzo satinato
Satin bronze

- A Champagne anodizzato
Anodized champagne
- 9 Oro anodizzato
Anodized gold
- 2 PVD Ottone
PVD Brass
- L Ottone lucido
Bright brass
- TT Ottone satinato
Satin brass

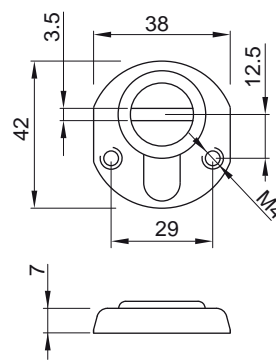
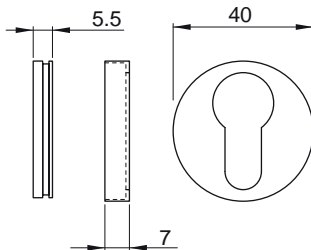
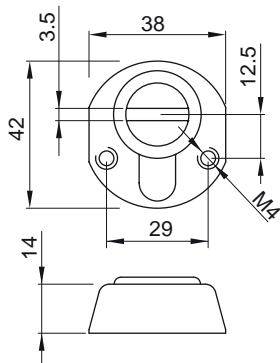
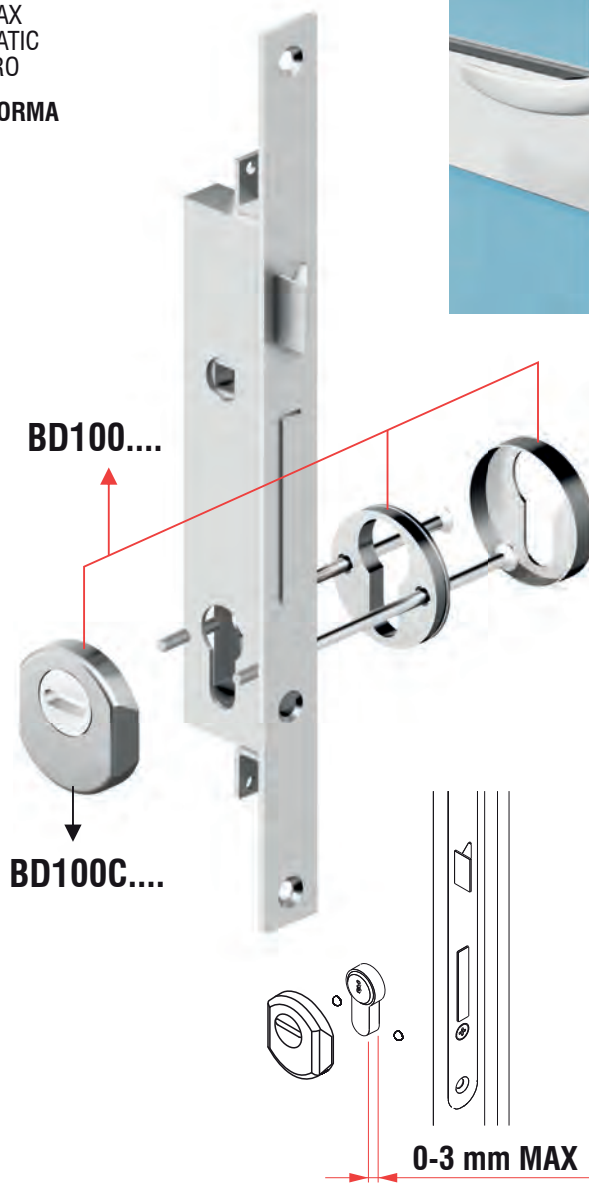
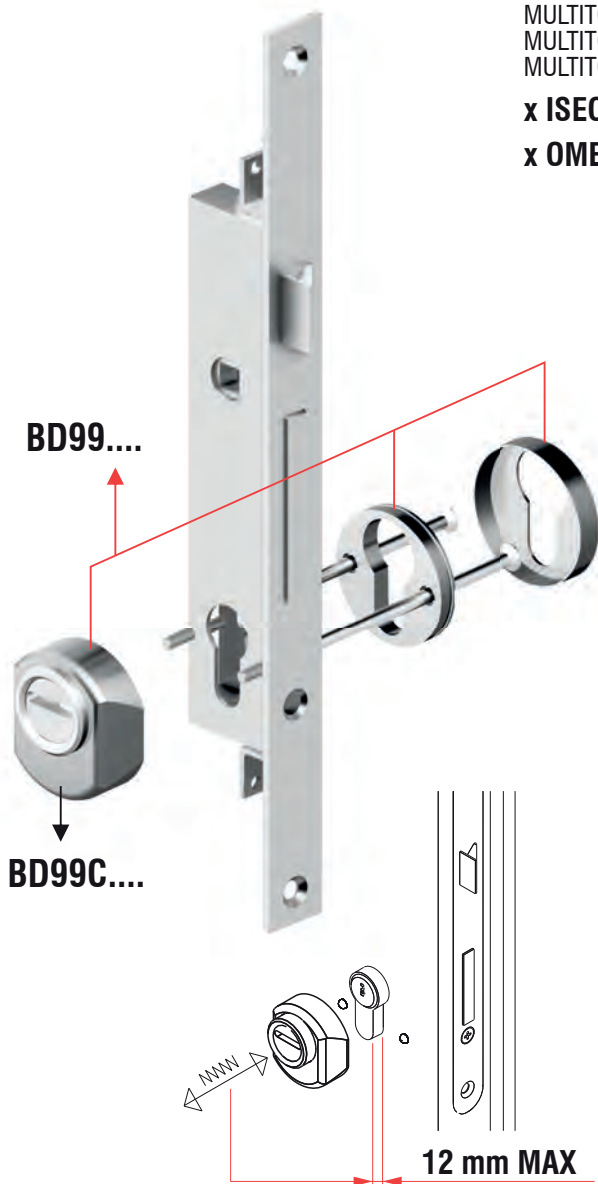


SPESSORI
SPACERS





x CISA serie:
MULTITOP - MAX
MULTITOP - MATIC
MULTITOP - PRO
x ISEO PERFORMA
x OMEC



- W** Bianco RAL 9010
White RAL 9010
- C** Cromo lucido
Bright chrome
- T** Cromo satinato
Satin chrome
- 6** Argento anodizzato
Anodized silver
- IT** Inox satinato
Satin stainless steel

- N** Nero
Black
- 8** PVD Nero lucido
PVD Bright black
- T8** PVD Nero antracite
PVD Satin black
- B** Bronzo
Bronze
- BS** Bronzo satinato
Satin bronze

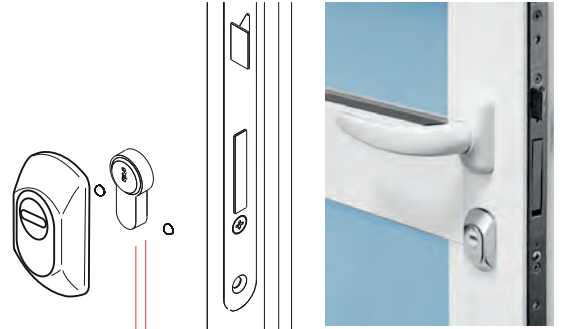
- A** Champagne anodizzato
Anodized champagne
- 9** Oro anodizzato
Anodized gold
- 2** PVD Ottone
PVD Brass
- L** Ottone lucido
Bright brass
- TT** Ottone satinato
Satin brass



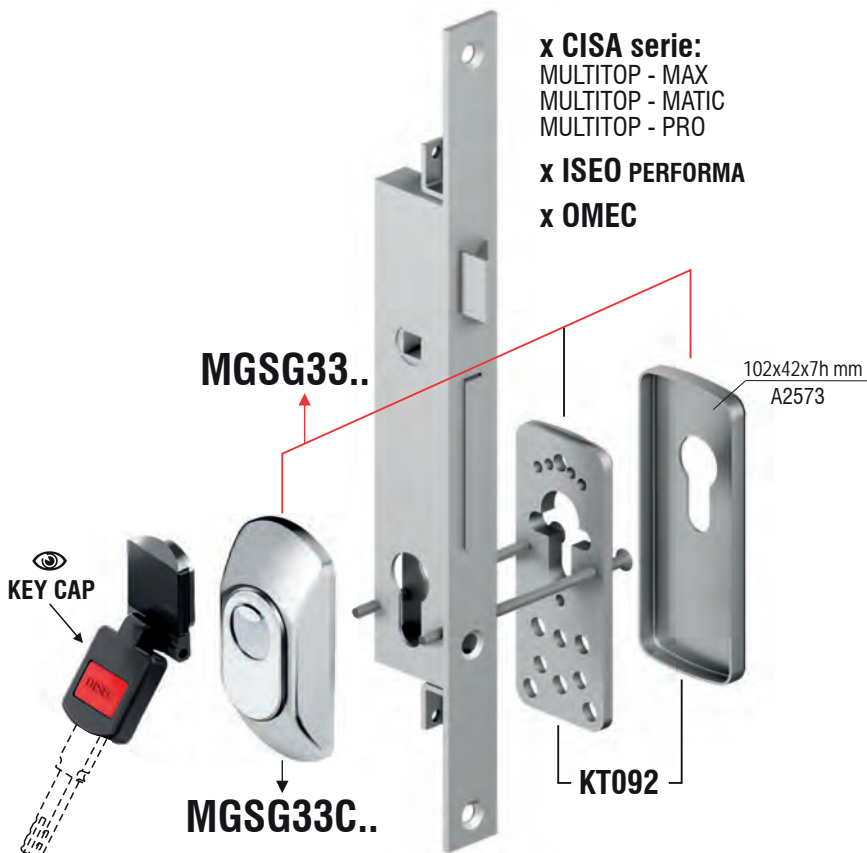
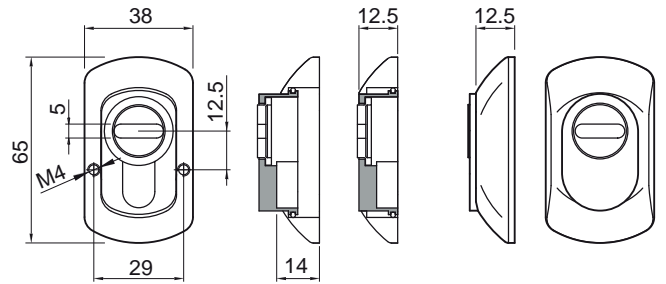


x CISA serie:
MULTITOP - MAX
MULTITOP - MATIC
MULTITOP - PRO

x ISEO PERFORMA
x OMEC

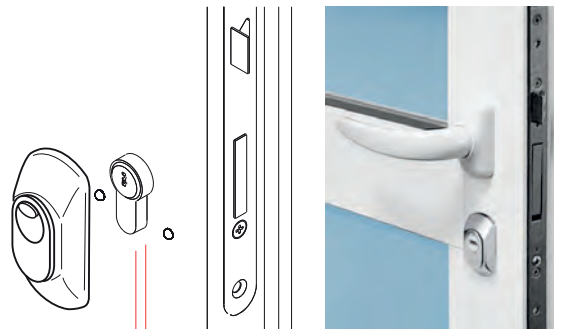


14 mm MAX

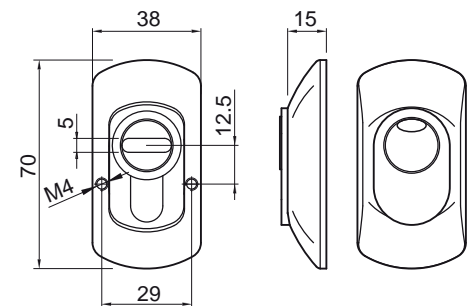


x CISA serie:
MULTITOP - MAX
MULTITOP - MATIC
MULTITOP - PRO

x ISEO PERFORMA
x OMEC



6 mm MAX



- W** Bianco RAL 9010
White RAL 9010
- C** Cromo lucido
Bright chrome
- T** Cromo satinato
Satin chrome
- 6** Argento anodizzato
Anodized silver
- IT** Inox satinato
Satin stainless steel

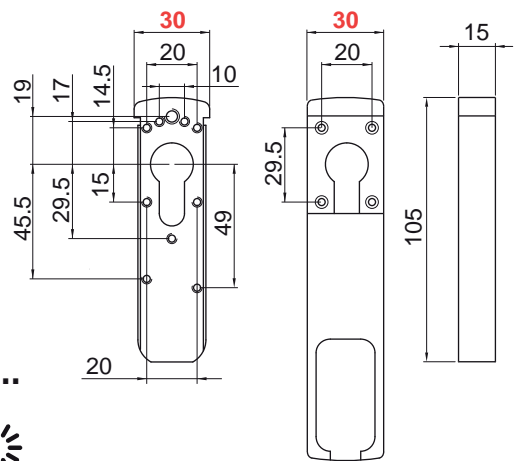
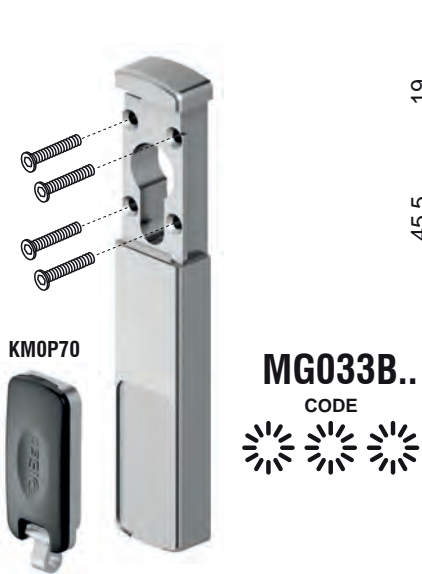
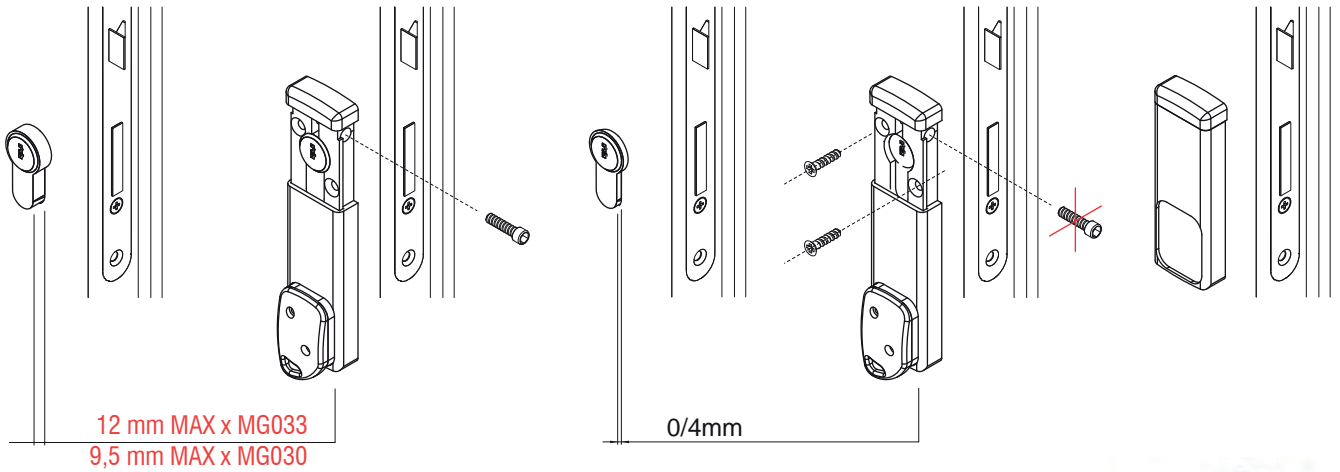
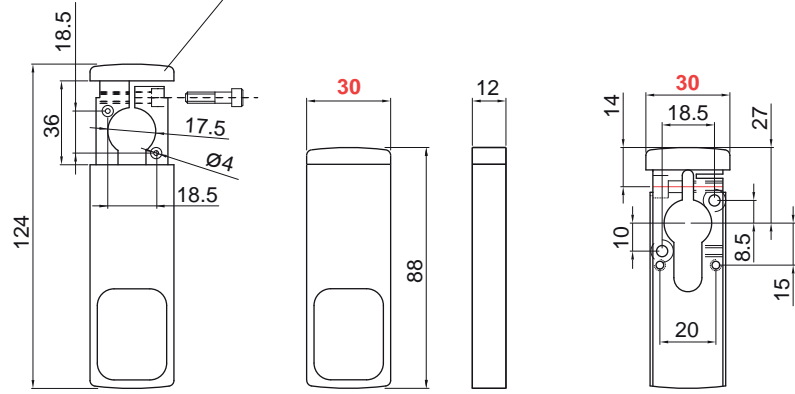
- N** Nero
Black
- 8** PVD Nero lucido
PVD Bright black
- T8** PVD Nero antracite
PVD Satin black
- B** Bronzo
Bronze
- BS** Bronzo satinato
Satin bronze

- A** Champagne anodizzato
Anodized champagne
- 9** Oro anodizzato
Anodized gold
- 2** PVD Ottone
PVD Brass
- L** Ottone lucido
Bright brass
- TT** Ottone satinato
Satin brass



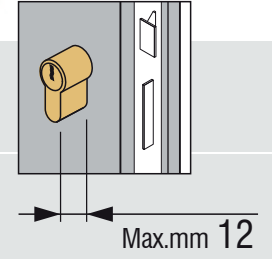


2 sistemi di fissaggio / 2 fixing methods



- | | | |
|--|---|---|
| <input type="checkbox"/> W Bianco RAL 9010
White RAL 9010 | <input checked="" type="checkbox"/> N Nero
Black | <input type="checkbox"/> A Champagne anodizzato
Anodized champagne |
| <input checked="" type="checkbox"/> C Cromo lucido
Bright chrome | <input type="checkbox"/> 8 PVD Nero lucido
PVD Bright black | <input type="checkbox"/> 9 Oro anodizzato
Anodized gold |
| <input checked="" type="checkbox"/> T Cromo satinato
Satin chrome | <input type="checkbox"/> T8 PVD Nero antracite
PVD Satin black | <input checked="" type="checkbox"/> 2 PVD Ottono
PVD Brass |
| <input type="checkbox"/> 6 Argento anodizzato
Anodized silver | <input checked="" type="checkbox"/> B Bronzo
Bronze | <input type="checkbox"/> L Ottone lucido
Bright brass |
| <input type="checkbox"/> IT Inox satinato
Satin stainless steel | <input type="checkbox"/> BS Bronzo satinato
Satin bronze | <input type="checkbox"/> TT Ottone satinato
Satin brass |

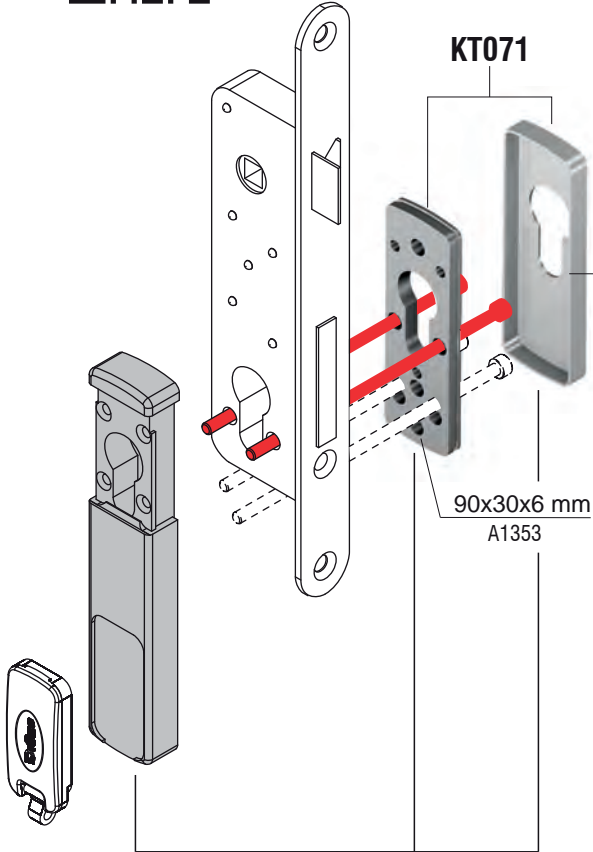
Spessori disponibili:
Available spacers:
3mm



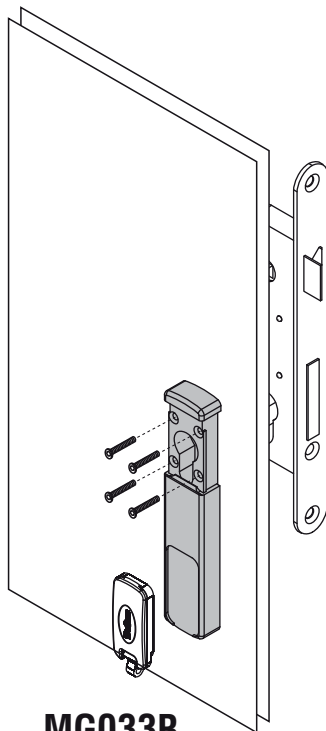


PAT. PEND.

VIDEO:



MG033..



MG033B

KT071

MG033
X CISA serie 16 / 46

90x32x7 mm
A1354

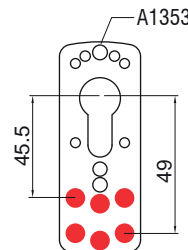
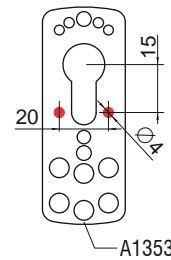
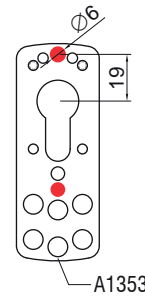
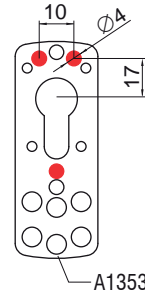
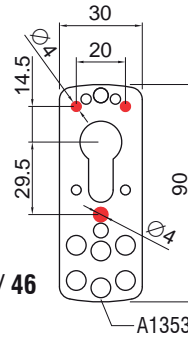
MG033
X TESA

90x30x6 mm
A1353

MG033
X ISEO - MULTIBLINDO

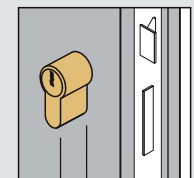
MG033
X ASSA ABLOY
DIN 18250
X ADAMS RITE

MG033



- W Bianco RAL 9010
White RAL 9010
- C Cromo lucido
Bright chrome
- T Cromo satinato
Satin chrome
- 6 Argento anodizzato
Anodized silver
- IT Inox satinato
Satin stainless steel
- N Nero
Black
- 8 PVD Nero lucido
PVD Bright black
- T8 PVD Nero antracite
PVD Satin black
- B Bronzo
Bronze
- BS Bronzo satinato
Satin bronze
- A Champagne anodizzato
Anodized champagne
- 9 Oro anodizzato
Anodized gold
- 2 PVD Ottone
PVD Brass
- L Ottone lucido
Bright brass
- IT Ottone satinato
Satin brass

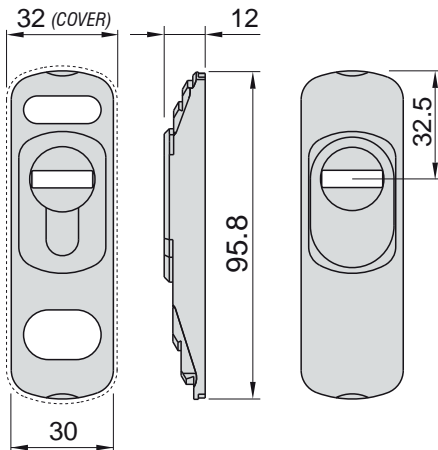
Spessori disponibili:
Available spacers:
3mm



Max.mm 12



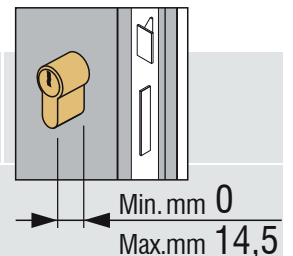
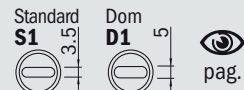
SG35..



VIDEO:

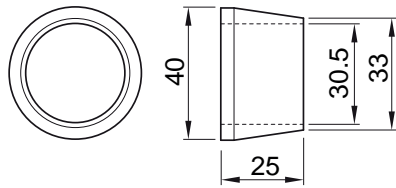


- | | | |
|--|--|--|
| <input checked="" type="checkbox"/> W Bianco RAL 9010
White RAL 9010 | <input checked="" type="checkbox"/> N Nero
Black | <input type="checkbox"/> A Champagne anodizzato
Anodized champagne |
| <input checked="" type="checkbox"/> C Cromo lucido
Bright chrome | <input type="checkbox"/> 8 PVD Nero lucido
PVD Bright black | <input type="checkbox"/> 9 Oro anodizzato
Anodized gold |
| <input checked="" type="checkbox"/> T Cromo satinato
Satin chrome | <input type="checkbox"/> T8 PVD Nero antracite
PVD Satin black | <input checked="" type="checkbox"/> 2 PVD Ottone
PVD Brass |
| <input type="checkbox"/> 6 Argento anodizzato
Anodized silver | <input checked="" type="checkbox"/> B Bronzo
Bronze | <input type="checkbox"/> L Ottone lucido
Bright brass |
| <input checked="" type="checkbox"/> IT Inox satinato
Satin stainless steel | <input type="checkbox"/> BS Bronzo satinato
Satin bronze | <input type="checkbox"/> TT Ottone satinato
Satin brass |

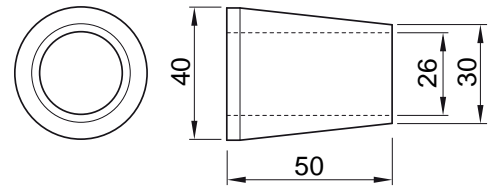




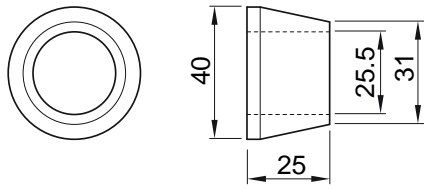
GG0200



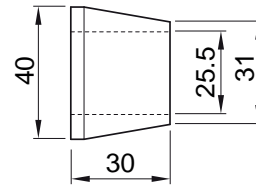
GG4844



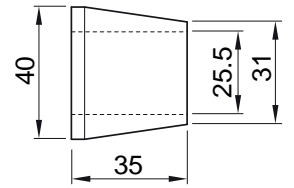
GG2500



GG3000

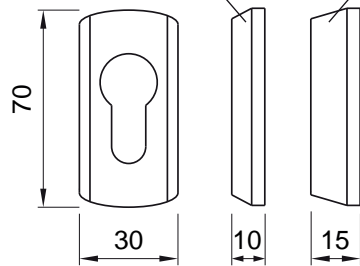


GG3500

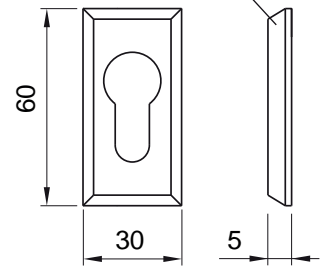


GG060010

GG060015



GG060005

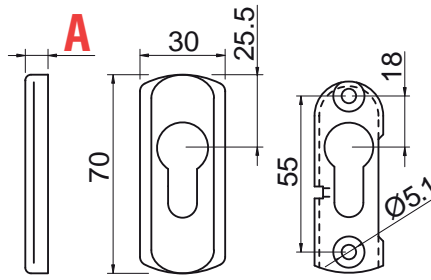


VIDEO:

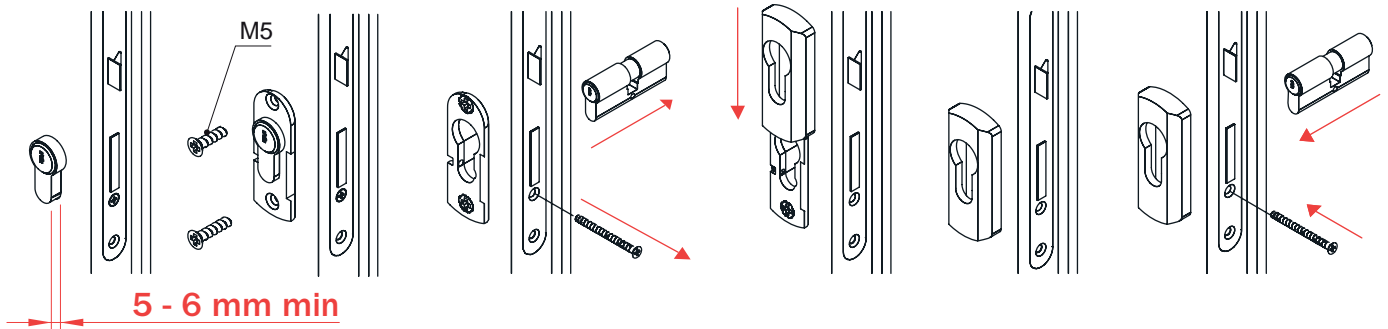




PAT. PEND.



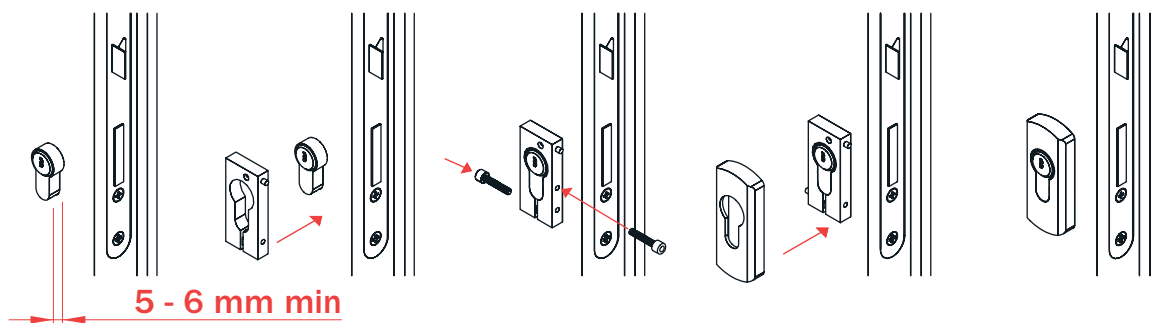
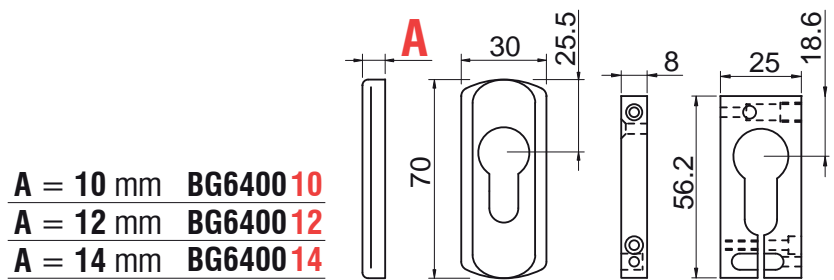
A = 6 mm	BG8000 06
A = 8 mm	BG8000 08
A = 10 mm	BG8000 10
A = 12 mm	BG8000 12
A = 14 mm	BG8000 14



FAST-UP PROTECTION



<input checked="" type="checkbox"/> W	Bianco RAL 9010 White RAL 9010	<input checked="" type="checkbox"/> N	Nero Black	<input checked="" type="checkbox"/> A	Champagne anodizzato Anodized champagne
<input checked="" type="checkbox"/> C	Cromo lucido Bright chrome	<input type="checkbox"/> 8	PVD Nero lucido PVD Bright black	<input checked="" type="checkbox"/> 9	Oro anodizzato Anodized gold
<input checked="" type="checkbox"/> T	Cromo satinato Satin chrome	<input type="checkbox"/> T8	PVD Nero antracite PVD Satin black	<input checked="" type="checkbox"/> 2	PVD Ottone PVD Brass
<input checked="" type="checkbox"/> 6	Argento anodizzato Anodized silver	<input checked="" type="checkbox"/> B	Bronzo Bronze	<input checked="" type="checkbox"/> L	Ottone lucido Bright brass
<input type="checkbox"/> IT	Inox satinato Satin stainless steel	<input type="checkbox"/> BS	Bronzo satinato Satin bronze	<input type="checkbox"/> TT	Ottone satinato Satin brass





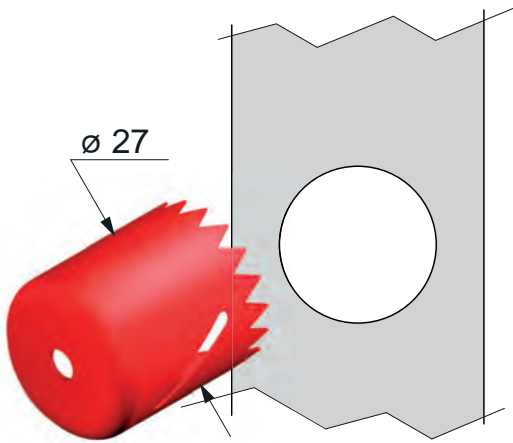
RX51S1ALL

(h sp. AL: 1,1 mm / 2,1 mm)

RX51S1PVC

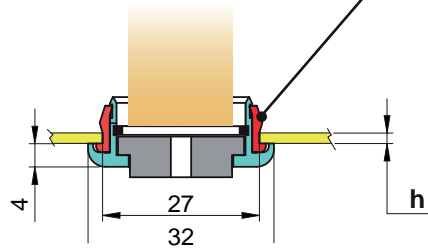
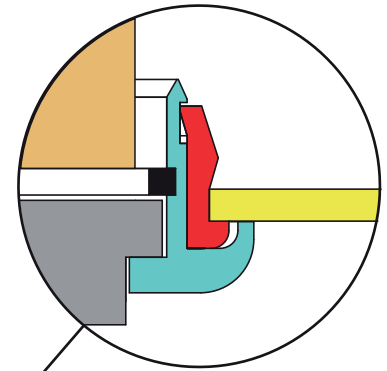
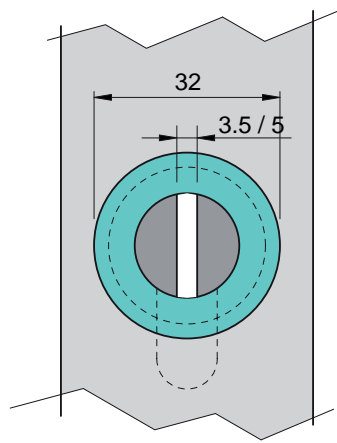
(h sp. PVC: 2,5 / 3 mm)

VIDEO:



**USARE DIMA
DF 21**

VIDEO:



RX51S1ALL

(h sp. AL: 1,1 mm / 2,1 mm)

RX51S1PVC

(h sp. PVC: 2,5 / 3 mm)

- W Bianco RAL 9010
White RAL 9010
- C Cromo lucido
Bright chrome
- T Cromo satinato
Satin chrome
- 6 Argento anodizzato
Anodized silver
- IT Inox satinato
Satin stainless steel

- N Nero
Black
- 8 PVD Nero lucido
PVD Bright black
- T8 PVD Nero antracite
PVD Satin black
- B Bronzo
Bronze
- BS Bronzo satinato
Satin bronze

- A Champagne anodizzato
Anodized champagne
- 9 Oro anodizzato
Anodized gold
- 2 PVD Ottone
PVD Brass
- L Ottone lucido
Bright brass
- TT Ottone satinato
Satin brass

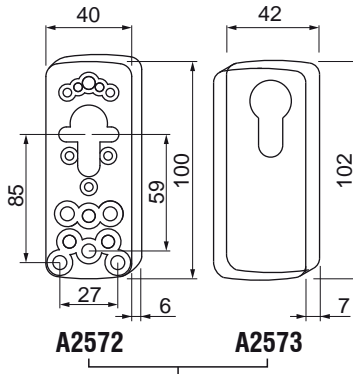
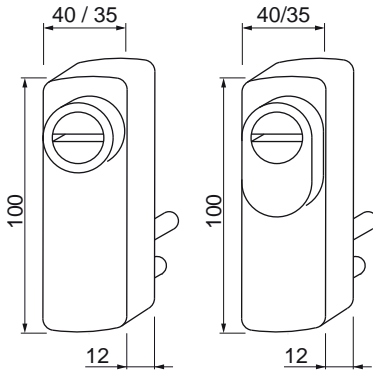
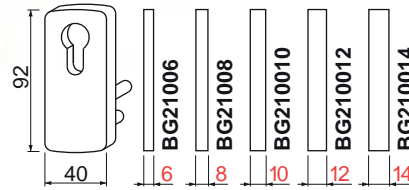




OG03.. 40mm
OG01.. 35mm



BG2100
40mm



KT092



MGOG03.. 40mm
MGOG01.. 35mm

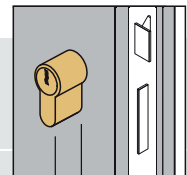


LG22.. 40mm
LG13.. 35mm

- W** Bianco RAL 9010
White RAL 9010
- C** Cromo lucido
Bright chrome
- T** Cromo satinato
Satin chrome
- 6** Argento anodizzato
Anodized silver
- IT** Inox satinato
Satin stainless steel

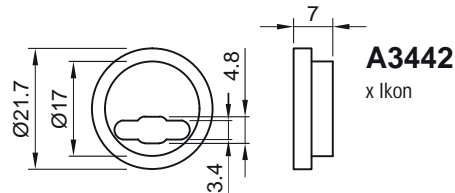
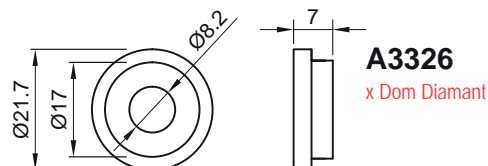
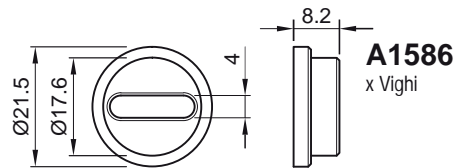
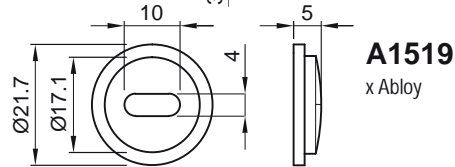
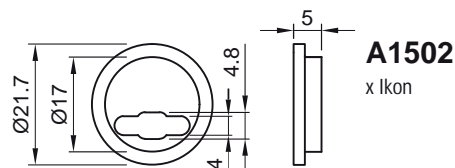
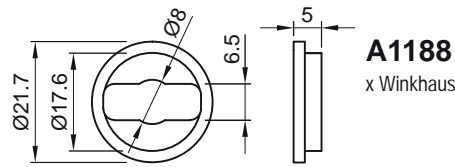
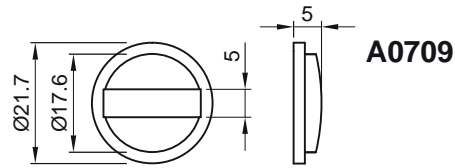
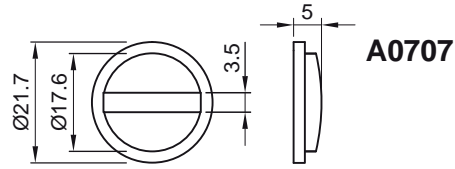
- N** Nero
Black
- 8** PVD Nero lucido
PVD Bright black
- T8** PVD Nero antracite
PVD Satin black
- B** Bronzo
Bronze
- BS** Bronzo satinato
Satin bronze

- A** Champagne anodizzato
Anodized champagne
- 9** Oro anodizzato
Anodized gold
- 2** PVD Ottone
PVD Brass
- L** Ottone lucido
Bright brass
- TT** Ottone satinato
Satin brass



Max.mm 13.5

Ø22

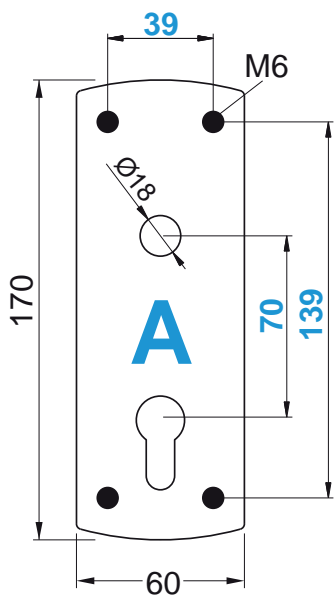




DN12C00
DN50P..
DN52P..



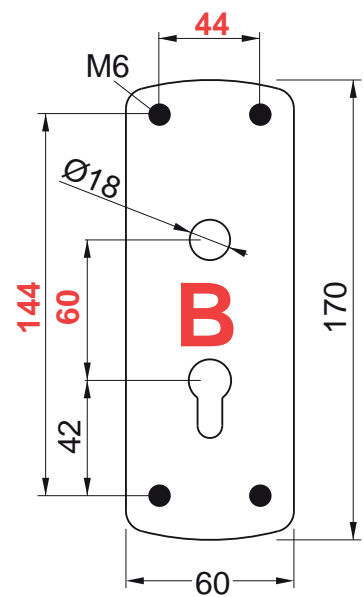
DN13P..
DN19P..
DN20P..
DN22P..
DN23P..
DN32P..
DN33P..
DN42P..
DN50P..



DN130P..
DN38P..
DN28P..
DN60P..

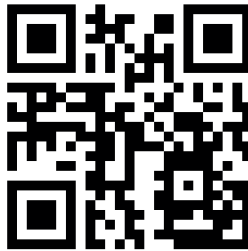


DN129P..
DN36P..
DN26P..
DN61P..



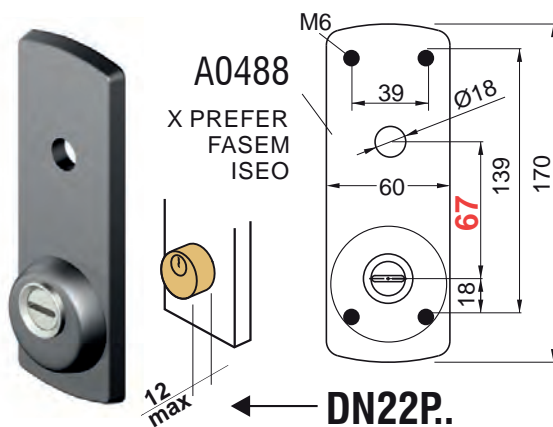
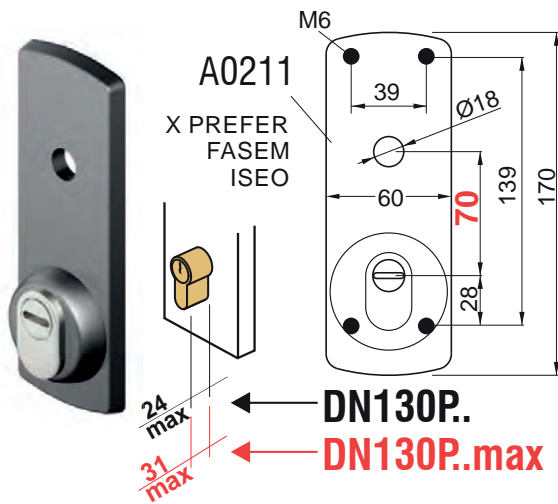
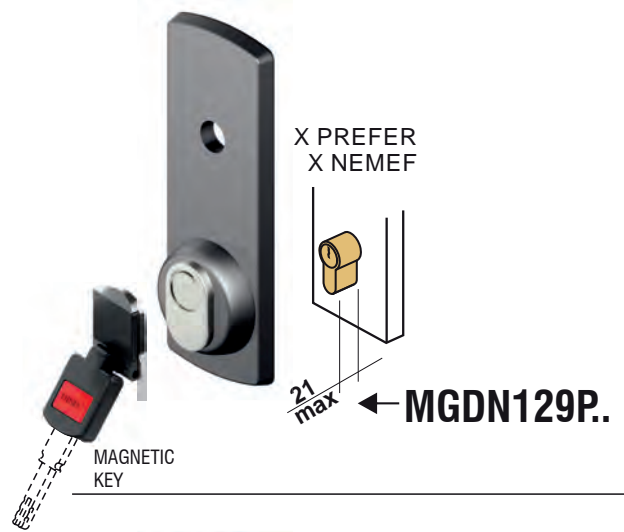
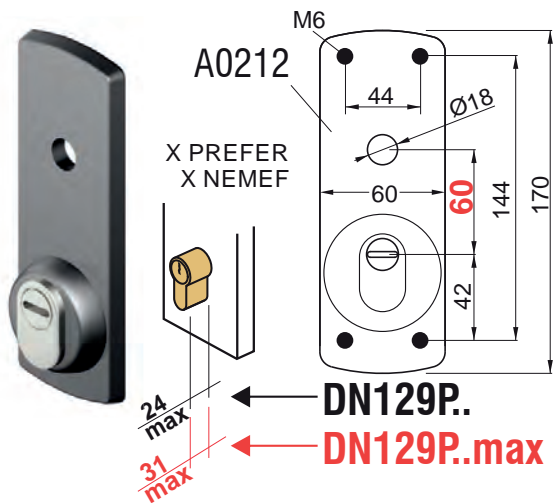


VIDEO:



GARAGES

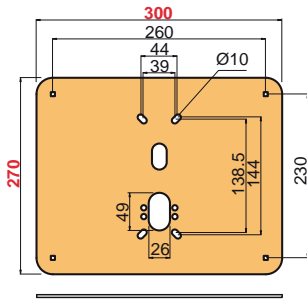




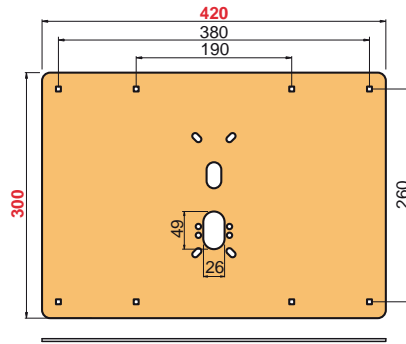
N Nero
Black

Standard **S1** 3.5
Dom **D1** 5

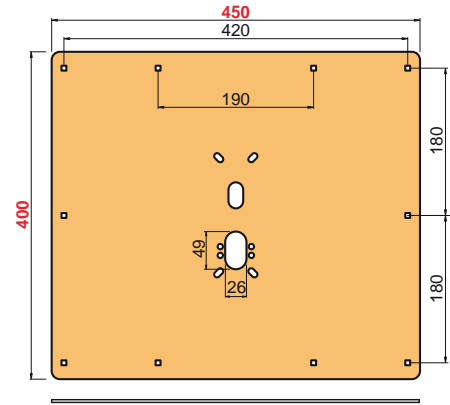
pag. Accessori
Accessories **KT018**



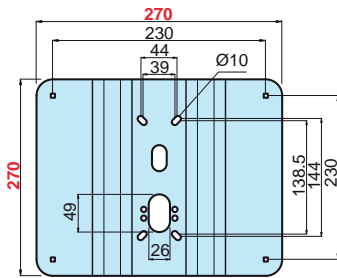
A2466



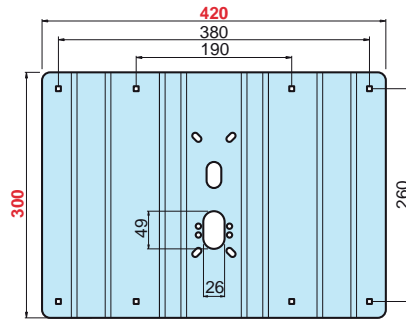
A2625



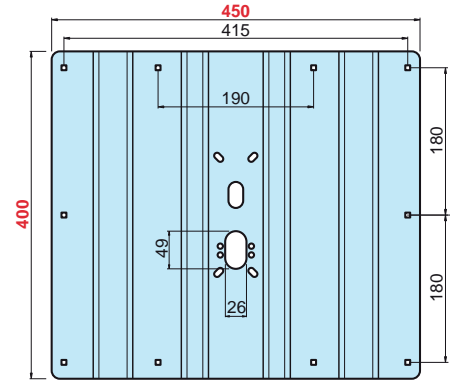
A2626



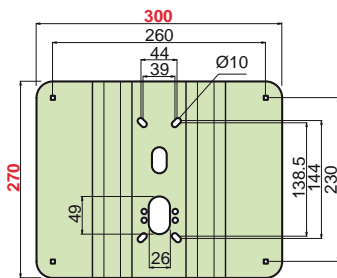
A2479



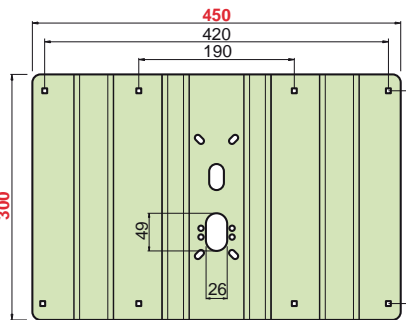
A2584



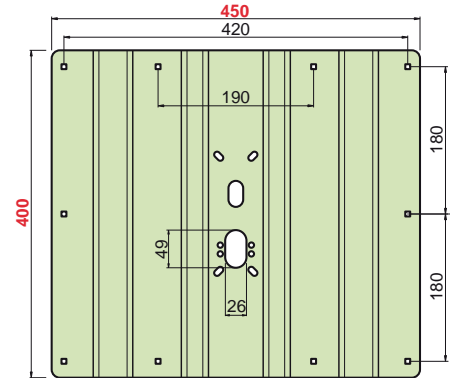
A2624



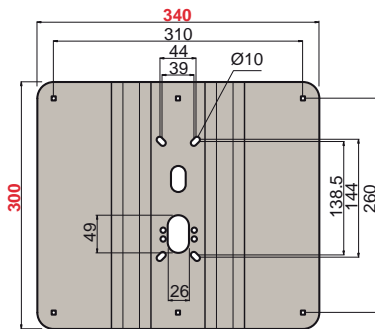
A2465



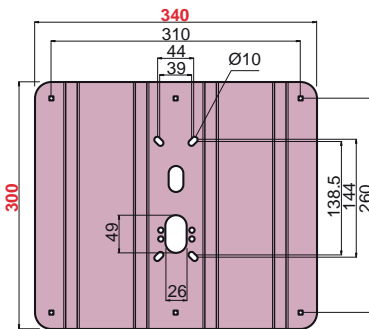
A2627



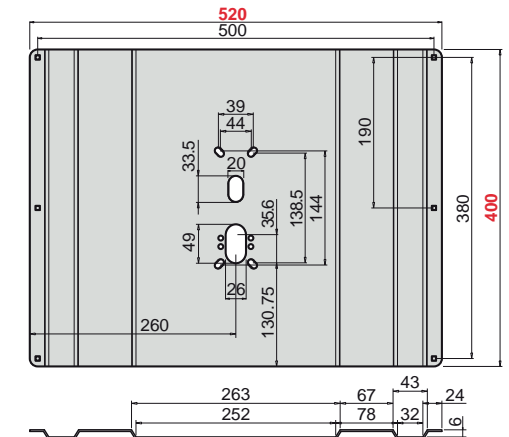
A2628



A3254



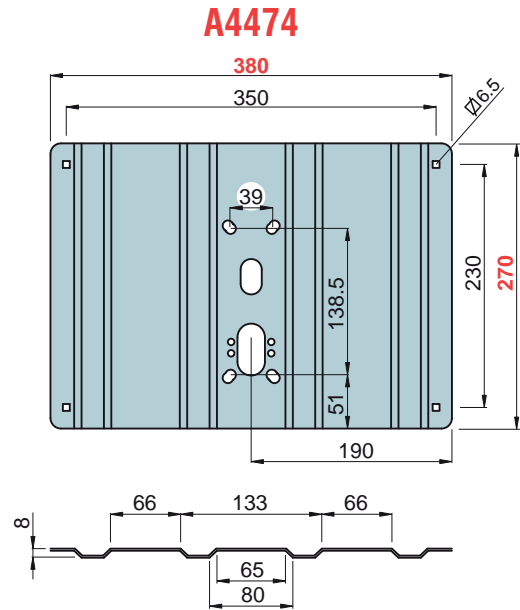
A3265



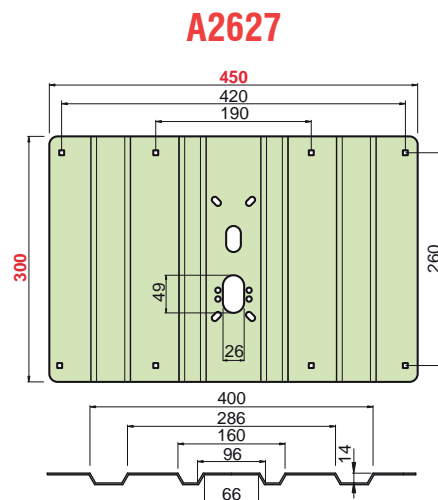
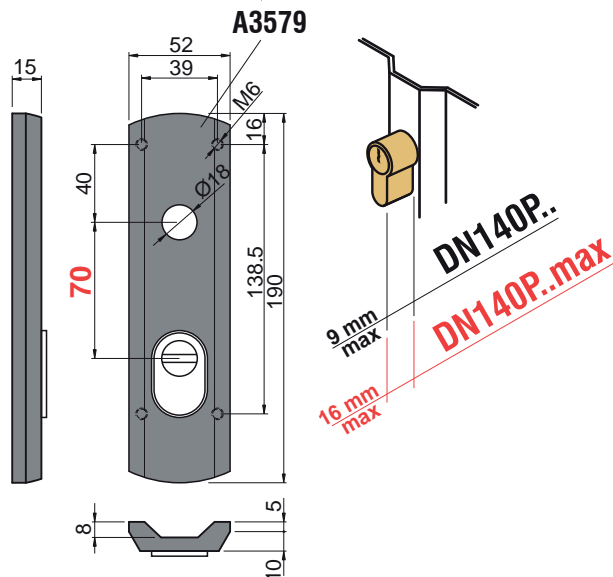
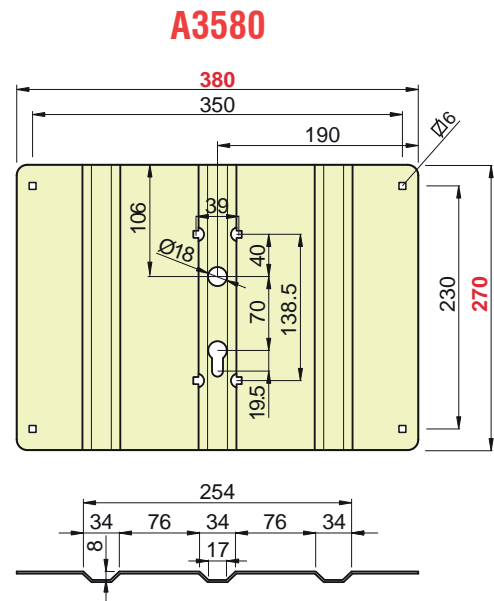
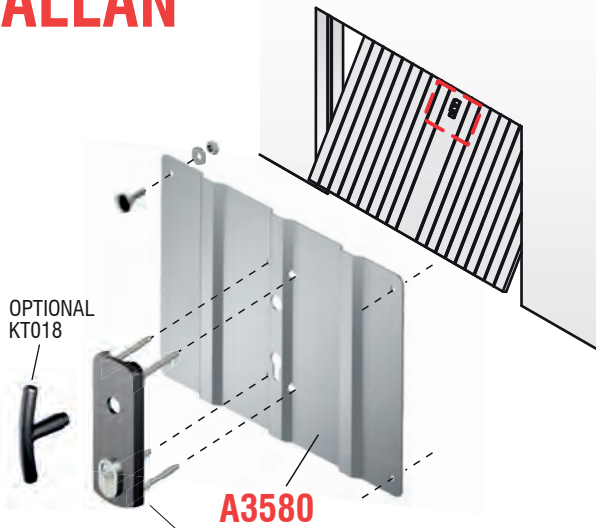
A3513

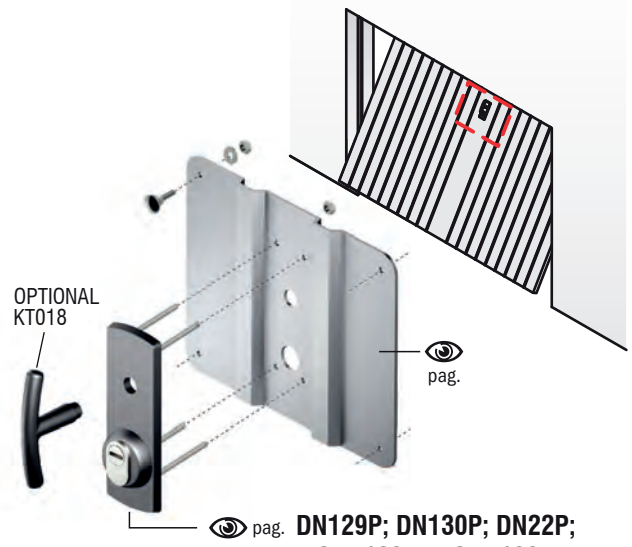


X DE NARDI

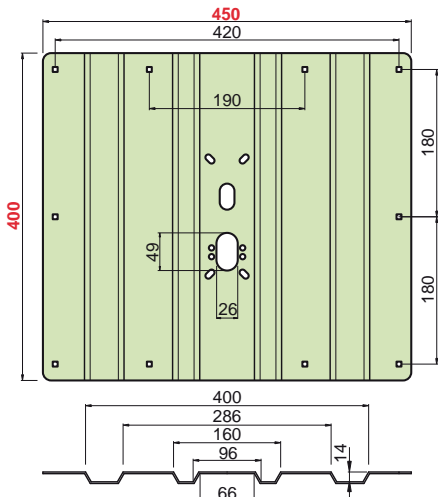


X BALLAN

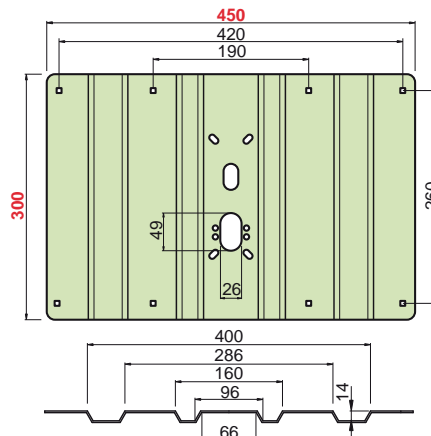




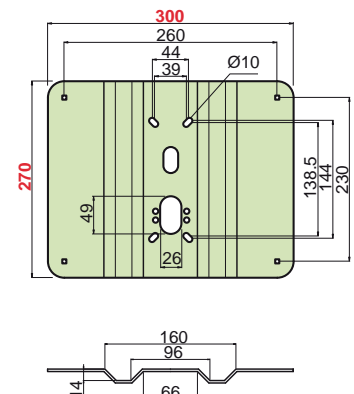
pag. **DN129P; DN130P; DN22P;**
MGDN129P; MGDN130P



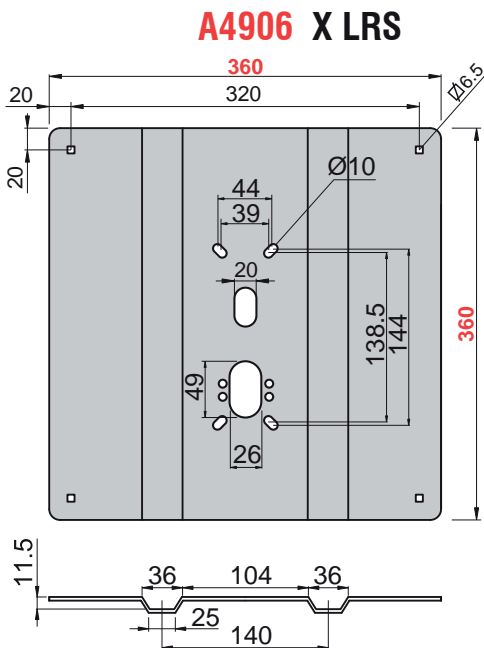
A2628



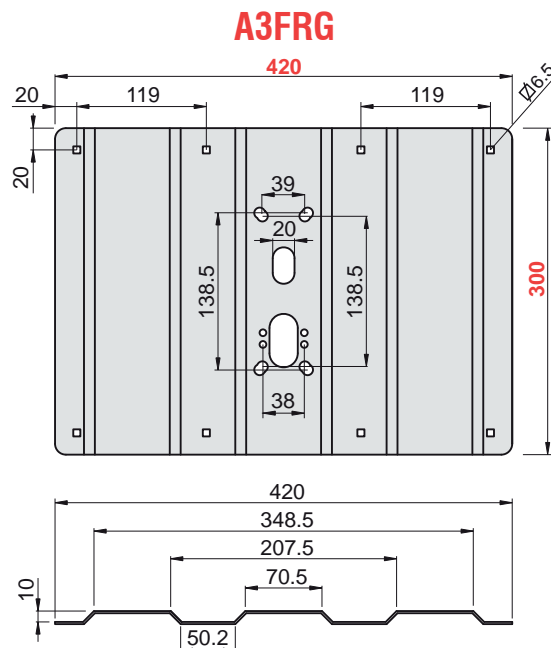
A2627



A2465



A4906 X LRS

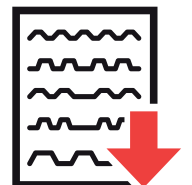


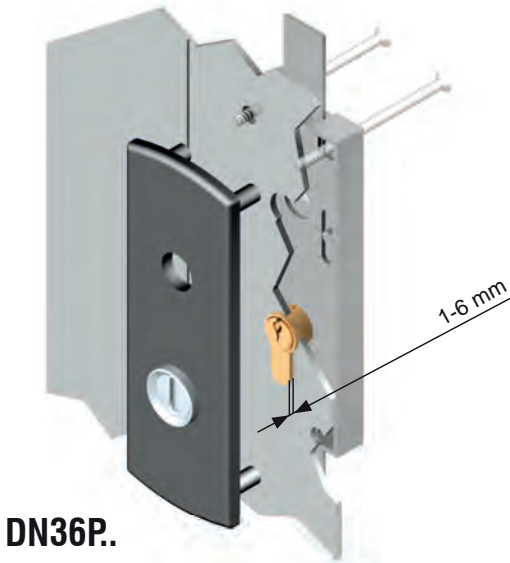
A3FRG



DOWNLOAD
PDF TEMPLATE
(SCALE 1:1)

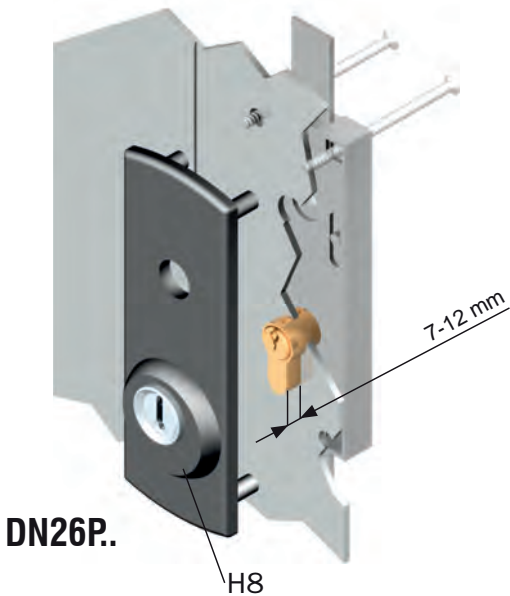
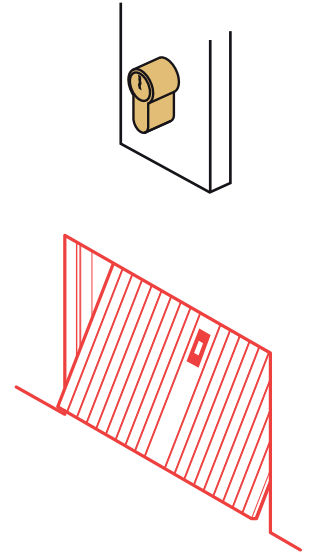
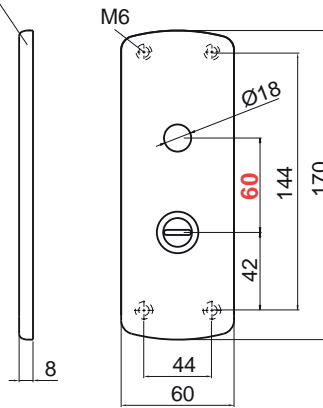
DOWNLOAD
PDF DIME
(SCALA 1:1)





A0376

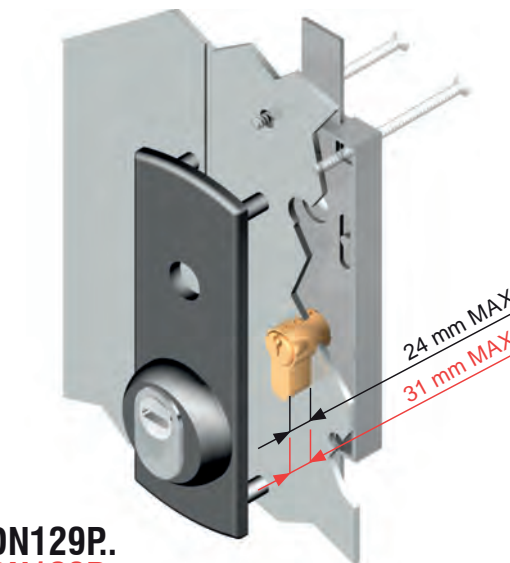
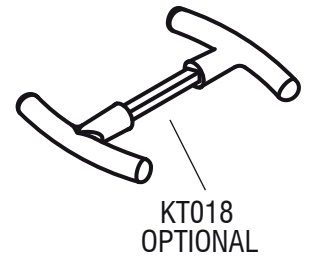
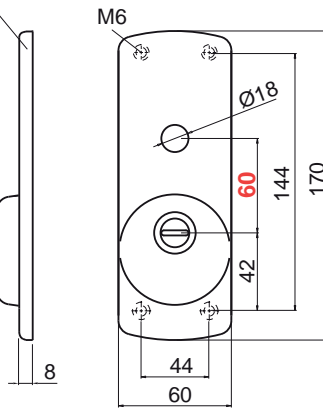
1-6 mm



A0212

7-12 mm

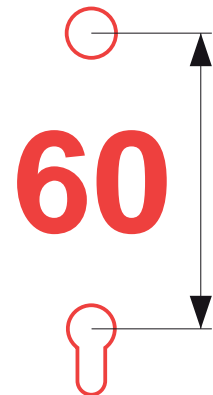
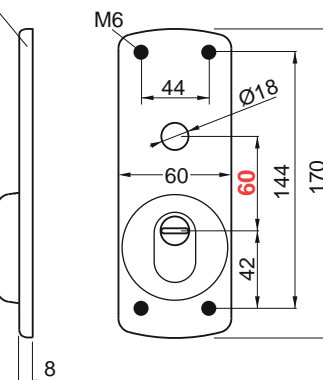
H8



A0212

24 mm MAX

31 mm MAX



N Nero
Black

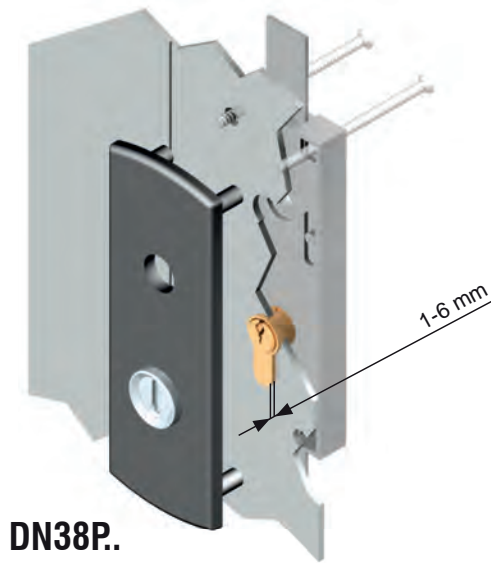
Accessori
Accessories



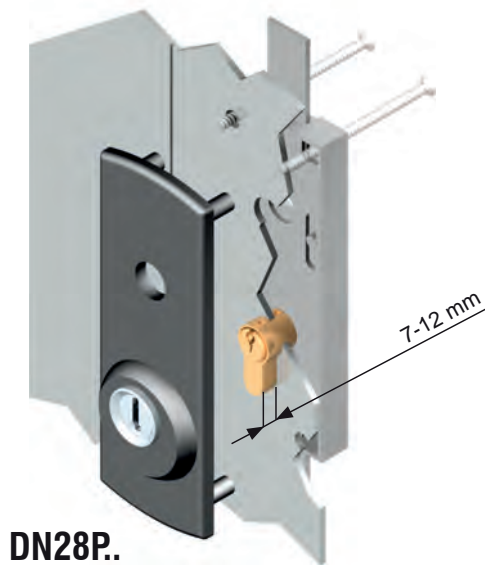
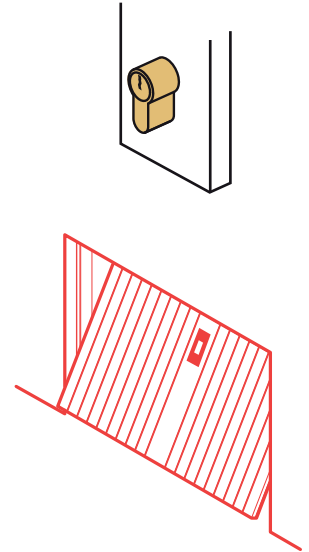
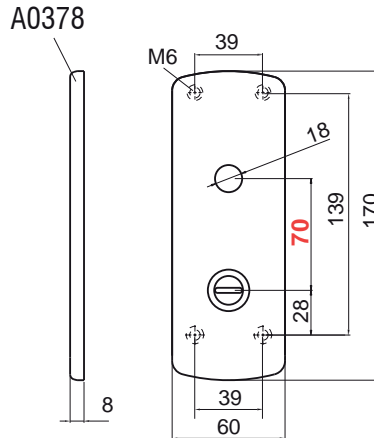
Standard
S1
3.5

Dom
D1
5

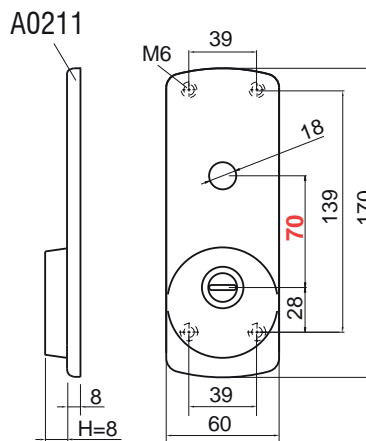




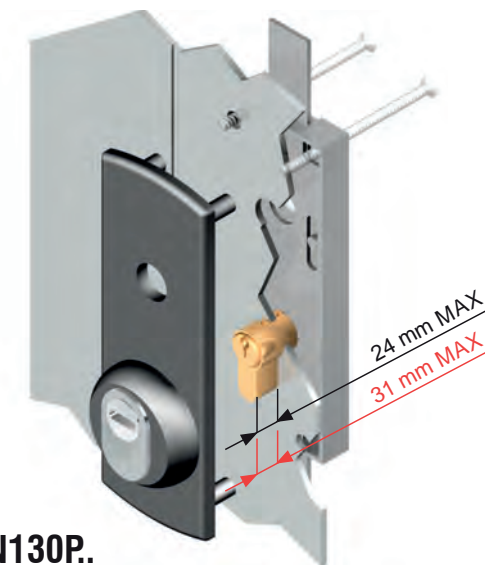
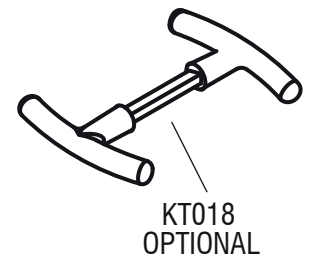
DN38P..



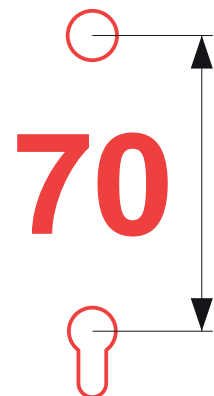
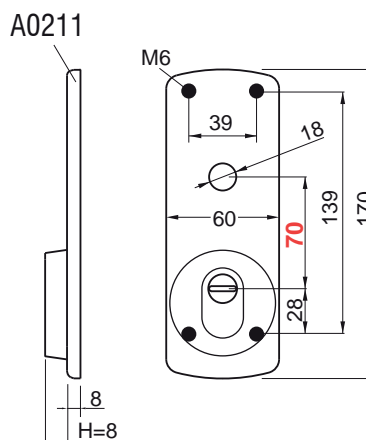
DN28P..



- X FASEM
- X ISEO
- X PREFER
- X VIRO
- X CISA



DN130P..
DN130P.max



N Nero
Black

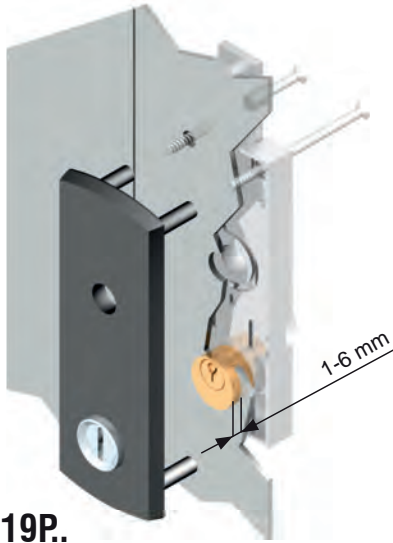
Accessori
Accessories



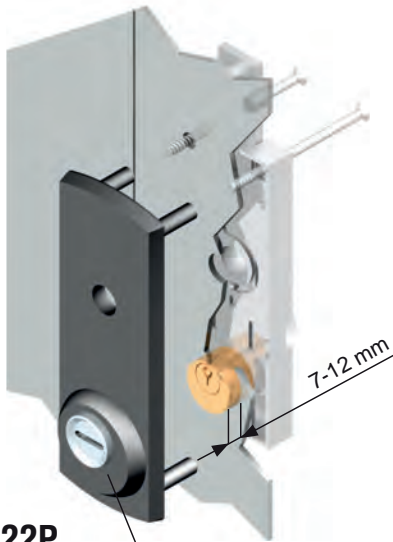
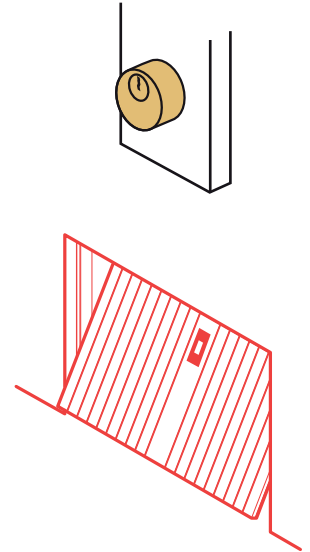
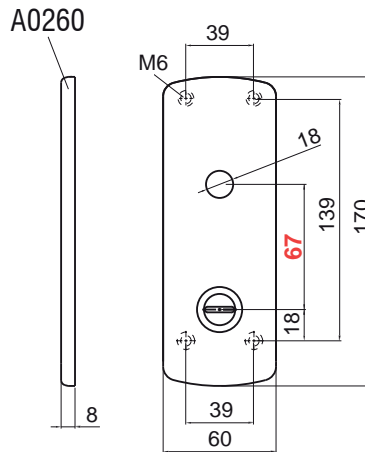
Standard
S1
3.5

Dom
D1
5

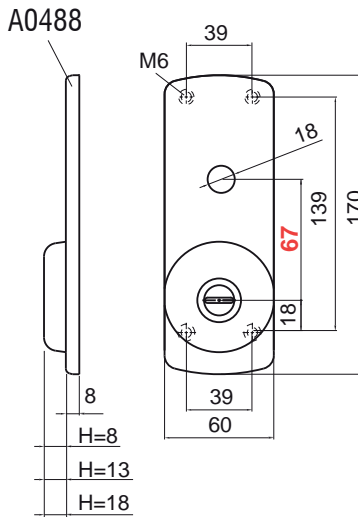




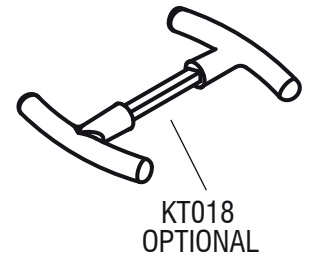
DN19P.



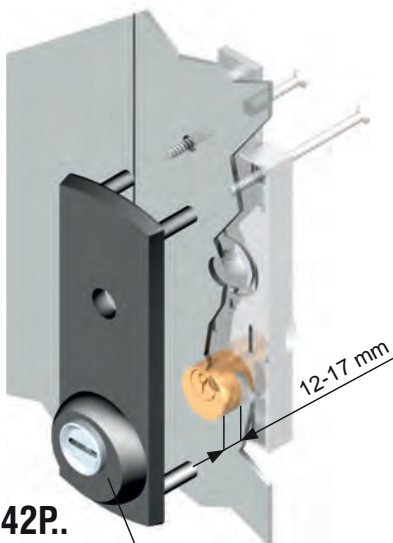
DN22P.



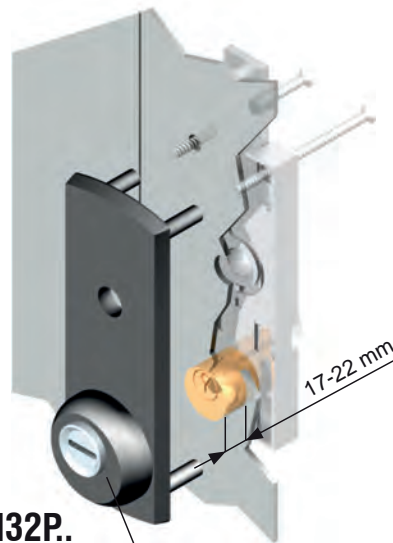
- X FASEM
- X ISEO
- X PREFER
- X VIRO
- X CISA



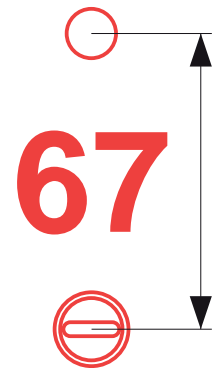
KT018
OPTIONAL



DN42P.



DN32P.



N Nero
Black

Accessori
Accessories

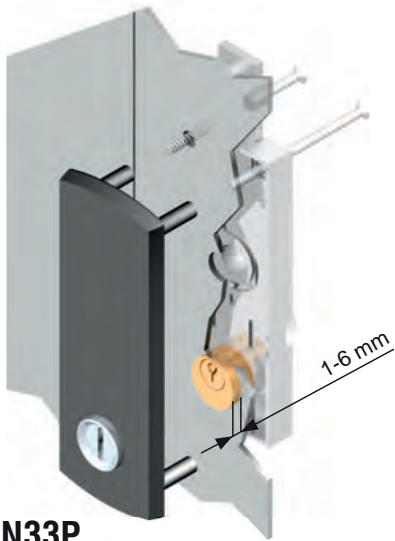


Standard
S1
3.5

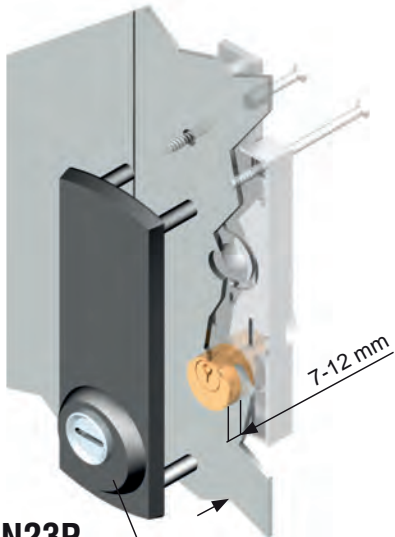
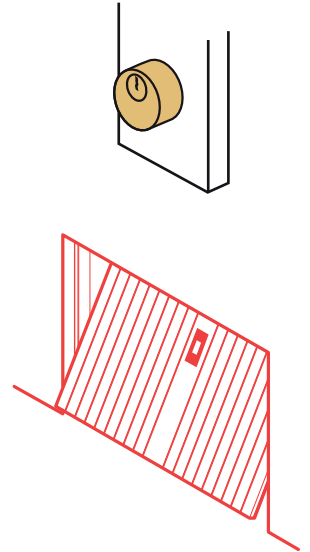
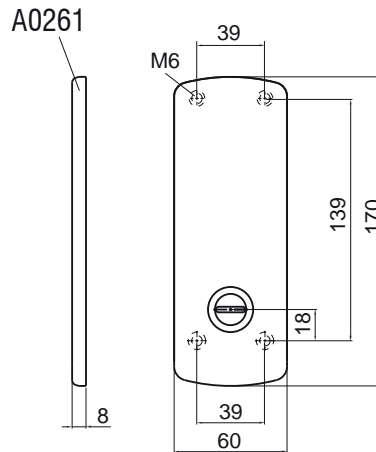
Dom
D1
5



pag.

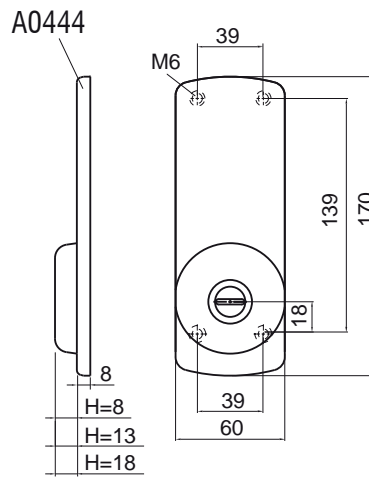


DN33P.

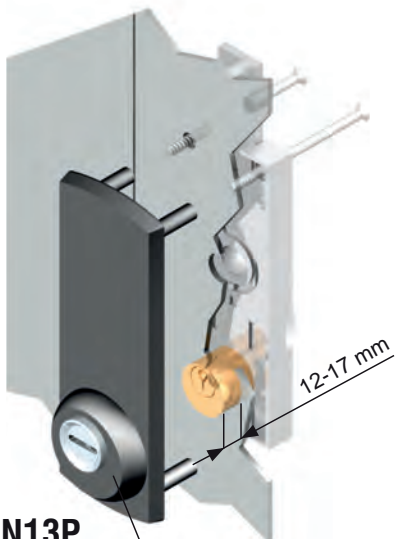


DN23P.

H8

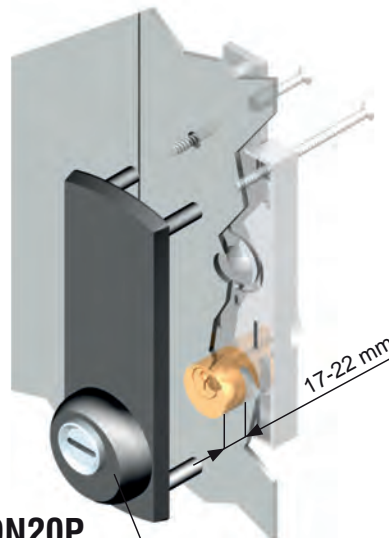


- X FASEM
- X ISEO
- X PREFER
- X VIRO
- X CISA



DN13P.

H13



DN20P.

H18

N Nero
Black

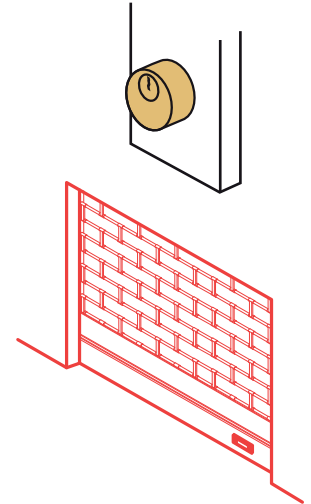
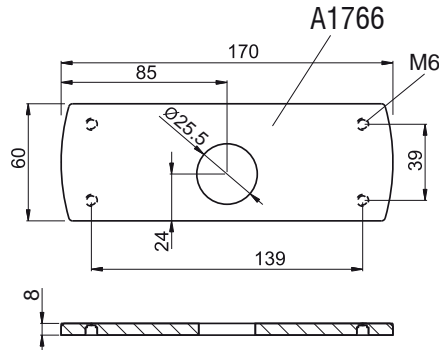
Accessori
Accessories



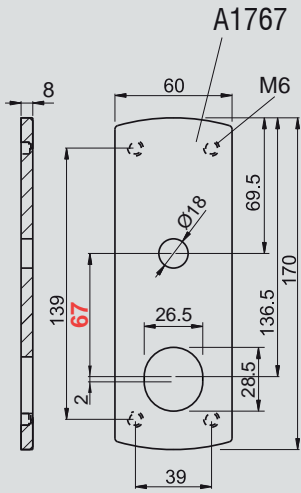
pag.



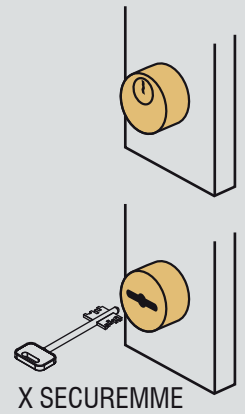
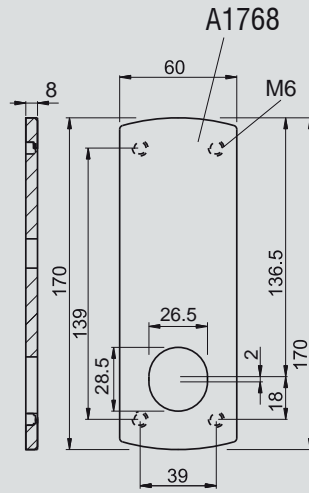
DN54P



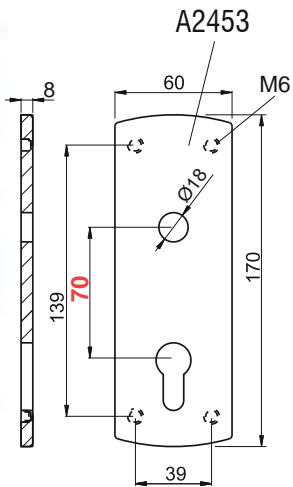
DN50P



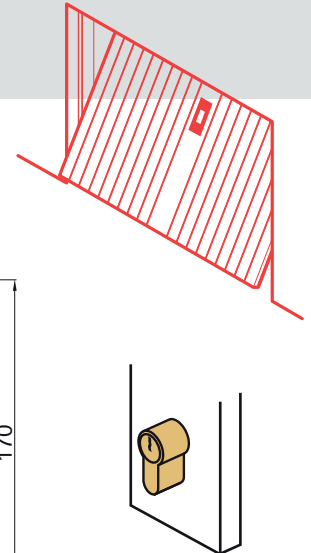
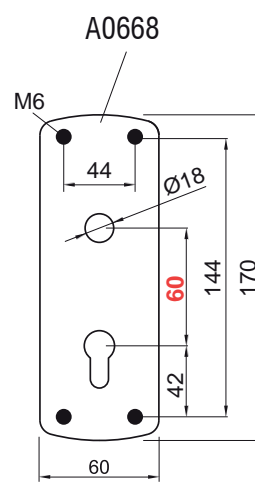
DN52P



DN60P

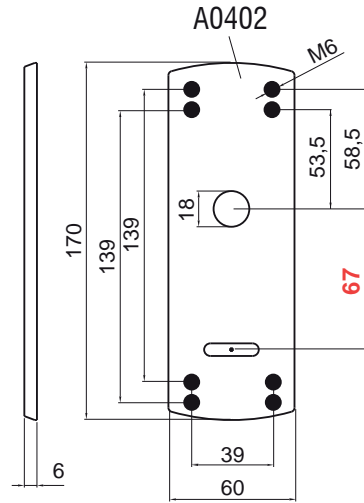


DN61P..



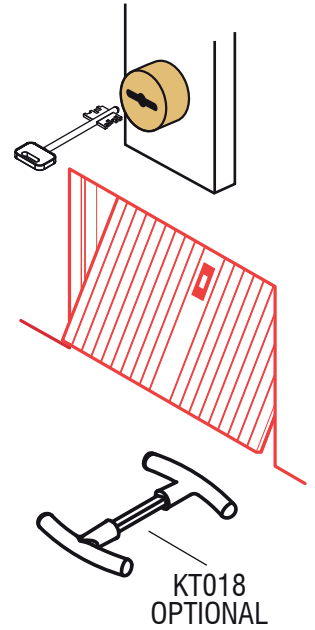


DN12C00



X ANTONIOLI
X CERRUTI
X CR
X IDM

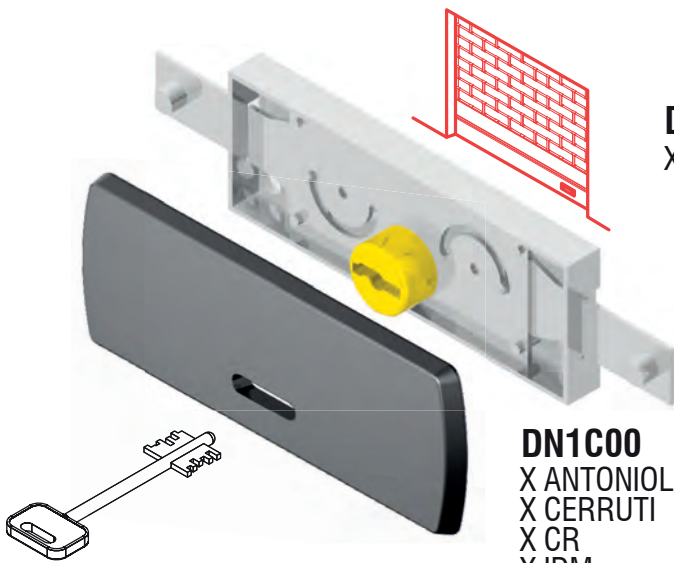
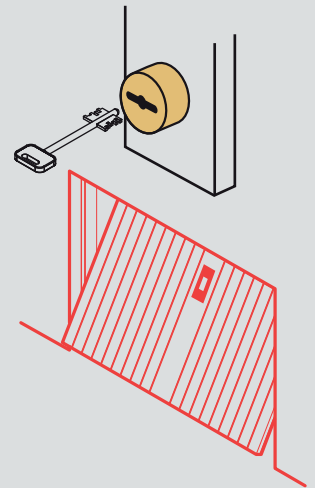
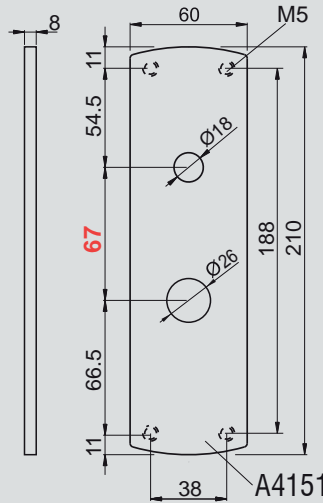
X MOTTURA
X POTENT
X CISA
X ISEO



KT018
OPTIONAL

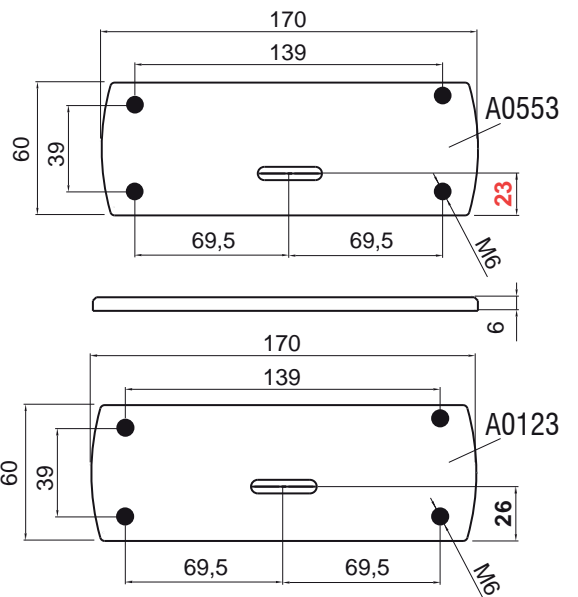


DN65P
X FIAM 102



DN1C00
X ANTONIOLI
X CERRUTI
X CR
X IDM

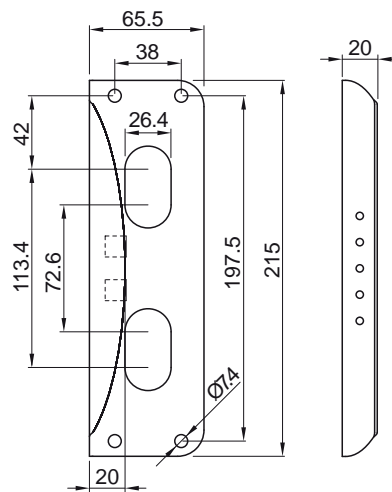
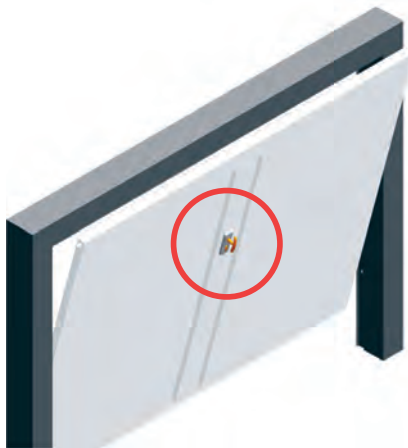
DN1M00
X MOTTURA



N Nero
Black

Accessori
Accessories





PSMSL

x serratura MSL DX & SX

x 1/2 CILINDRO 22mm & 32mm centrico

x 1/2 CYLINDER 22mm & 32mm centric

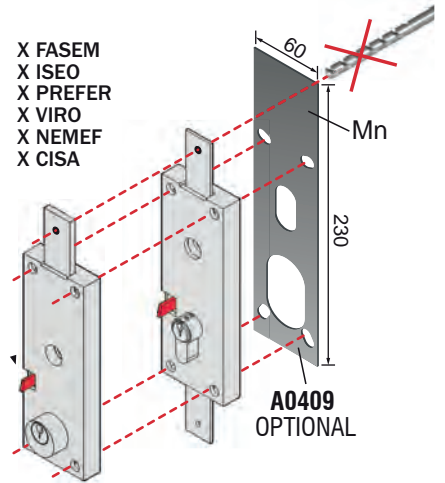




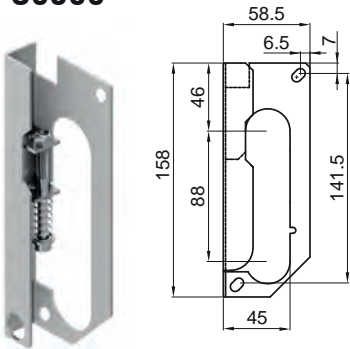
VIDEO:



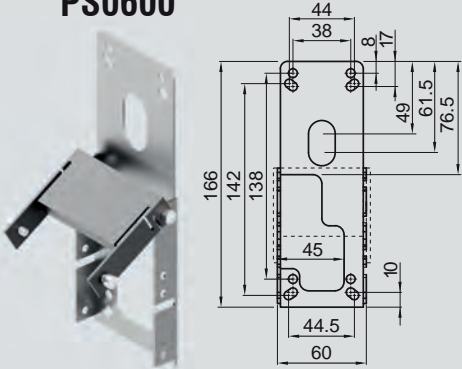
- X FASEM
- X ISEO
- X PREFER
- X VIRO
- X NEMEF
- X CISA



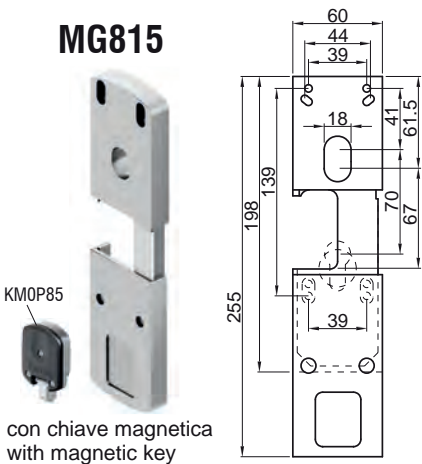
PS0500

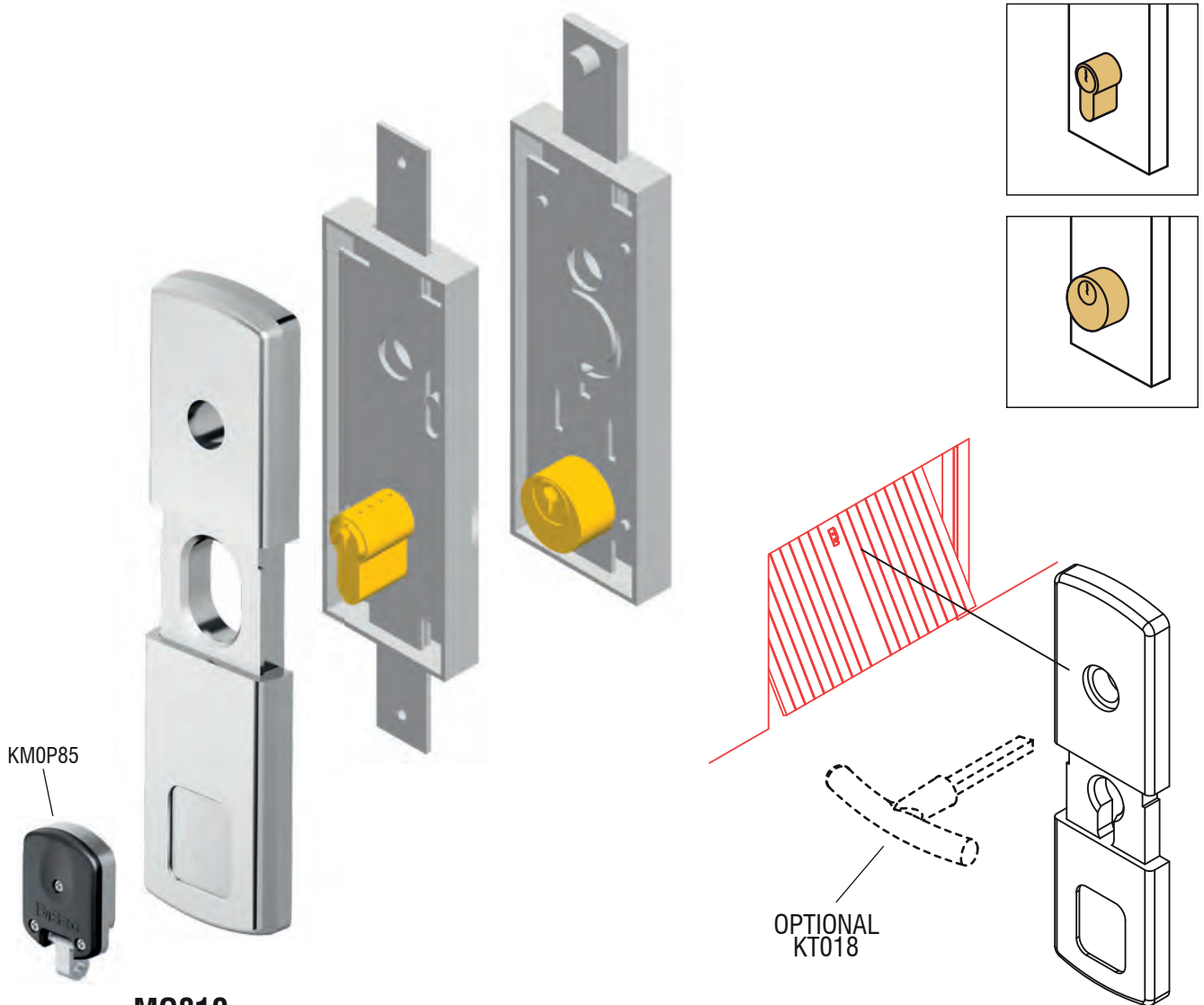


PS0600



MG815



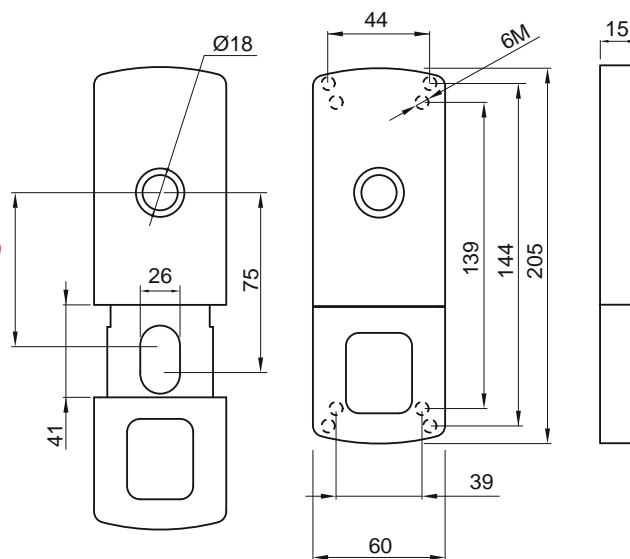


MG810
X PREFER
6551 - 62 - 63 - 81
93 - 94 - 98 - 99

VIDEO:

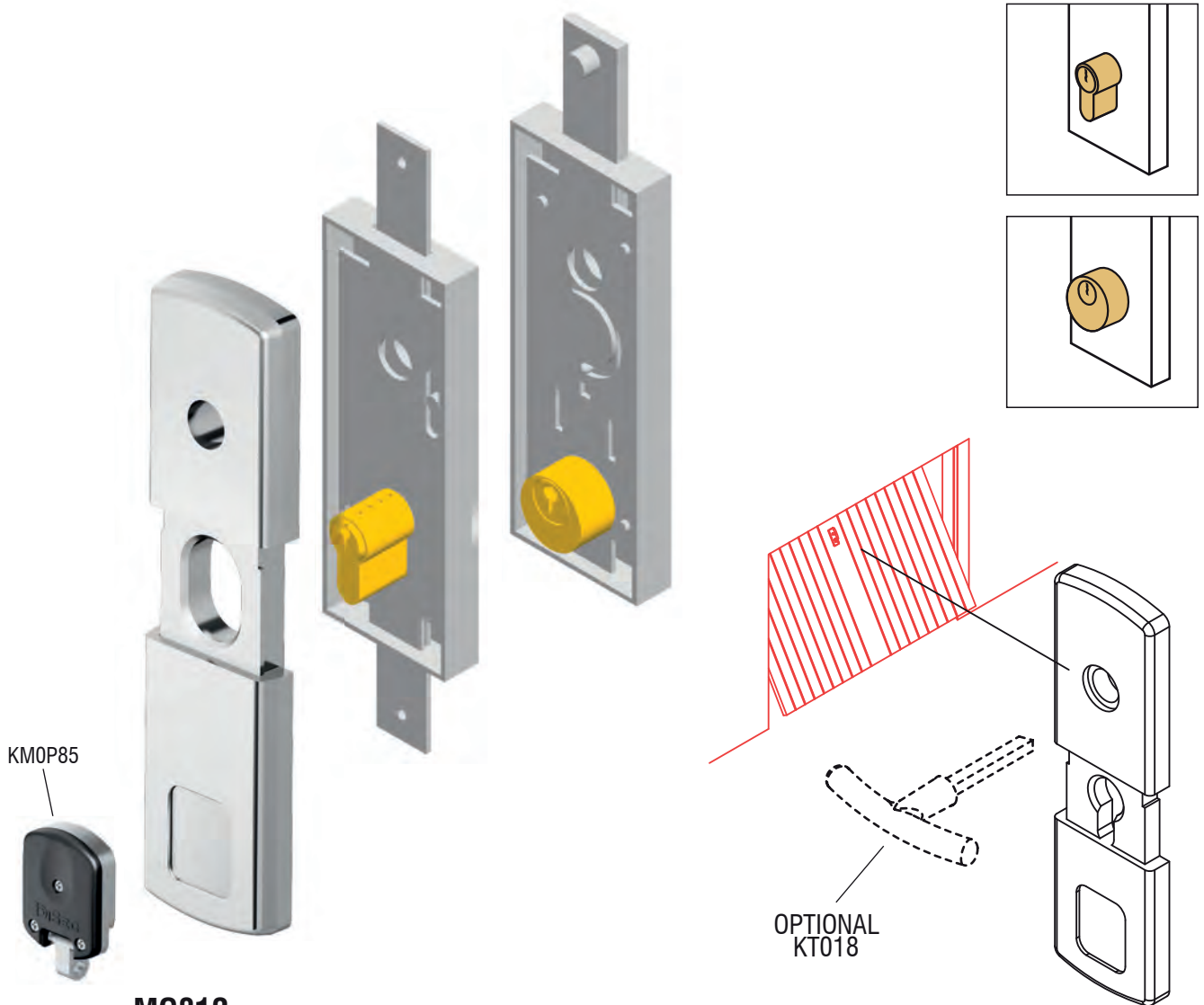


70



N Nero
Black

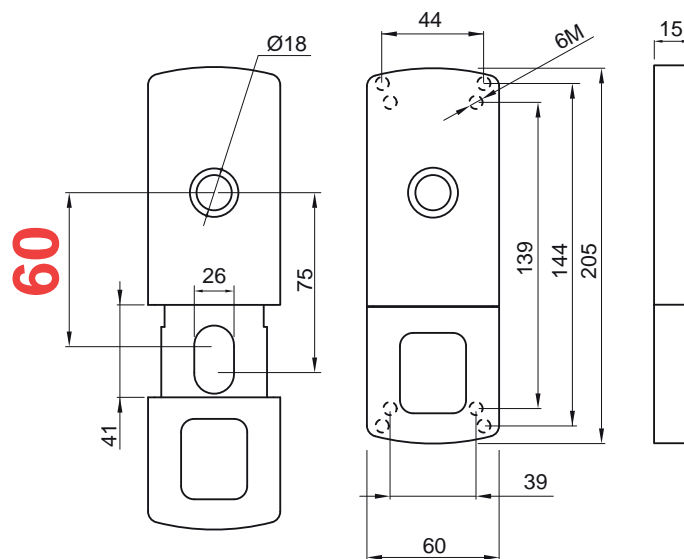




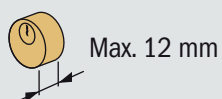
MG812

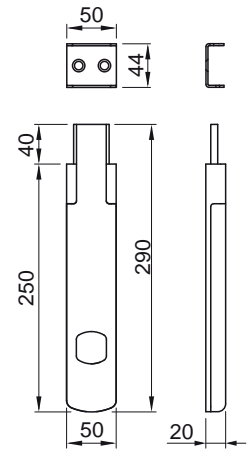
X PREFER EUR
6551 - 65 - 66 - 67 - 69
91 - 92 - 96 - 97
DM 8604

NEMEF EUR Ø25
PREFER Ø25
POTENT Ø25
FASEM Ø25
CISA Ø25
ISEO Ø25
IDM



N Nero
Black



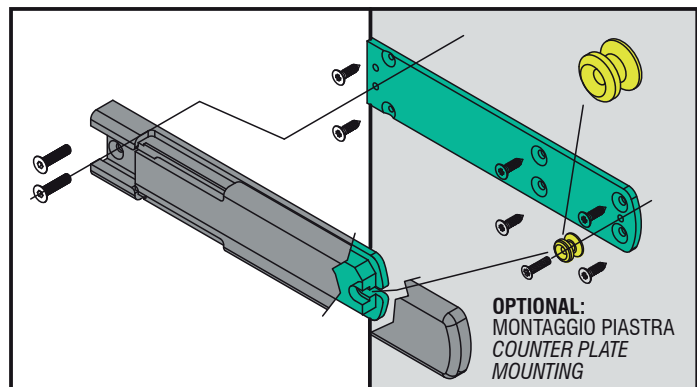
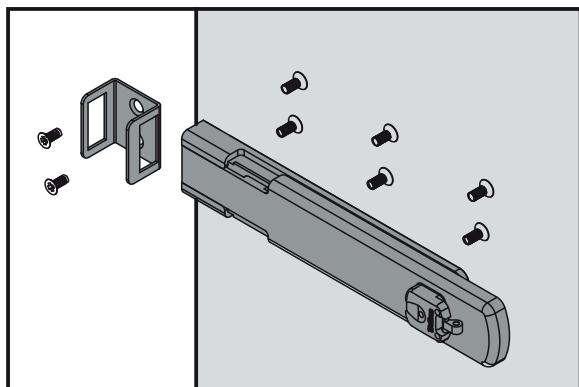
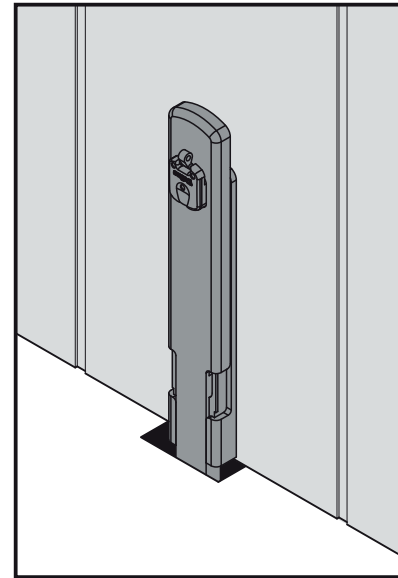
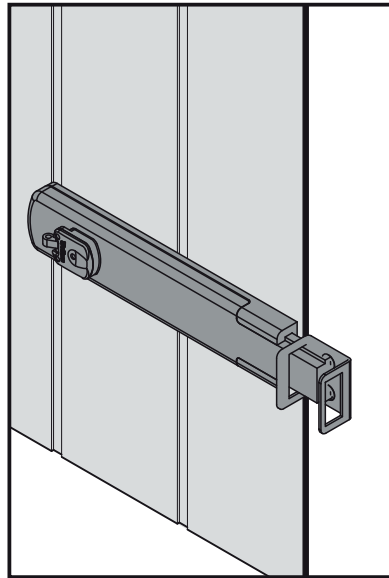
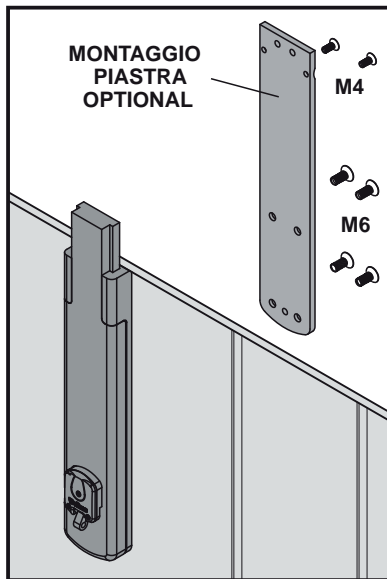
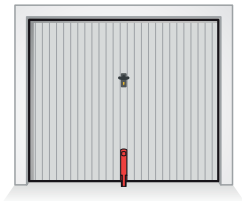
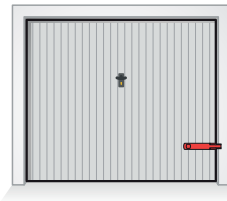
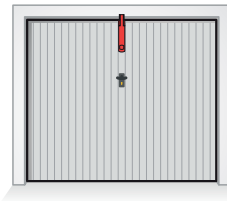


VIDEO:



MGKTN300

CATENACCIO A
CHIUSURA MAGNETICA
MAGNETIC SLIDE
LATCH LOCK





MG700

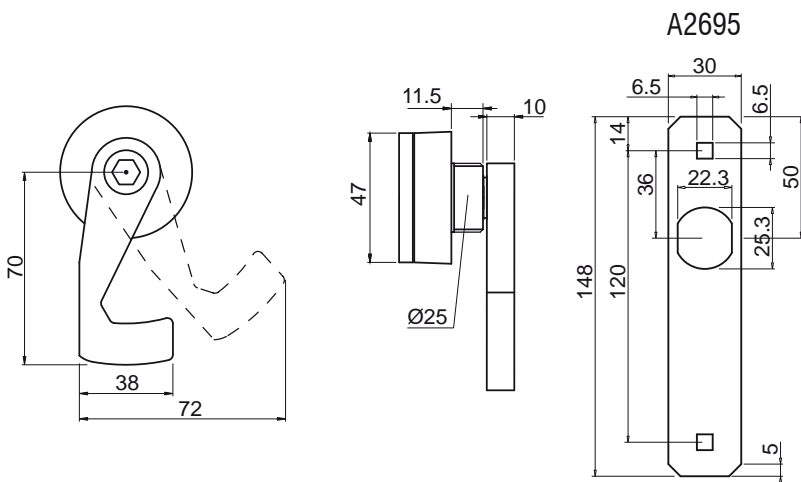
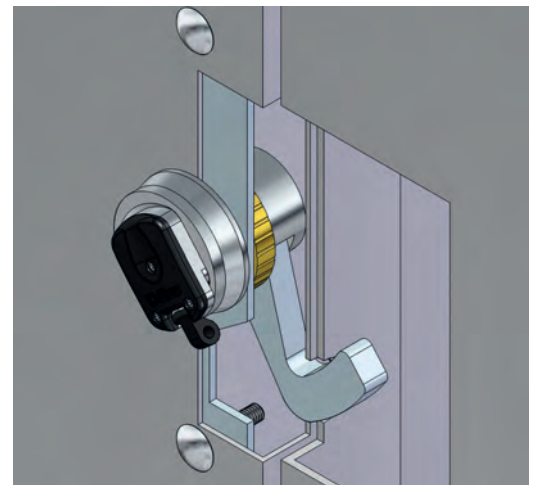
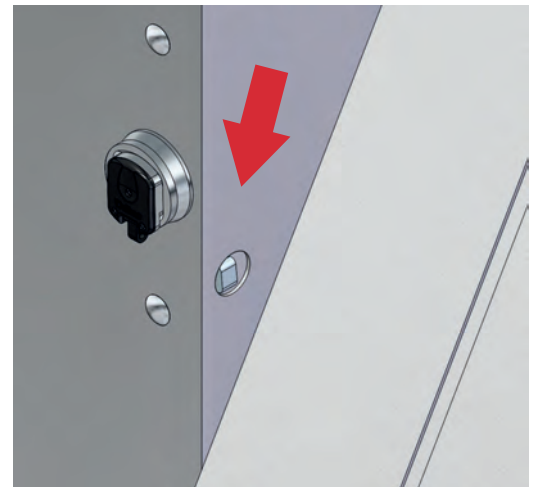


VIDEO:



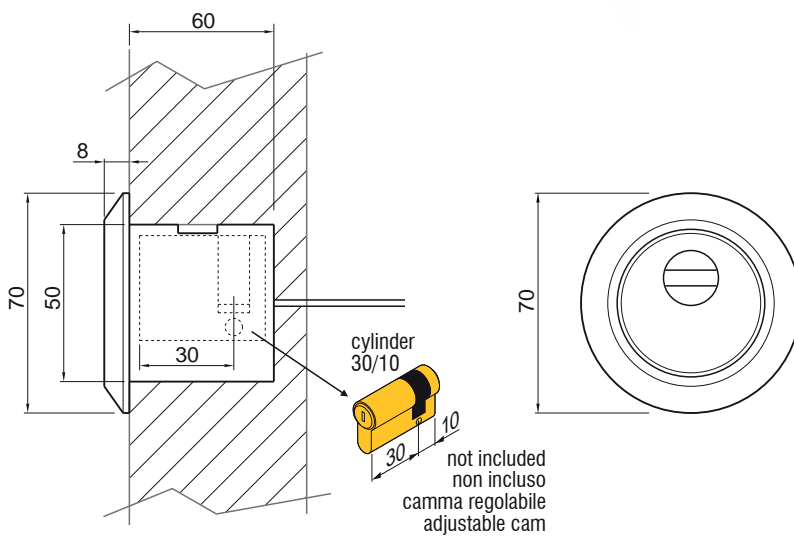
MG700CO

KMOP85





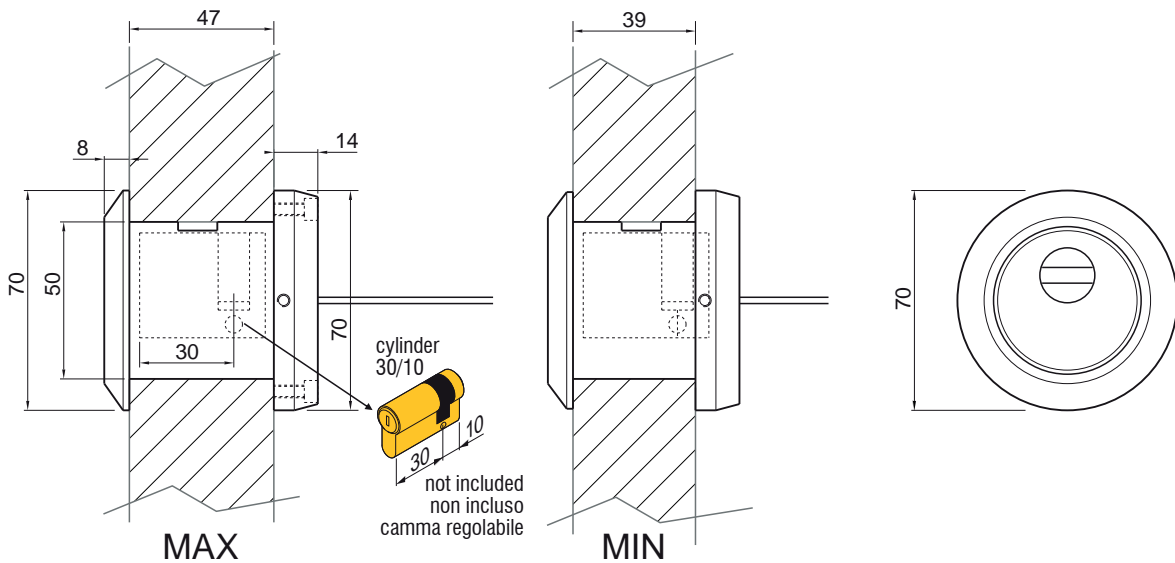
MB045M



- | | | |
|--|---|--|
| <input type="checkbox"/> W Bianco RAL 9010
White RAL 9010 | <input type="checkbox"/> N Nero
Black | <input type="checkbox"/> A Champagne anodizzato
Anodized champagne |
| <input type="checkbox"/> C Cromo lucido
Bright chrome | <input type="checkbox"/> 8 PVD Nero lucido
PVD Bright black | <input type="checkbox"/> 9 Oro anodizzato
Anodized gold |
| <input type="checkbox"/> T Cromo satinato
Satin chrome | <input checked="" type="checkbox"/> T8 PVD Nero antracite
PVD Satin black | <input type="checkbox"/> 2 PVD Ottone
PVD Brass |
| <input type="checkbox"/> 6 Argento anodizzato
Anodized silver | <input type="checkbox"/> B Bronzo
Bronze | <input type="checkbox"/> L Ottone lucido
Bright brass |
| <input checked="" type="checkbox"/> IT Inox satinato
Satin stainless steel | <input type="checkbox"/> BS Bronzo satinato
Satin bronze | <input type="checkbox"/> TT Ottone satinato
Satin brass |



MB045



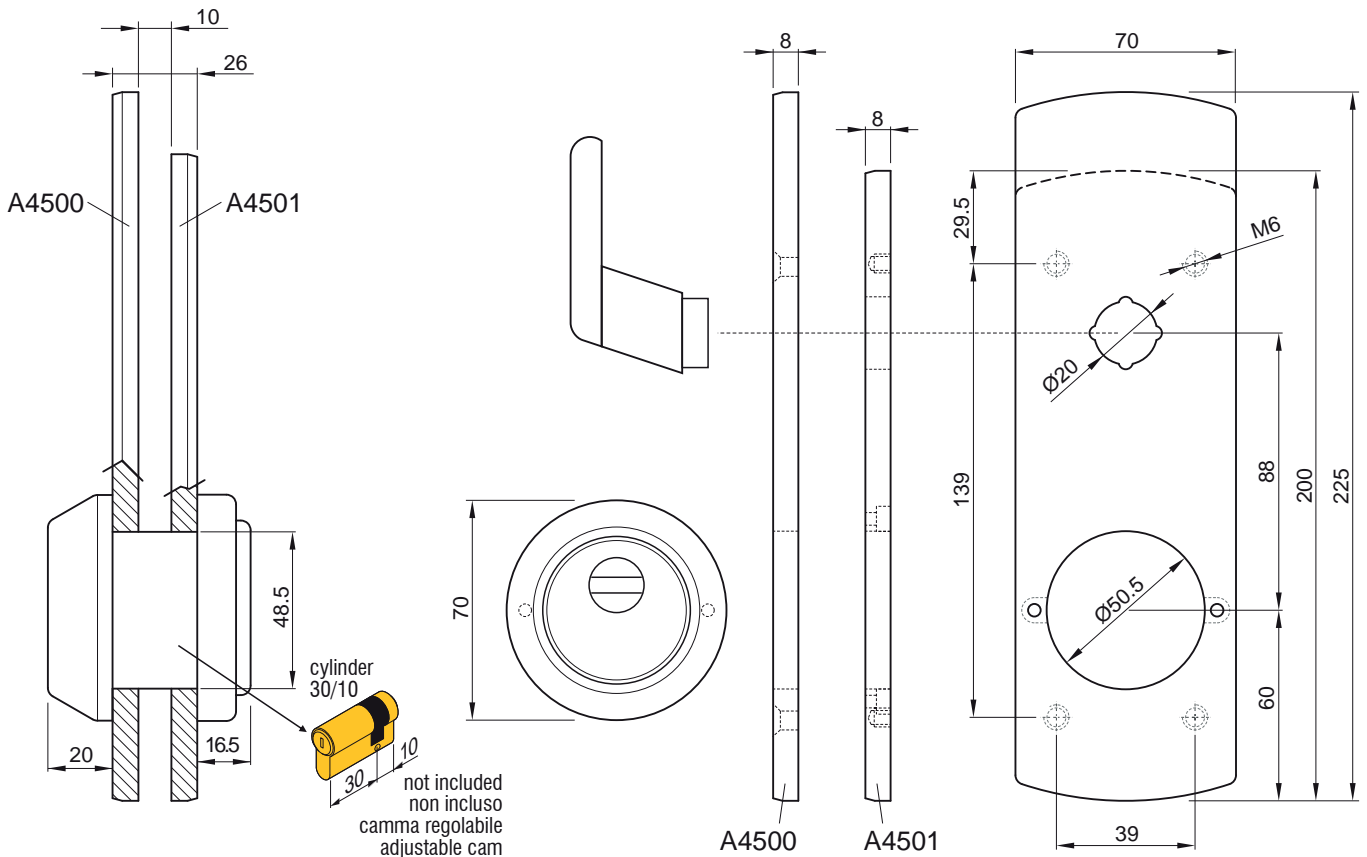
- | | | |
|---|--|---|
| <input type="checkbox"/> W Bianco RAL 9010
White RAL 9010 | <input type="checkbox"/> N Nero
Black | <input type="checkbox"/> A Champagne anodizzato
Anodized champagne |
| <input type="checkbox"/> C Cromo lucido
Bright chrome | <input type="checkbox"/> 8 PVD Nero lucido
PVD Bright black | <input type="checkbox"/> 9 Oro anodizzato
Anodized gold |
| <input type="checkbox"/> T Cromo satinato
Satin chrome | <input checked="" type="checkbox"/> T8 PVD Nero antracite
PVD Satin black | <input type="checkbox"/> 2 PVD Ottone
PVD Brass |
| <input type="checkbox"/> 6 Argento anodizzato
Anodized silver | <input type="checkbox"/> B Bronzo
Bronze | <input type="checkbox"/> L Ottone lucido
Bright brass |
| <input checked="" type="checkbox"/> IT Inox satinato
Satin stainless steel | <input type="checkbox"/> BS Bronzo satinato
Satin bronze | <input type="checkbox"/> TT Ottone satinato
Satin brass |

VIDEO:

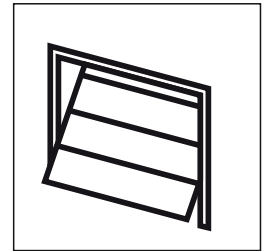
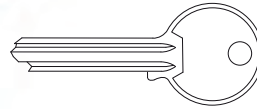




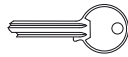
MB045PLA



<input type="checkbox"/> W	Bianco RAL 9010 White RAL 9010	<input checked="" type="checkbox"/> N	Nero Black	<input type="checkbox"/> A	Champagne anodizzato Anodized champagne
<input type="checkbox"/> C	Cromo lucido Bright chrome	<input type="checkbox"/> 8	PVD Nero lucido PVD Bright black	<input type="checkbox"/> 9	Oro anodizzato Anodized gold
<input type="checkbox"/> T	Cromo satinato Satin chrome	<input type="checkbox"/> T8	PVD Nero antracite PVD Satin black	<input type="checkbox"/> 2	PVD Ottone PVD Brass
<input type="checkbox"/> 6	Argento anodizzato Anodized silver	<input type="checkbox"/> B	Bronzo Bronze	<input type="checkbox"/> L	Ottone lucido Bright brass
<input type="checkbox"/> IT	Inox satinato Satin stainless steel	<input type="checkbox"/> BS	Bronzo satinato Satin bronze	<input type="checkbox"/> TT	Ottone satinato Satin brass



RIF031



MG835 CON CHIAVE MAGNETICA
WITH MAGNETIC KEY

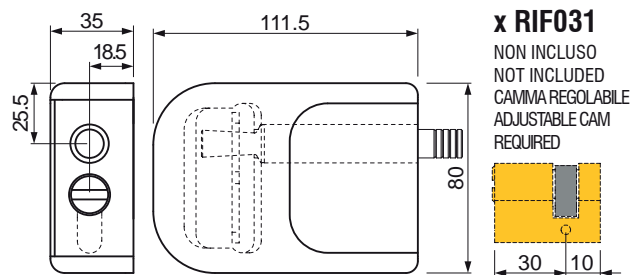
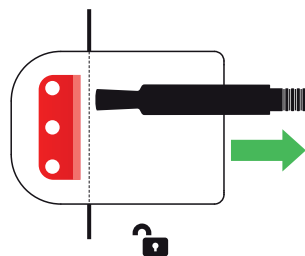
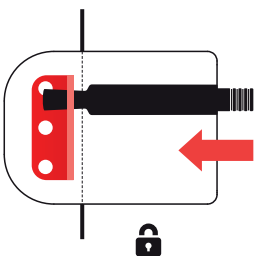


VIDEO:



CHIUSO / CLOSED

APERTO / OPEN

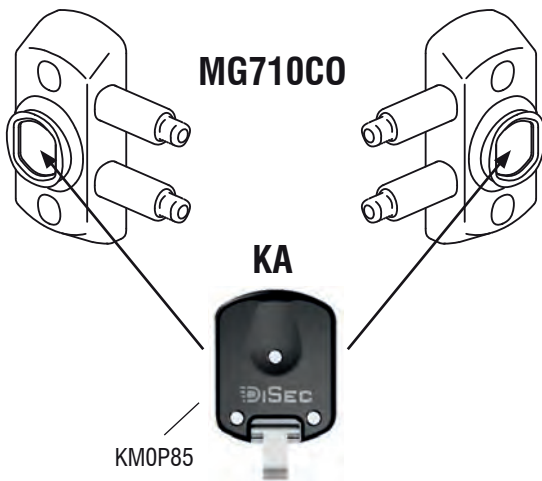




HEAVY DUTY



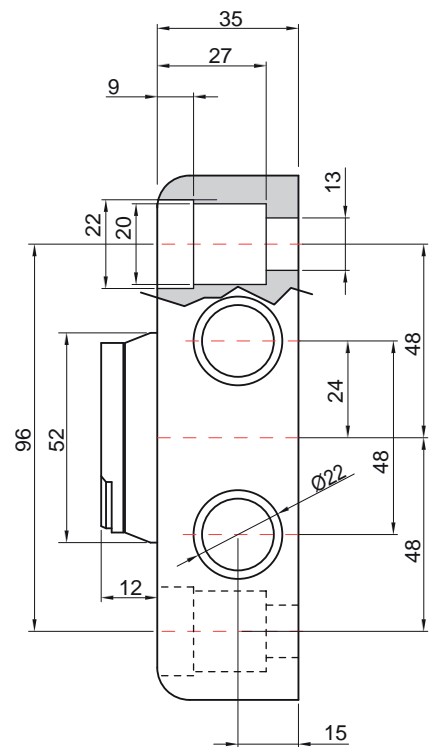
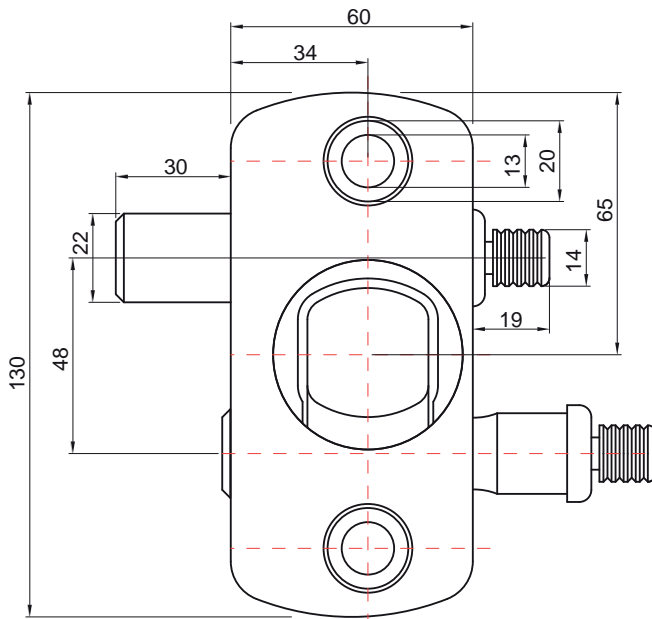
MG710
(dx / sx)



MG710CO

KA

KMOP85

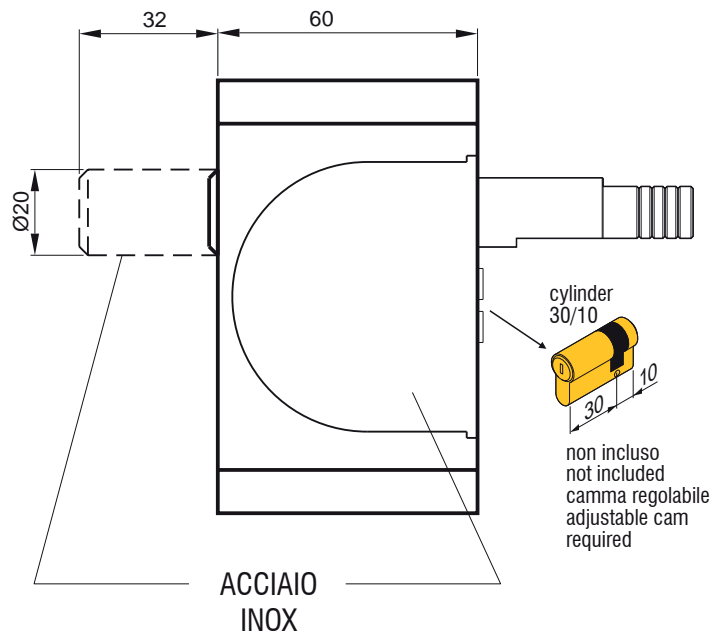
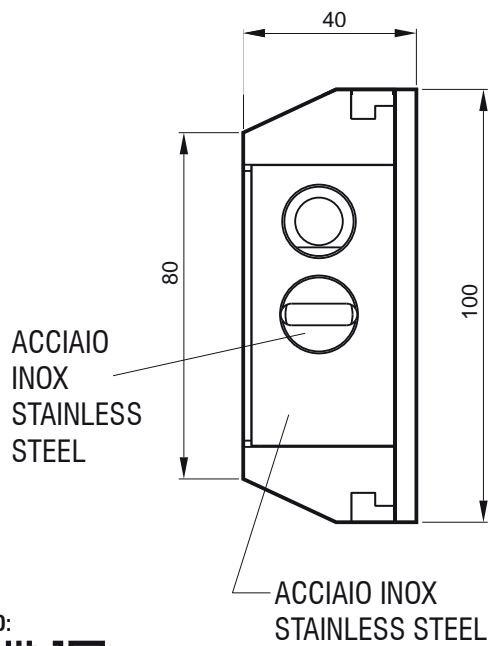


VIDEO:





RIF06 (DX & SX)

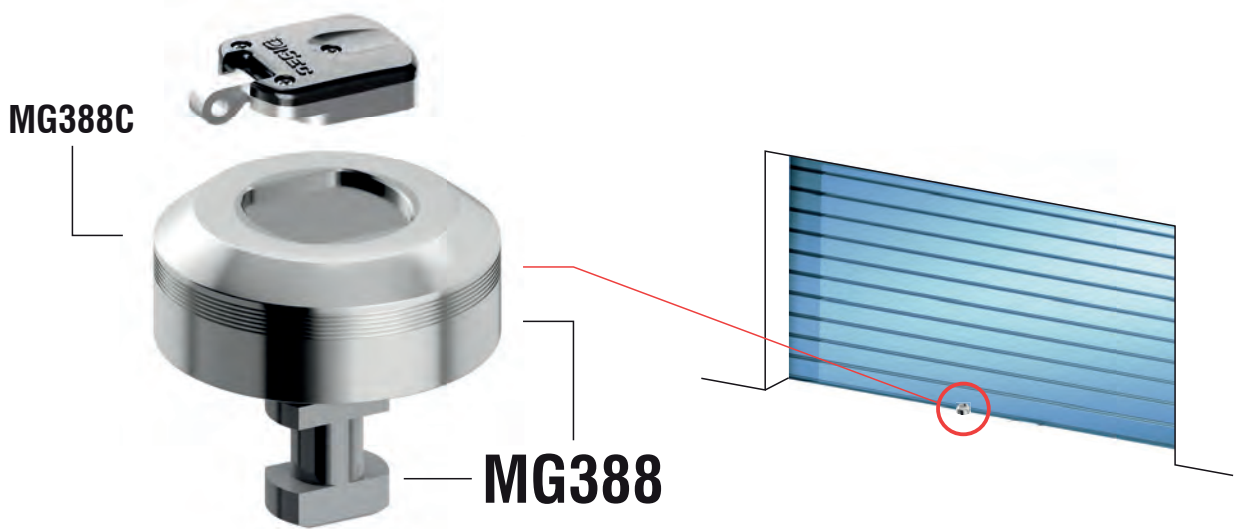


VIDEO:



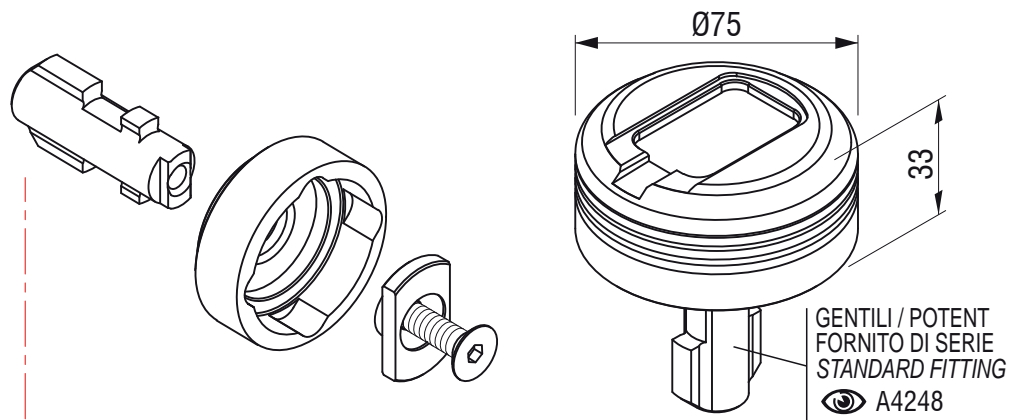


HEAVY DUTY

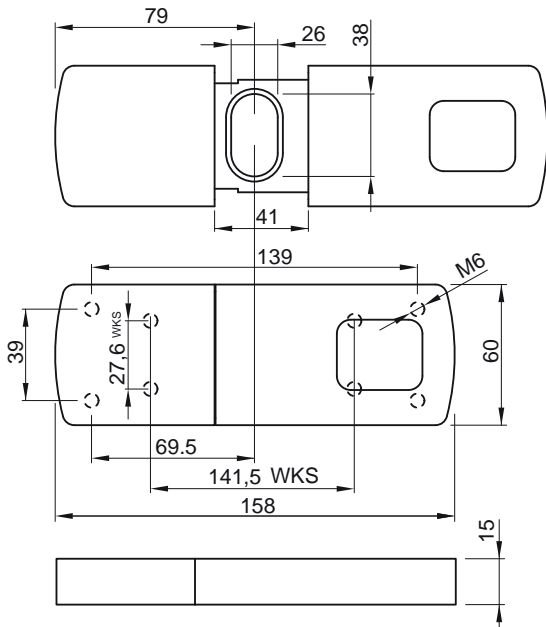
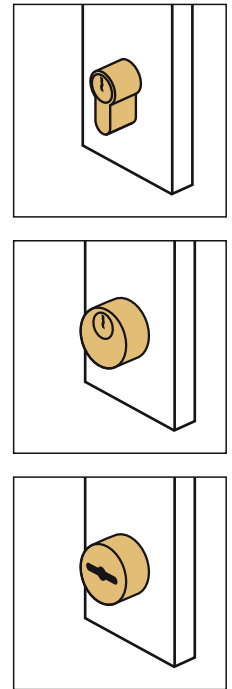


Corpo in acciaio INOX.
Barra di blocco in acciaio zincato, può essere facilmente sostituita in base alla serratura.
2 chiavi (magnetiche) a corredo.

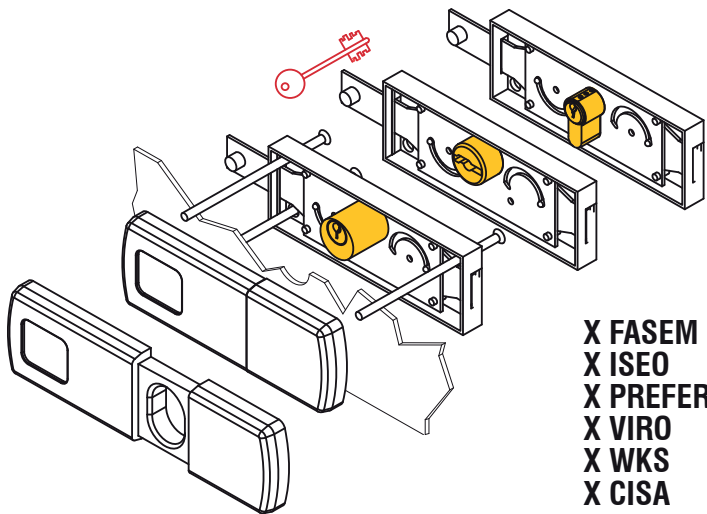
*Body made in stainless steel.
Zinc coated plug lock. The body can accept all the plugs indicated below.
2 magnetic keys included.*



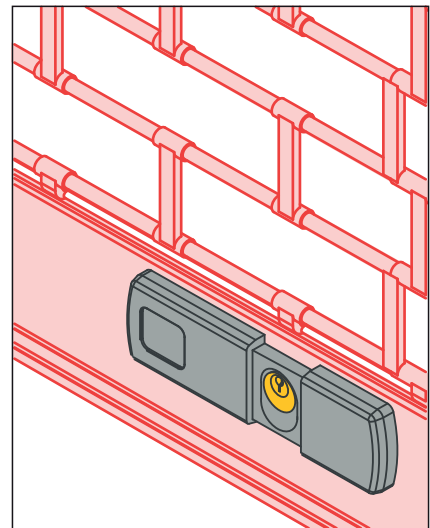
A4248 x GENTILI / POTENT	A4321 x YALE / CORBIN	A4320 x VIRO	A4319 x PREFER	A4318 x ALA



VIDEO:

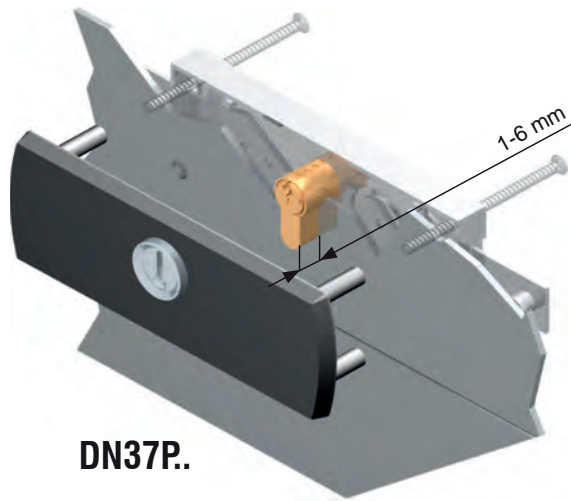


- X FASEM
- X ISEO
- X PREFER
- X VIRO
- X WKS
- X CISA

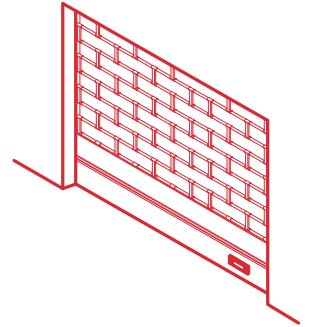
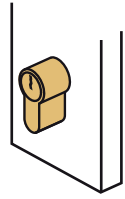
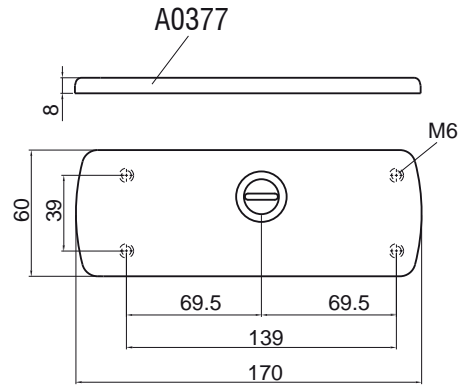


N Nero
Black

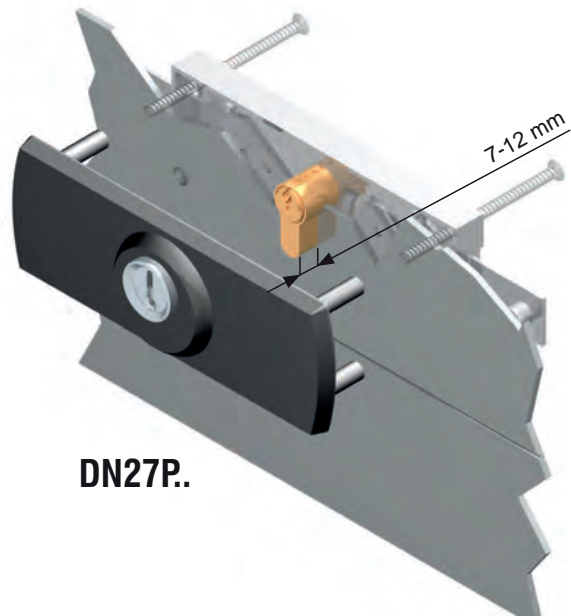




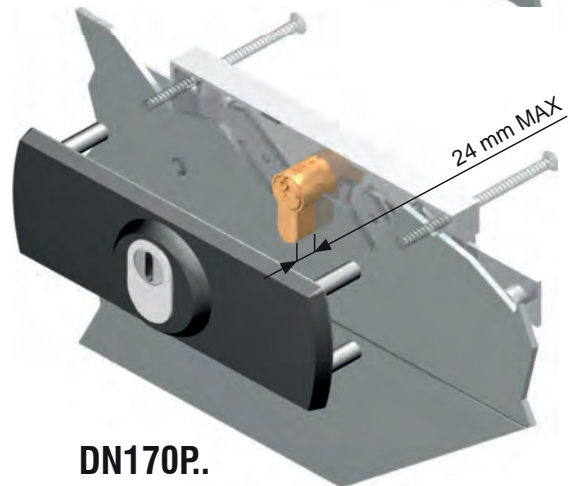
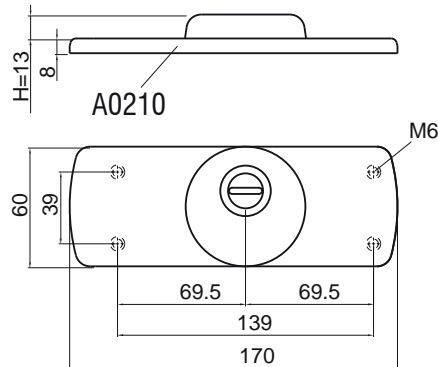
DN37P..



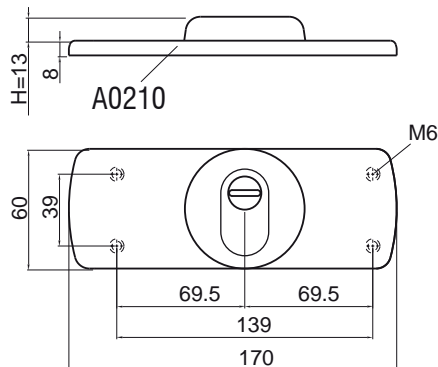
X FASEM
X ISEO
X PREFER
X CISA



DN27P..



DN170P..



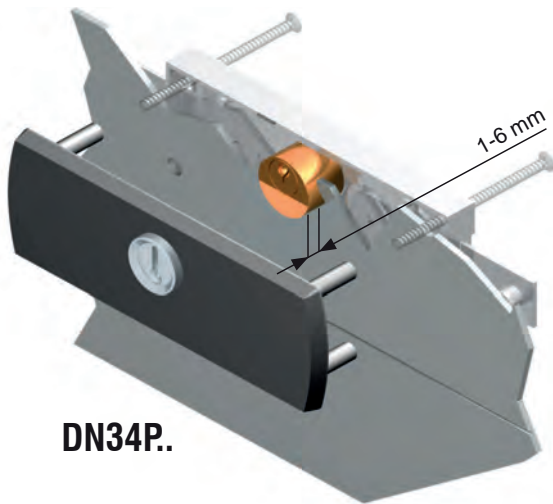
N Nero
Black

Standard
S1 3.5

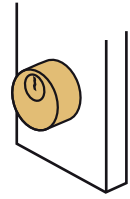
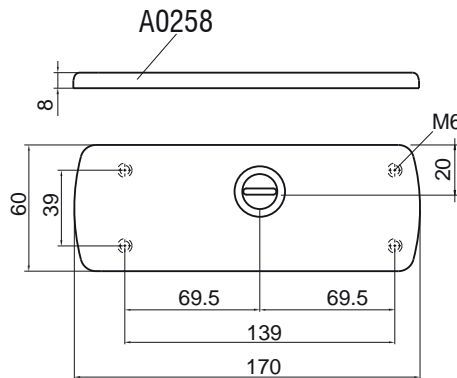
Dom
D1 5



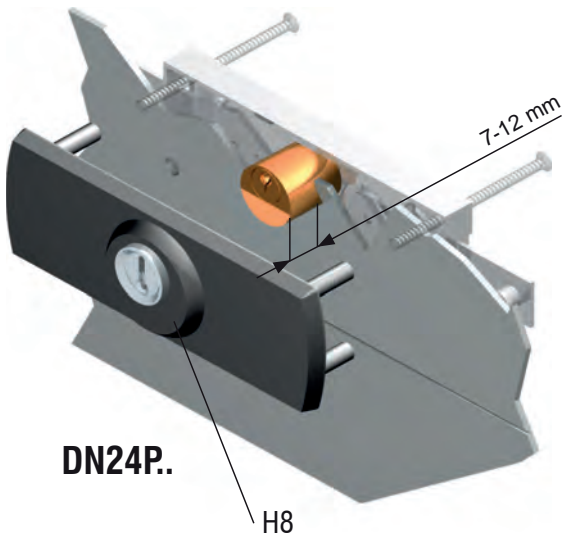
pag.



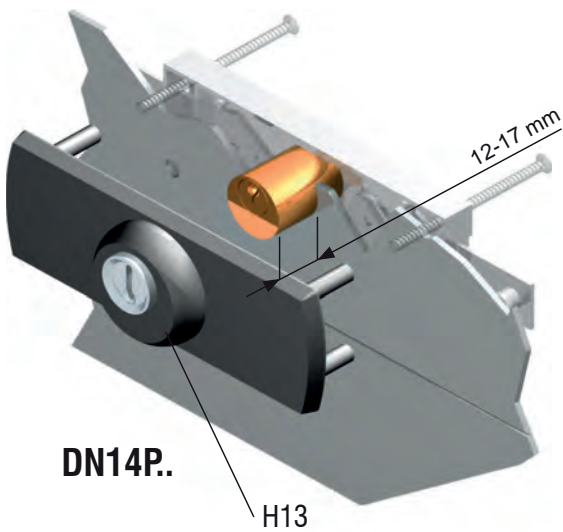
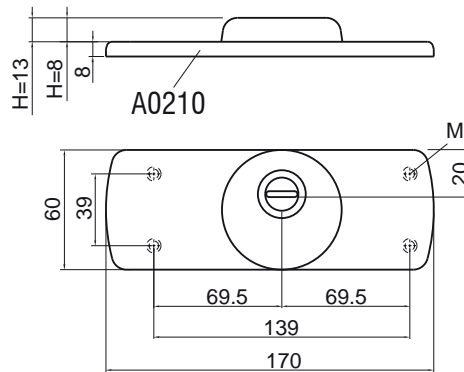
DN34P.



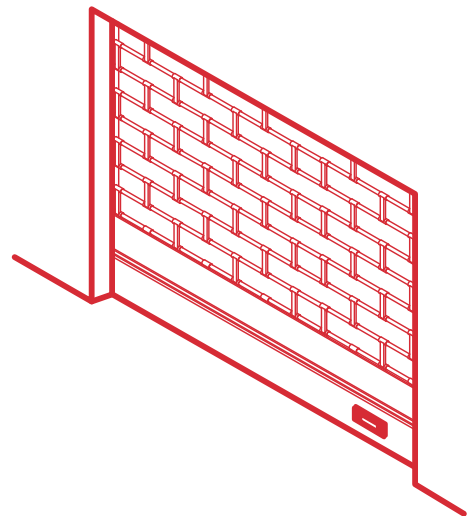
X FASEM
X ISEO
X PREFER
X CISA



DN24P.



DN14P.



N Nero
Black

Accessori
Accessories



Standard
S1 3.5

Dom
D1 5







FINESTRE
Windows





PAT. PEND.



SP01 code

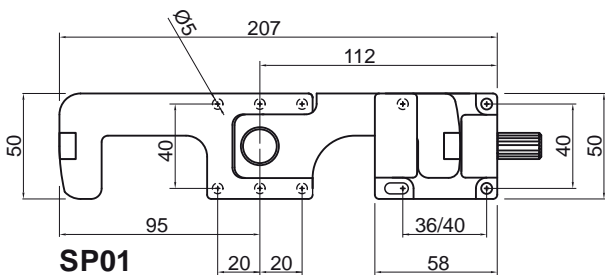


CODE

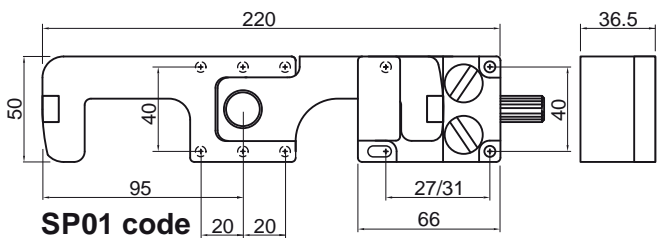


SP01

VIDEO:



SP01



SP01 code

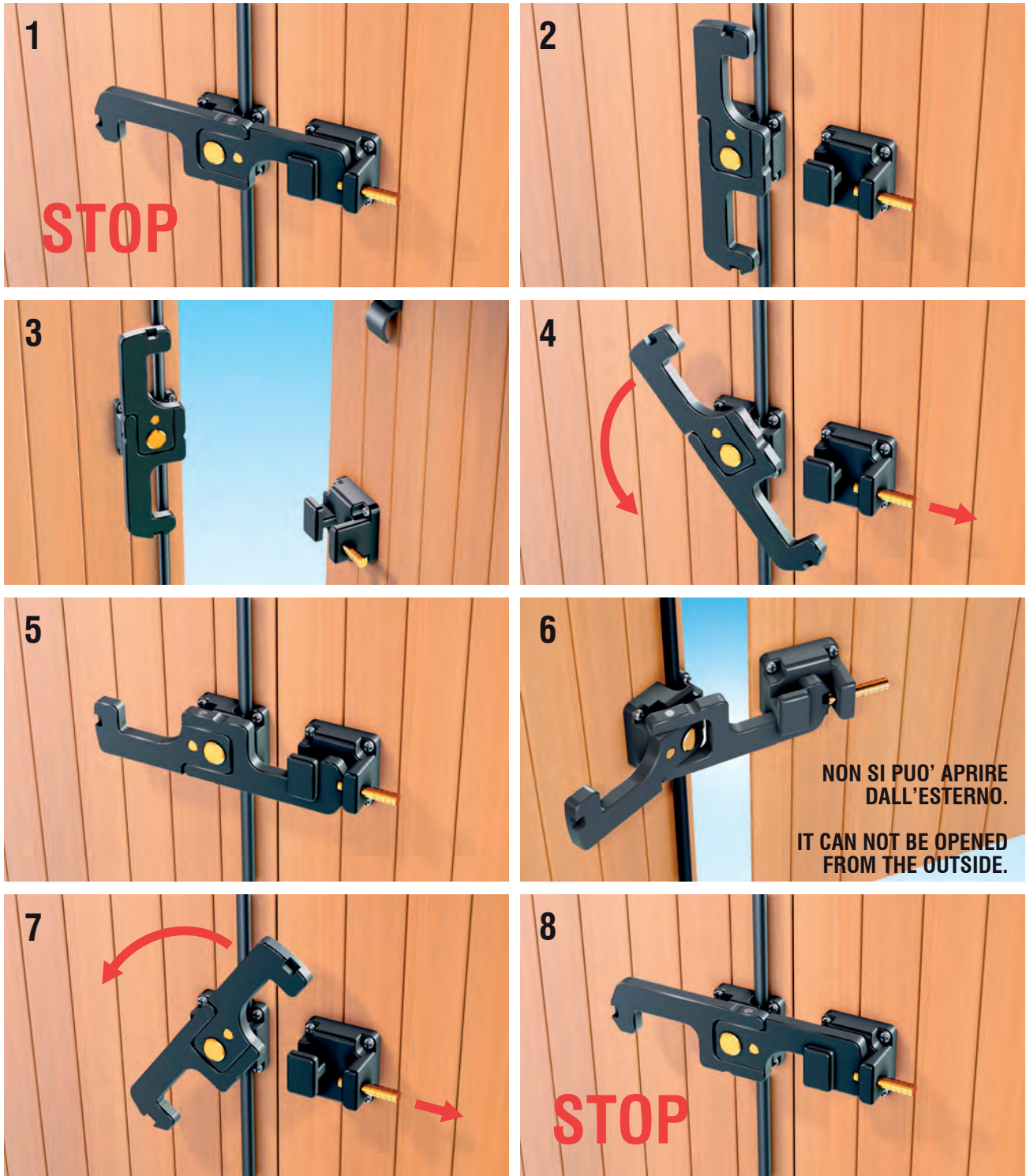


fig. 1-8 Barra orizzontale dritta mantiene gli scuri saldamente bloccati.

fig. 6 Barra girata di 180° Spingendo una delle ante verso l'esterno il braccio si piega e permette la parziale apertura delle ante. Piegandosi il braccio si blocca e mantiene lo scuro in sicurezza (non apribile dall'esterno) nonostante la semi-apertura. Per poterlo richiudere è necessario riportarlo in posizione parallela (perciò con ante chiuse).

fig. 2 Barra verticale neutra; in questa posizione la barra rimane bloccata verticalmente in modo da non interferire con le ante.

fig. 1-8 When locked horizontally, the bar keeps the shutters firmly locked. With the bar rotated of 180°, by pushing the

fig. 6 shutters outward, one of the two arms, folds in and allows the partial opening.

When folded, one of the arms, wedges in the dovetailed base and keeps the pannels blocked, not openable from outside. To close the shutter back, it is necessary to realine the bar (therefore to close it).

When vertical the bar is in neutral position; in this situation the bar remains locked vertically so not to interfere with the shutters.

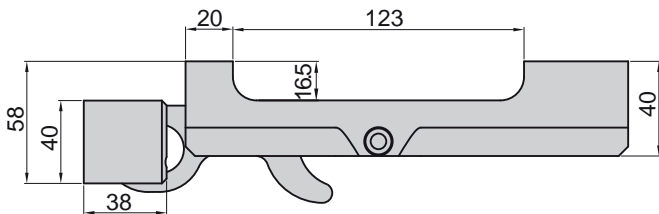
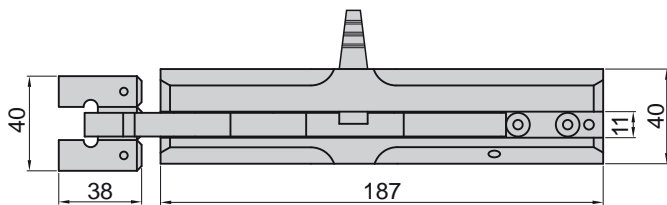
fig. 2



VIDEO:

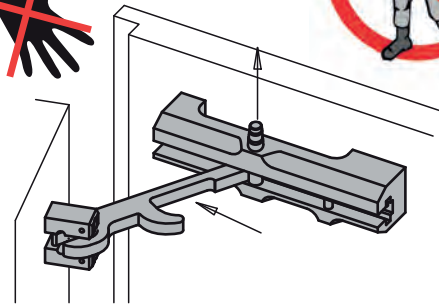


SP03



**NON SI PUO' APRIRE
DALL'ESTERNO**

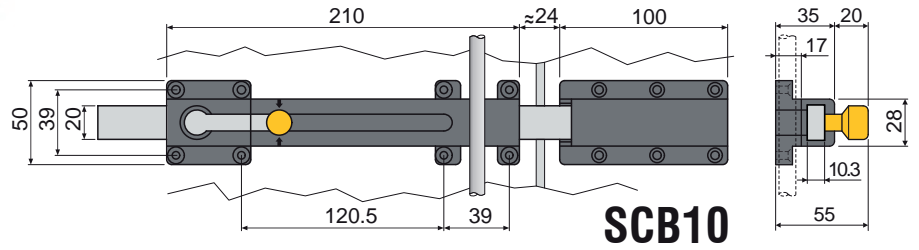
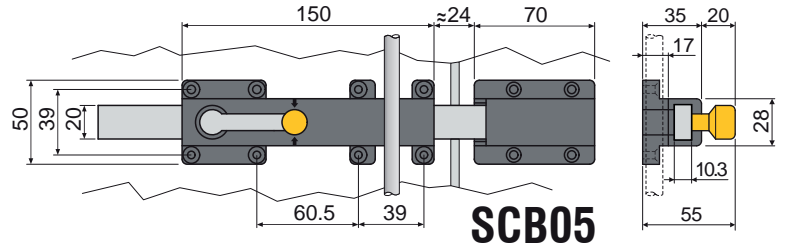
*It can not be opened
from the outside*



N Nero
Black



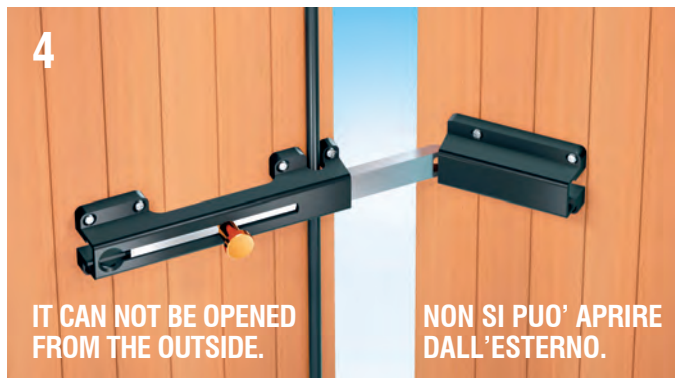
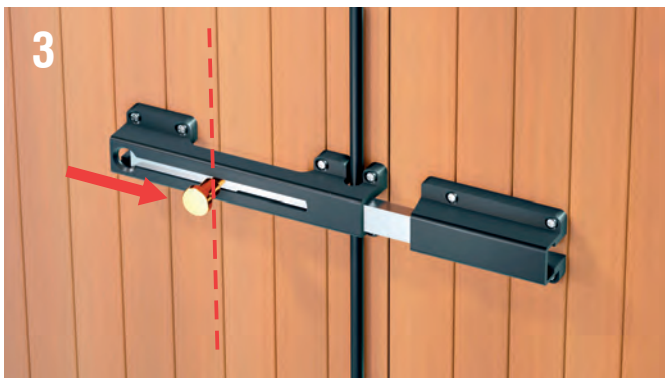
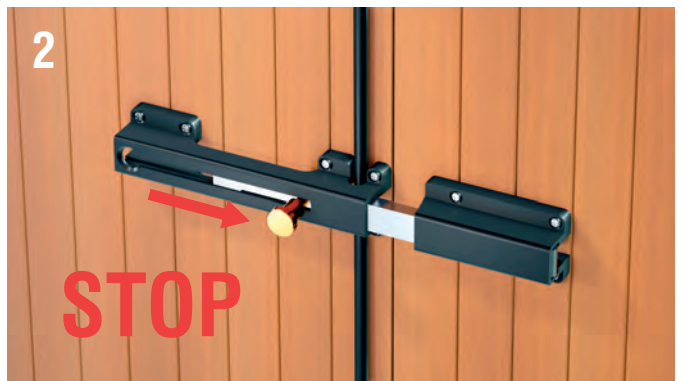
**BARRA ANTI INTRUSIONE
ARTICULATED ANTI-INTRUSION BAR**



VIDEO:

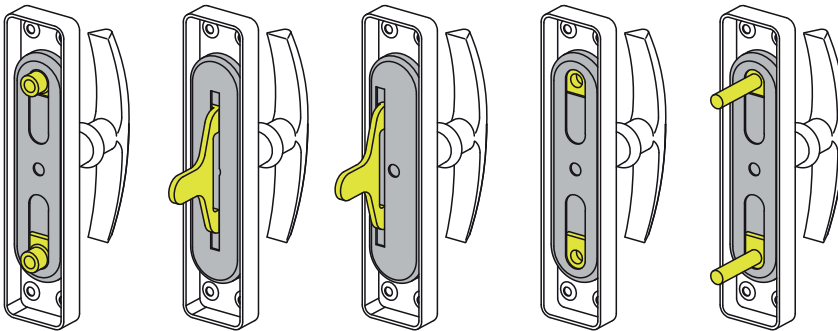
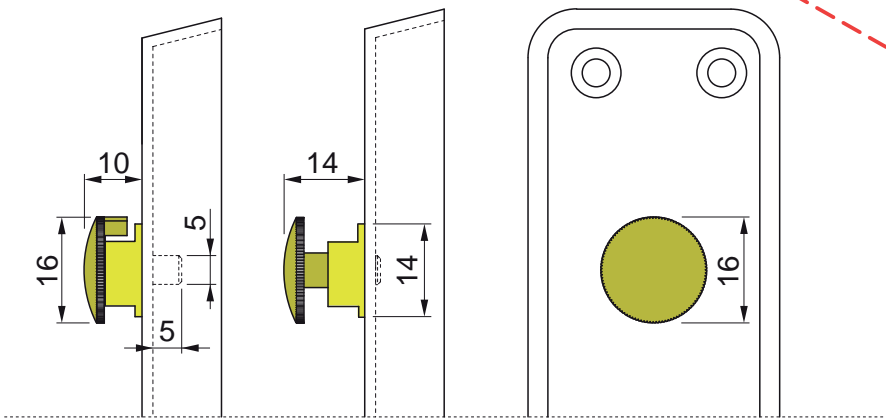
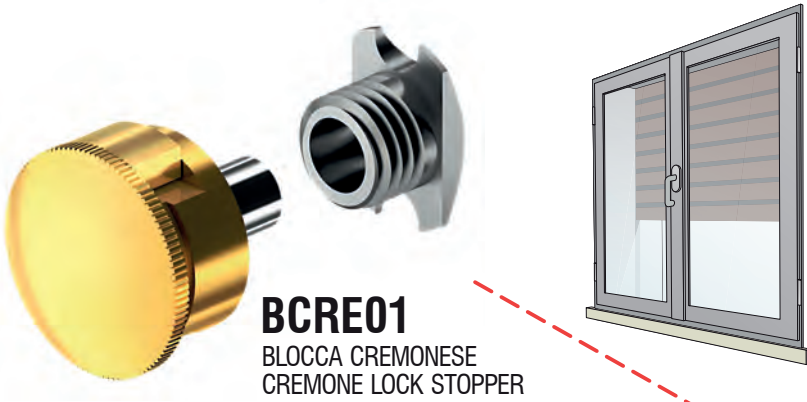


Catenaccio per scuri e persiane con apertura a giorno in sicurezza.
Deadbolt for shutters with articulated locking bar for secure partial opening.

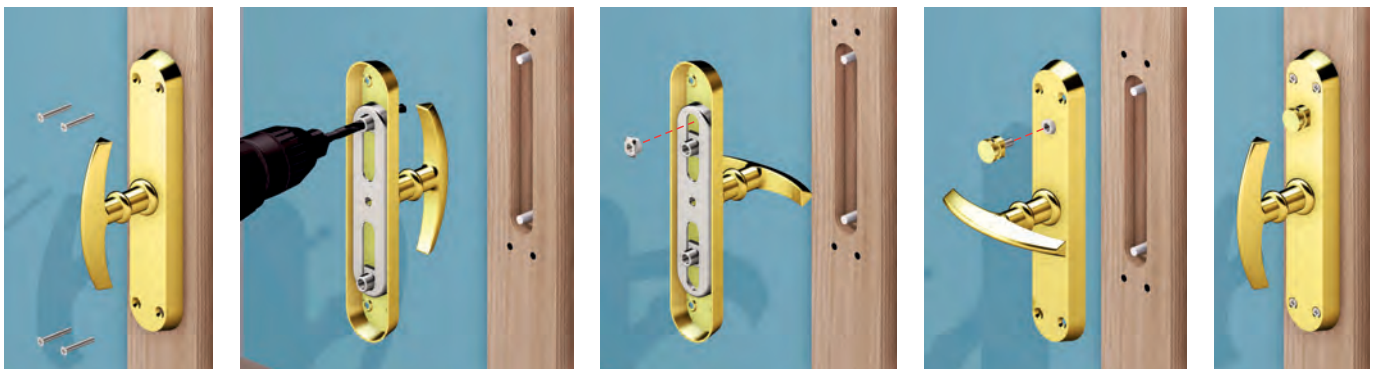




PAT. PEND.

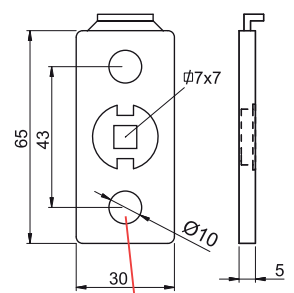
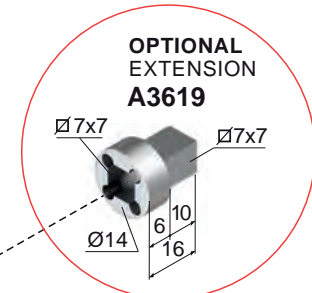
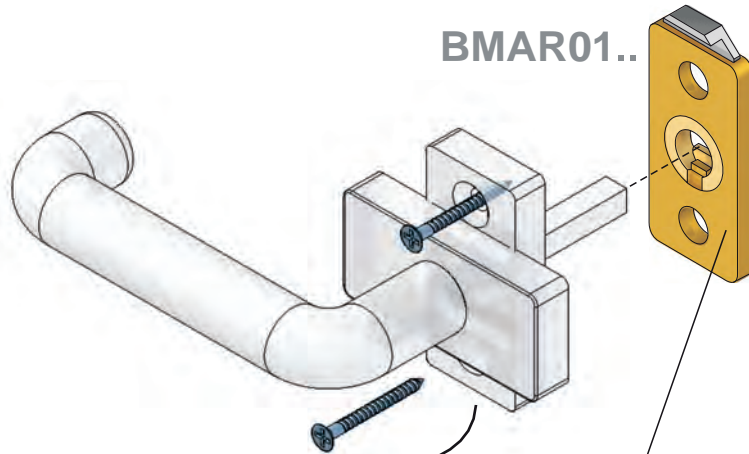
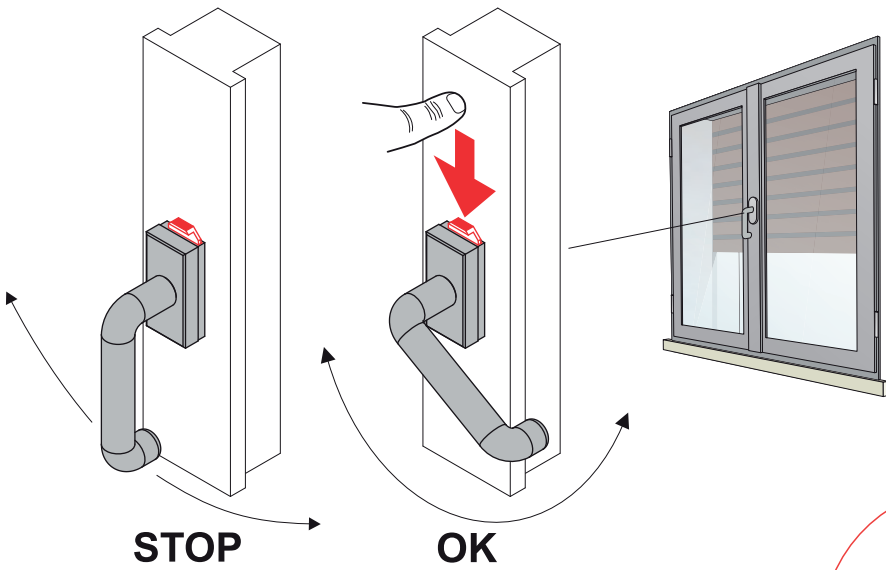


- T Cromo satinato
Satin chrome
- B Bronzo
Bronze
- 2 PVD Ottone
PVD Brass

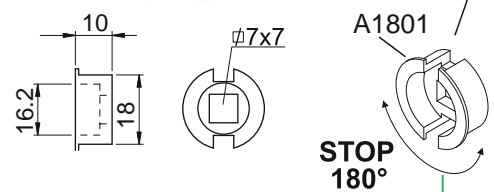
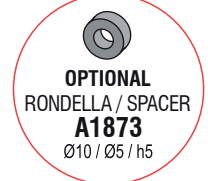




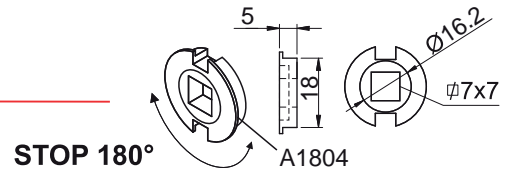
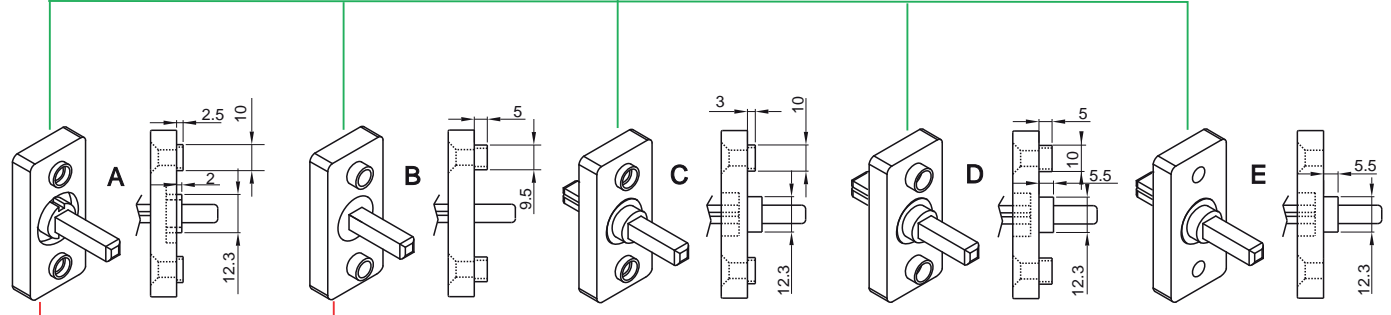
PAT. PEND.



DA MONTARE SU DK ESISTENTI
For dry keep handles already in placed



BMAR01B18

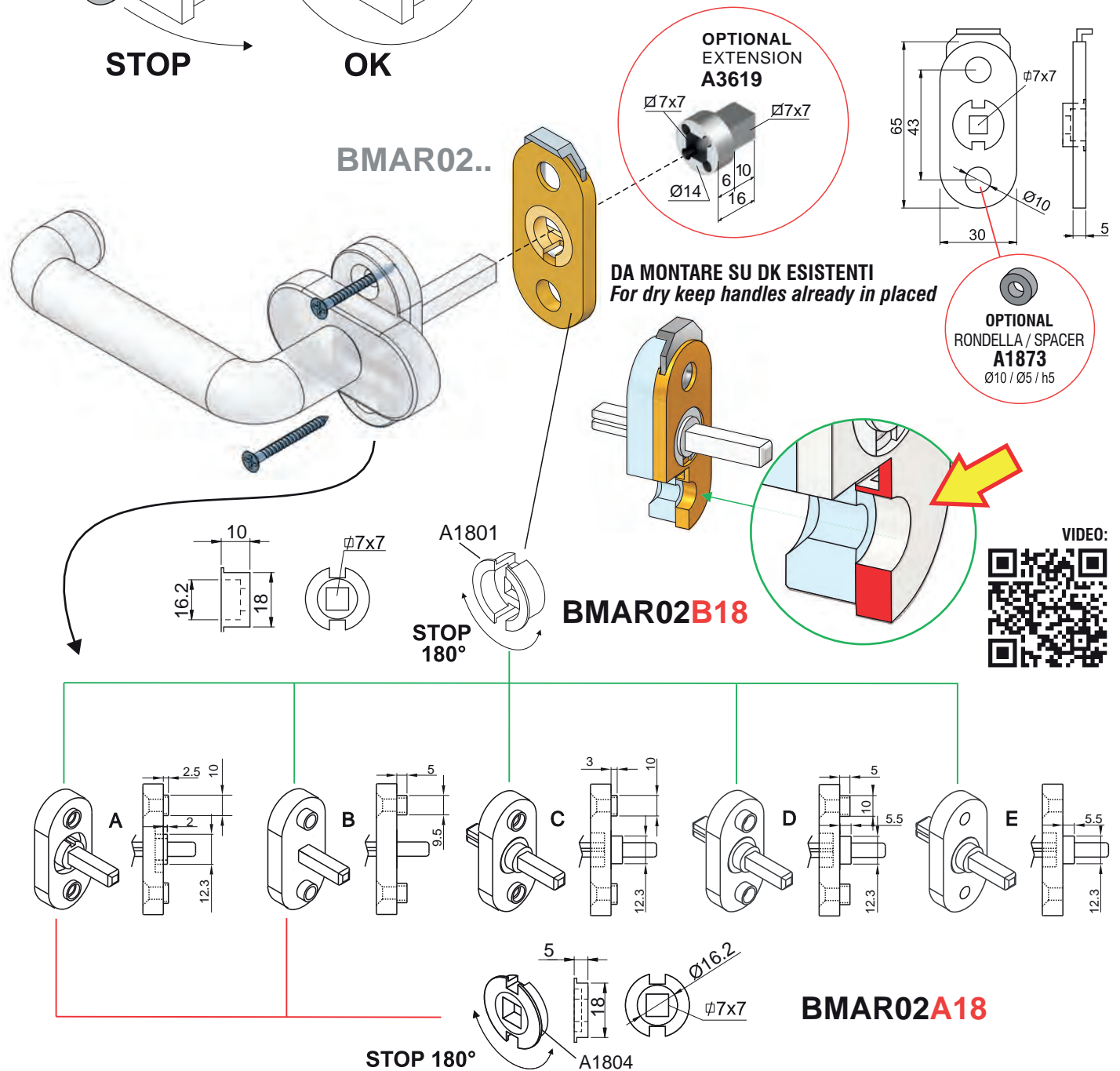
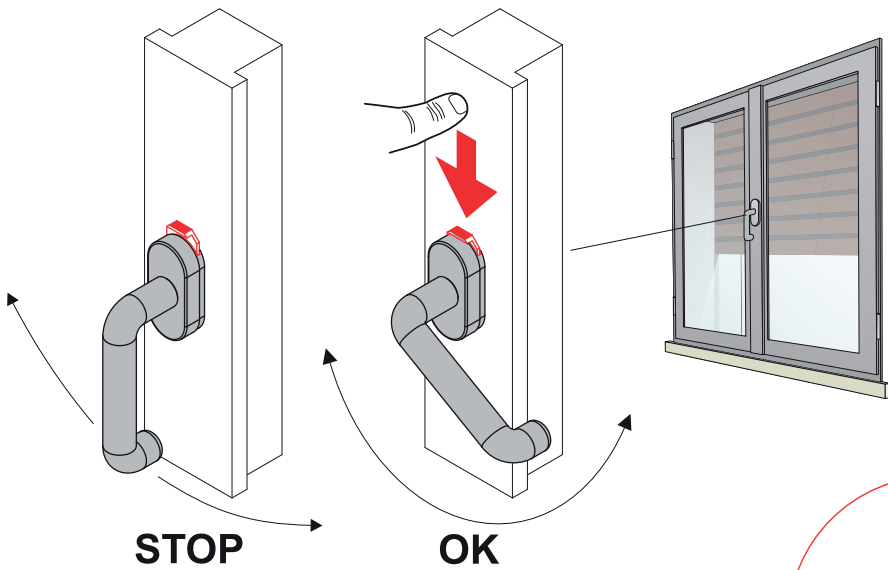


BMAR01A18

- F6** Cromo satinato
Satin chrome
- N** Nero
Black
- L** Ottone lucido
Bright brass
- B** Bronzo
Bronze



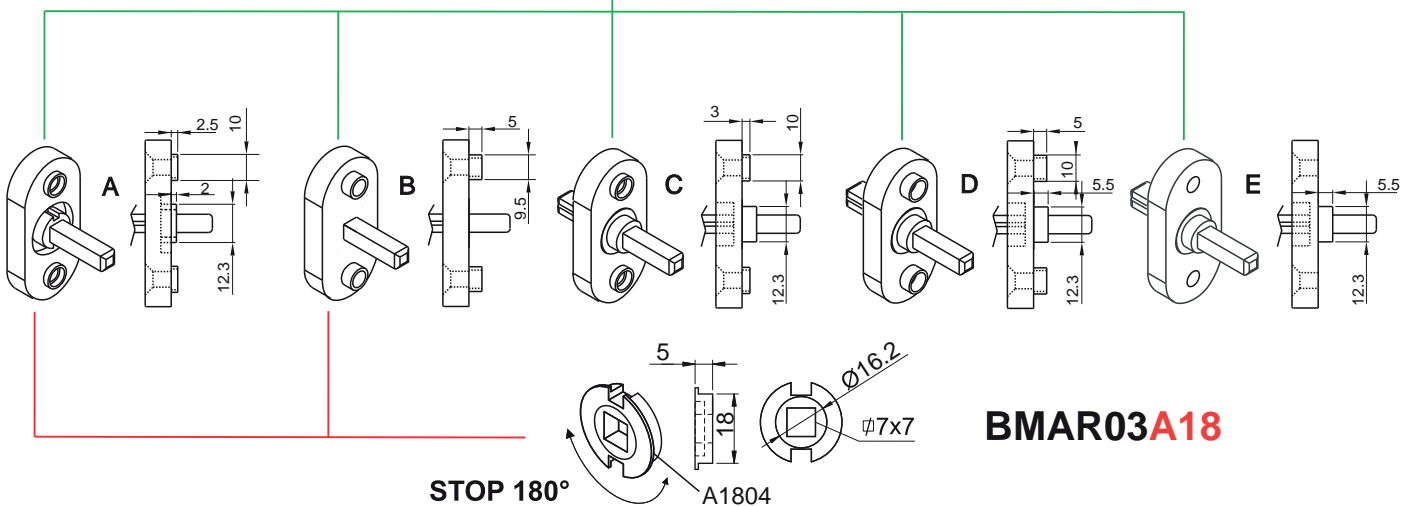
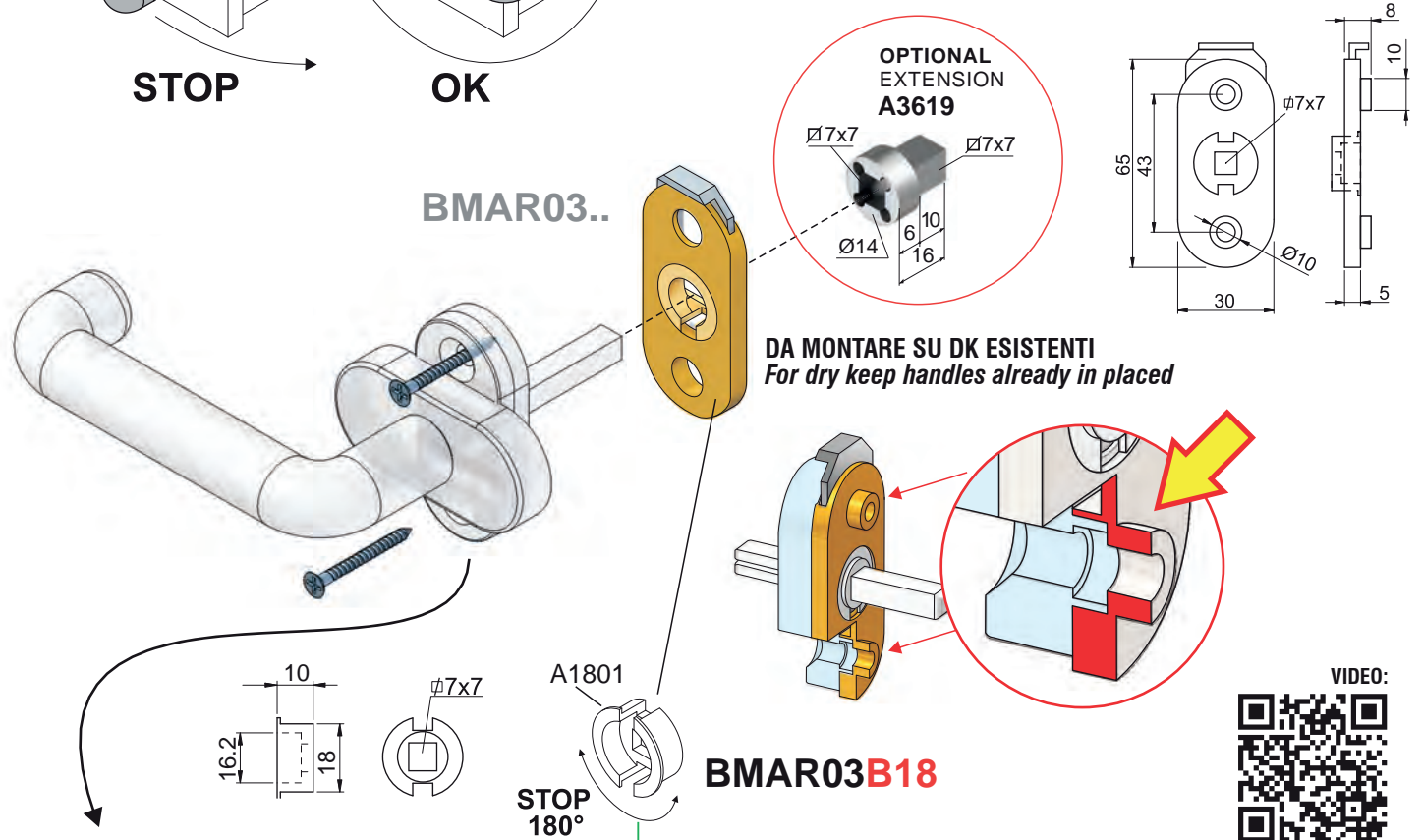
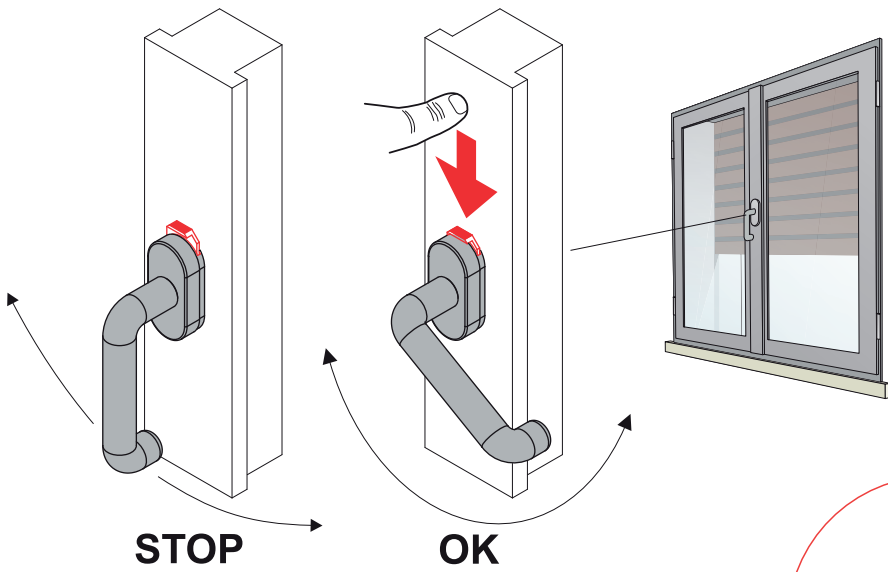
PAT. PEND.



- F6** Cromo satinato
Satin chrome
- 6** Argento anodizzato
Anodized silver
- N** Nero
Black
- B** Bronzo
Bronze
- L** Ottone lucido
Bright brass
- 9** Oro anodizzato
Anodized gold



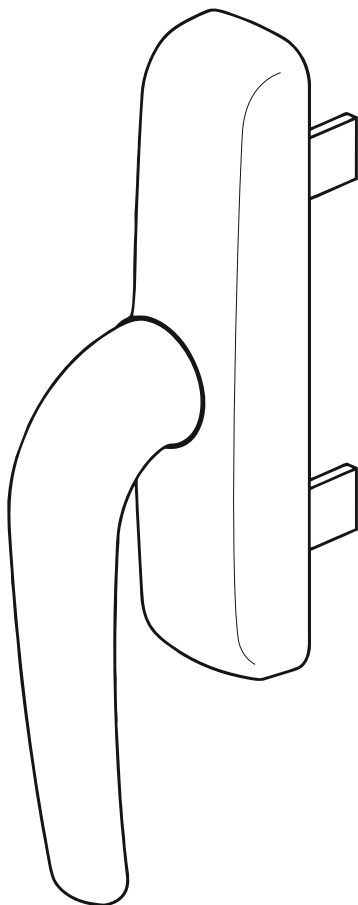
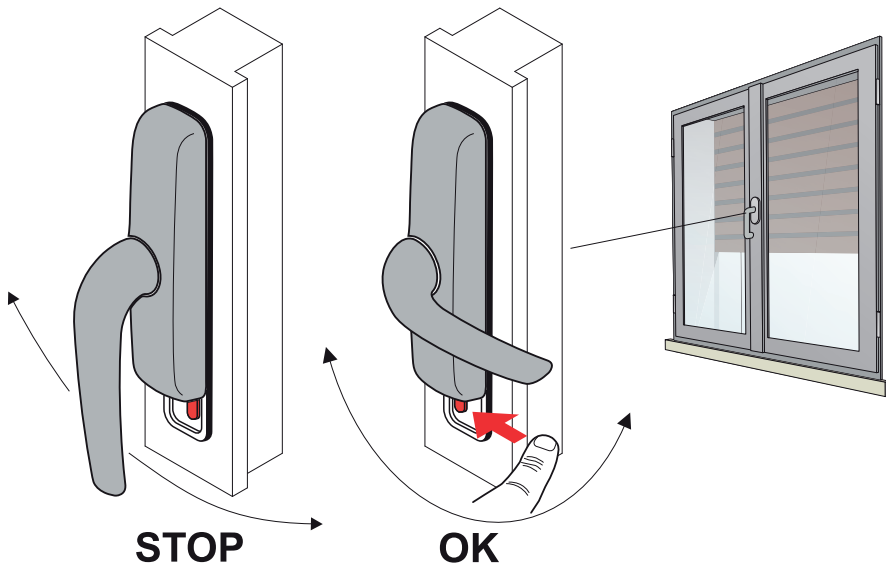
PAT. PEND.



- F6** Cromo satinato
Satin chrome
- 6** Argento anodizzato
Anodized silver
- N** Nero
Black
- B** Bronzo
Bronze
- L** Ottone lucido
Bright brass
- 9** Oro anodizzato
Anodized gold



PAT. PEND.



SERIE
BMAR08.....



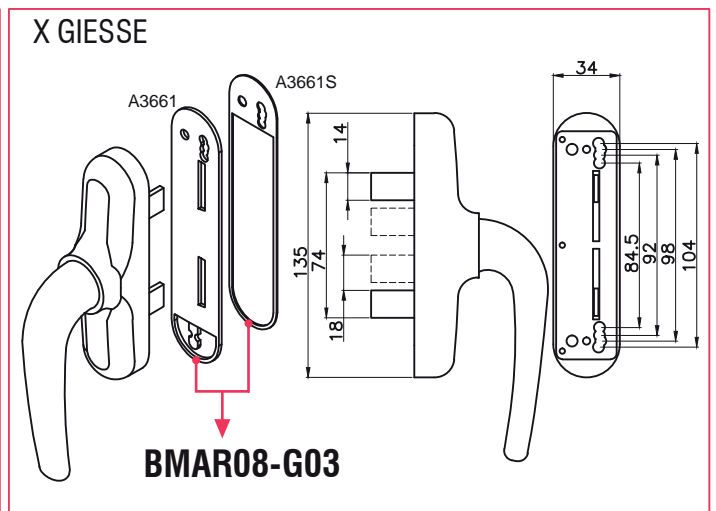
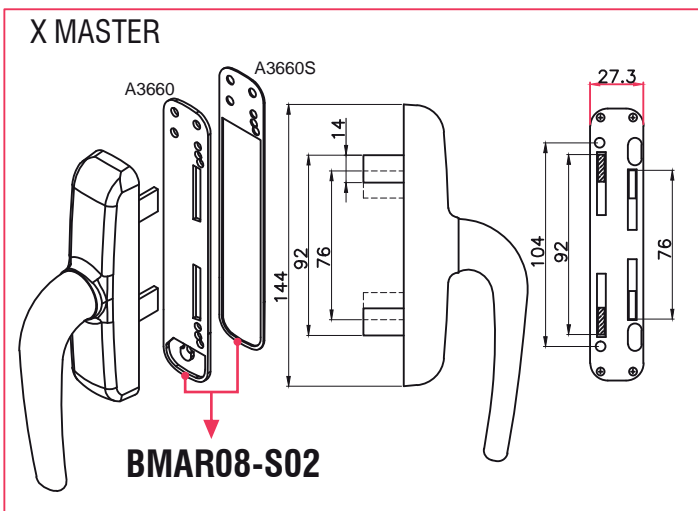
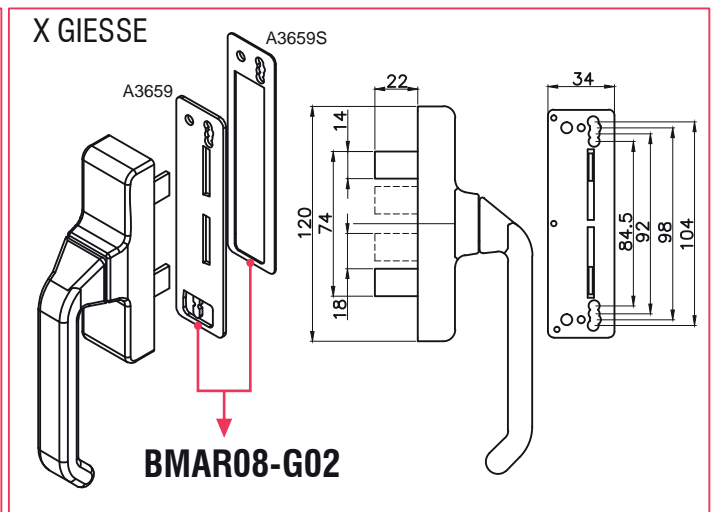
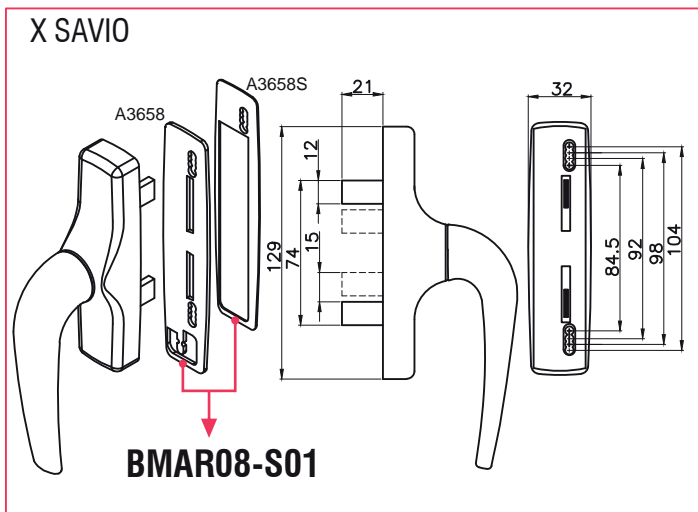
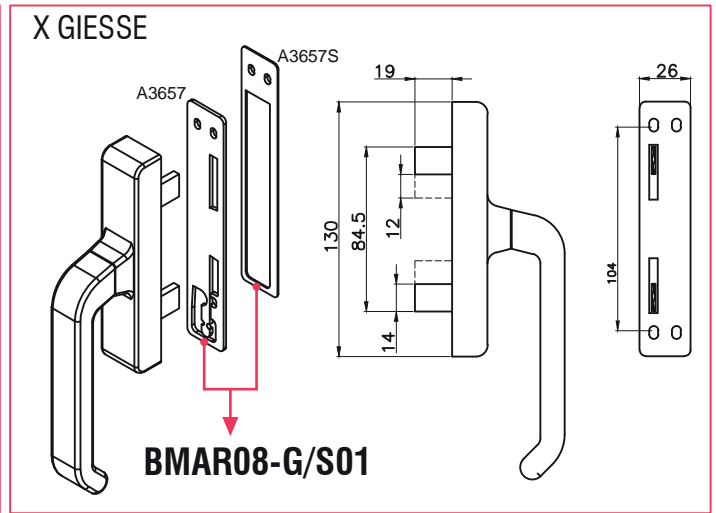
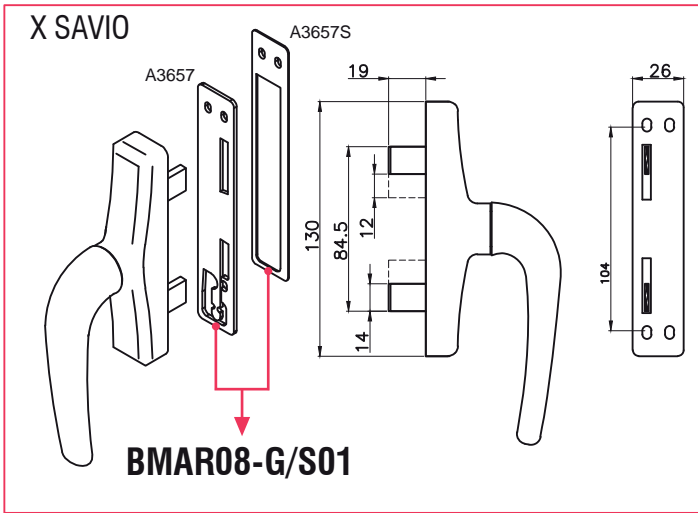
IT Inox satinato
Satin stainless steel

VIDEO:



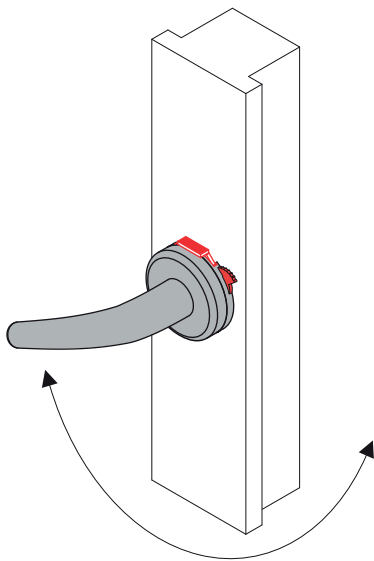


SERIE BMAR08.....



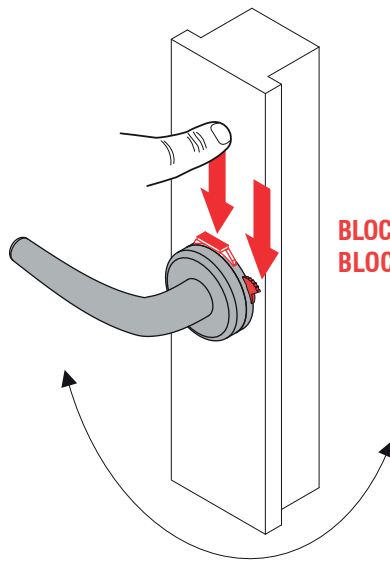


PAT. PEND.



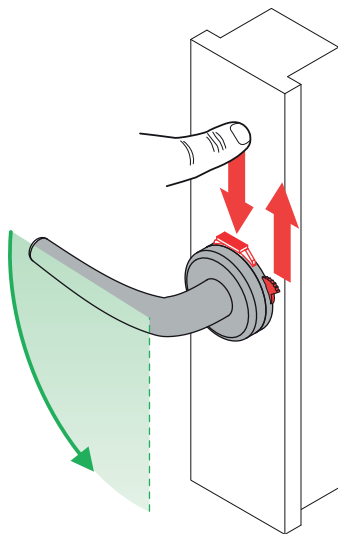
OK

MANIGLIA LIBERA
HANDLE FREE



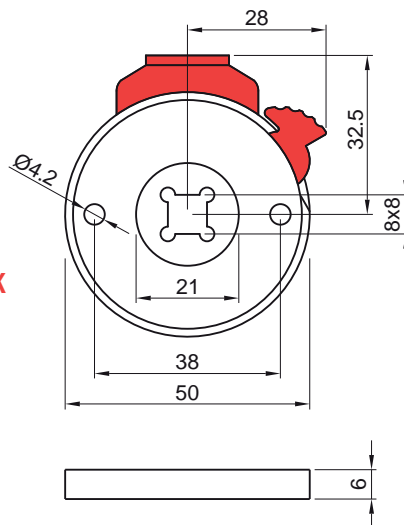
STOP

MANIGLIA BLOCCATA
HANDLE BLOCKED

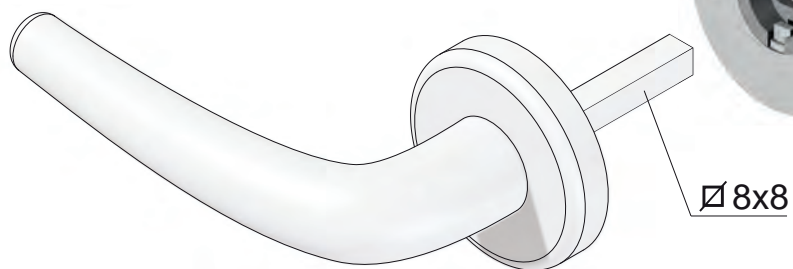


**SBLOCCO
TO UNBLOCK**

**SBLOCCO
TO UNBLOCK**

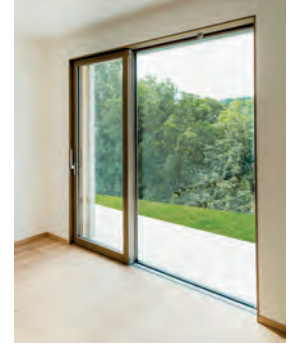


BMAR05



VIDEO:





Disponibile in due versioni:

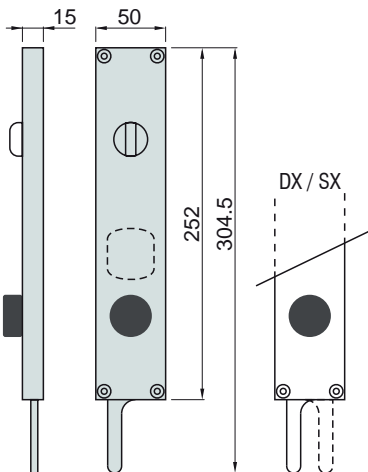
1. **con chiave magnetica** (KTN500MG)
2. **senza chiave** (KTN500)

1. Nel primo caso (**KTN500MG**) le prime tre mandate sono libere mentre la quarta mandata, quella di chiusura, viene inserita solo con l'ausilio della chiave magnetica. Per riportare il catenaccio in posizione aperta sarà necessario agire sul pomolo con la chiave magnetica alloggiata in posizione.
2. Nel secondo caso (**KTN500**), senza chiave magnetica, la corsa del catenaccio viene movimentata esclusivamente dal pomolo.

Available in two different versions:

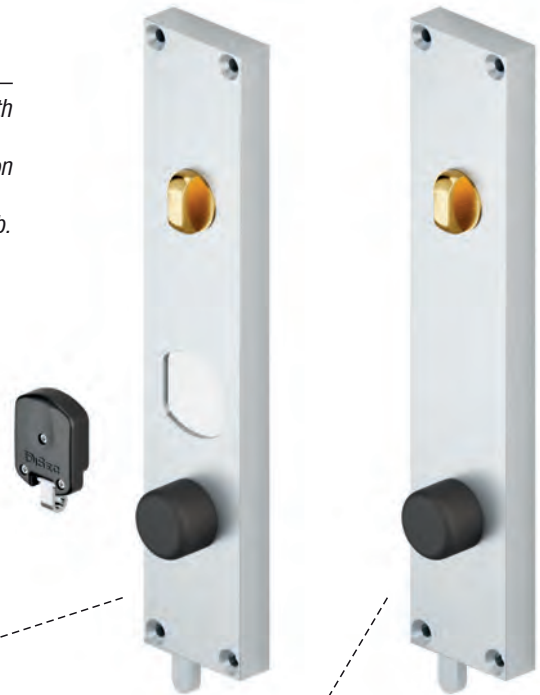
1. **with magnetic key** (KTN500MG)
2. **without key** (KTN500)

1. In the first case (**KTN500MG**) the first three rotations of the knob are free while the fourth is locking the bolt. if the magnetic key is used. To open, when the fourth rotation has been made, it is necessary to use the key while rotation the knob.
2. In the second case (**KTN500**), without key the deadbolt is moved exclusively by the knob.



COLORI DISPONIBILI
COLOURS AVAILABLE:

- Nero (N) Black
- Bianco (W) White
- Argento anodizzato (6) Anodized silver



KTN500MG

BLOCCO PER ALZANTE
A CHIUSURA MAGNETICA
LIFT AND SLIDE
DOOR BLOCKER
WITH MAGNETIC KEY

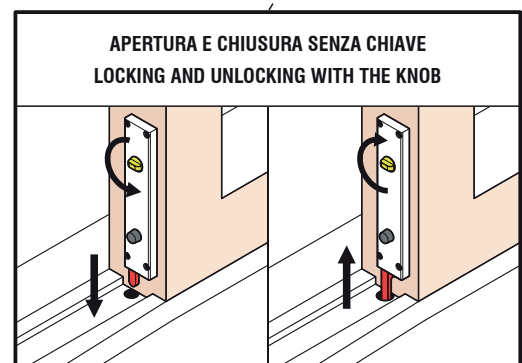
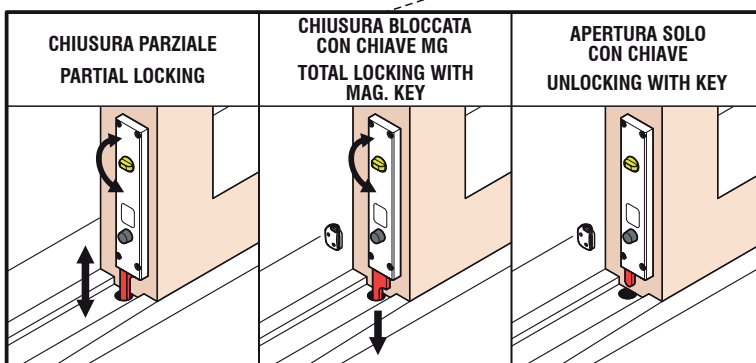
VIDEO:

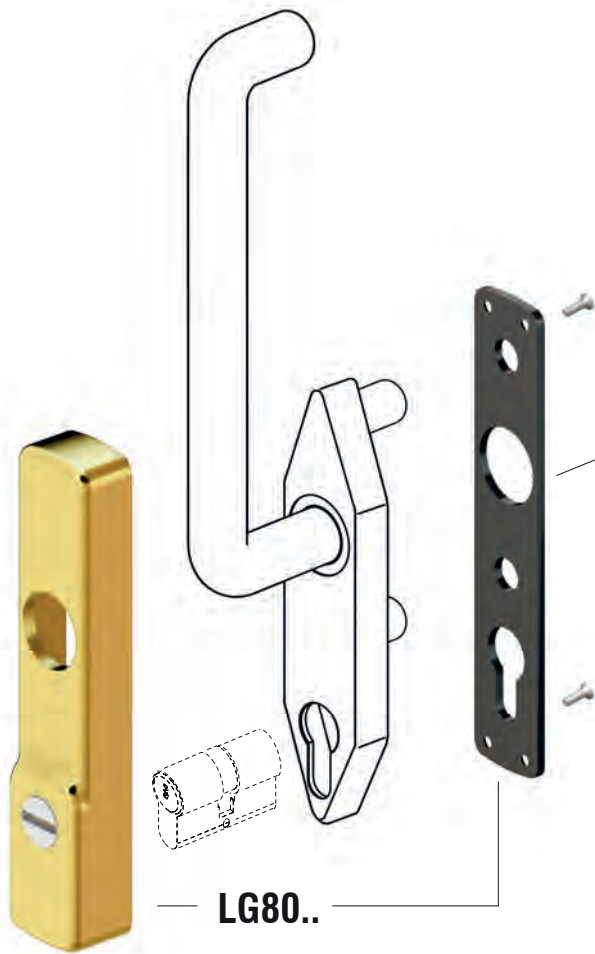


KTN500

BLOCCO PER
ALZANTE
LIFT AND SLIDE
DOOR BLOCKER

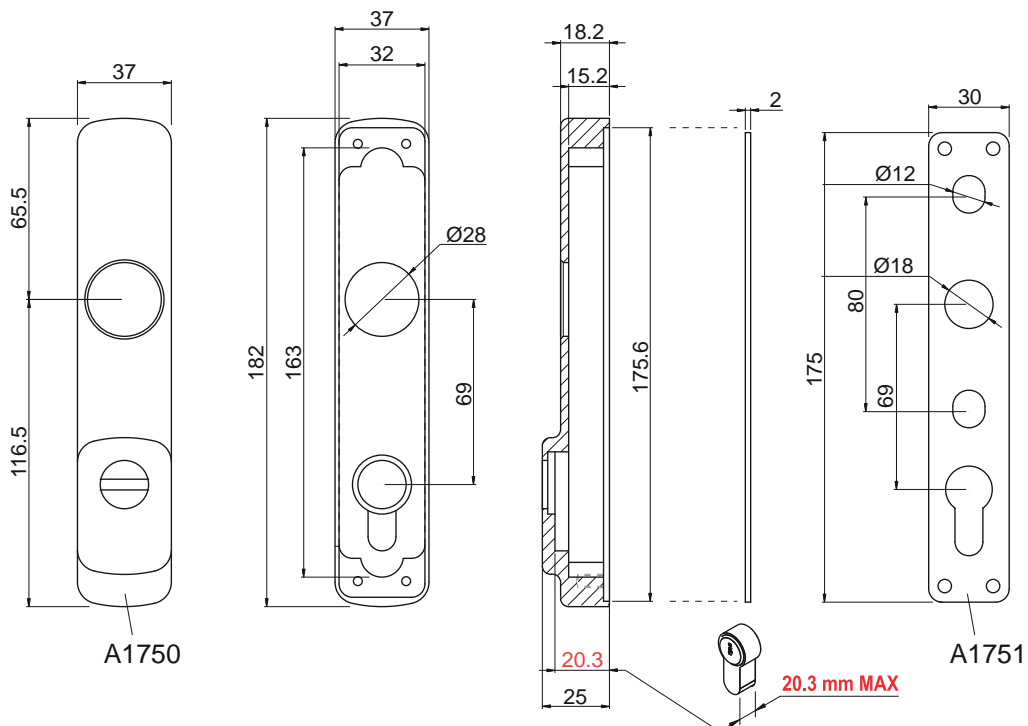
VIDEO:





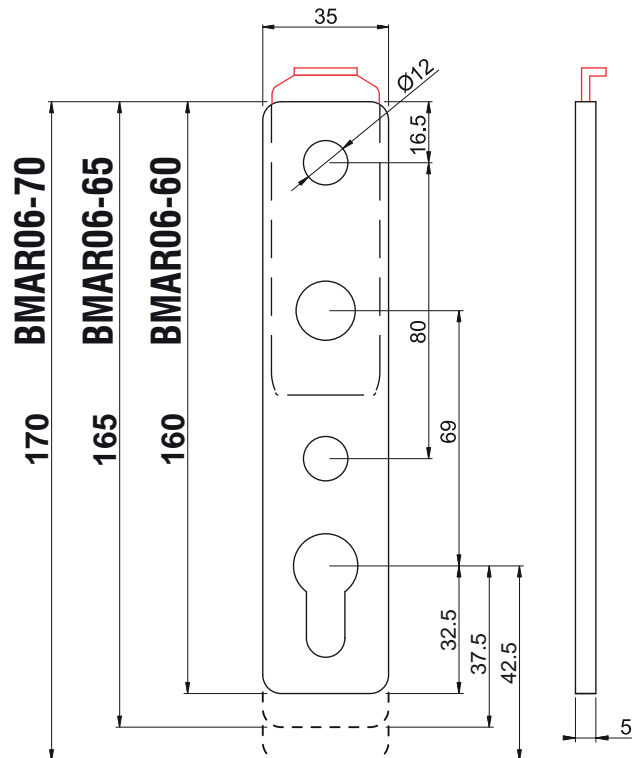
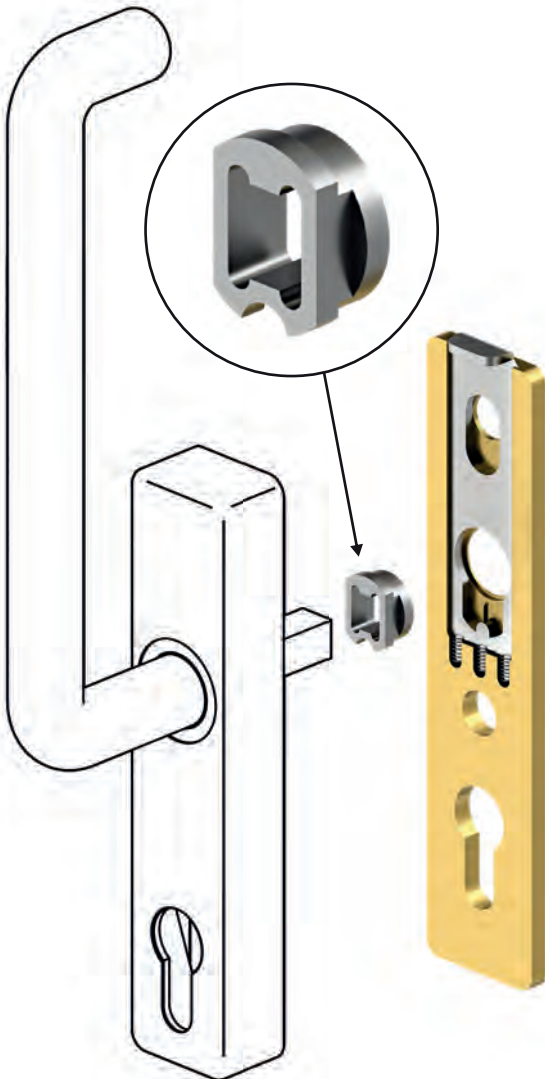
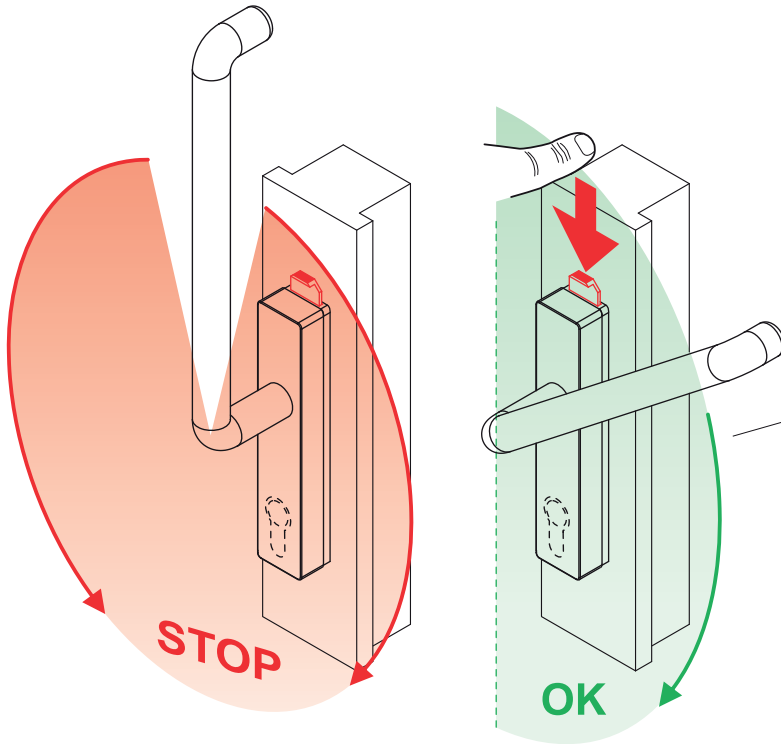
X COLOMBO
HOPPE
MARIVA
MARTINELLI
MARTINELLI VELA
pda

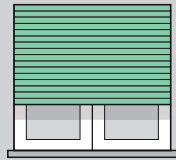
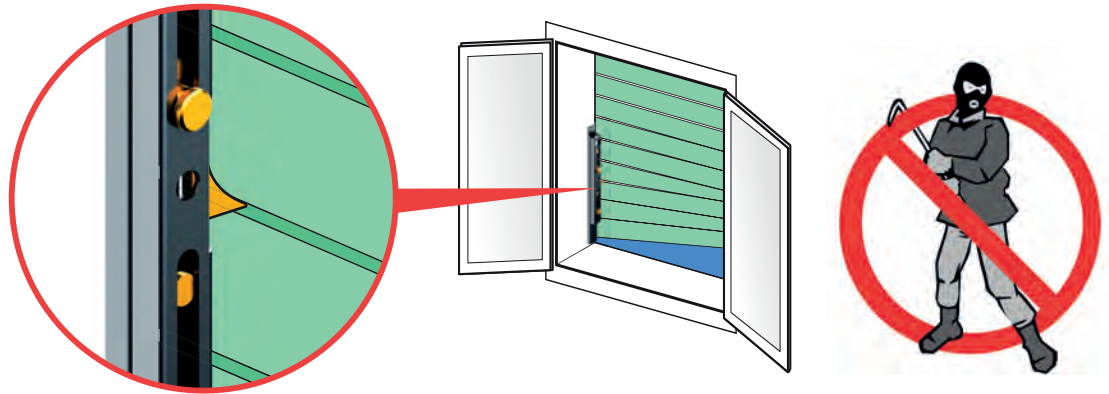
VIDEO:



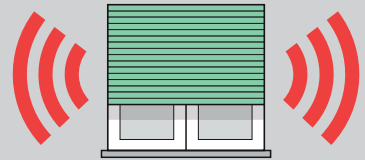
① Cromo satinato
Satin chrome

② PVD Ottone
PVD Brass





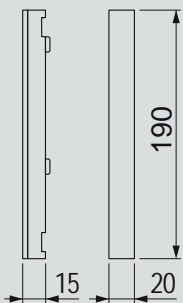
BLOCCA TAPPARELLE
Roller shutter block



**BLOCCA TAPPARELLE
CON ALLARME INTEGRATO**
*Roller shutter block with
Integrated alarm system*

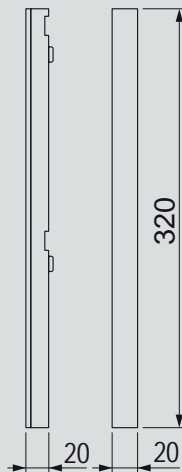
GB01DX
(destra / right hand)

GB01SX
(sinistra / left hand)



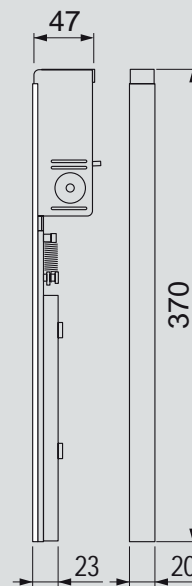
GB02DX
(destra / right hand)

GB02SX
(sinistra / left hand)



GB01ADX
(destra / right hand)

GB01ASX
(sinistra / left hand)

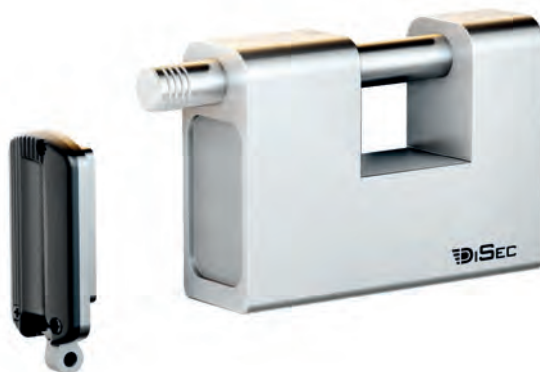


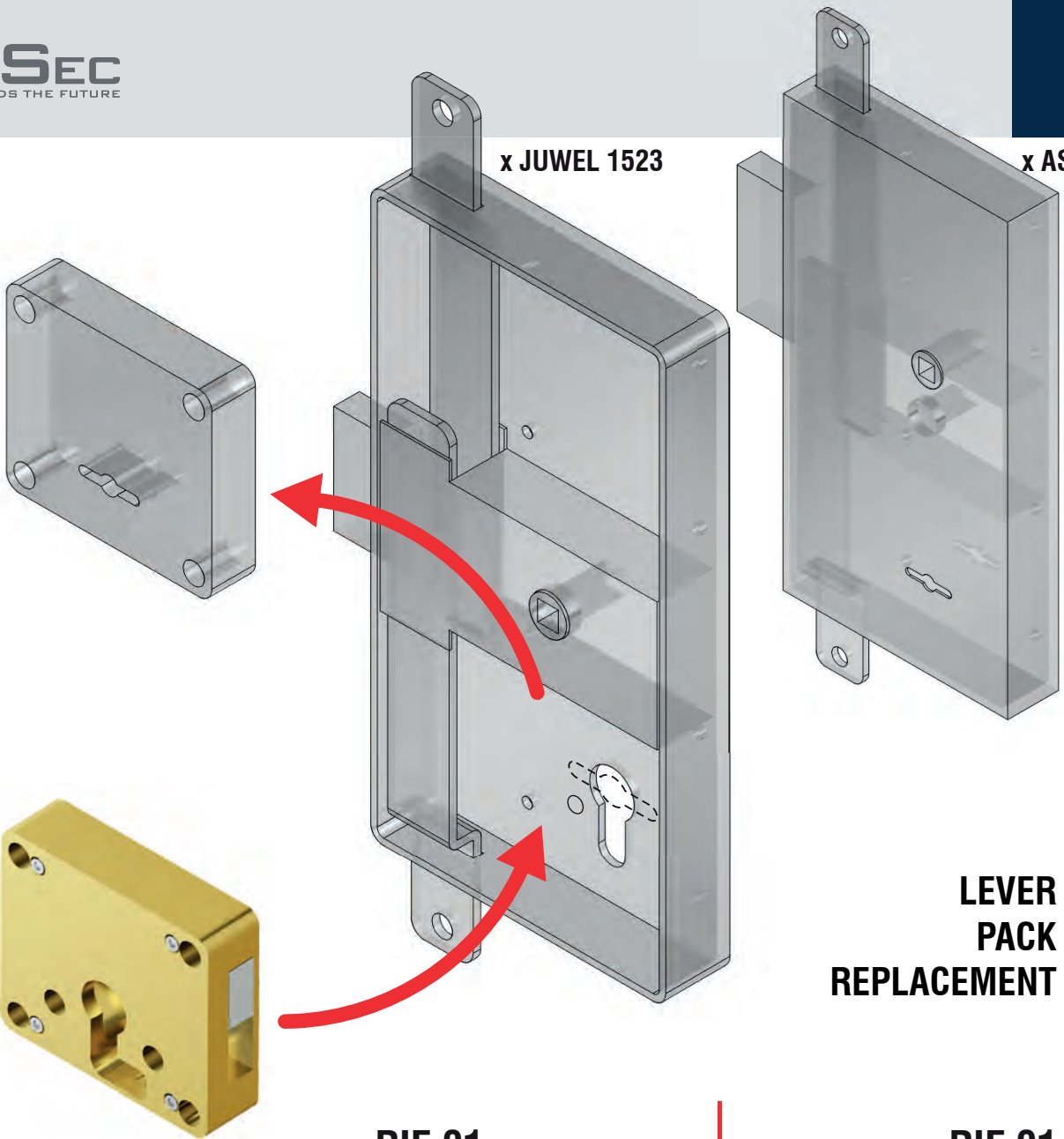
ROSTRI REGOLABILI / RESETTABLE HOOKS / CROCHET REGLABLE

COLORI DISPONIBILI / COLOURS AVAILABLE: **Nero / Black**



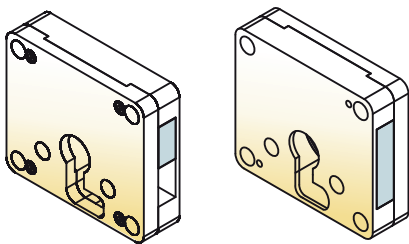
**ACCESSORI
SERRATURE**
*Lock
accessories*



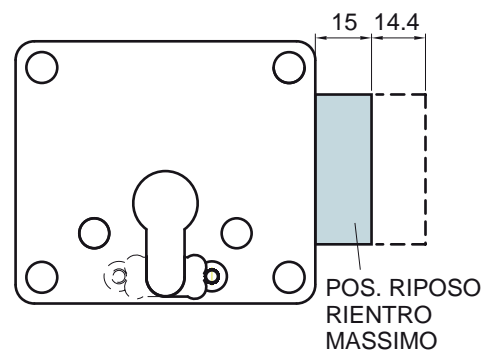
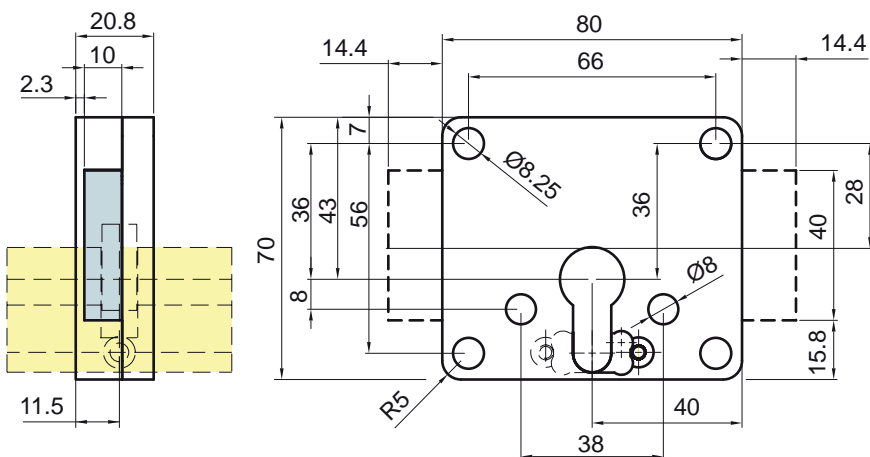
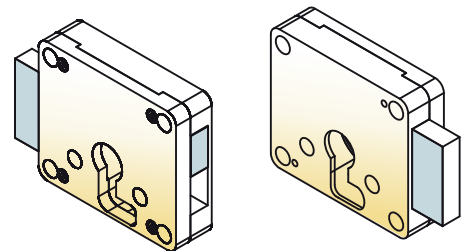


**LEVER
PACK
REPLACEMENT**

RIF 01
Dx/Sx (revers)

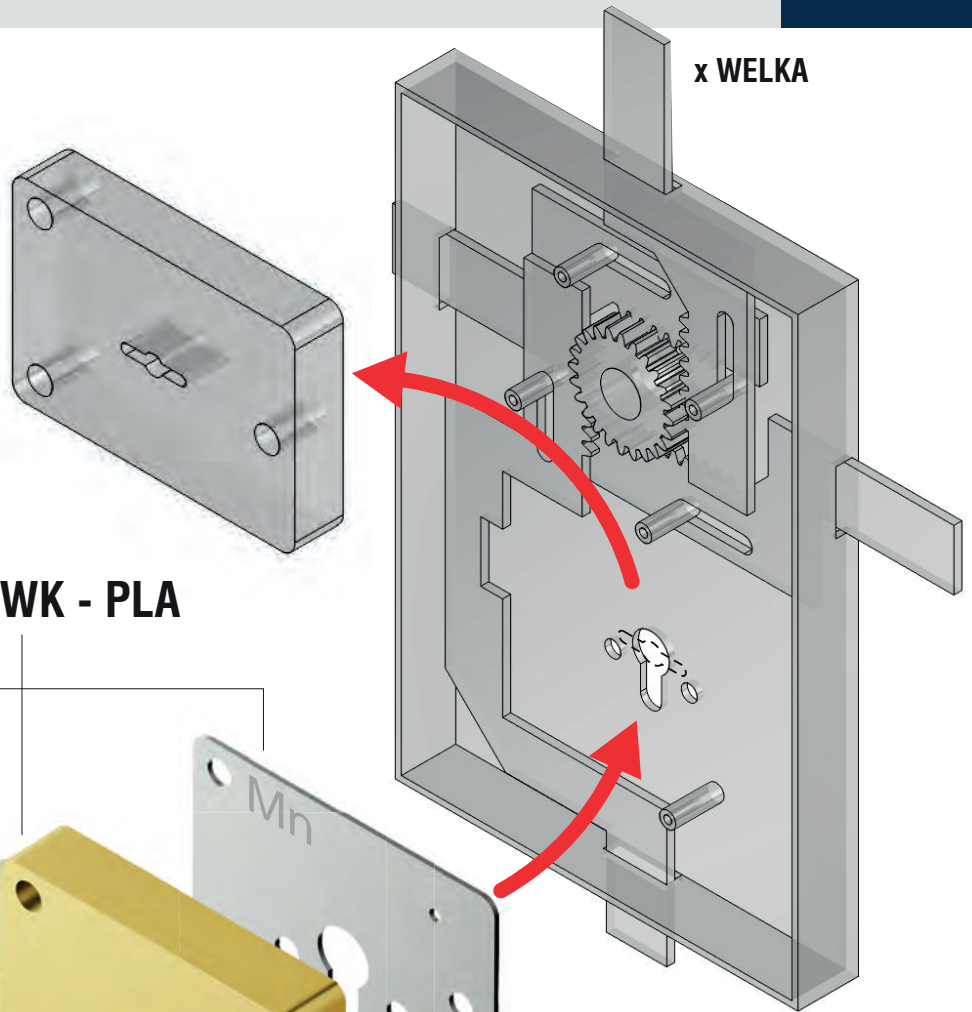


RIF 01 L15
Dx/Sx (revers)

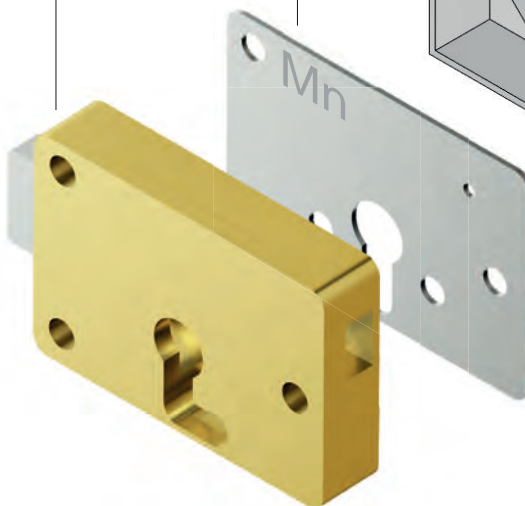




VIDEO:



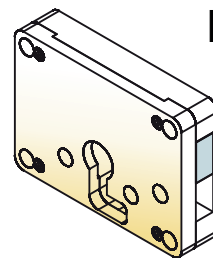
RIF 02 WK - PLA



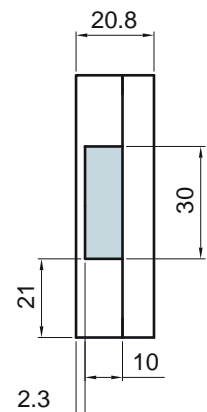
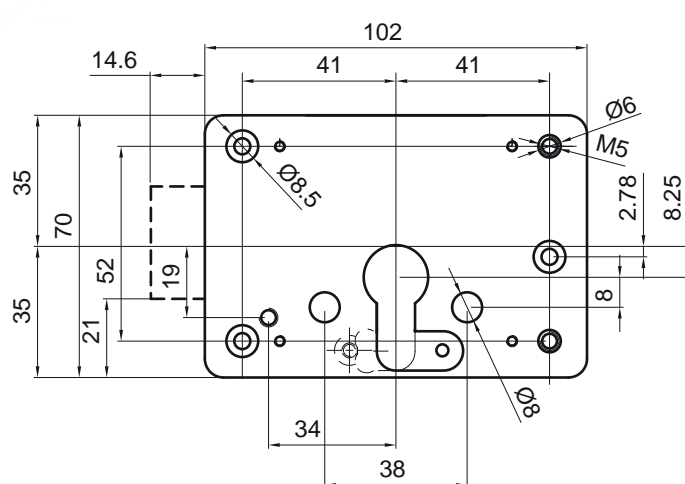
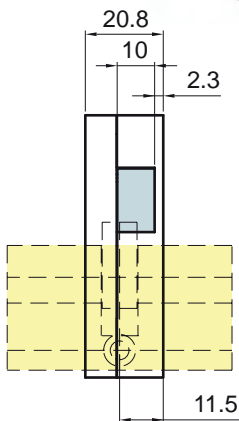
A2638

RIF 02 WK

**LEVER PACK
REPLACEMENT**

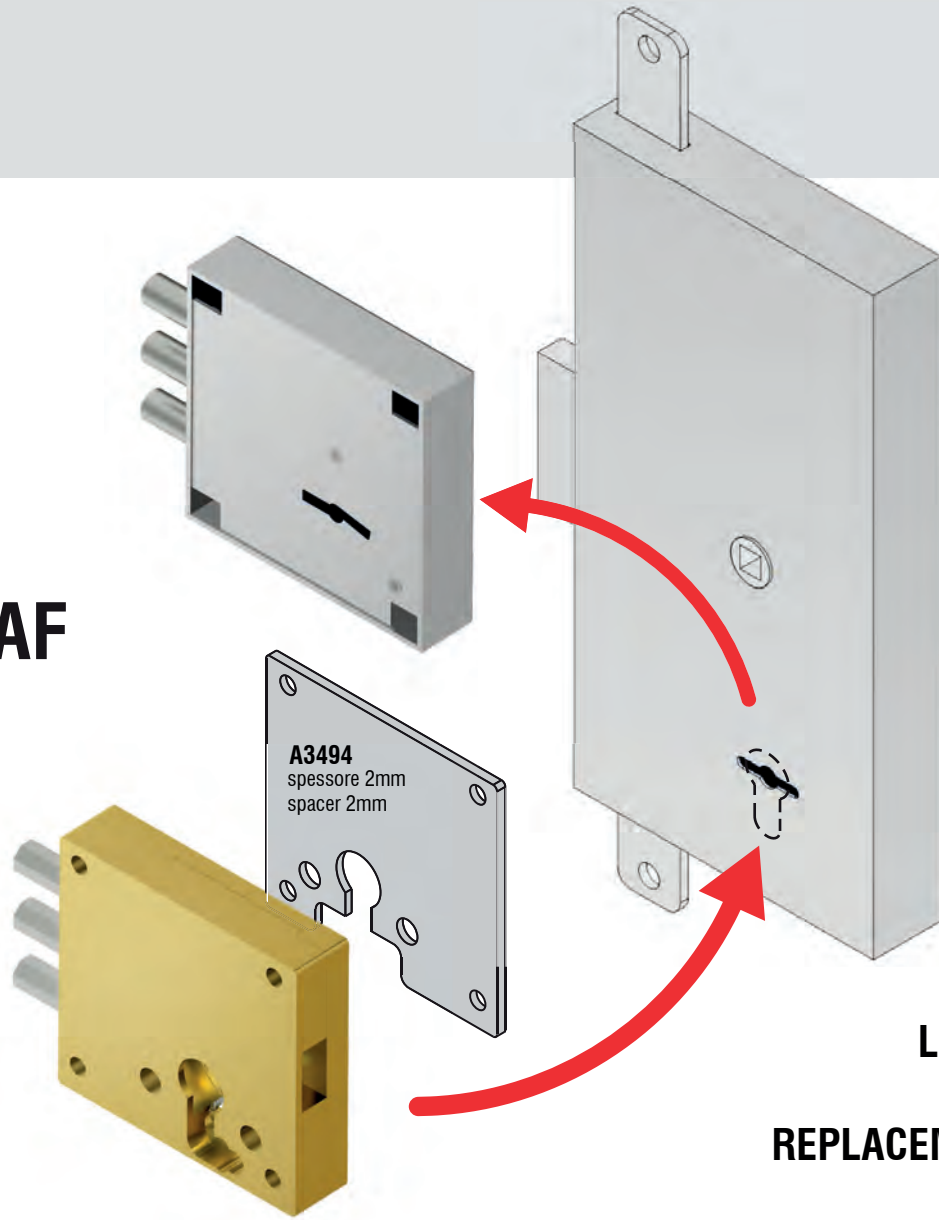


A2637

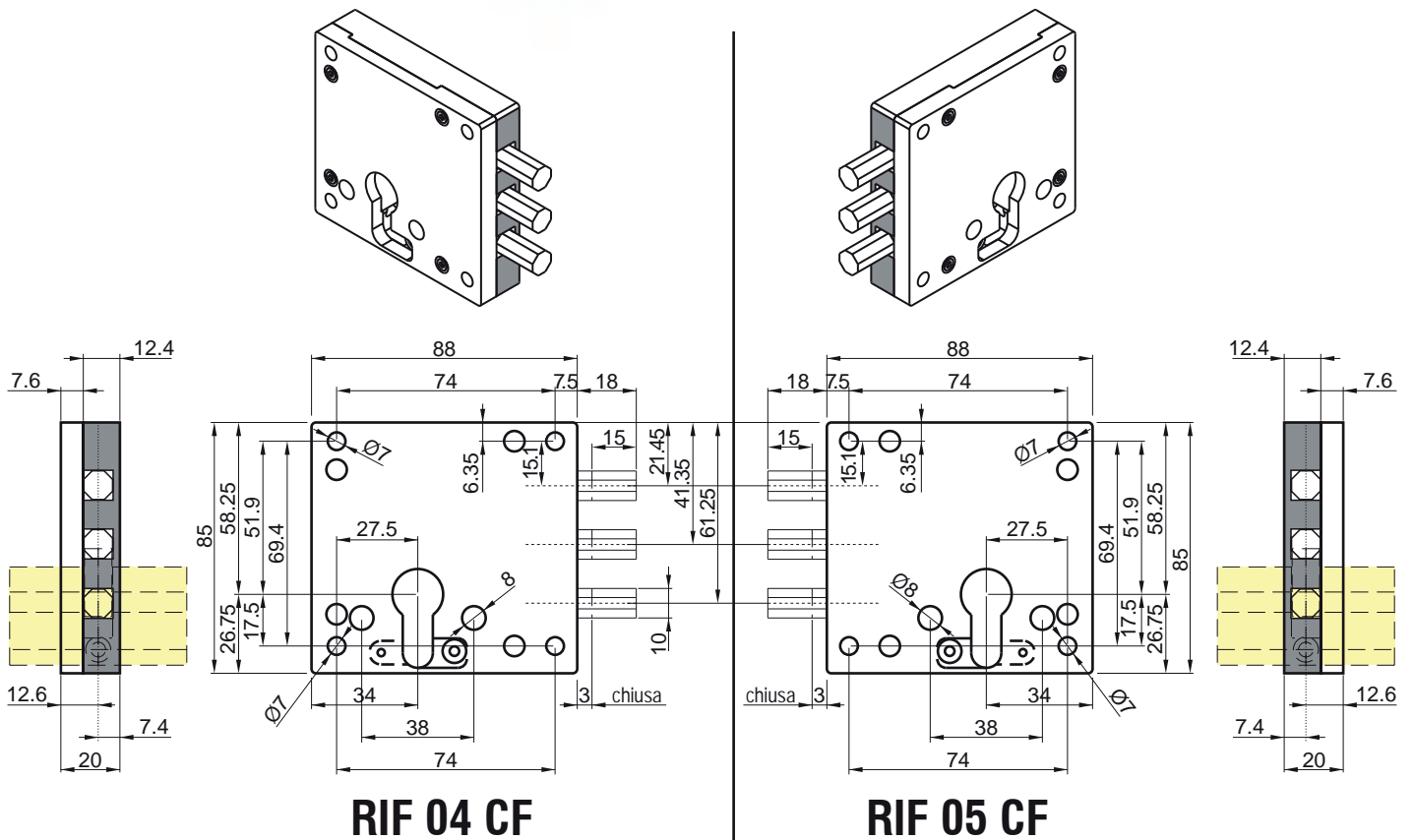




X CAF



**LEVER
PACK
REPLACEMENT**



RIF 04 CF

RIF 05 CF



- Sistema brevettato Disec.
- Anti-picking e anti-bumping.
- Corpo monoblocco in acciaio inox AISI 304.
- Arco in inox AISI 420 temperato e rivestito in PVD.
- Chiusura con chiave magnetica.
- Oltre 100.000 combinazioni possibili.
- Riproduzione chiave protetta con security card, duplicazione autorizzata Centri Star.
- Fornito con 2 chiavi in dotazione.
- Versione in KM master key su richiesta.
- Chiavi in KA su richiesta.
- Finitura INOX satinato.
- KM Key Master max 10+10

- *Disec patented system.*
- *Anti-picking and anti-bumping.*
- *Solid stainless steel body AISI 304.*
- *Hardened stainless steel shackle AISI 420 PVD coated.*
- *Magnetic key locking.*
- *Over 100.000 possible combinations.*
- *Protected key duplication with security card for restricted duplication only at Star Centers.*
- *Supplied with 2 keys.*
- *KM master key on request.*
- *KA on request.*
- *Stainless steel satin finish.*
- *KM Key Master max 10+10*

VIDEO

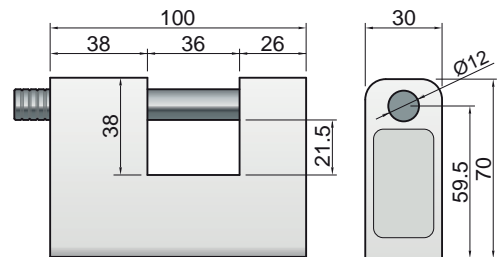


MG600

KMOP20
MAGNETIC
KEY



peso / weight: 1290g

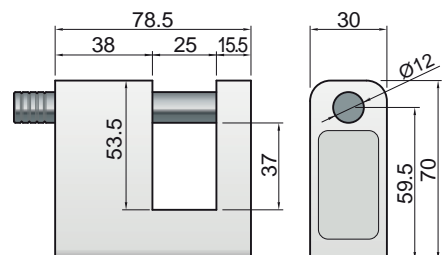


MG620

KMOP20
MAGNETIC
KEY

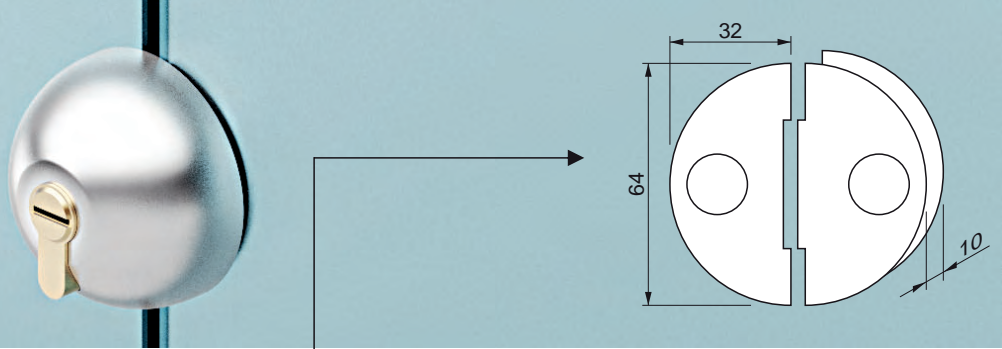


peso / weight: 990g

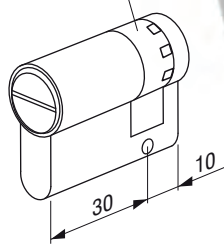


**PROTEZIONI PER
PORTE VETRO**

**GLASS DOOR
GUARDS**

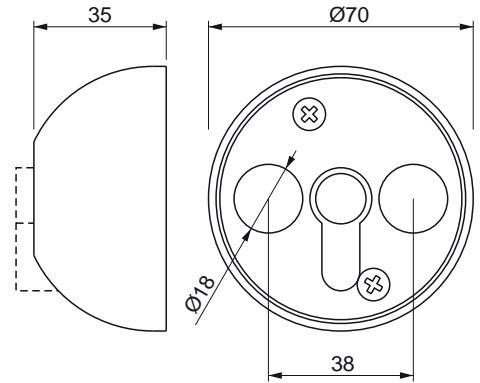


CAMMA
REGOLABILE
MULTIPOSITION



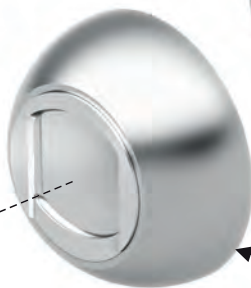
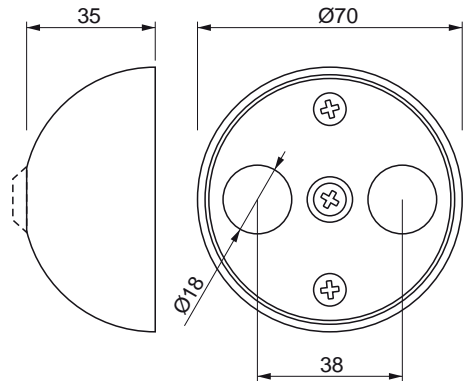
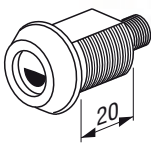
GLC70

Ø70 x H 35 mm



GLE70

Ø70 x H 35 mm

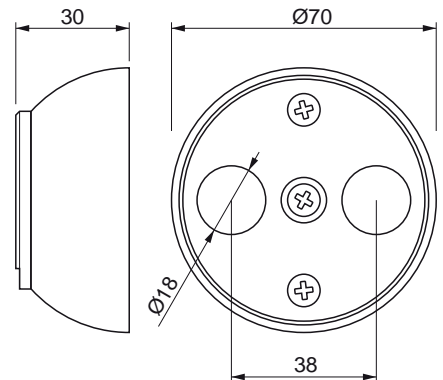


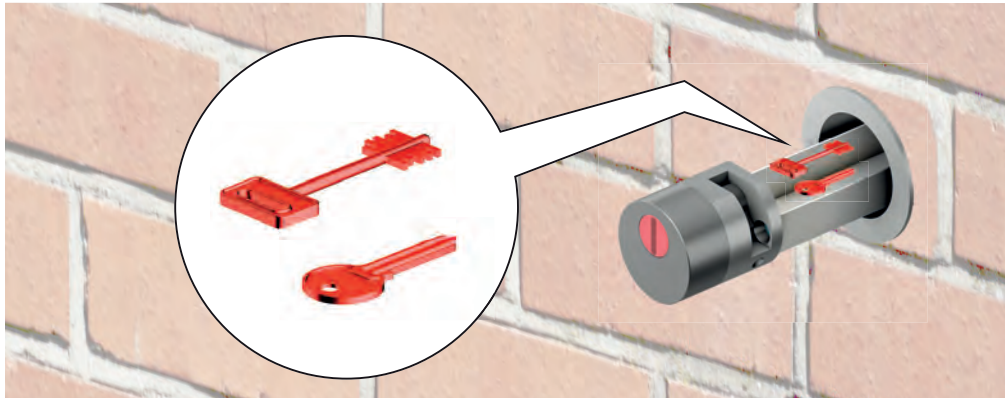
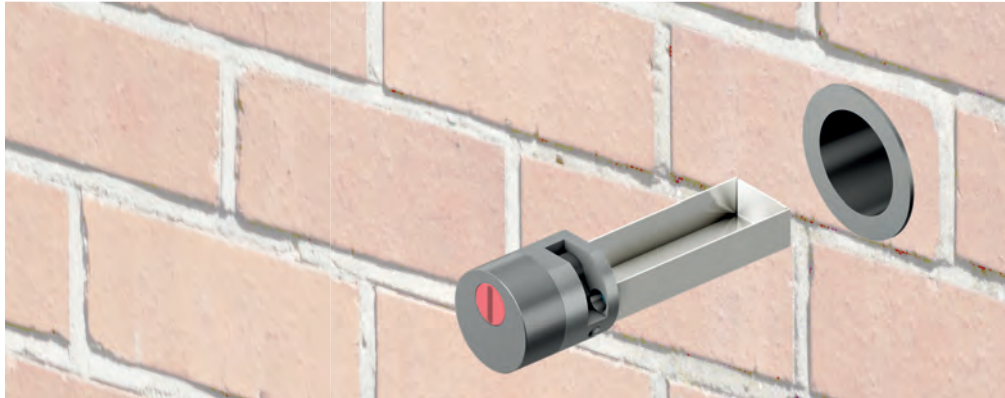
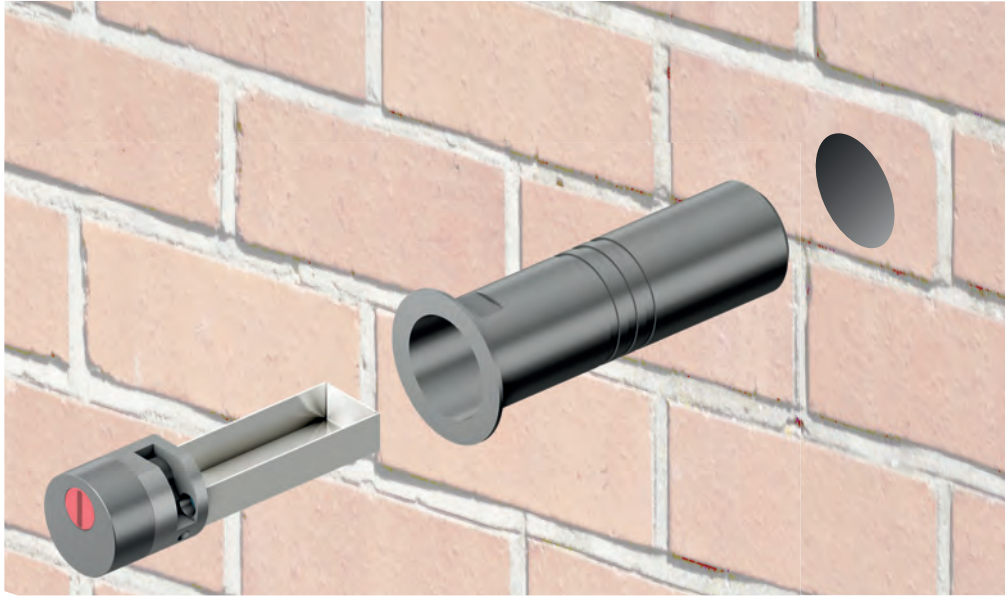
GLM70

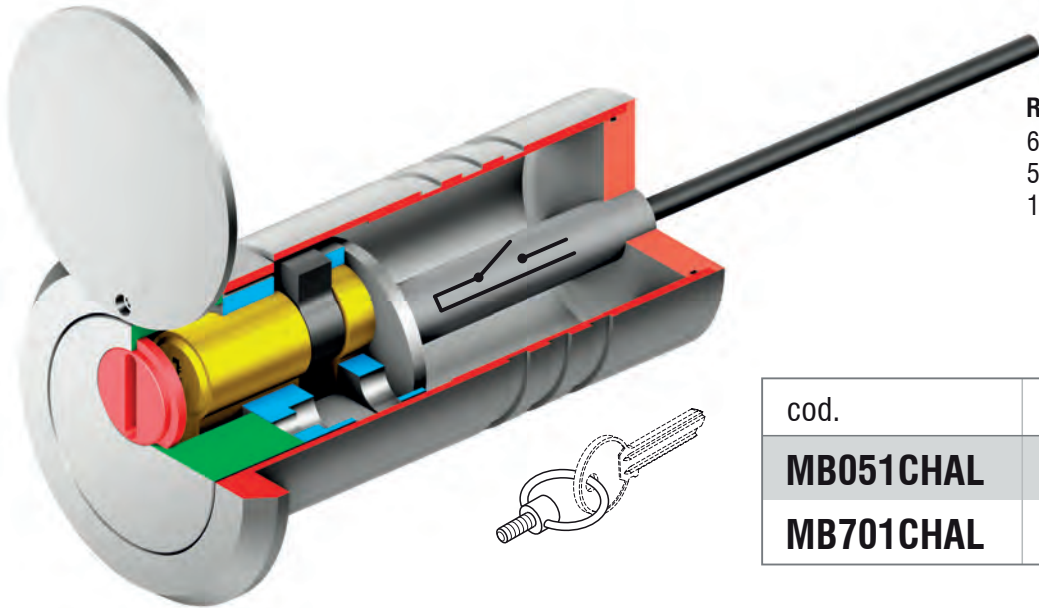
Ø70 x H 30 mm



MAGNETIC KEY





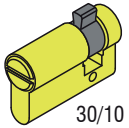


REED SWITCH NA

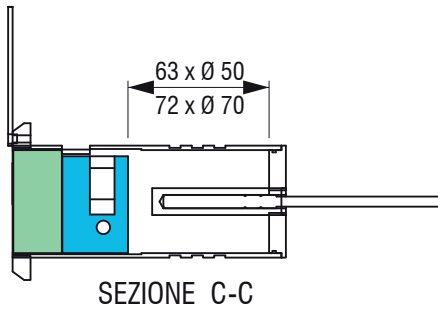
6 VA max
500 mA max
140 V max

	A	B	C
cod.	mm	mm	mm
MB051CHAL	115	Ø 50	Ø 70
MB701CHAL	125	Ø 70	Ø 90

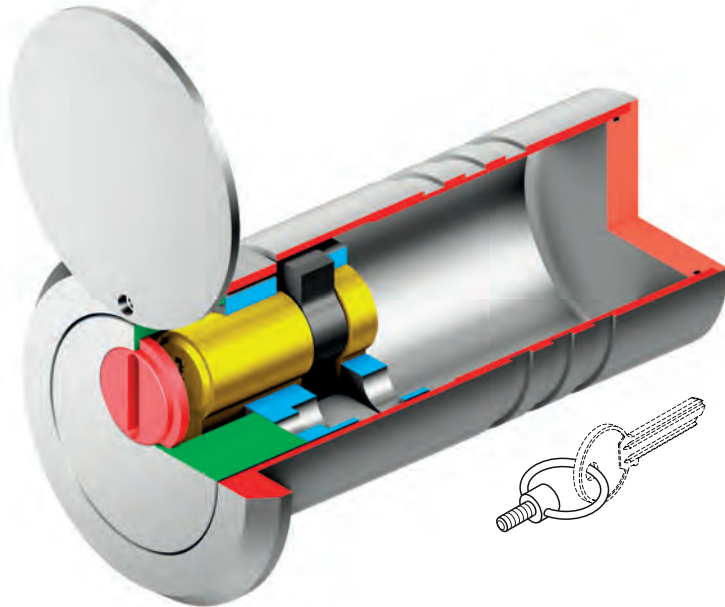
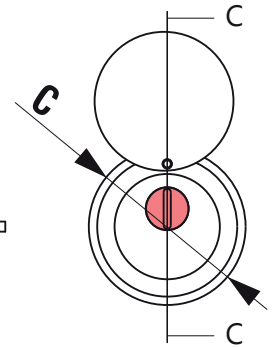
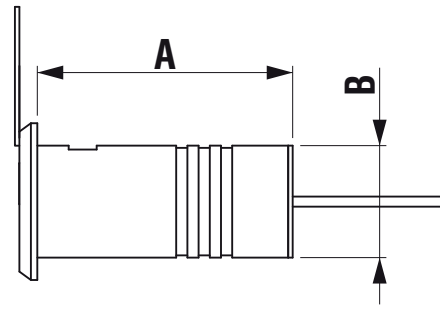
NON INCLUSO
NOT INCLUDED
MULTIPOSITION



30/10



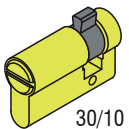
SEZIONE C-C



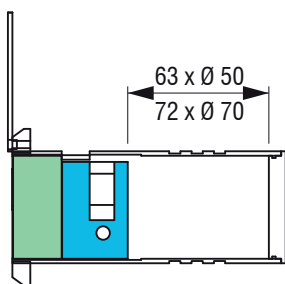
A B C

	A	B	C
cod.	mm	mm	mm
MB051CH	115	Ø 50	Ø 70
MB701CH	125	Ø 70	Ø 90

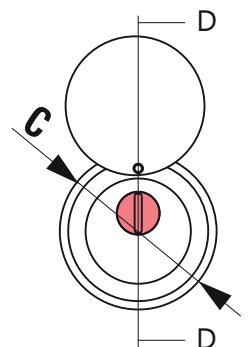
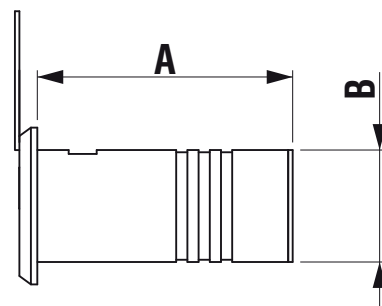
NON INCLUSO
NOT INCLUDED
MULTIPOSITION

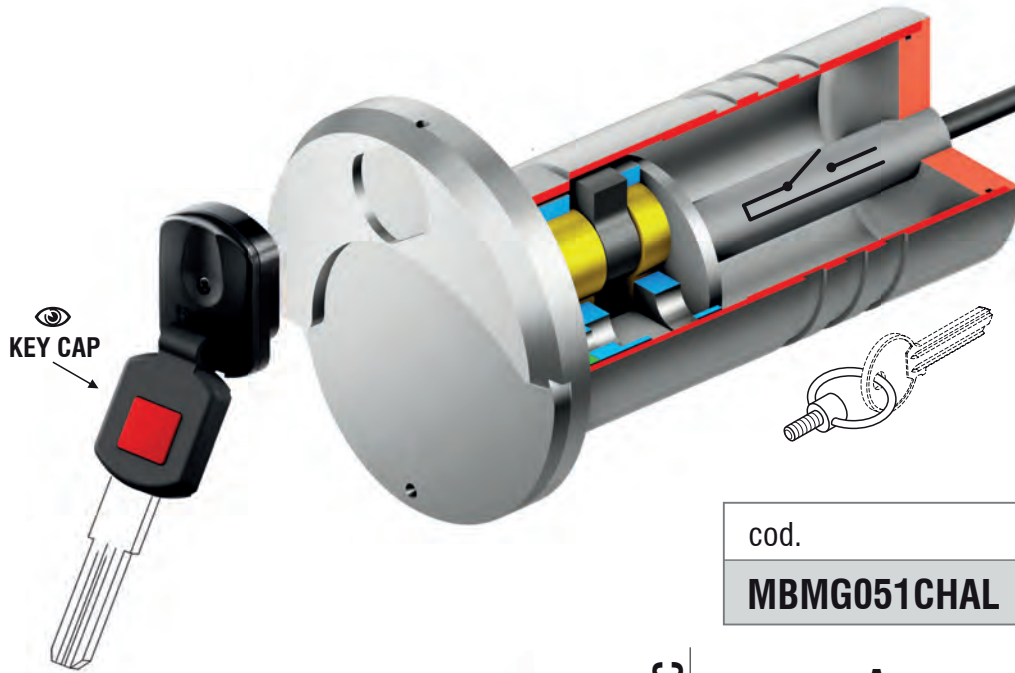


30/10



SEZIONE D-D



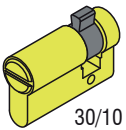


REED SWITCH NA
6 VA max
500 mA max
140 V max

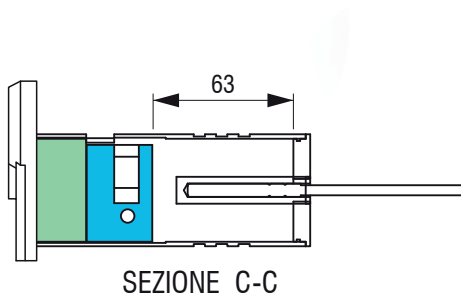
KEY CAP

	A	B	C
cod.	mm	mm	mm
MBMG051CHAL	115	Ø 50	Ø 80

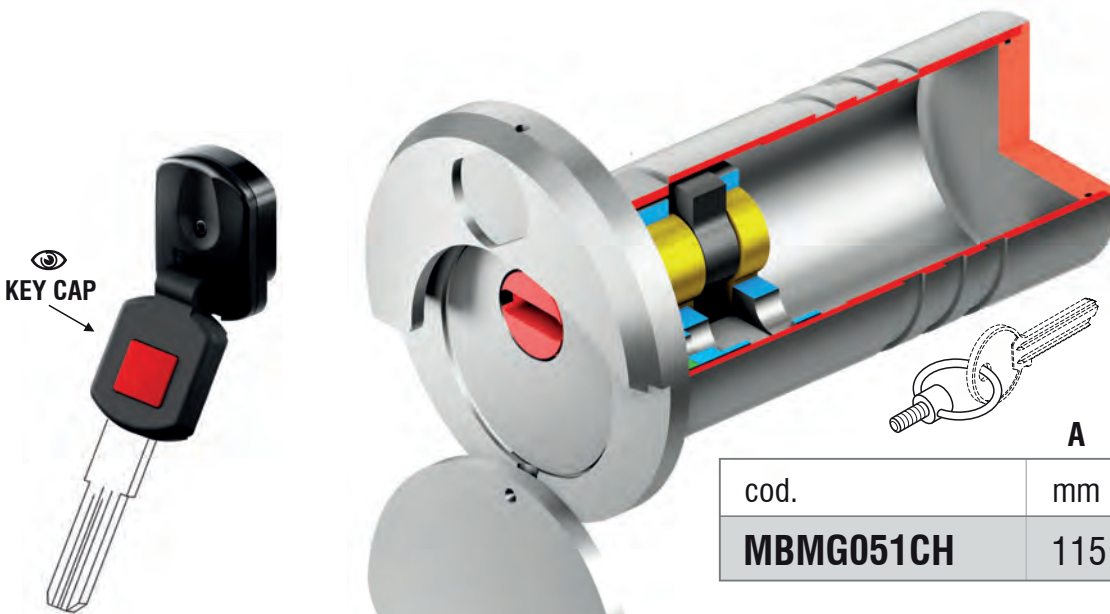
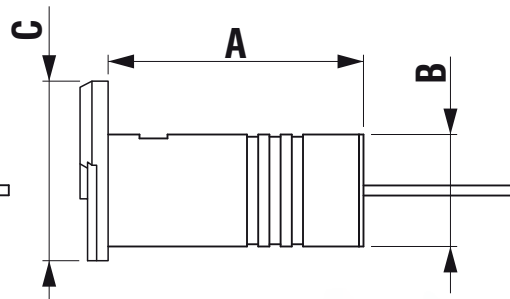
NON INCLUSO
NOT INCLUDED
MULTIPOSITION



30/10



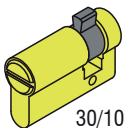
SEZIONE C-C



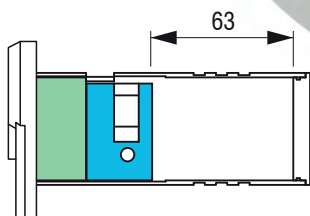
KEY CAP

	A	B	C
cod.	mm	mm	mm
MBMG051CH	115	Ø 50	Ø 80

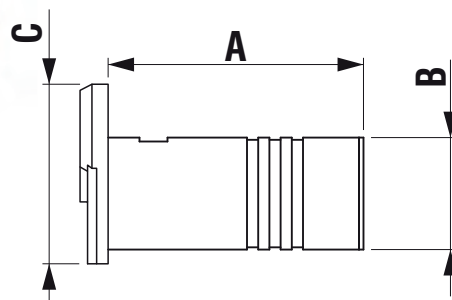
NON INCLUSO
NOT INCLUDED
MULTIPOSITION

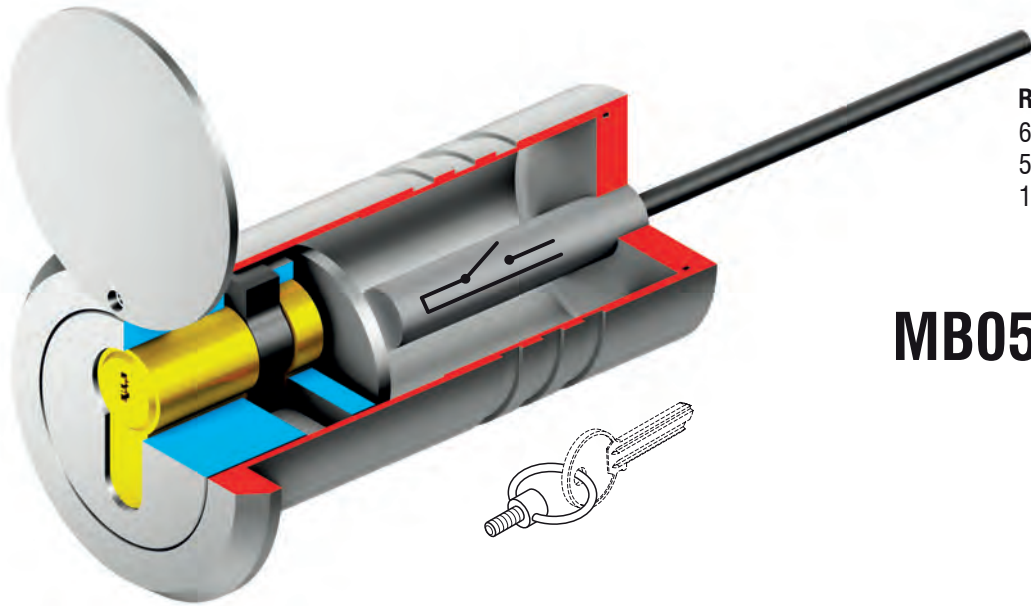


30/10



SEZIONE D-D

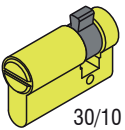




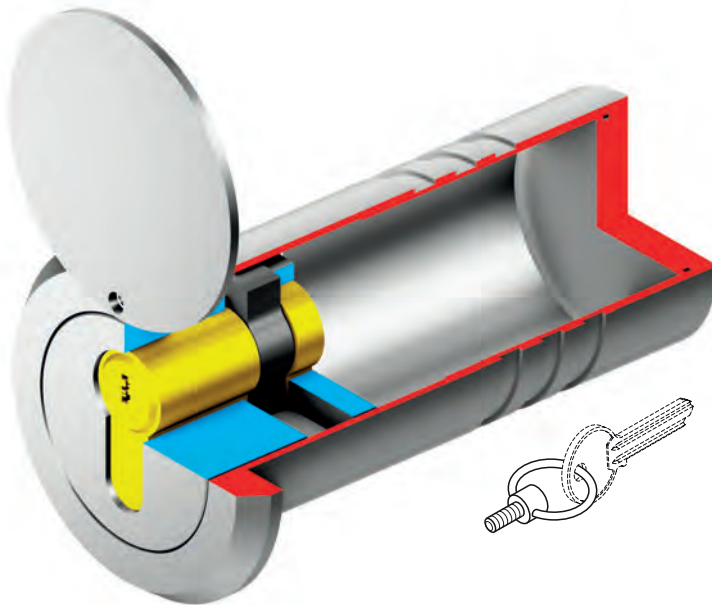
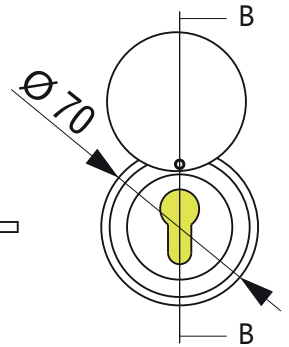
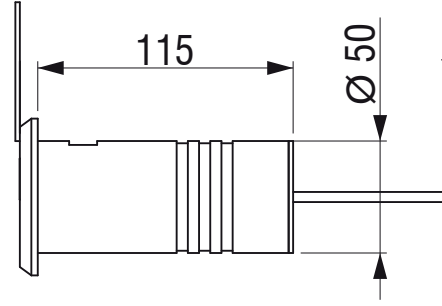
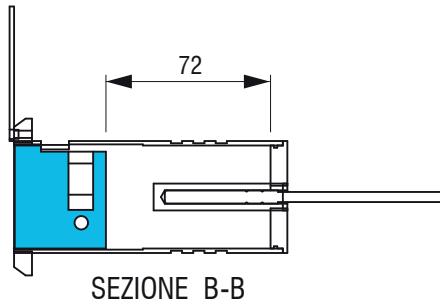
REED SWITCH NA
6 VA max
500 mA max
140 V max

MB052CHAL

NON INCLUSO
NOT INCLUDED
MULTIPOSITION

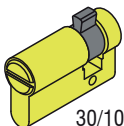


30/10

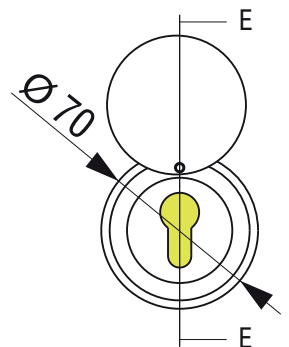
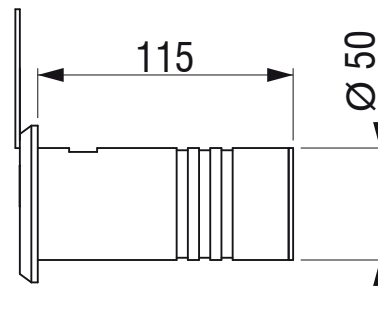
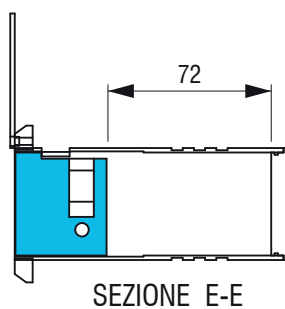


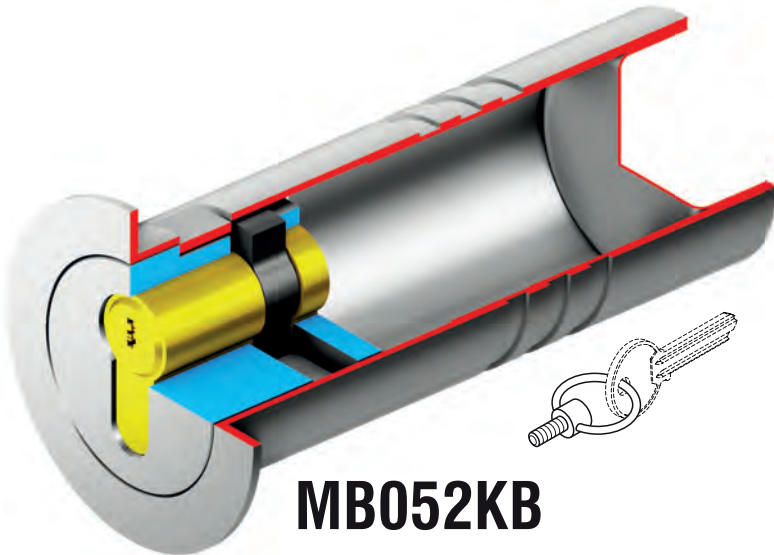
MB052CH

NON INCLUSO
NOT INCLUDED
MULTIPOSITION

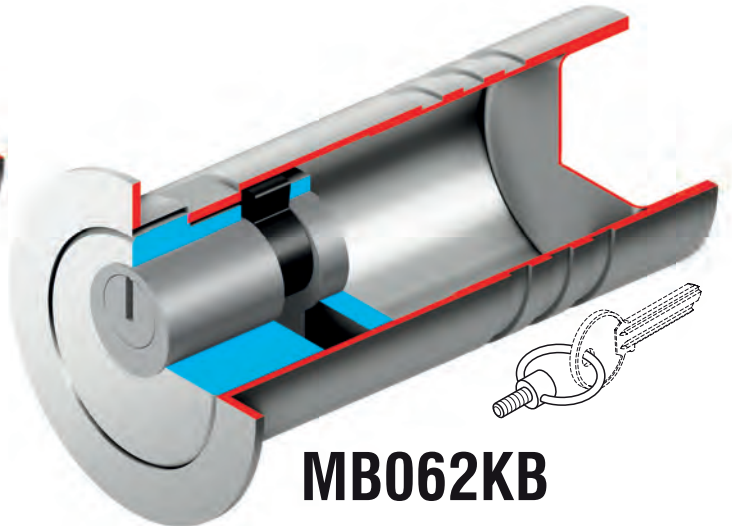


30/10

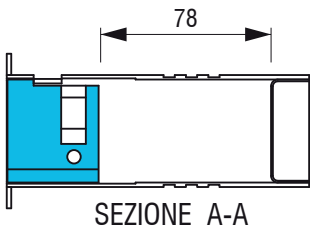




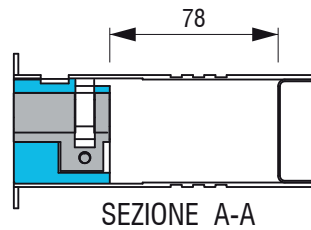
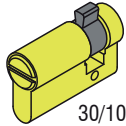
MB052KB



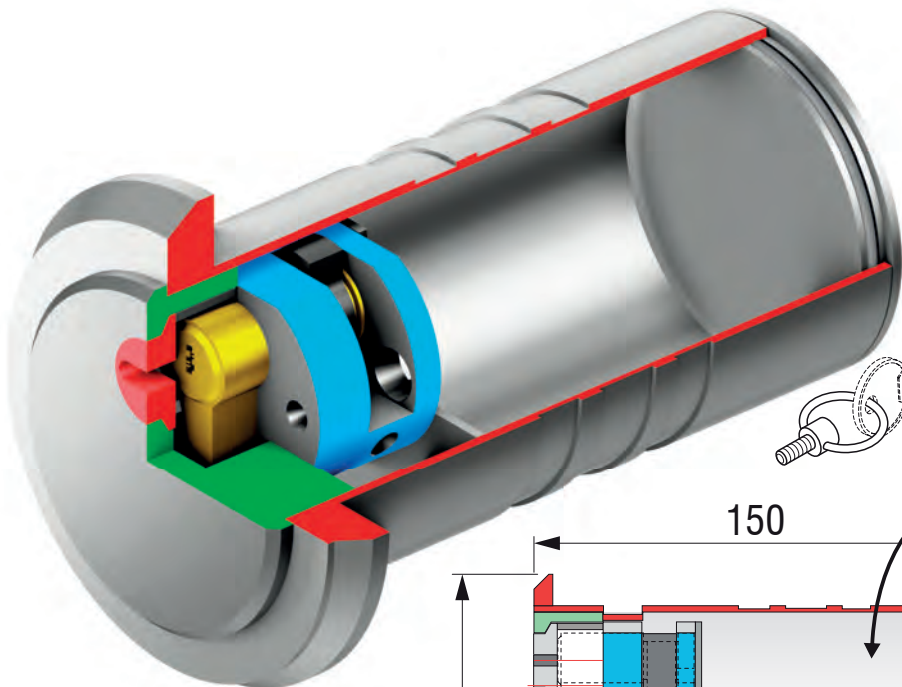
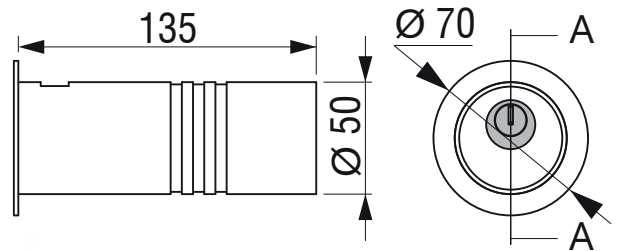
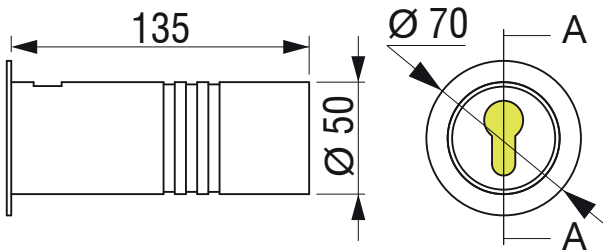
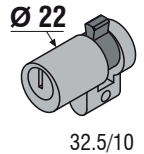
MB062KB



NON INCLUSO
NOT INCLUDED
MULTIPOSITION

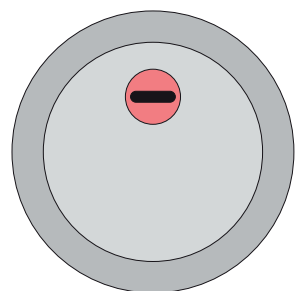
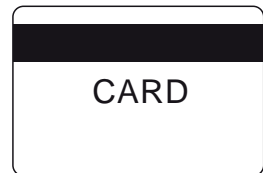
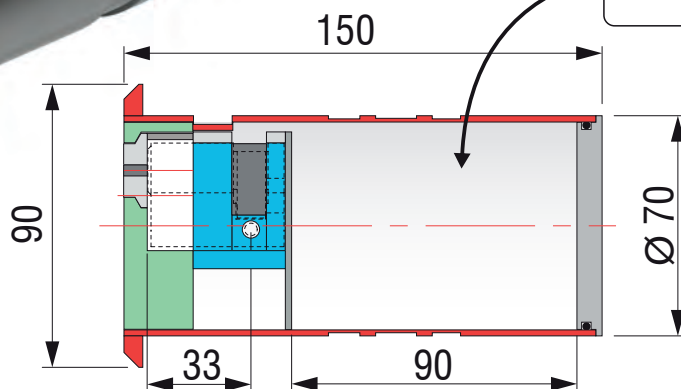
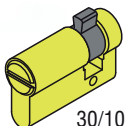


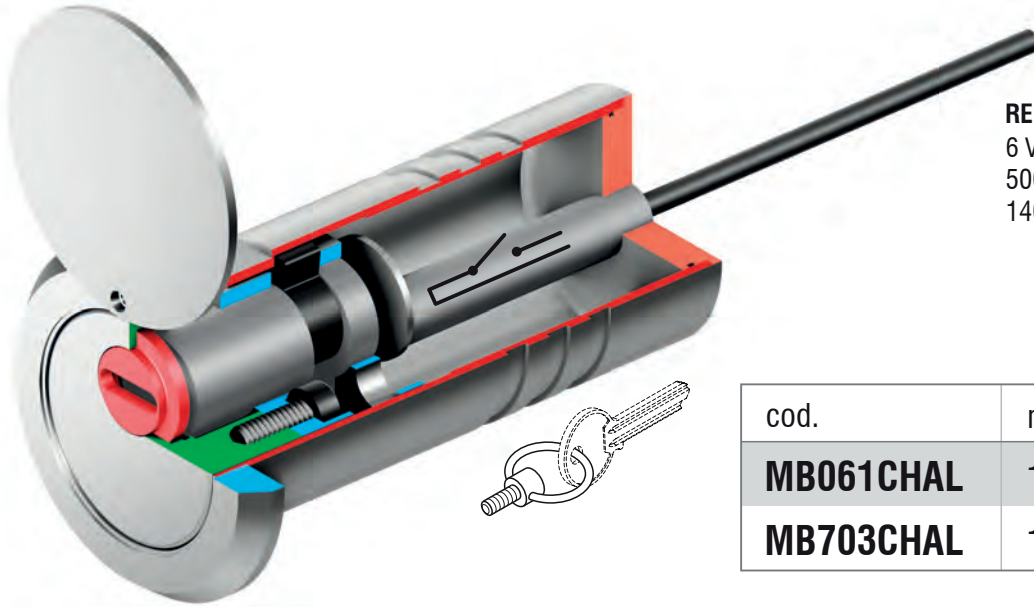
NON INCLUSO
NOT INCLUDED
MULTIPLE CAM



MB70-150

NON INCLUSO
NOT INCLUDED
MULTIPOSITION



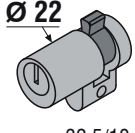


REED SWITCH NA

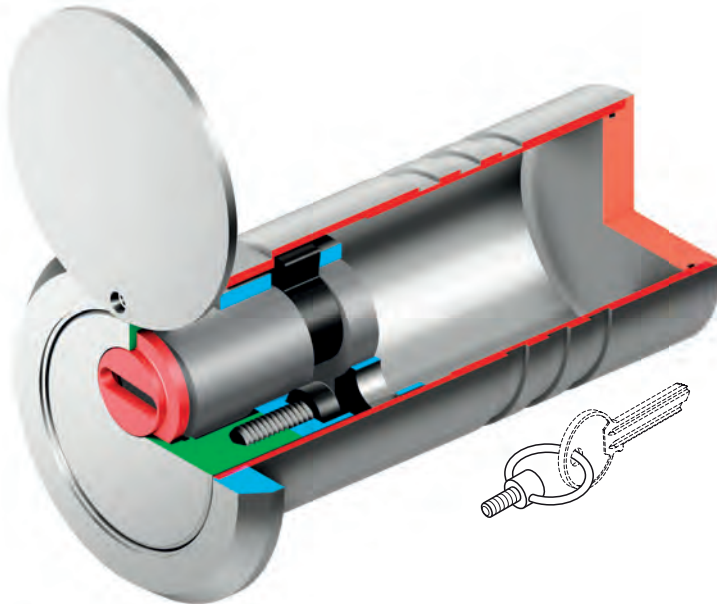
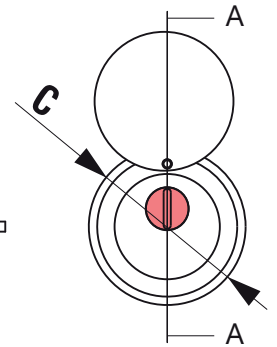
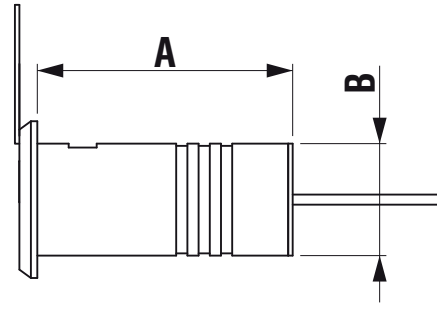
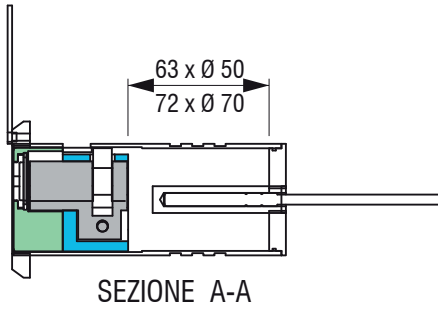
6 VA max
500 mA max
140 V max

	A	B	C
cod.	mm	mm	mm
MB061CHAL	115	Ø 50	Ø 70
MB703CHAL	125	Ø 70	Ø 90

NON INCLUSO
NOT INCLUDED
MULTIPOSITION



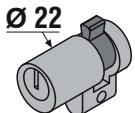
32.5/10



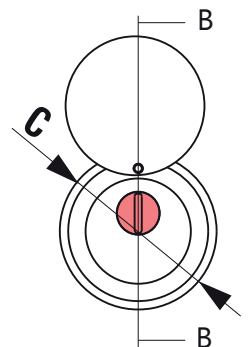
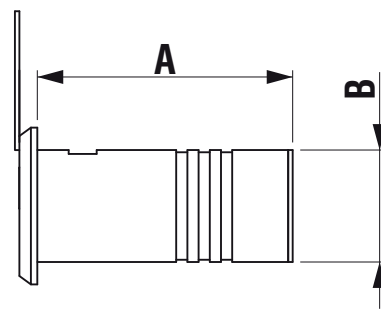
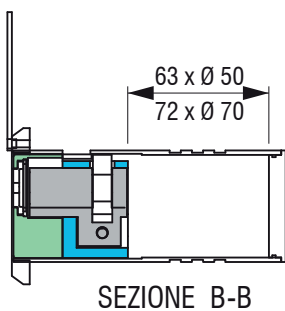
A B C

	A	B	C
cod.	mm	mm	mm
MB061CH	115	Ø 50	Ø 70
MB703CH	125	Ø 70	Ø 90

NON INCLUSO
NOT INCLUDED
MULTIPOSITION



32.5/10





KEY CAP

REED SWITCH NA
6 VA max
500 mA max
140 V max

cod.	A	B	C
MBMG061CHAL	115	Ø 50	Ø 80

NON INCLUSO
NOT INCLUDED
MULTIPOSITION
Ø 22
32.5/10

63

SEZIONE A-A

A, B, C

KEY CAP

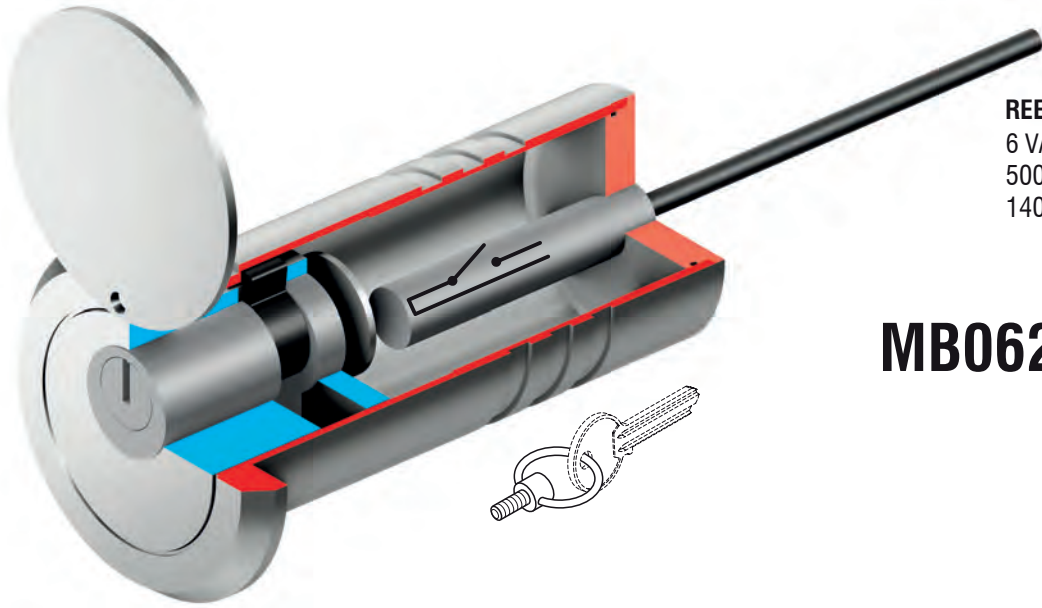
cod.	A	B	C
MBMG061CH	115	Ø 50	Ø 80

NON INCLUSO
NOT INCLUDED
MULTIPOSITION
Ø 22
32.5/10

63

SEZIONE B-B

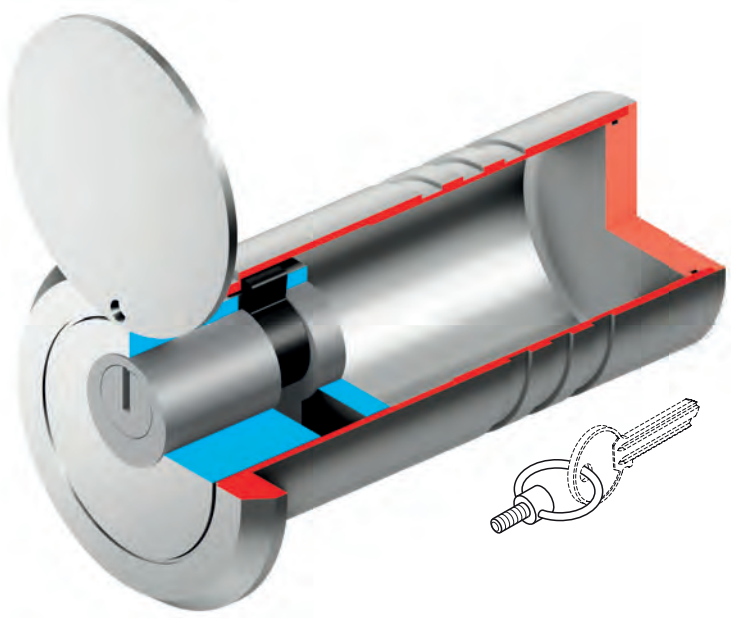
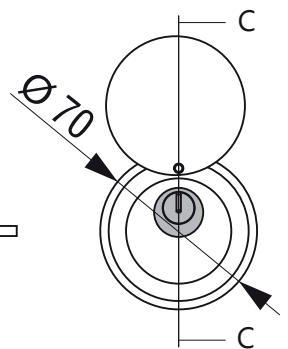
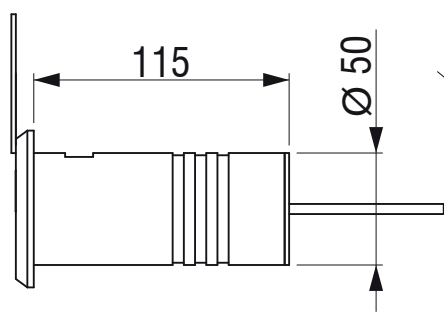
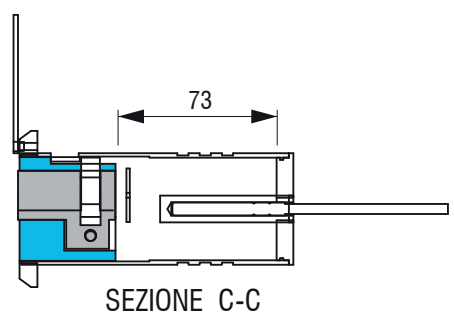
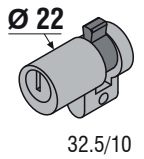
A, B, C



REED SWITCH NA
6 VA max
500 mA max
140 V max

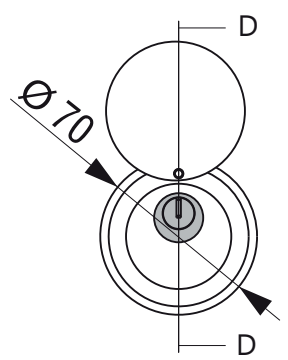
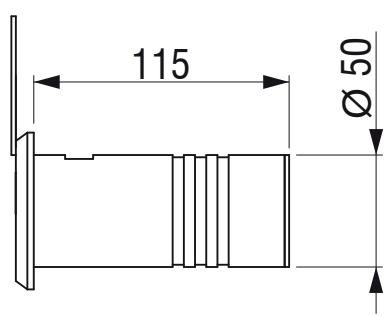
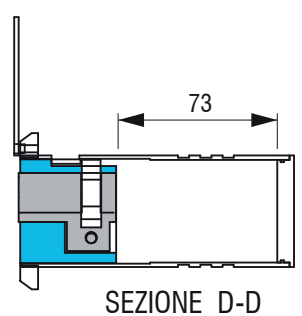
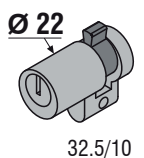
MB062CHAL

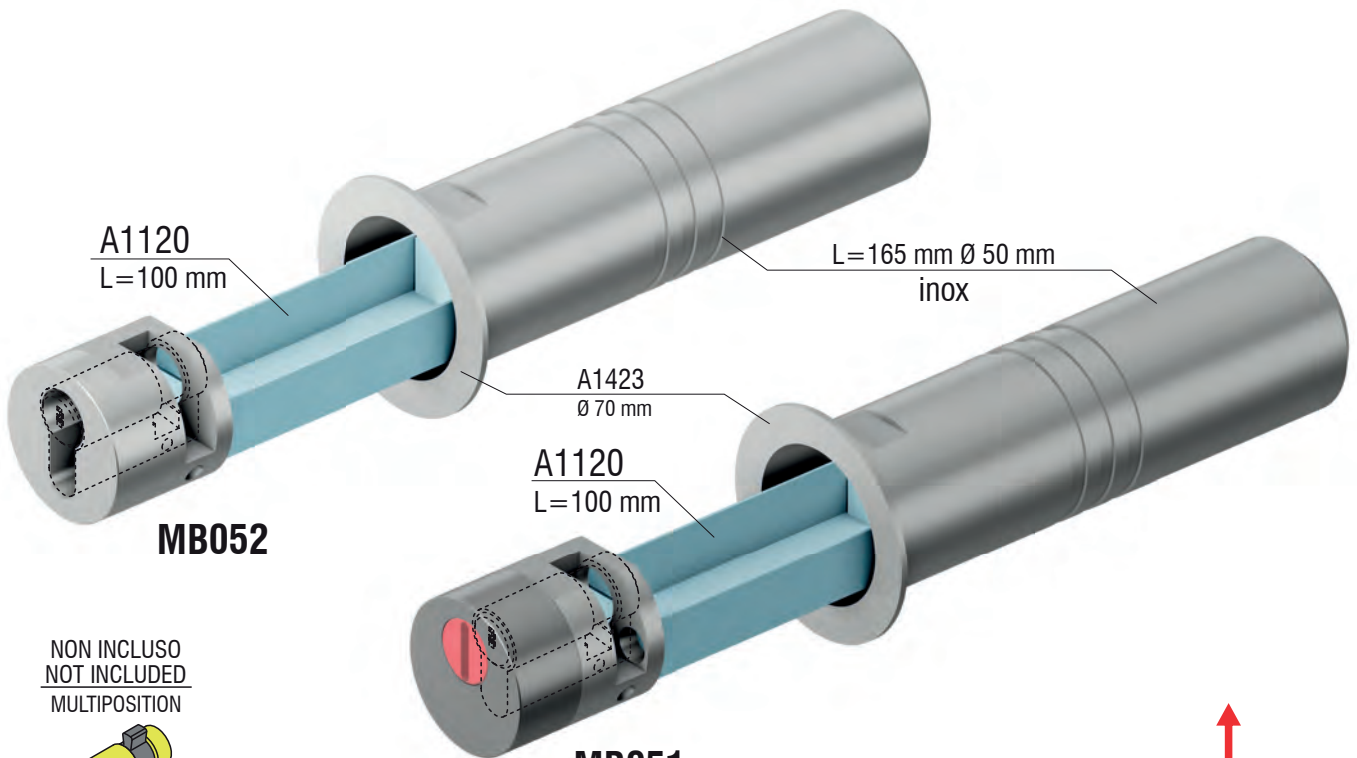
NON INCLUSO
NOT INCLUDED
MULTIPOSITION



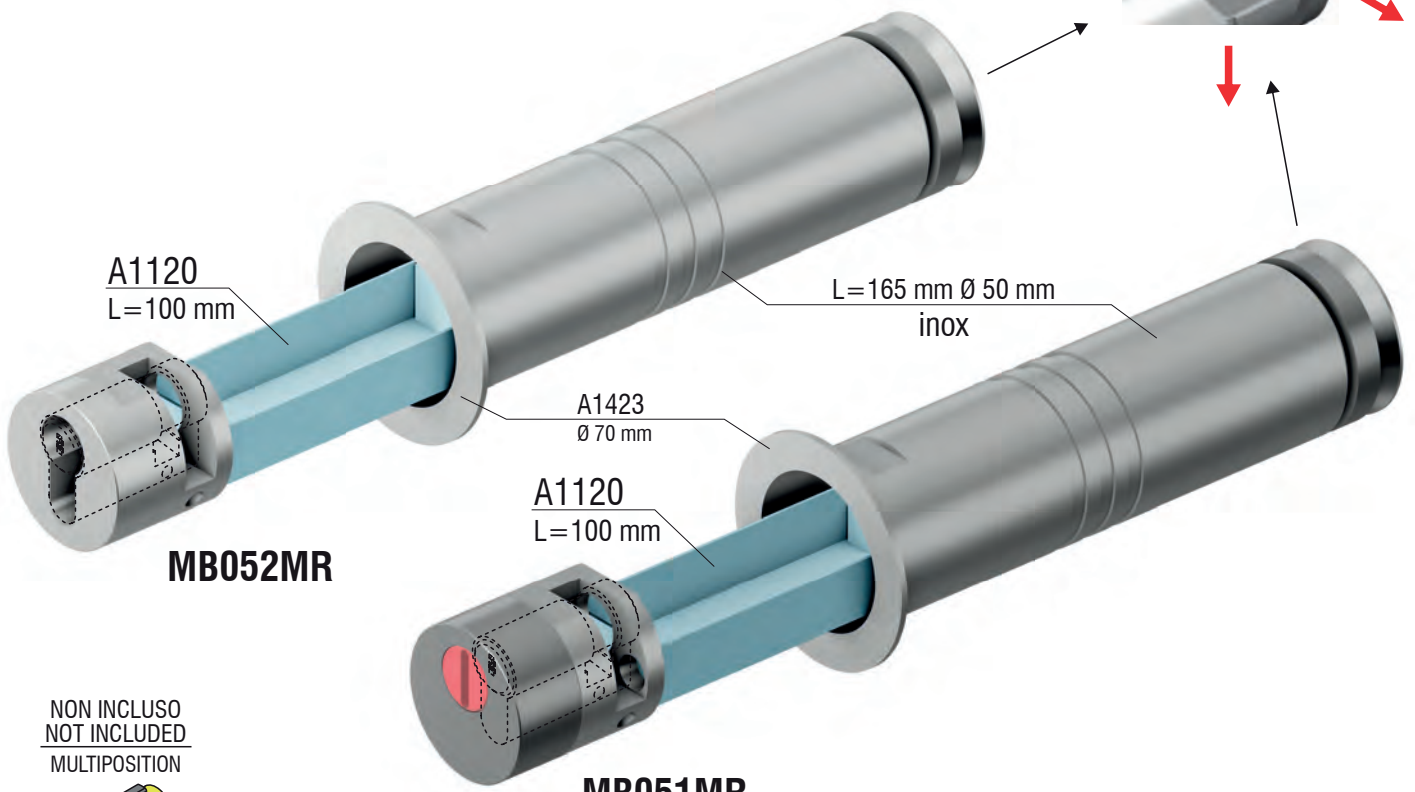
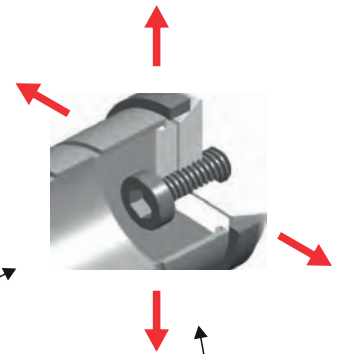
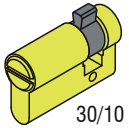
MB062CH

NON INCLUSO
NOT INCLUDED
MULTIPOSITION

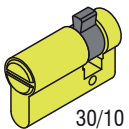


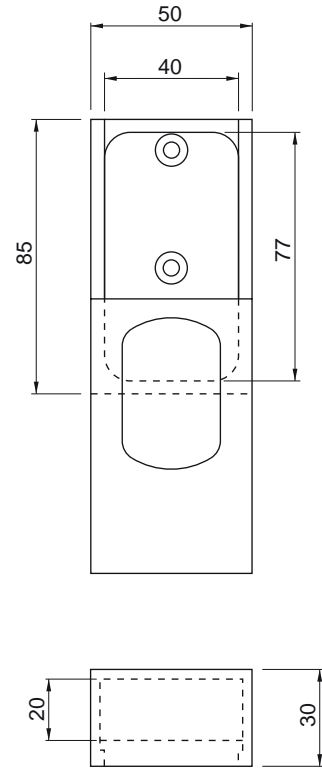


NON INCLUSO
NOT INCLUDED
MULTIPOSITION



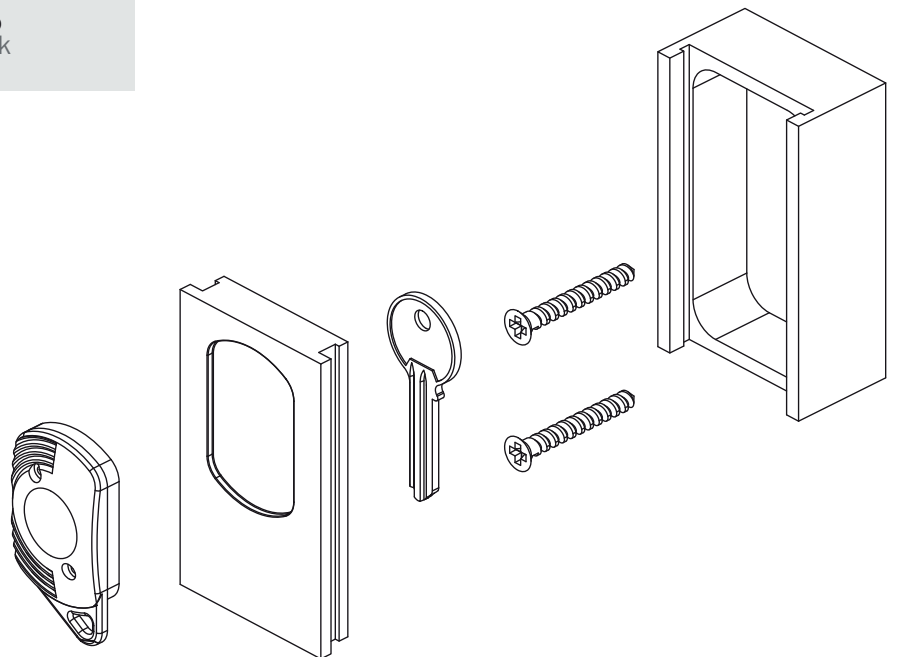
NON INCLUSO
NOT INCLUDED
MULTIPOSITION

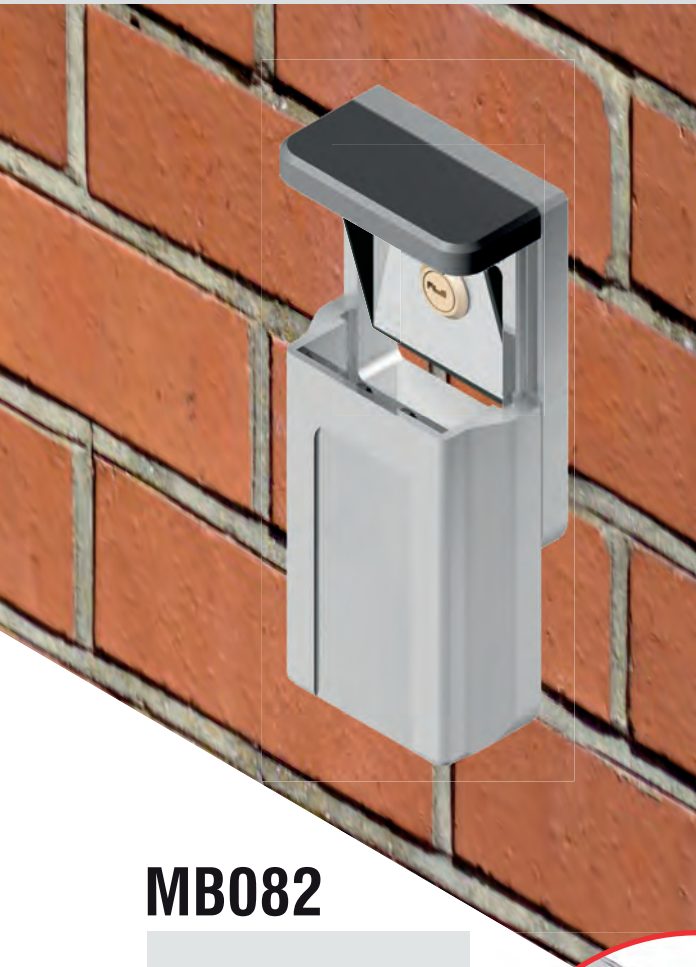




MG095K

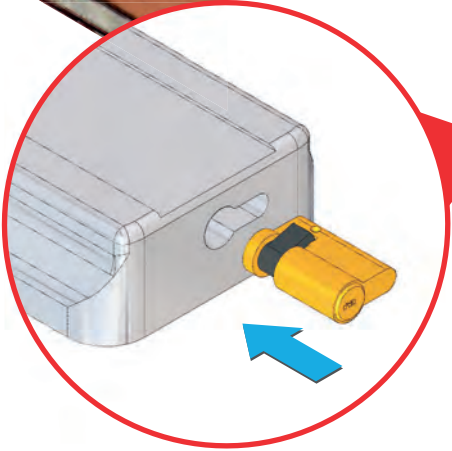
N Nero
Black





MB082

⑥ Argento anodizzato
Anodized silver



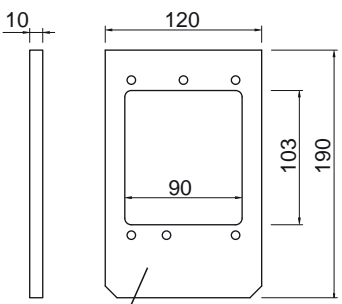
30/10
non incluso / not included
camma regolabile
adjustable cam required

Max dimension:
103 x 90 mm
H 63 mm

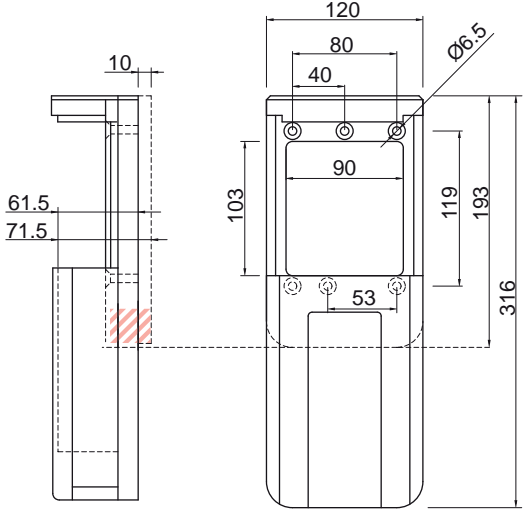


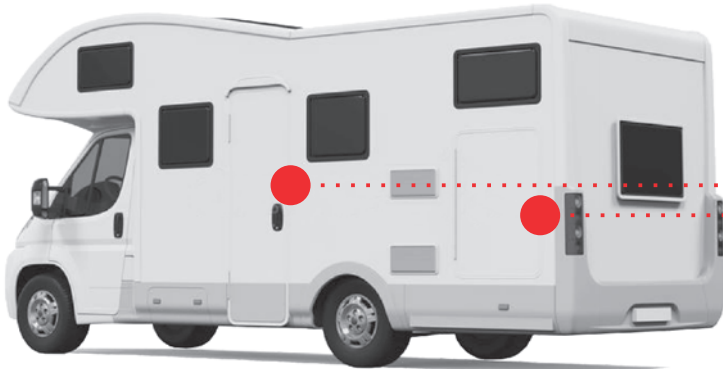
OPTIONAL
SPESSORE
SPACER

10



A2007
OPTIONAL
SPESSORE / SPACER



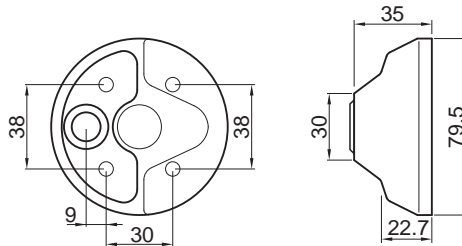


AUTOMOTIVE & VAN LOCK





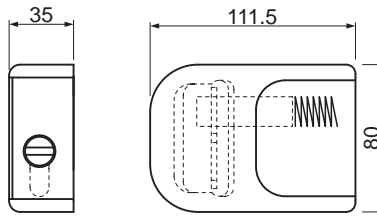
RIF70



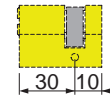
VIDEO:



RIF040



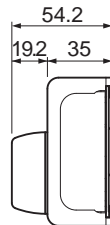
FORNITO CON O
SENZA CILINDRO
SUPPLIED WITH OR
WITHOUT CYLINDER



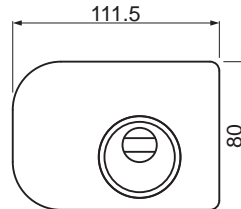
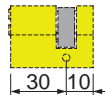
VIDEO:



RIF035 / RIF035 PLUS



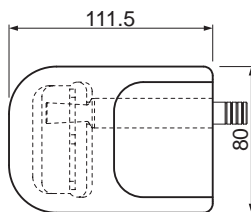
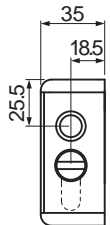
FORNITO CON O
SENZA CILINDRO
SUPPLIED WITH OR
WITHOUT CYLINDER



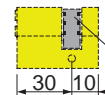
VIDEO:



RIF031



FORNITO CON O
SENZA CILINDRO
SUPPLIED WITH OR
WITHOUT CYLINDER



CAMMA
REGOLABILE
MULTIPOSITION

VIDEO:



MG830



MAGNETIC
KEY

BLOCCO SICUREZZA
A CHIAVE MAGNETICA
SECURITY BLOCK WITH
MAGNETIC KEY

OBD



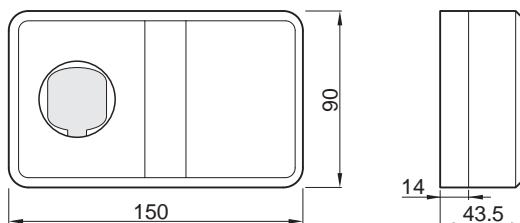
DISKLOCK



MGCMP..



MAGNETIC KEY



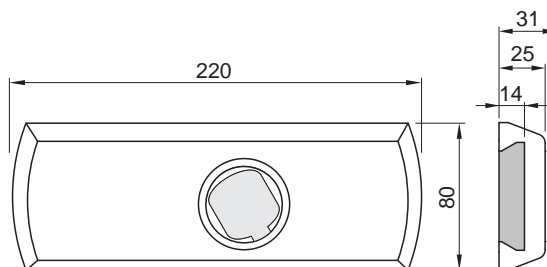
VIDEO:



MG860 / MG860CMP



MAGNETIC KEY



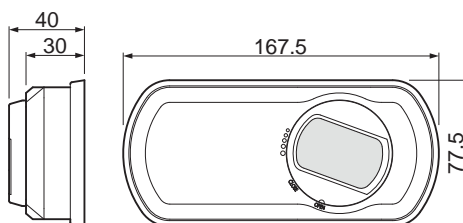
VIDEO:



MG855



MAGNETIC KEY



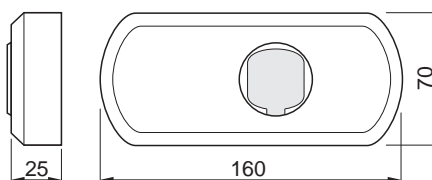
VIDEO:



MG850 / MG850S



MAGNETIC KEY



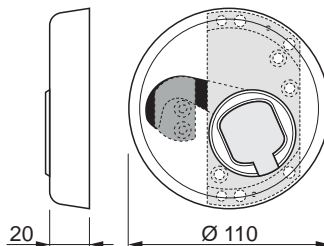
VIDEO:



MG845 / MG845M



MAGNETIC KEY



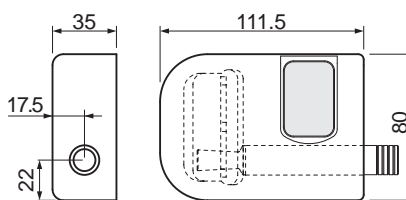
VIDEO:



MG835



MAGNETIC KEY

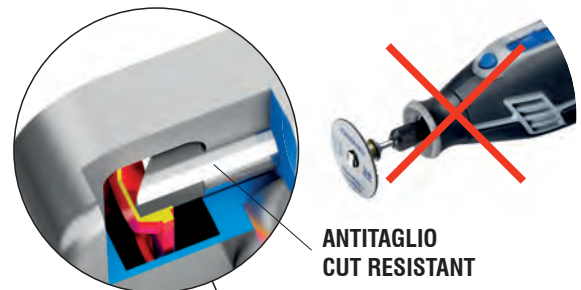
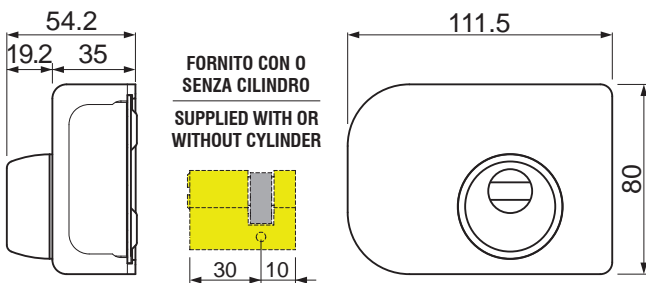
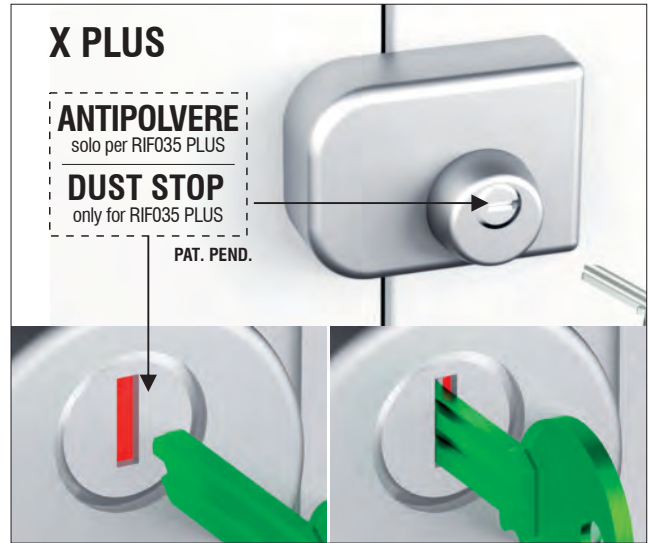


VIDEO:

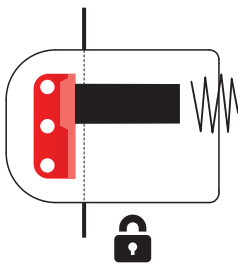




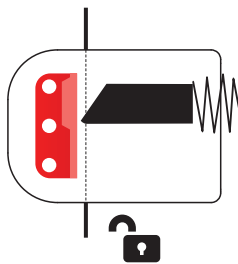
- Montaggio facile.
- A richiesta chiave in KA, stessa chiave per più dispositivi.
- Serratura a cilindro europeo.
- Protezione anti-taglio con barra in tungsteno.
- Apertura interna di sicurezza.
- Protezione cilindro in acciaio inox.
- Rotore anti-polvere (su richiesta).
- Rotore con protezione in Mn anti-trapano.
- Easy to assemble.
- KA on request (same key for multiple devices).
- European cylinder operated.
- Cut-resistant protection with tungsten bar.
- Internal safety opening.
- Stainless steel cylinder protection.
- Anti-dust rotor (on request).
- Rotor with Mn (Manganese) anti-drill protection.
- Latch closure.



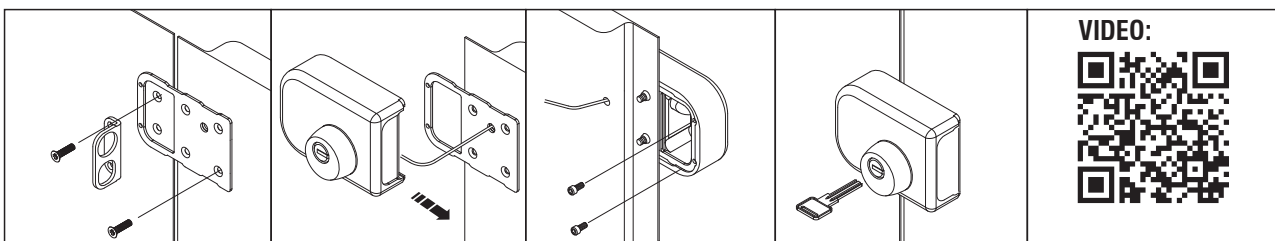
CHIUSO / CLOSED



APERTO / OPEN



chiusura a scrocco / lock latch

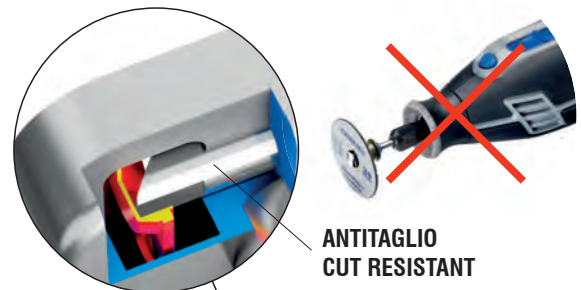
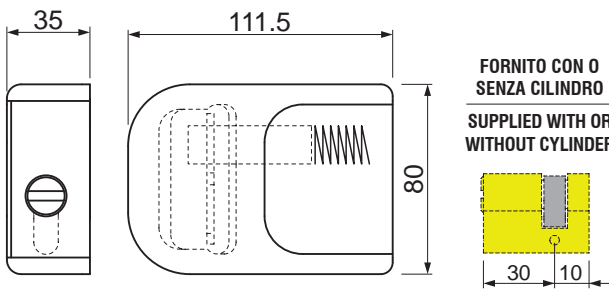


VIDEO:

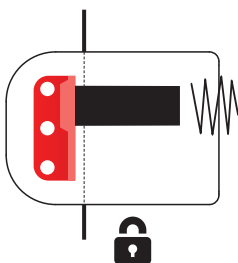




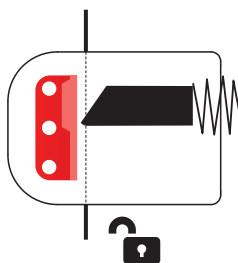
- Montaggio facile.
- A richiesta chiave in KA, stessa chiave per più dispositivi.
- Serratura a cilindro europeo.
- Protezione anti-taglio con barra in tungsteno.
- Apertura interna di sicurezza.
- Protezione cilindro inox.
- Easy to assemble.
- KA on request (same key for multiple devices).
- European cylinder operated.
- Cut-resistant protection with tungsten bar.
- Internal safety opening.
- Stainless steel cylinder protection.



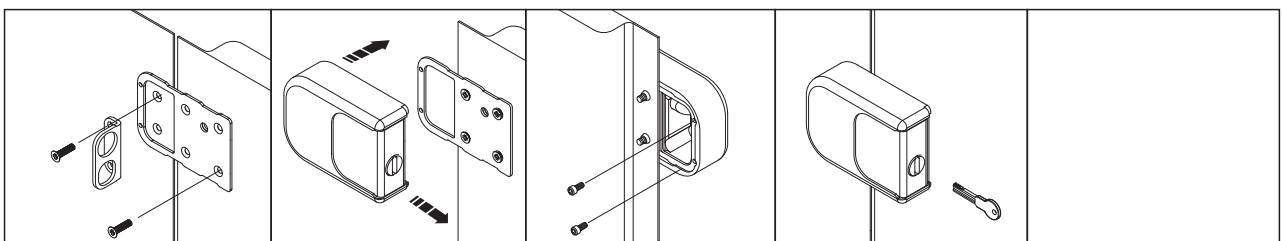
CHIUSO / CLOSED



APERTO / OPEN

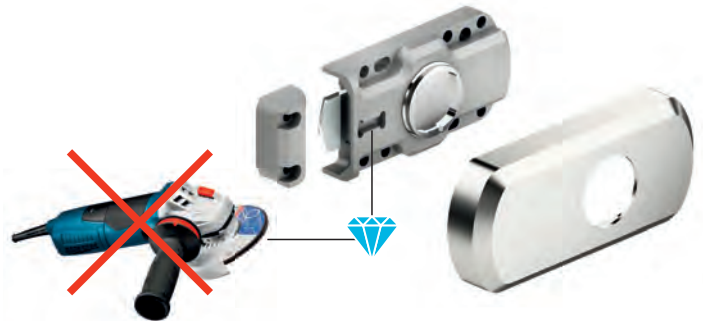
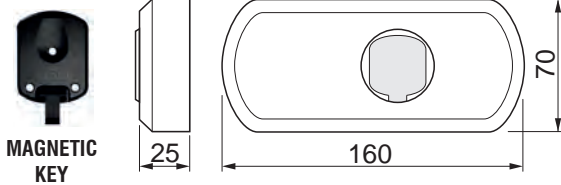


chiusura a scrocco / lock latch

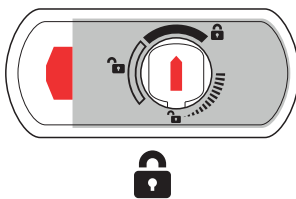




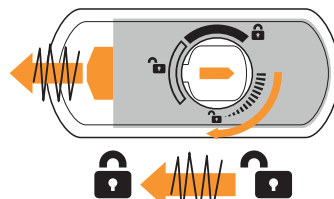
- Montaggio facile.
- A richiesta chiave in KA, stessa chiave per più dispositivi.
- Serratura anti-picking a chiave magnetica.
- Protezione anti-taglio con barra in tungsteno.
- Apertura interna di sicurezza.
- Easy to assemble.
- KA on request (same key for multiple devices).
- Antipicking magnetic lock.
- Cut-resistant protection with tungsten bar.
- Internal safety opening.



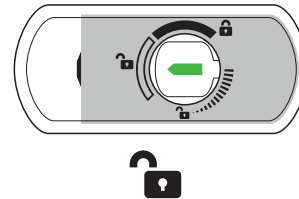
MG850



CHIUSO / CLOSED

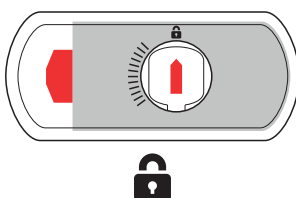


CON SCROCCO / LOCK LATCH

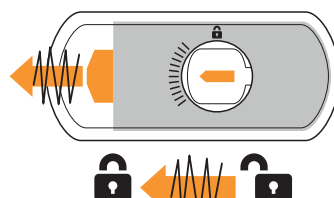


SEMPRE APERTO / ALWAYS OPEN

MG850S



CHIUSO / CLOSED



CON SCROCCO / LOCK LATCH

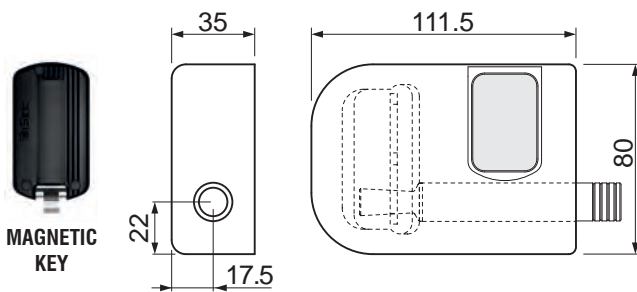
VIDEO:





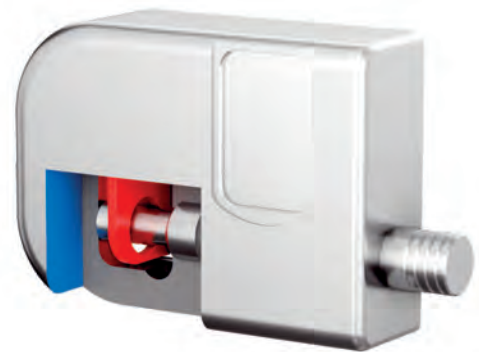
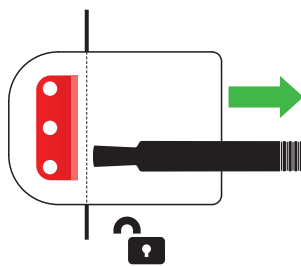
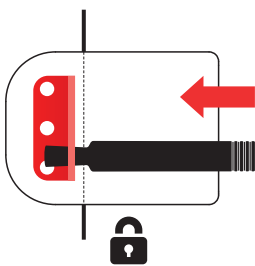
- Montaggio facile.
- A richiesta chiave in KA, stessa chiave per più dispositivi.
- Serratura anti-picking a chiave magnetica.

- Easy to assemble.
- KA on request (same key for multiple devices).
- Antipicking magnetic lock.

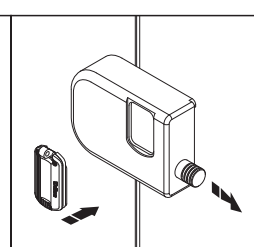
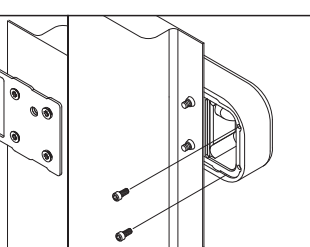
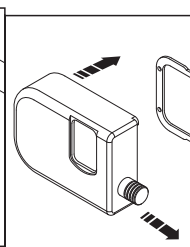
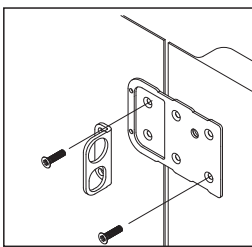


CHIUSO / CLOSED

APERTO / OPEN



**CATENACCIO BLOCCATO ANCHE
IN POSIZIONE DI APERTURA
BOLT LOCKED IN OPEN POSITION TOO**



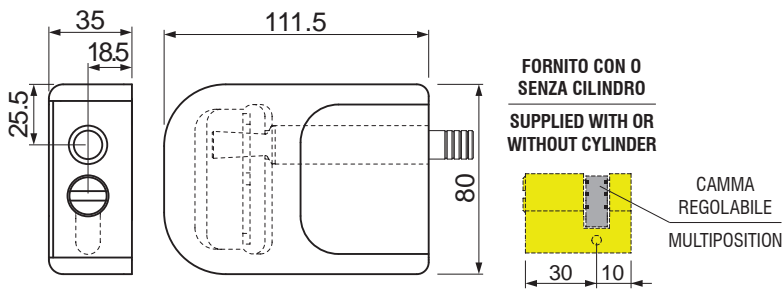
VIDEO:





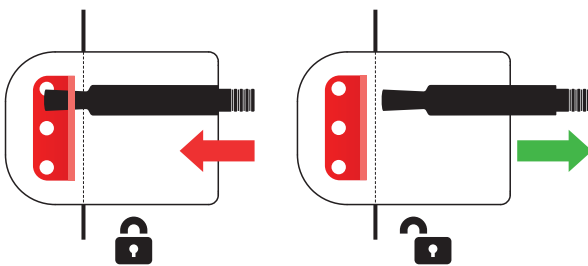
- Montaggio facile.
- A richiesta chiave in KA, stessa chiave per più dispositivi.
- Serratura a cilindro europeo.
- Protezione cilindro inox.

- Easy to assemble.
- KA on request (same key for multiple devices).
- European cylinder operated.
- Stainless steel cylinder protection.

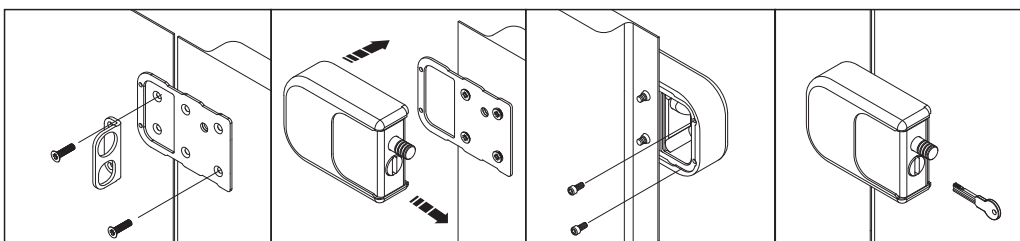


CHIUSO / CLOSED

APERTO / OPEN



CATENACCIO BLOCCATO ANCHE IN POSIZIONE DI APERTURA
BOLT LOCKED IN OPEN POSITION TOO

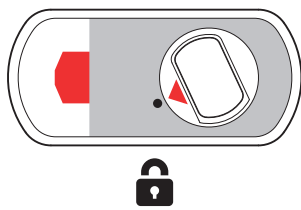
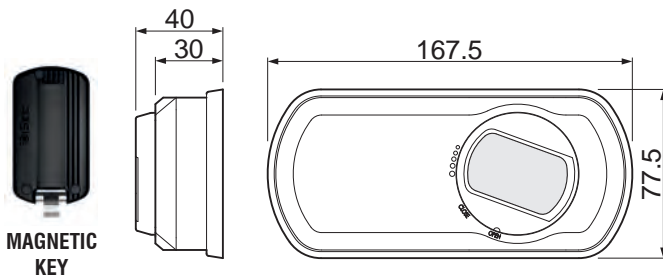


VIDEO:

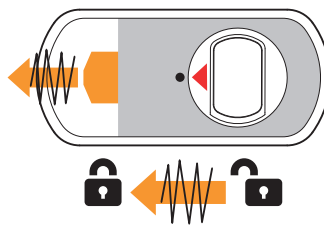




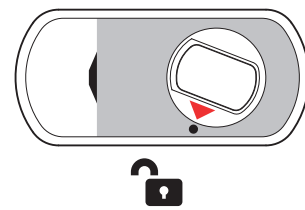
- Montaggio facile.
- A richiesta chiave in KA, stessa chiave per più dispositivi.
- Serratura anti-picking a chiave magnetica.
- Protezione anti-taglio con barra in tungsteno.
- Apertura interna di sicurezza.
- Easy to assemble.
- KA on request (same key for multiple devices).
- Antipicking magnetic lock.
- Cut-resistant protection with tungsten bar.
- Internal safety opening.



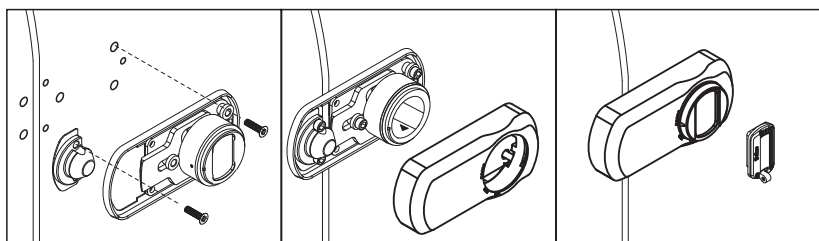
CHIUSO / CLOSED



CON SCROCCO / LOCK LATCH



SEMPRE APERTO / ALWAYS OPEN



VIDEO:



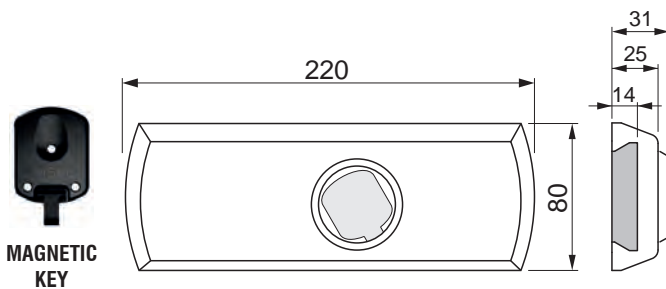


- Montaggio facile.
- A richiesta chiave in KA, stessa chiave per più dispositivi.
- Serratura anti-picking a chiave magnetica.

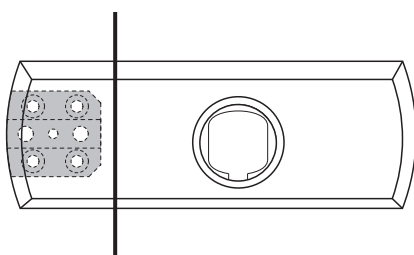
- Easy to assemble.
- KA on request (same key for multiple devices).
- Antipicking magnetic lock.



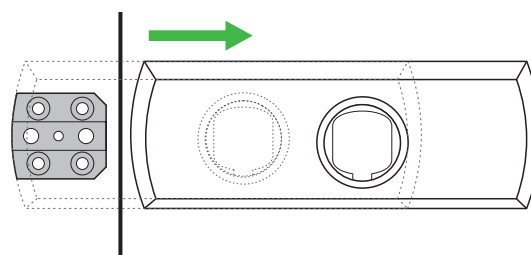
VIDEO:



CHIUSO / CLOSED



APERTO / OPEN





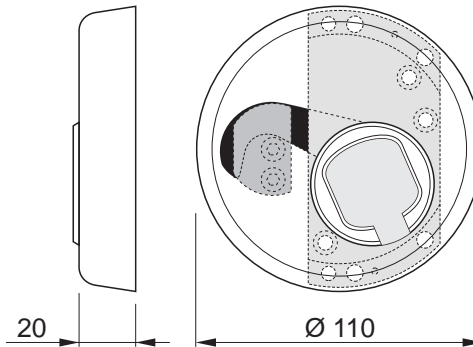
- Montaggio facile.
- A richiesta chiave in KA, stessa chiave per più dispositivi.
- Serratura anti-picking a chiave magnetica.
- Cover in acciaio finitura satinata.
- Easy to assemble.
- KA on request (same key for multiple devices).
- Antipicking magnetic lock.
- Cover made in satin stainless steel.



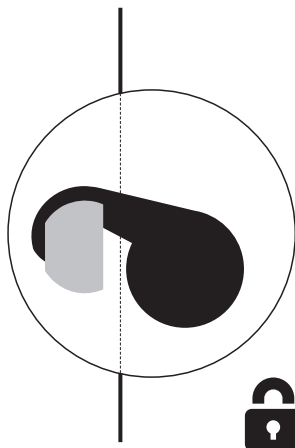
VIDEO:



MAGNETIC KEY



CHIUSO
CLOSED



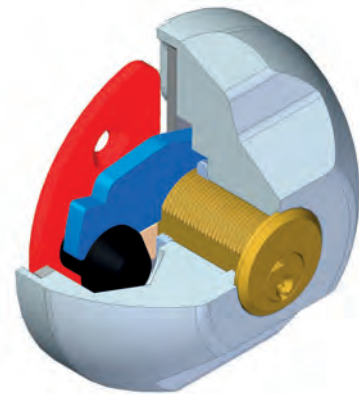
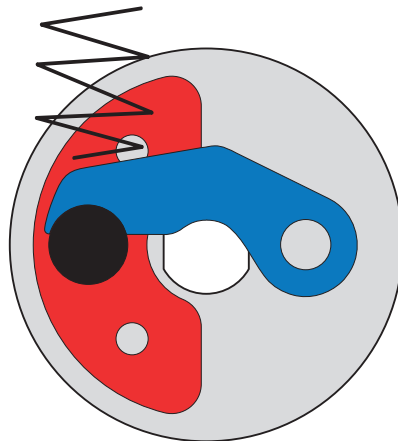
APERTO
OPEN



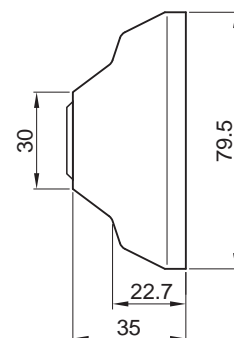
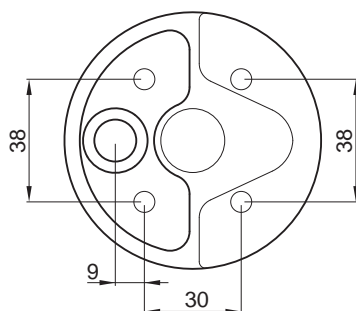
- Montaggio facile.
- A richiesta chiave in KA, stessa chiave per più dispositivi.
- Apertura interna di sicurezza.
- Easy to assemble.
- KA on request (same key for multiple devices).
- Internal safety opening.

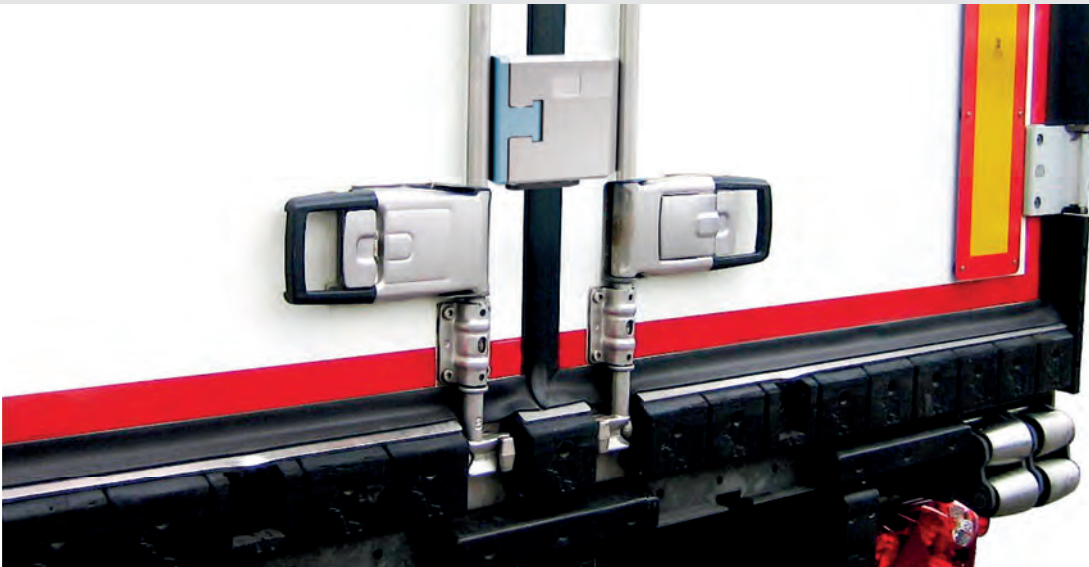


**CHIUSURA
A SCROCCO**
LOCK LATCH



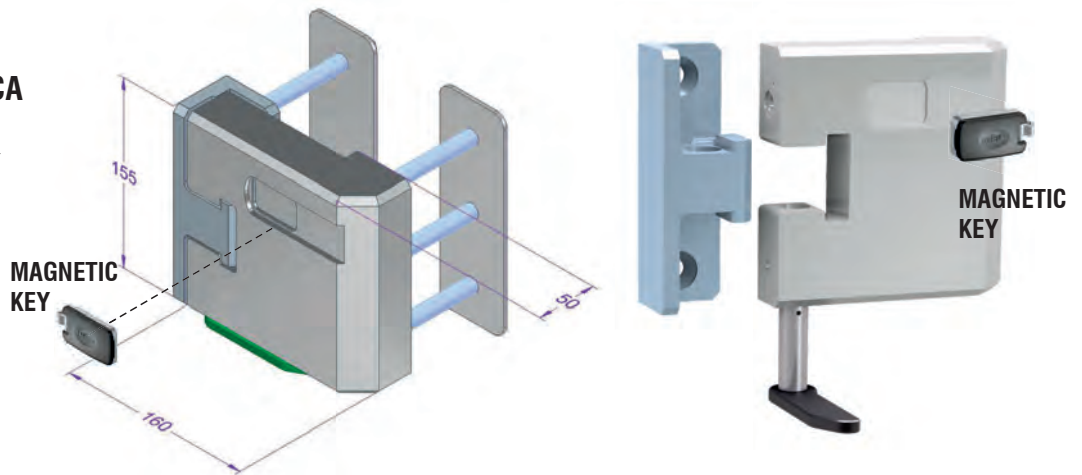
VIDEO:





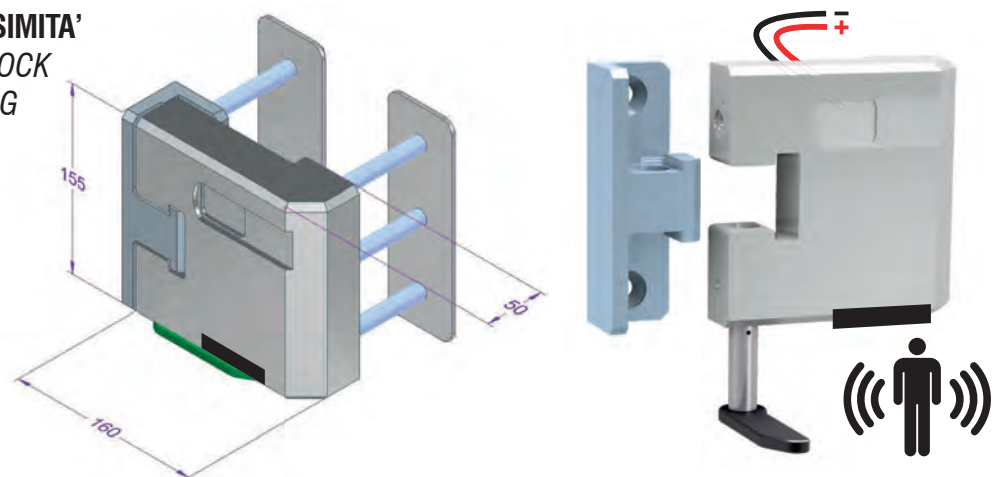
MG830

**BLOCCO SICUREZZA
A CHIAVE MAGNETICA**
*SECURITY LOCKING
WITH MAGNETIC KEY*



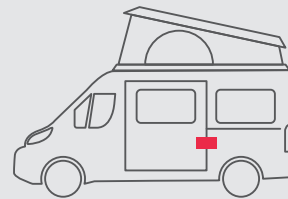
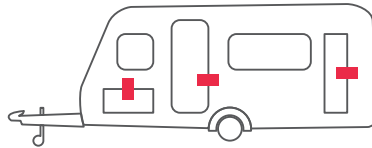
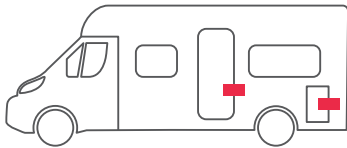
MG830PRX

**BLOCCO SICUREZZA ELETTRONICO
CON APERTURA DI PROSSIMITA'**
*ELECTRONIC SECURITY LOCK
WITH PROXIMITY OPENING*

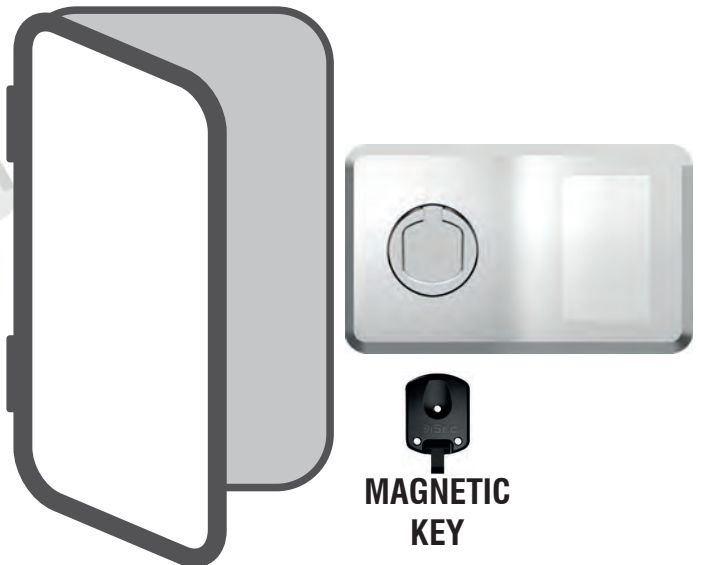
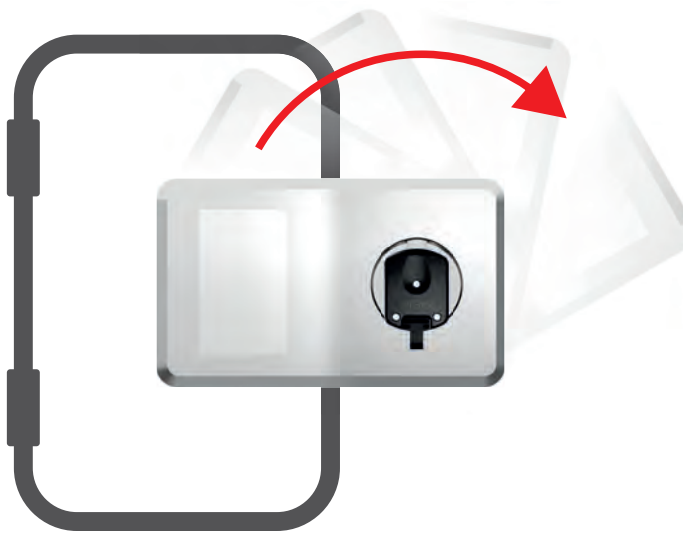
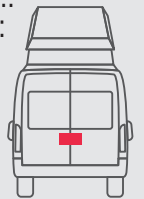




CAMPER - CARAVAN - VAN



VEDI ART.:
SEE ART.:
MG831
MG835
MG850
MG855
MG860



Serratura ad altissima sicurezza per camper, roulotte, furgoni e motorhome; avvolgente ed ergonomica, facile da installare, adatta per tutte le porte anche per porte scorrevoli.

Serratura antipolvere, anti-vandalo e resistente agli agenti atmosferici.

Speciale serratura magnetica a rotazione, dotata di chiave a combinazione. Disponibile in due versioni: solo apertura esterna oppure apertura interna/esterna.

Disponibile con controplacca per eventuale fissaggio passante.

Sistema fornito di due chiavi e card di proprietà con codice.

Kit chiavi uguali per tutte le serrature dell'automezzo disponibile a richiesta.

Disponibile con finiture bianco ed argento.

High security lock for campers, caravans, vans and motorhomes, ergonomic, easy to install, suitable for all doors, even for sliding doors.

Dustproof, vandal resistant and weather resistant lock.

Special magnetic rotating lock equipped with coded key. It is available in two versions: external opening only or internal / external opening.

Available with counterplate for possible through door fixing.

System equipped with two keys and security card with code.

Same key kit (to be used on all the lock of a specific vehicle) available on request.

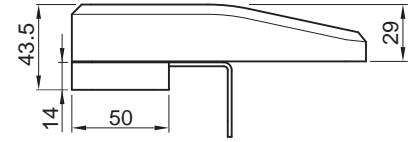
Available in white and silver finishes.



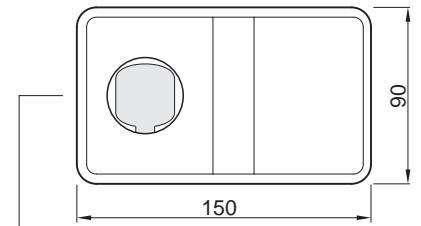
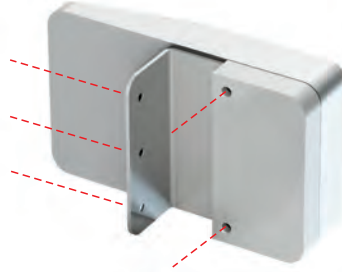
MGCMP01



POMOLO PER APERTURA INTERNA
Knob for internal opening



MGCMP02



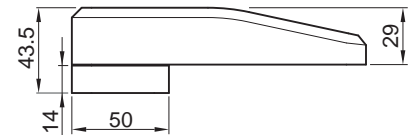
MAGNETIC KEY



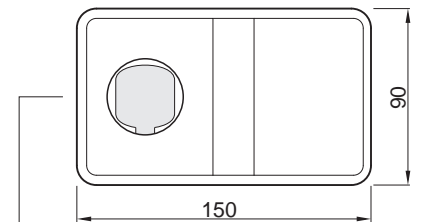
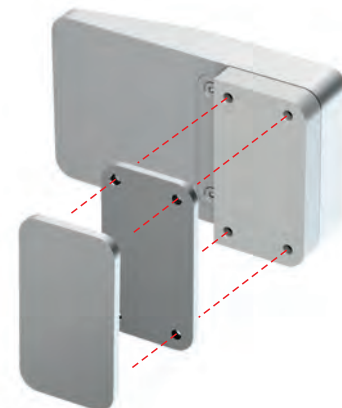
MGCMP03



POMOLO PER APERTURA INTERNA
Knob for internal opening



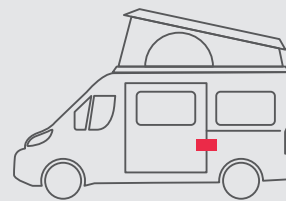
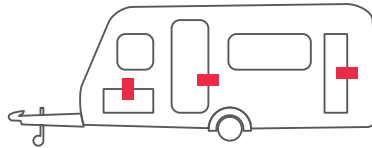
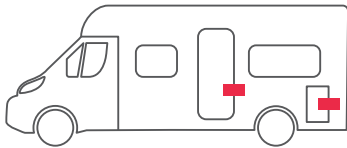
MGCMP04



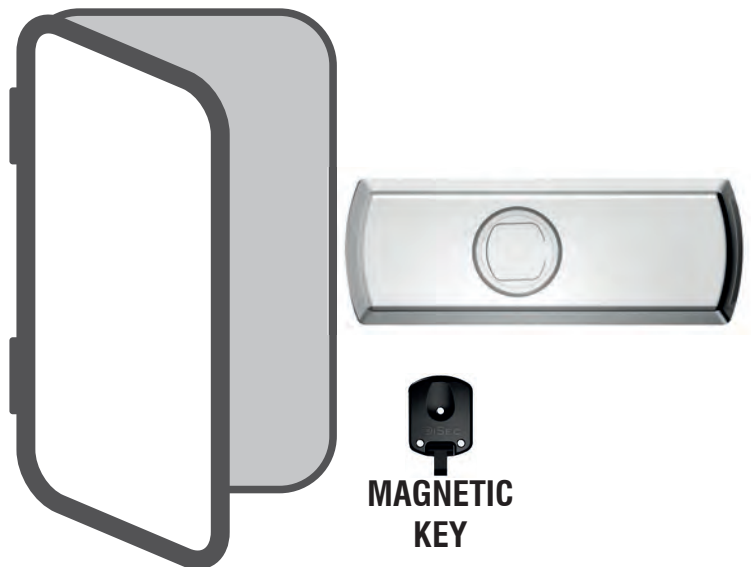
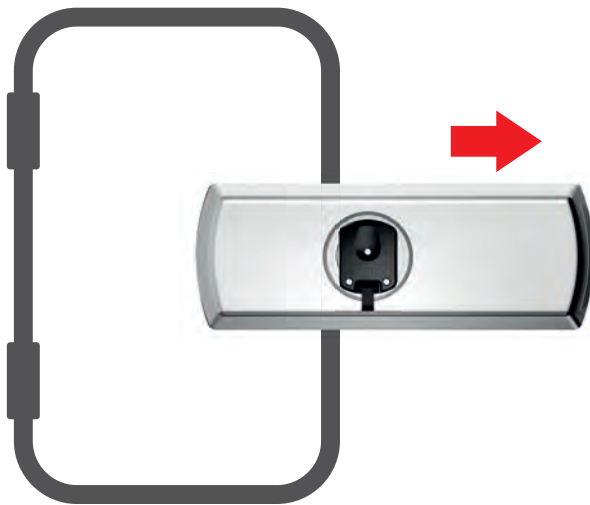
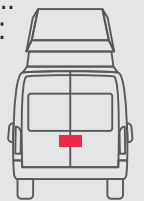
MAGNETIC KEY



CAMPER - CARAVAN - VAN



VEDI ART.:
SEE ART.:
MG831
MG835
MG850
MG855
MG860



Serratura ad altissima sicurezza per camper, roulotte, furgoni e motorhome; avvolgente ed ergonomica, facile da installare, adatta per tutte le porte anche per porte scorrevoli.

Serratura antipolvere, anti-vandalo e resistente agli agenti atmosferici.

Speciale serratura magnetica a scorrimento, dotata di chiave a combinazione.

Disponibile con controplacca per eventuale fissaggio passante.

Sistema fornito di due chiavi e card di proprietà con codice.

Kit chiavi uguali per tutte le serrature dell'automezzo disponibile a richiesta.

Disponibile con finiture nero ed argento.

High security lock for campers, caravans, vans and motorhomes, ergonomic, easy to install, suitable for all doors, even for sliding doors.

Dustproof, vandal resistant and weather resistant lock.

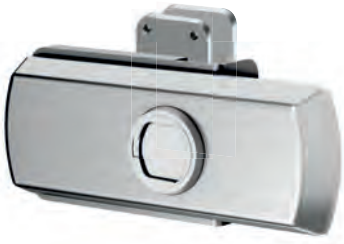
Special magnetic sliding lock equipped with coded key.

Available with counterplate for possible through door fixing.

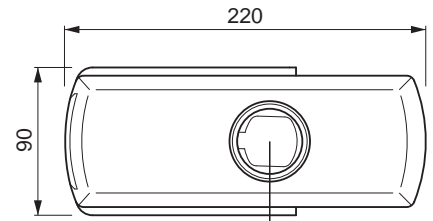
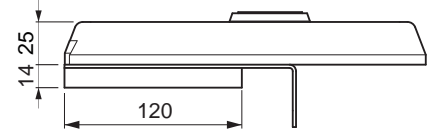
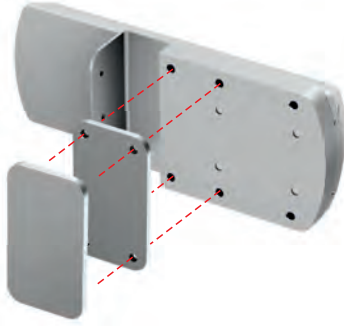
System equipped with two keys and security card with code.

Same key kit (to be used on all the lock of a specific vehicle) available on request.

Available in black and silver finishes.



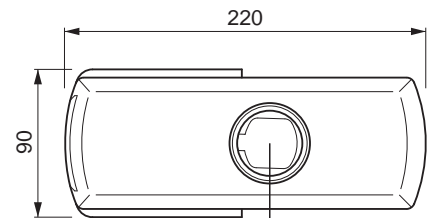
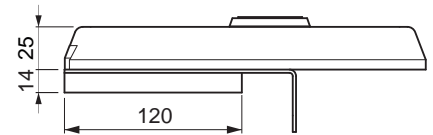
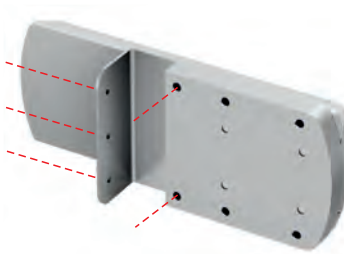
MG860CMP01



MAGNETIC KEY



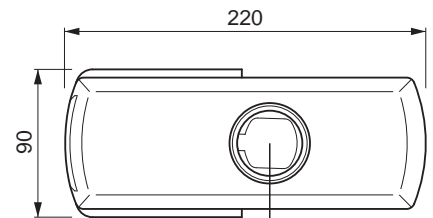
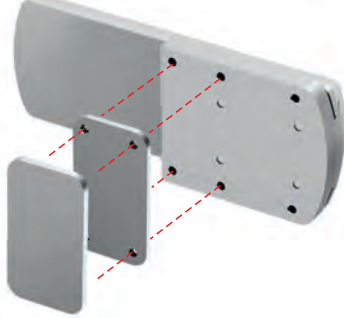
MG860CMP02



MAGNETIC KEY



MG860CMP03



MAGNETIC KEY



MG860CMP04





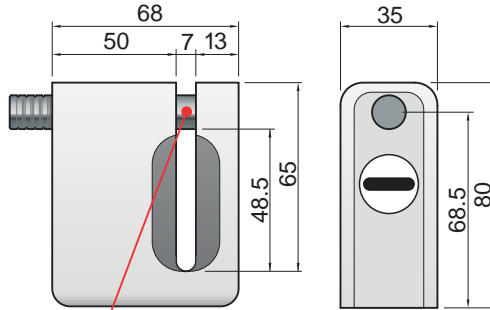
VIDEO



Ø6

M630CY-06
CON CILINDRO / WITH CYLINDER

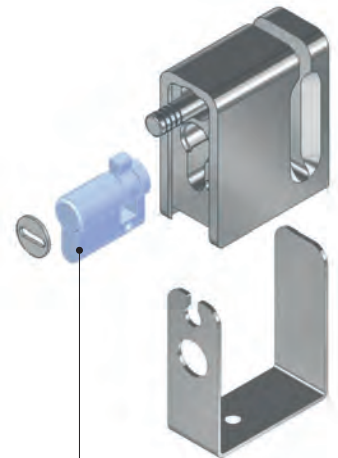
M630-06
SENZA CILINDRO / NO CYLINDER



Ø10

M630CY-10
CON CILINDRO / WITH CYLINDER

M630-10
SENZA CILINDRO / NO CYLINDER



CILINDRO CON
CAMMA
REGOLABILE
CYLINDER WITH
ADJUSTABLE CAM

Fornito con cilindro montato
oppure senza cilindro
Supplied with cylinder or
without cylinder



KM0P20
MAGNETIC
KEY

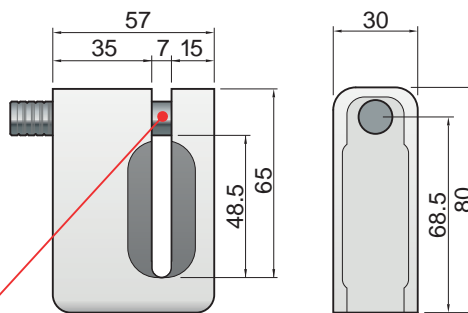


Ø6

MG610-06

Ø10

MG610-10

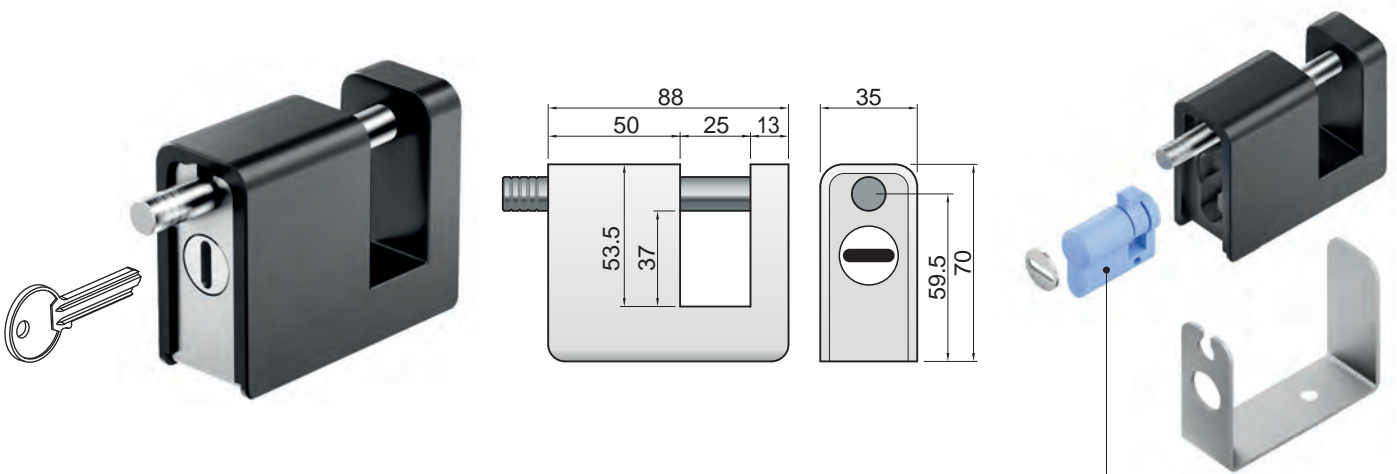


- Sistema brevettato Disec.
- Anti-picking e anti-bumping.
- Arco in inox AISI 420 temperato e rivestito in PVD.
- Chiusura con chiave magnetica.
- Riproduzione chiave protetta con security card, duplicazione autorizzata.
- Fornito con 2 chiavi in dotazione.
- Chiavi in KA su richiesta.
- KM Key Master.

- Disec patented system.
- Anti-picking and anti-bumping.
- Hardened stainless steel shackle AISI 420 PVD coated.
- Magnetic key locking.
- Protected key duplication with security card for restricted duplication.
- Supplied with 2 keys.
- KA on request.
- KM Key Master.



VIDEO



M650CY
CON CILINDRO / WITH CYLINDER

M650
SENZA CILINDRO / NO CYLINDER

CILINDRO CON CAMMA REGOLABILE
CYLINDER WITH ADJUSTABLE CAM
Fornito con cilindro montato oppure senza cilindro
Supplied with cylinder or without cylinder



KMOP20
MAGNETIC KEY

INOX peso / weight: 990g

MG620

- Sistema brevettato Disec.
- Anti-picking e anti-bumping.
- **Corpo monoblocco in acciaio inox AISI 304.**
- Arco in inox AISI 420 temperato e rivestito in PVD.
- Chiusura con chiave magnetica.
- **Oltre 100.000 combinazioni possibili.**
- Riproduzione chiave protetta con security card, duplicazione autorizzata.
- Fornito con 2 chiavi in dotazione.
- Chiavi in KA su richiesta.
- **Finitura INOX satinato.**
- KM Key Master.

- *Disec patented system.*
- *Anti-picking and anti-bumping.*
- **Solid stainless steel body AISI 304.**
- *Hardened stainless steel shackle AISI 420 PVD coated.*
- *Magnetic key locking.*
- **Over 100.000 possible combinations.**
- *Protected key duplication with security card for restricted duplication.*
- *Supplied with 2 keys.*
- *KA on request.*
- **Stainless steel satin finish.**
- KM Key Master.

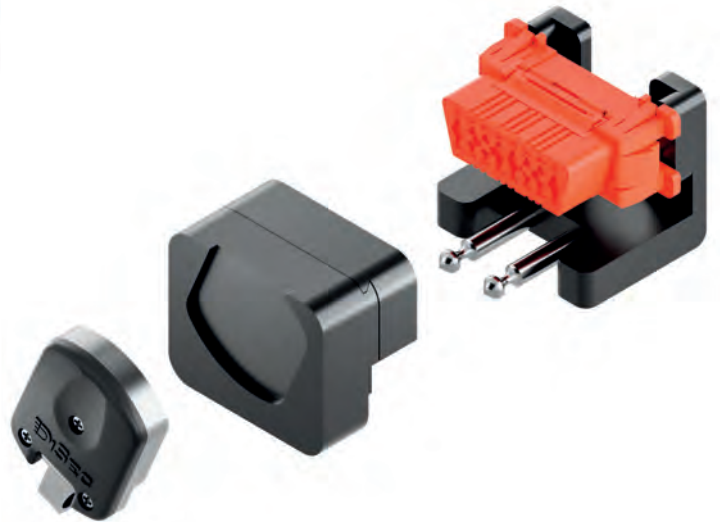


MG-OBD

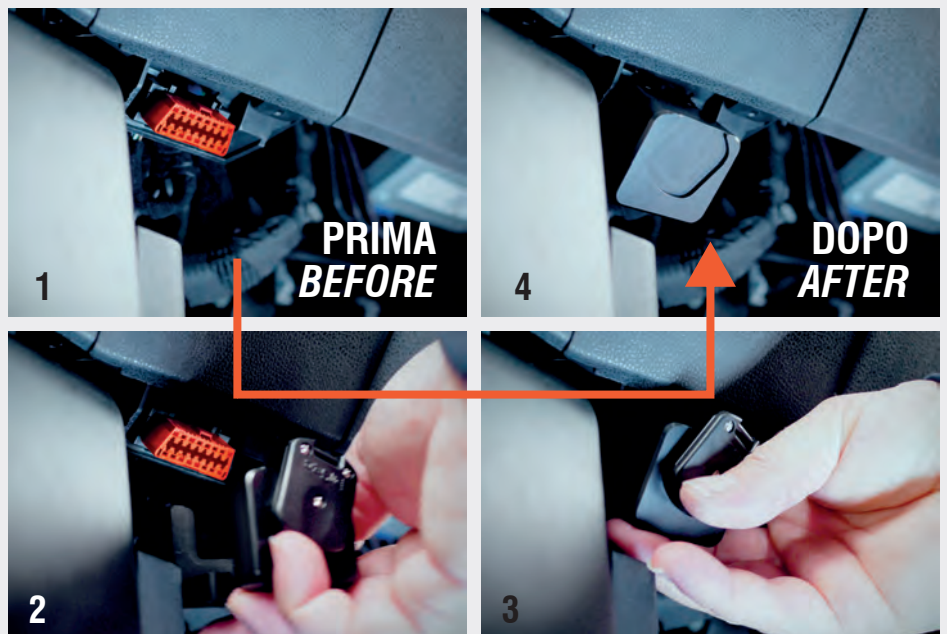
PROTEZIONE CON CHIAVE MAGNETICA
Protection with magnetic key

MG-OBD02
MG-OBD03
MG-OBD04

MG-OBD05
MG-OBD06
MG-OBD07



INFO &
VIDEO:





MG-OBD02



MAZDA
MITSUBISHI
OUTLANDER PHEV

MG-OBD03



TOYOTA
RAV4
LEXUS
NX

MG-OBD04



ALFA ROMEO GIULIETTA	JEEP RENEGADE CHEROKEE	FIAT 500 L 500 X PANDA <small>fino 2017</small> PUNTO	TOYOTA C-HR AYGO
CITROEN C1	GRAND-CHEROKEE COMPASS		
HYUNDAI TUCSON	VOLKSWAGEN TIGUAN TOURAN GOLF <small>serie 6</small>	HONDA CR-V HR-V JAZZ	
PEUGEOT 208			

MG-OBD05



SMART
serie 2007/2015

MG-OBD06



SMART
serie 2015/2020

MG-OBD07



FORD
PUMA

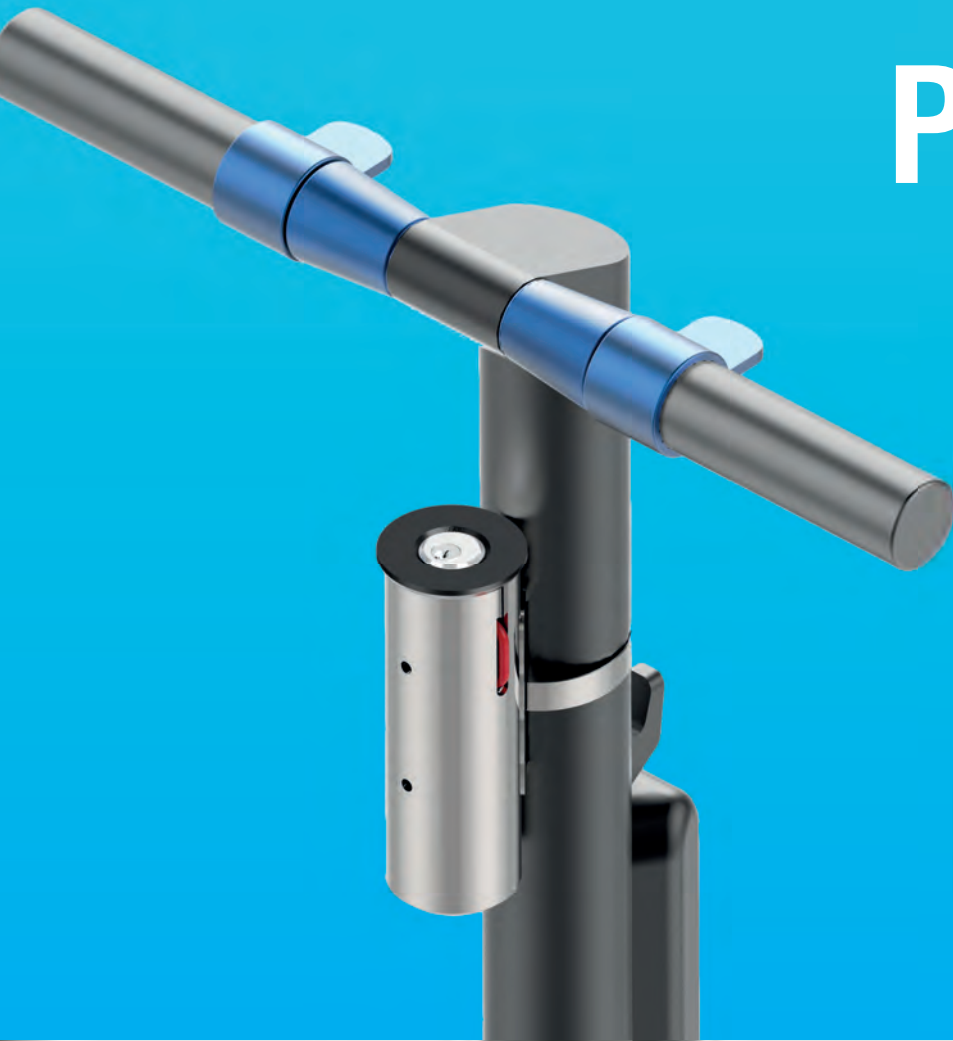


PLOKÁMI

**LUCCHETTO PER
MONOPATTINO**

**e-SCOOTER
SECURITY
LOCK**

PAT. PEND.
MADE IN ITALY



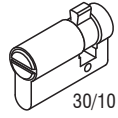


MADE IN ITALY - PAT. PEND.



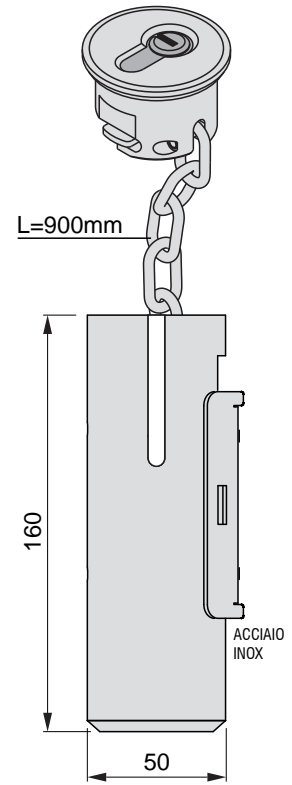
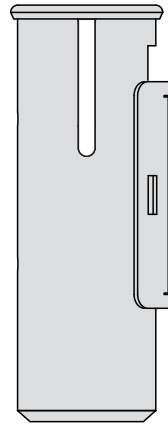
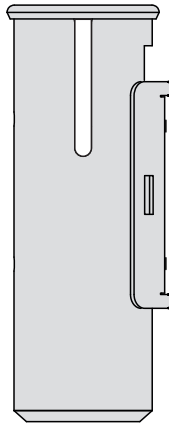
PACKAGING

NON INCLUSO
NOT INCLUDED
MULTIPLE CAM

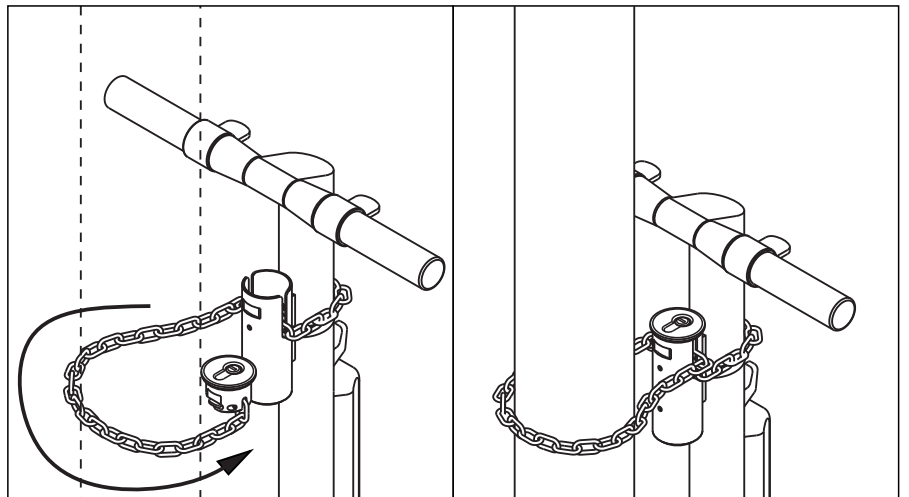
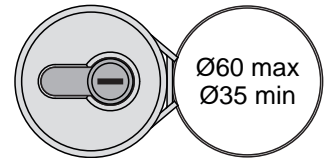
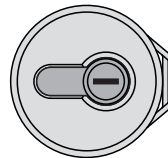
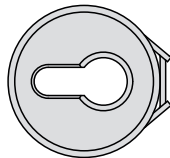


MP02E

MP01CL



VIDEO





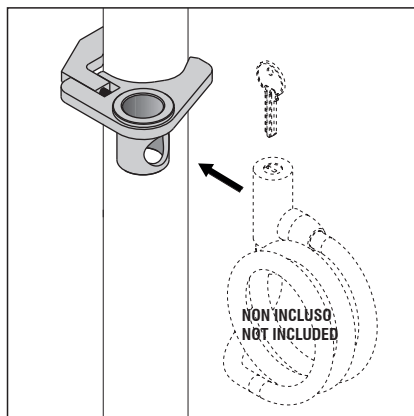
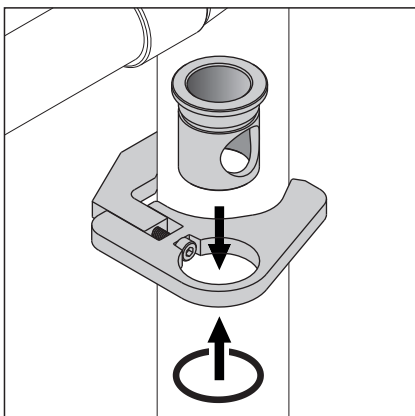
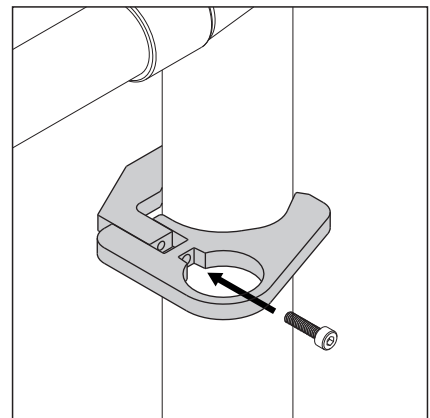
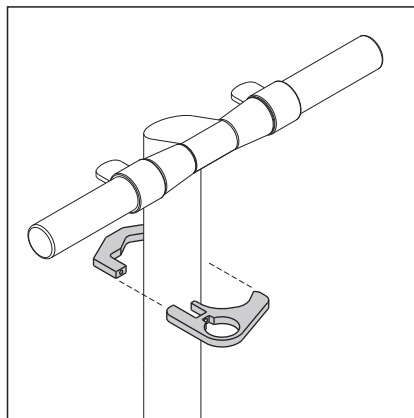
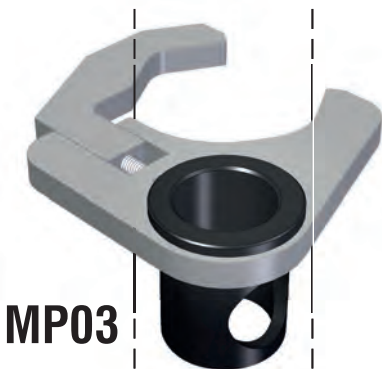
PLOKÁMI 3

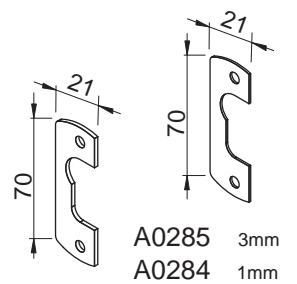
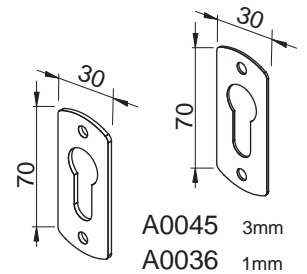
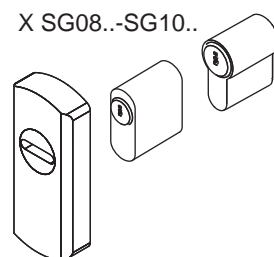
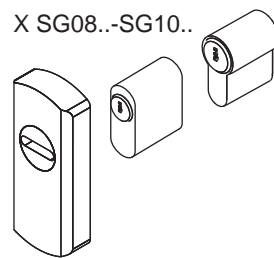
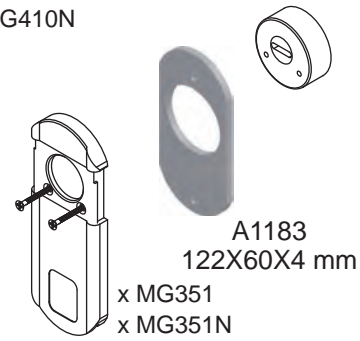
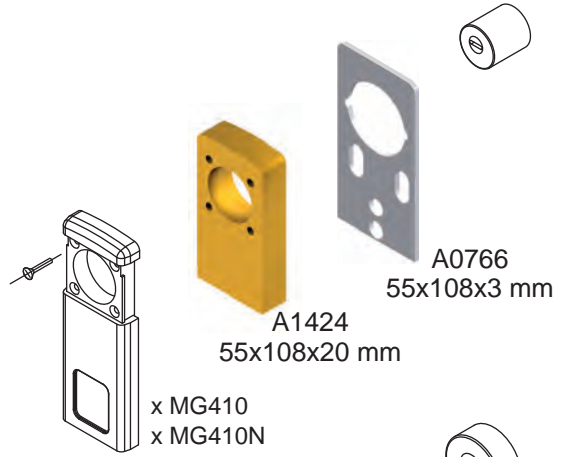
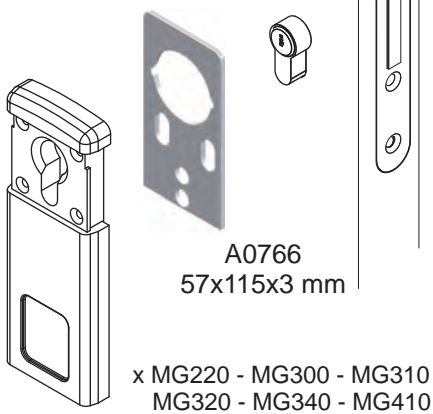
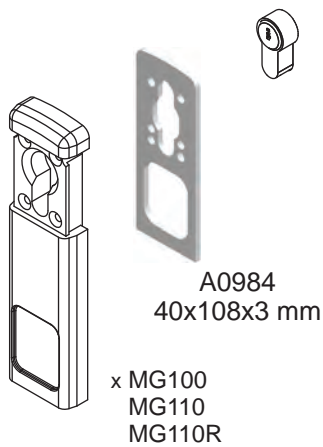
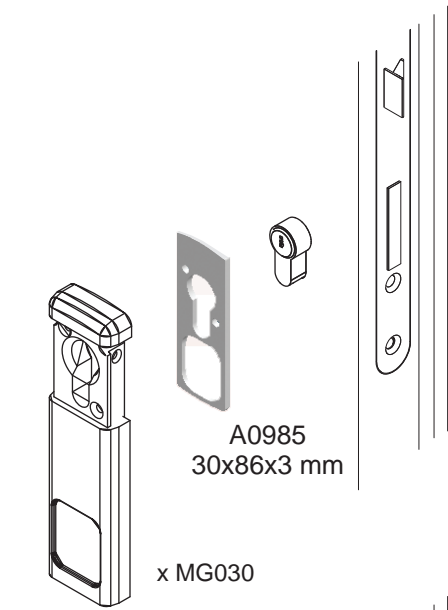
LUCCHETTO PER MONOPATTINO e-SCOOTER SECURITY LOCK

PAT. PEND.
MADE IN ITALY



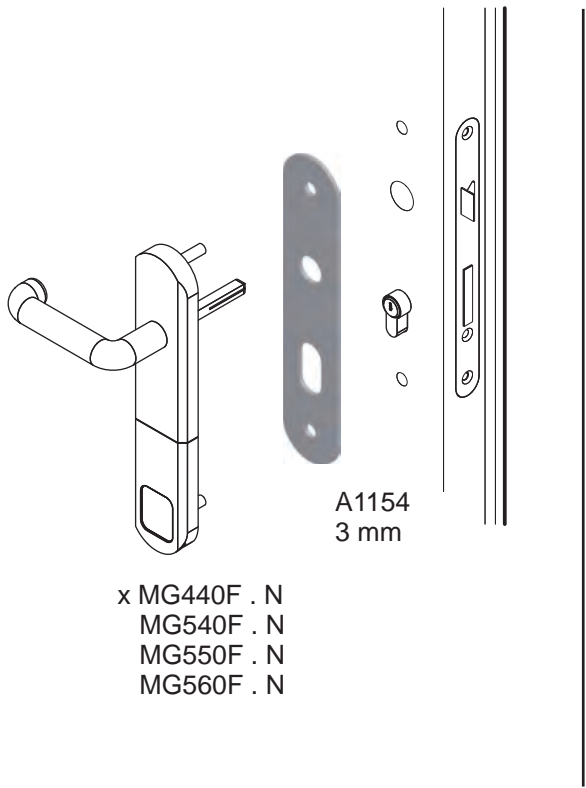
NON INCLUSO
NOT INCLUDED





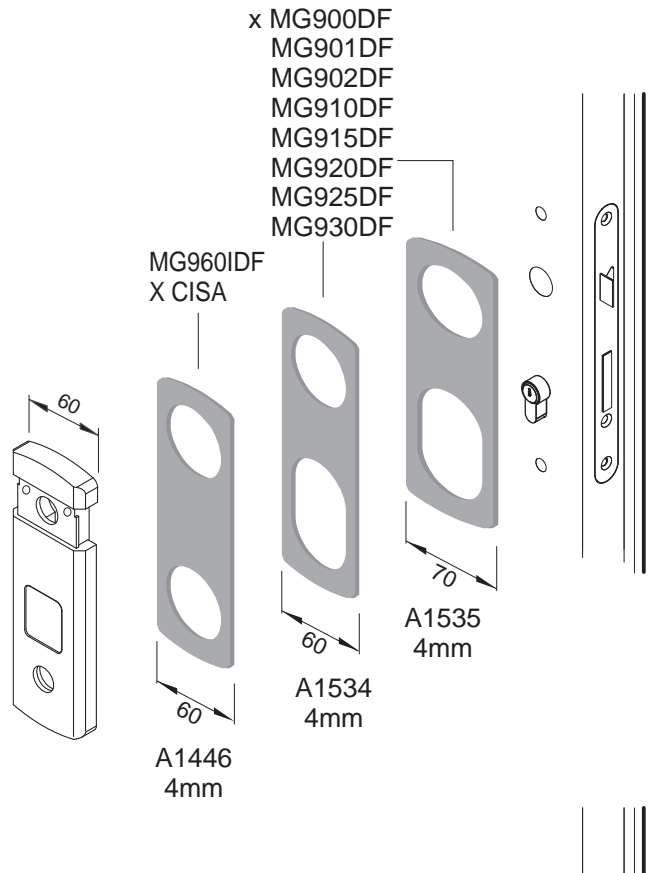
FINITURE / FINISHES

- ⑤ Chromo
Chrome
- ⑥ Argento anodizzato
Anodized silver
- ⑦ Ottone lucido
Bright brass
- ⑨ Oro anodizzato
Anodized gold



A1154
3 mm

- x MG440F . N
- MG540F . N
- MG550F . N
- MG560F . N



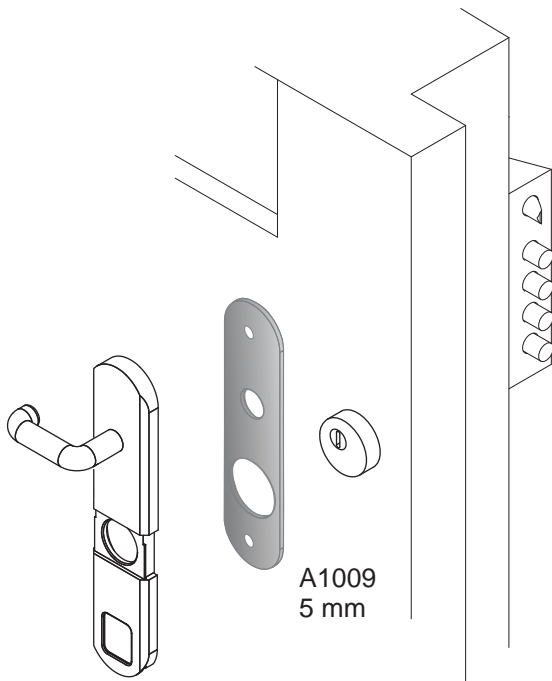
MG960IDF
X CISA

A1446
4mm

- x MG900DF
- MG901DF
- MG902DF
- MG910DF
- MG915DF
- MG920DF
- MG925DF
- MG930DF

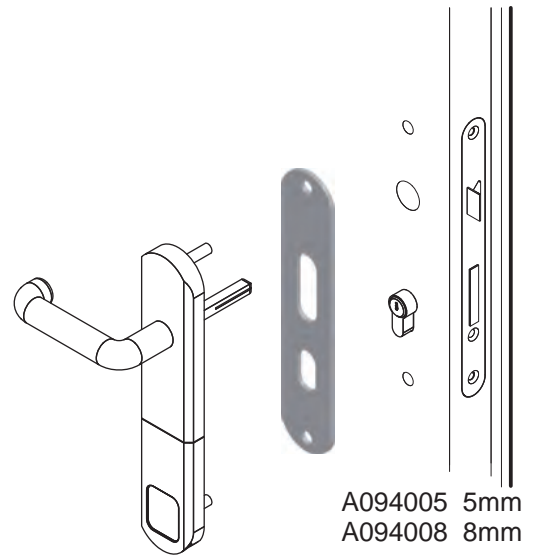
A1534
4mm

A1535
4mm



A1009
5 mm

- x MG577
- MG571F
- MG581F
- MG591F

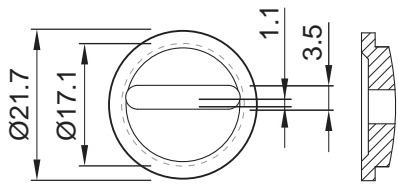
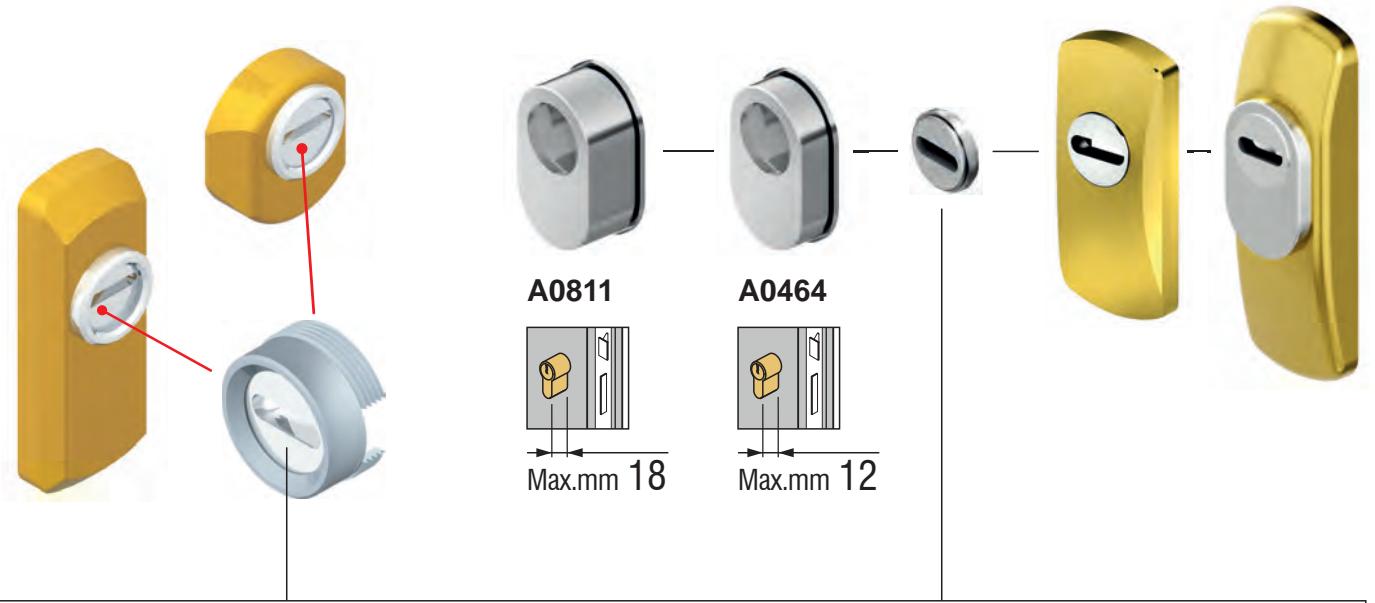


A094005 5mm
A094008 8mm

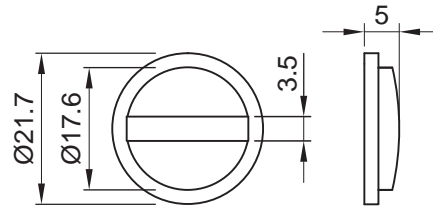
- x MG440G . S . I . A . D . B . Y
- MG520G . S . I . A . D . B . Y
- MG540G . S . I . A . D . B . Y
- MG550G . S . I . A . D . B . Y
- MG560G . S . I . A . D . B . Y

FINITURE / FINISHES

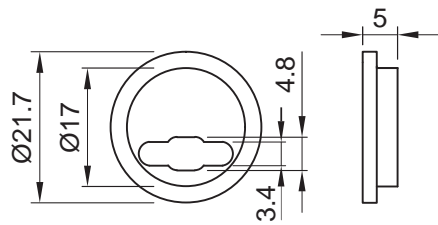
- ⑤ Chromo
Chrome
- ⑥ Argento anodizzato
Anodized silver
- ⑦ Ottone lucido
Bright brass
- ⑨ Oro anodizzato
Anodized gold



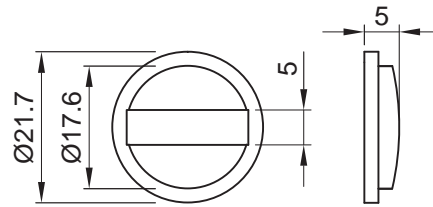
A0241
x Cisa



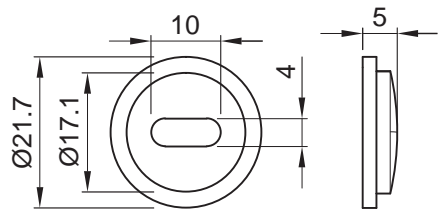
A0707



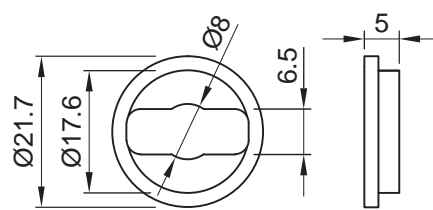
A1502
x Ikon



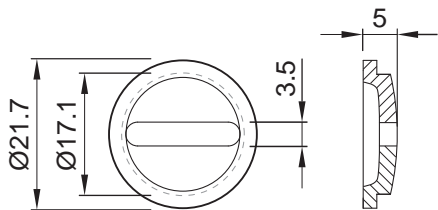
A0709



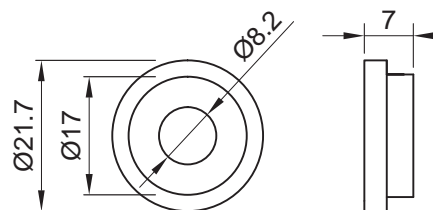
A1519
x Abloy



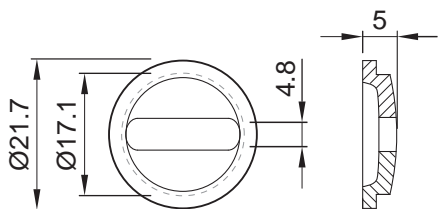
A1188
x Winkhaus



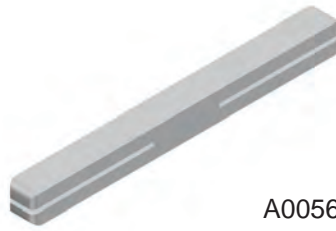
A1982



A3326
x Dom Diamant

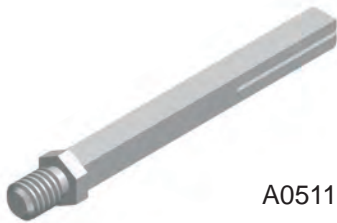


A1489



A0056....

7mm	X 60mm	A0056760	8mm	X 60mm	A0056860	9mm	X 60mm	A0056960
7mm	X 70mm	A0056780	8mm	X 70mm	A0542870	9mm	X 70mm	A0056970
7mm	X 80mm	A0056780	8mm	X 80mm	A0056880	9mm	X 80mm	A0056980
7mm	X 90mm	A0056790	8mm	X 90mm	A0056890	9mm	X 90mm	A0056990
7mm	X 120mm	A0056720						



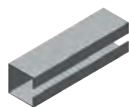
A0511....

7mm	X 60mm	A0511760	8mm	X 60mm	A0511860	9mm	X 60mm	A0511960
7mm	X 70mm	A0511780	8mm	X 70mm	A0511870	9mm	X 70mm	A0511970
7mm	X 80mm	A0511780	8mm	X 80mm	A0511880	9mm	X 80mm	A0511980
7mm	X 90mm	A0511790	8mm	X 90mm	A0511890	9mm	X 90mm	A0511990
7mm	X 120mm	A0511720						



A0542....

7mm	X 60mm	A0542760	8mm	X 60mm	A0542860	9mm	X 60mm	A0542960
7mm	X 70mm	A0542780	8mm	X 70mm	A0542870	9mm	X 70mm	A0542970
7mm	X 80mm	A0542780	8mm	X 80mm	A0542880	9mm	X 80mm	A0542980
7mm	X 90mm	A0542790	8mm	X 90mm	A0542890	9mm	X 90mm	A0542990
7mm	X 120mm							



A0512	7	→	8
A0128	8	→	9



A0454	M6 X 20
A0344	M8 X 20
A0126	M8 X 25



T

Cromo satinato
Satin chrome



iT

Inox satinato
Stainless steel



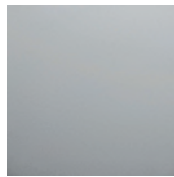
W

Bianco (RAL 9010)
White (RAL 9010)



6

Alluminio silver
Silver aluminium



C

Cromo lucido
Polished chrome



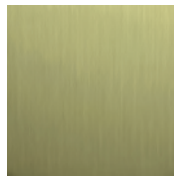
N

Nero
Black



9

Alluminio oro
Gold aluminium



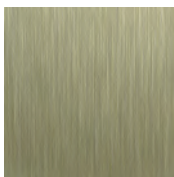
L

Ottone lucido
Polished brass



M

Marrone
Brown



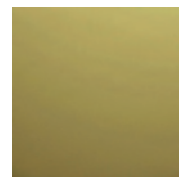
A

Alluminio champagne
Champagne aluminium



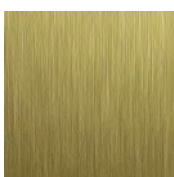
BS

Bronzo satinato
Satin bronze



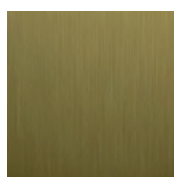
2

PVD ottone
PVD bright brass



TT

Ottone satinato
Satin brass

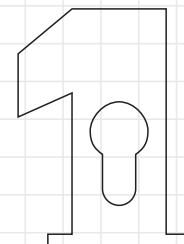
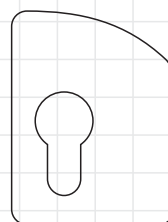
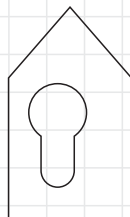
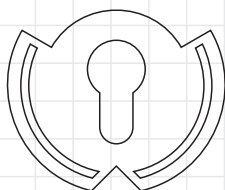
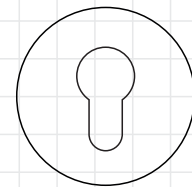
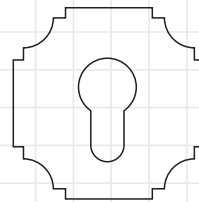
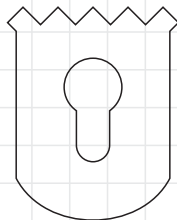
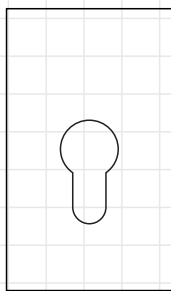
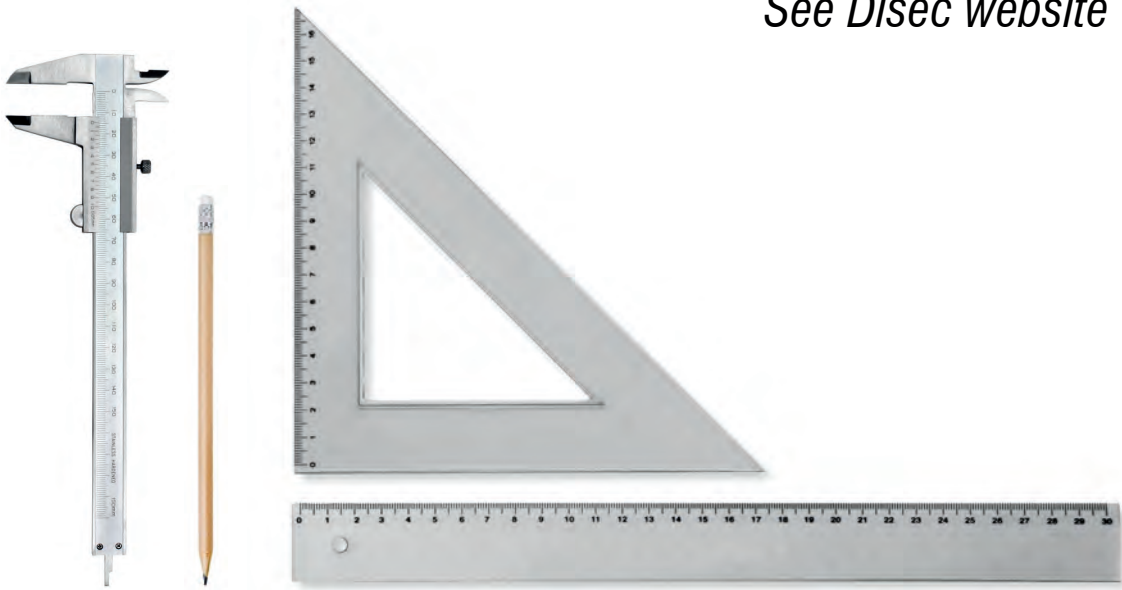


B

Bronzo
Bronze

PLACCHE PERSONALIZZATE
NUOVO SERVIZIO DISPONIBILE!
VEDI SITO DISEC

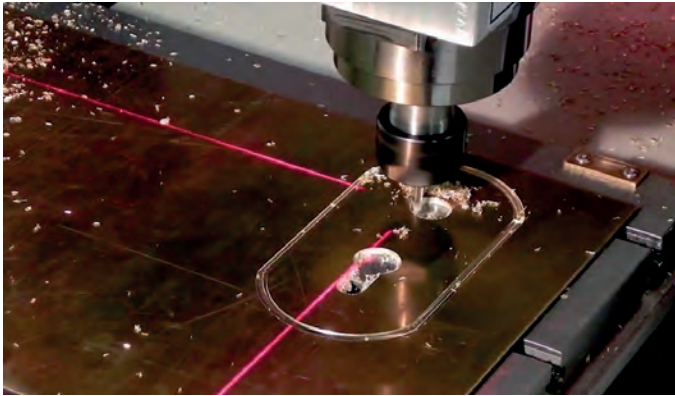
Customized plates
new service available!
See Disec website



PENCUTTER LINE



VIDEO:





CERTIFICAZIONE AZIENDALE

CERTIFICAZIONE AMBIENTALE



CERTIFICAZIONE PRODOTTI

SEGUICI SU



DISEC S.R.L.
PRODOTTI SICUREZZA

V. Enrico De Nicola 2
31058 Susegana | TV
+39.0438.453040
www.disec.it
disec@disec.it